

US00D902593S

(12) **United States Design Patent** (10) **Patent No.:** **US D902,593 S**
Roche et al. (45) **Date of Patent:** **** Nov. 24, 2020**

(54) **BOOT TRAY**

(71) Applicant: **TARGET BRANDS, INC.**,
Minneapolis, MN (US)

(72) Inventors: **Darcie Faye Roche**, Maple Grove, MN
(US); **Mary Amelia Kennedy**,
Minneapolis, MN (US)

(73) Assignee: **TARGET BRANDS, INC.**,
Minneapolis, MN (US)

(**) Term: **15 Years**

(21) Appl. No.: **29/692,452**

(22) Filed: **May 24, 2019**

(51) **LOC (12) Cl.** **03-01**

(52) **U.S. Cl.**
USPC **D3/304**

(58) **Field of Classification Search**
USPC D3/203.1, 203.6, 225, 218, 273, 302,
D3/304, 314, 200, 317, 318, 328;
206/503-506, 508, 510, 512, 514-515;
D30/161; D7/500, 550.1, 554.3, 601
CPC B65D 1/00; B65D 11/00; B65D 21/00;
B65D 1/34; B65D 1/36; B65D 85/00;
B65D 85/18; B65D 85/187
See application file for complete search history.

(56) **References Cited**

U.S. PATENT DOCUMENTS

3,113,680	A *	12/1963	Frater	B65D 21/048 211/126.4
3,647,078	A *	3/1972	Fortunato	A47F 5/0068 211/134
D249,185	S	8/1978	Carroll et al.		
4,151,917	A *	5/1979	Pugh	A47B 57/42 211/182
D278,563	S	4/1985	Howitt		
D280,583	S *	9/1985	Evenson	D6/574
D287,200	S *	12/1986	Gecchelin	D6/574

D305,190	S *	12/1989	Winter	D6/567
D321,931	S *	11/1991	Dierkes	D23/293.1
D333,581	S *	3/1993	Macsenti	D3/304
D351,889	S *	10/1994	Buchanan	D21/803
D378,561	S *	3/1997	Ferris	D7/359
D387,512	S *	12/1997	Bergman	D30/119
5,807,021	A	9/1998	Aaron		
D406,478	S *	3/1999	Rahman	D6/683
D422,389	S	4/2000	Gay		

(Continued)

OTHER PUBLICATIONS

“Boot Tray Green—Made in Garland Products Company”, printed from <https://global.rakuten.com/en/store/gmart/item/gld-g83g/>, publicly available at least as early as May 21, 2019 (20 pages).

(Continued)

Primary Examiner — Kelley A Donnelly

(74) *Attorney, Agent, or Firm* — JoAnn M. Seaton;
Griffiths & Seaton PLLC

(57) **CLAIM**

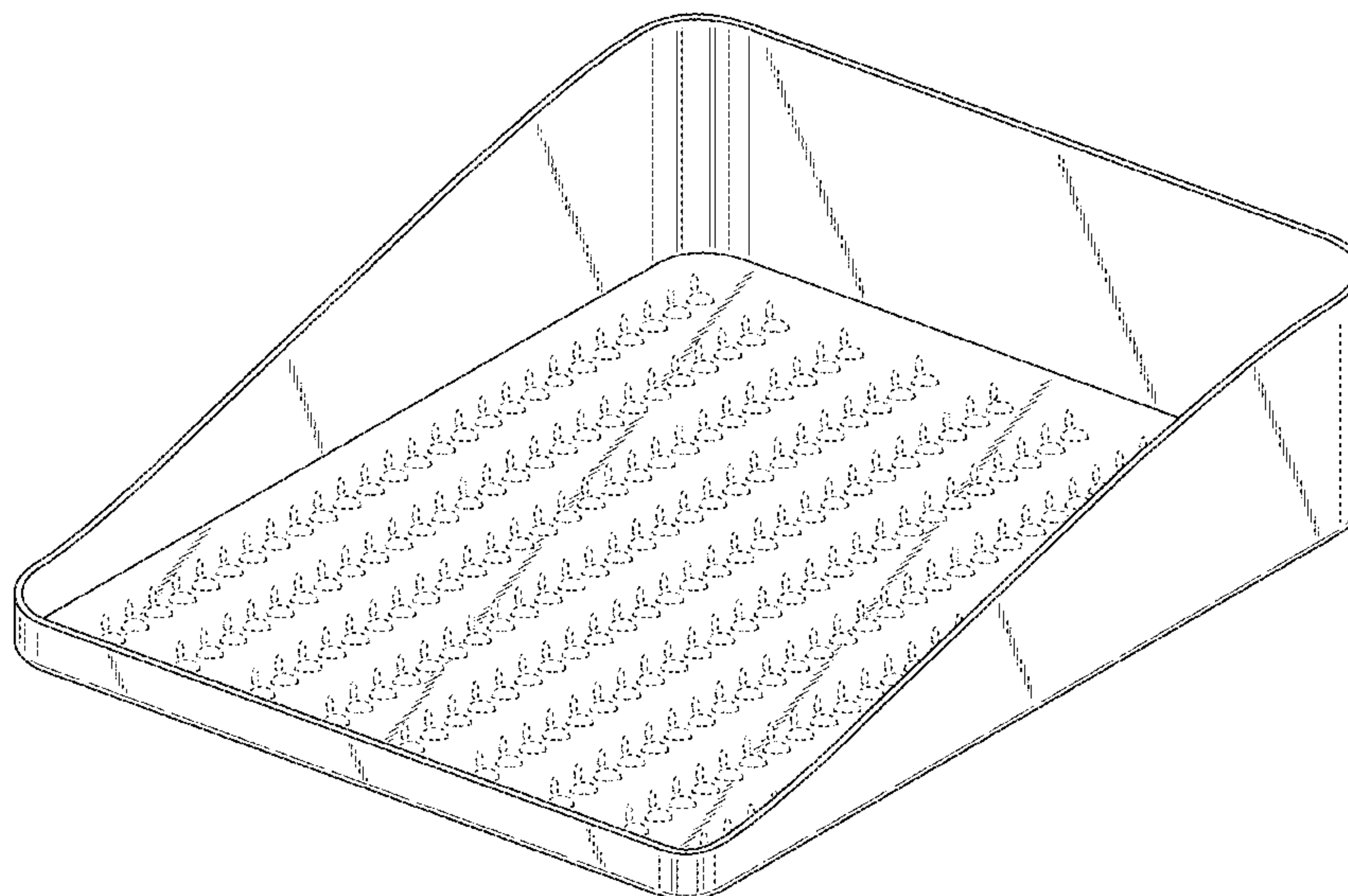
The ornamental design for a boot tray, as shown and described.

DESCRIPTION

FIG. 1 is a top and front perspective view of a boot tray, showing an embodiment of our new design;
FIG. 2 is a front view thereof;
FIG. 3 is a rear view thereof;
FIG. 4 is a right side view thereof, the left side view being a mirror image of the right side view;
FIG. 5 is a top view thereof; and,
FIG. 6 is a bottom view thereof.

In the drawings, the broken lines depict unclaimed subject matter only and form no part of the claimed design. The features shown in long dash-short dash bolded broken lines indicate the bounds of the claimed design and otherwise form no part of the claimed design.

1 Claim, 4 Drawing Sheets



(56)

References Cited

U.S. PATENT DOCUMENTS

D430,399 S 9/2000 Pawuk
 D441,336 S 5/2001 Hussaini et al.
 D454,533 S * 3/2002 Benson D12/425
 D458,884 S 6/2002 Kraines
 D469,047 S 1/2003 Kuo
 D482,183 S 11/2003 Hopping
 D506,067 S 6/2005 Moon et al.
 D523,186 S * 6/2006 Northrop D30/133
 D539,717 S 4/2007 Hussaini et al.
 D550,408 S * 9/2007 Willinger D30/133
 D577,647 S 9/2008 Hsu
 D582,190 S * 12/2008 Valiulis D6/567
 D583,562 S 12/2008 Ghiorghie
 D587,947 S * 3/2009 Valiulis D6/553
 D589,728 S * 4/2009 Shaha D3/304
 D594,230 S * 6/2009 Barkdoll D3/304
 D616,224 S 5/2010 Dye
 D627,285 S 11/2010 Hardy et al.
 D640,489 S * 6/2011 Tuholski D6/574
 D678,632 S * 3/2013 Chance D30/161
 D704,511 S * 5/2014 Beckman D7/552.2

D733,392 S 7/2015 Link et al.
 D745,781 S * 12/2015 Hsu D3/304
 D751,291 S 3/2016 MacNeil et al.
 D799,759 S * 10/2017 Elliott D30/161
 D804,848 S * 12/2017 Morin D6/582
 D826,480 S * 8/2018 Bohline D30/120
 D833,771 S * 11/2018 Gawlik D6/553
 10,159,361 B2 * 12/2018 Jolley A47F 5/114
 D864,362 S * 10/2019 Brandli D23/284
 D880,160 S * 4/2020 Hsu D3/304
 2008/0257780 A1 * 10/2008 Bancroft B65D 5/4204
 206/769
 2017/0042345 A1 * 2/2017 Jolley A47F 5/114
 2019/0021521 A1 * 1/2019 Kula A47B 57/404

OTHER PUBLICATIONS

“Marvelous Design Jeep Wrangler Floor Mats Rubber Slush World”,
 printed from <http://faithdunbar.com/35407/jeep-wrangler-floor-mats/marvelous-...1>, publicly available at least as early as Apr. 17, 2019
 (3 pages).

* cited by examiner

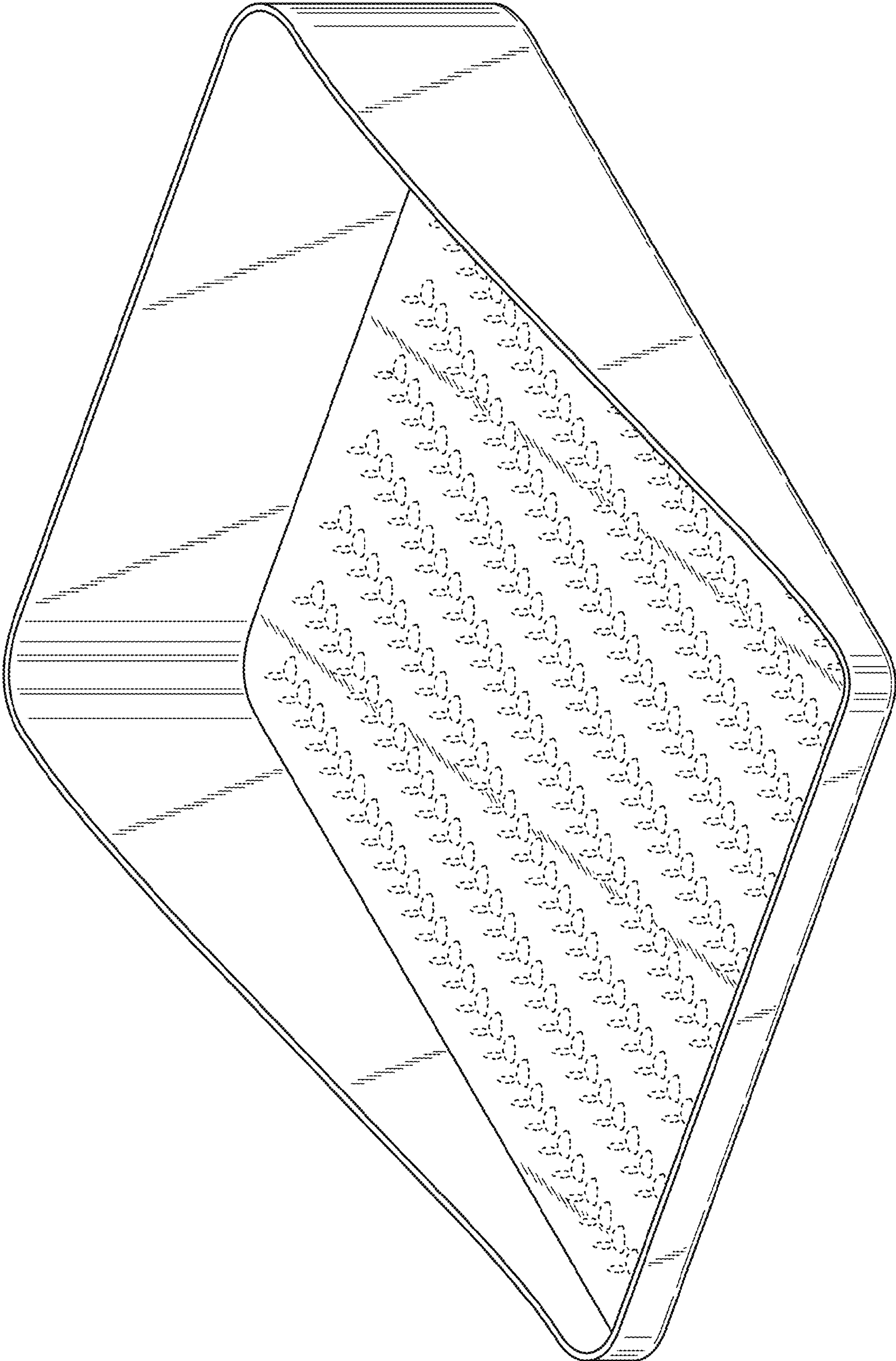


FIG. 1

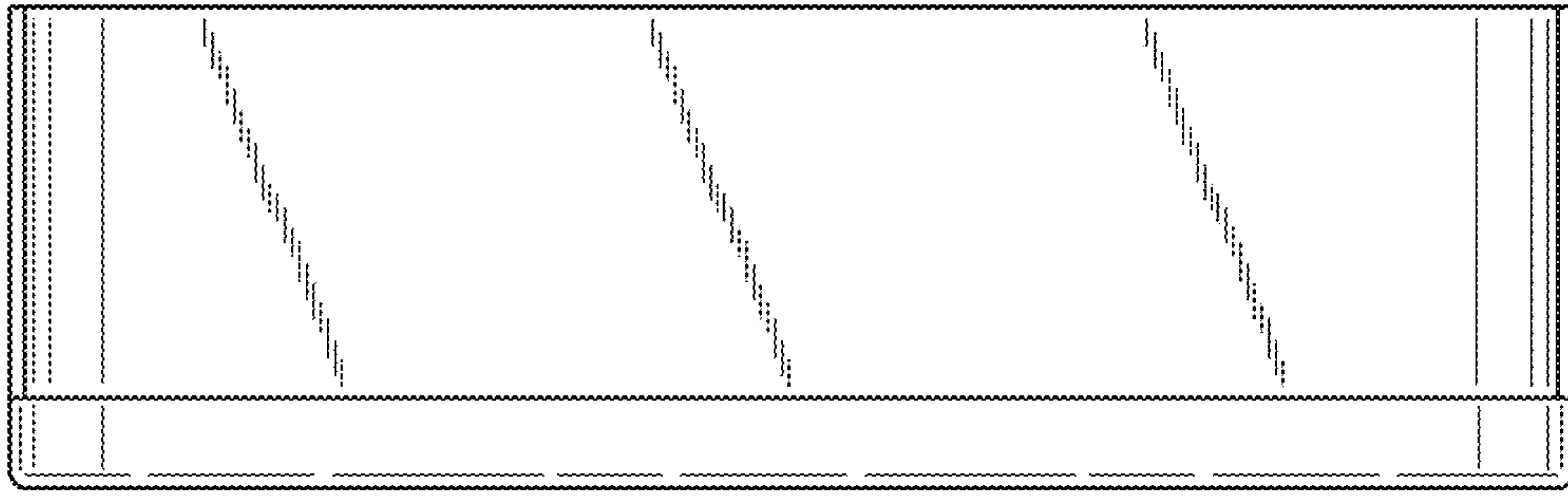


FIG. 2

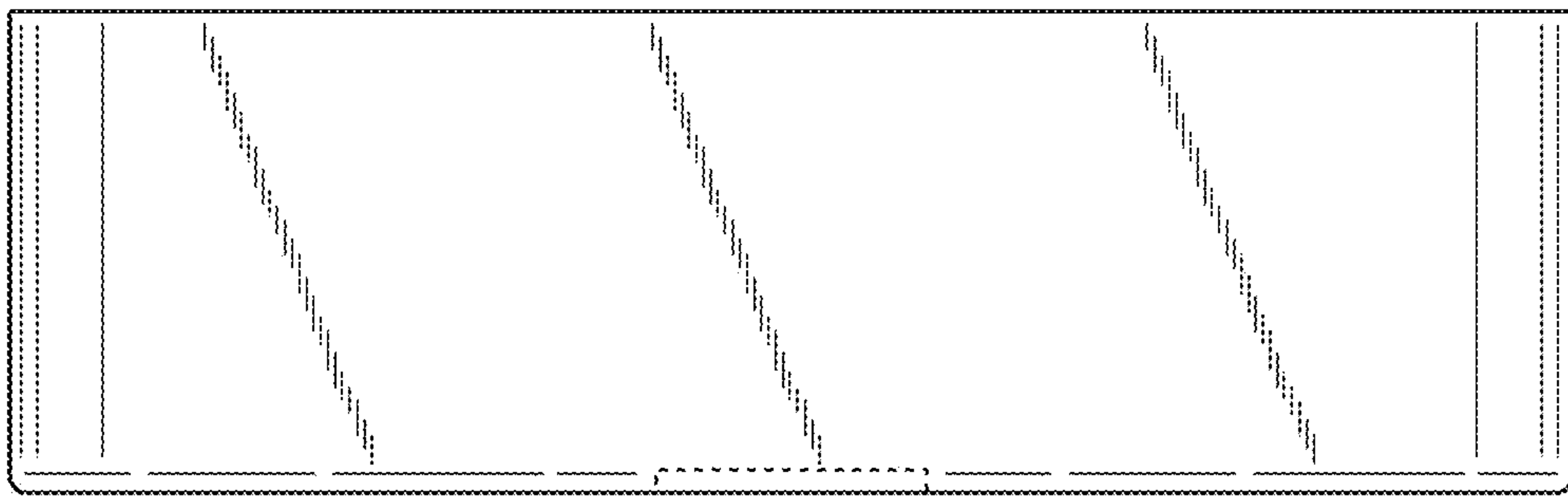


FIG. 3

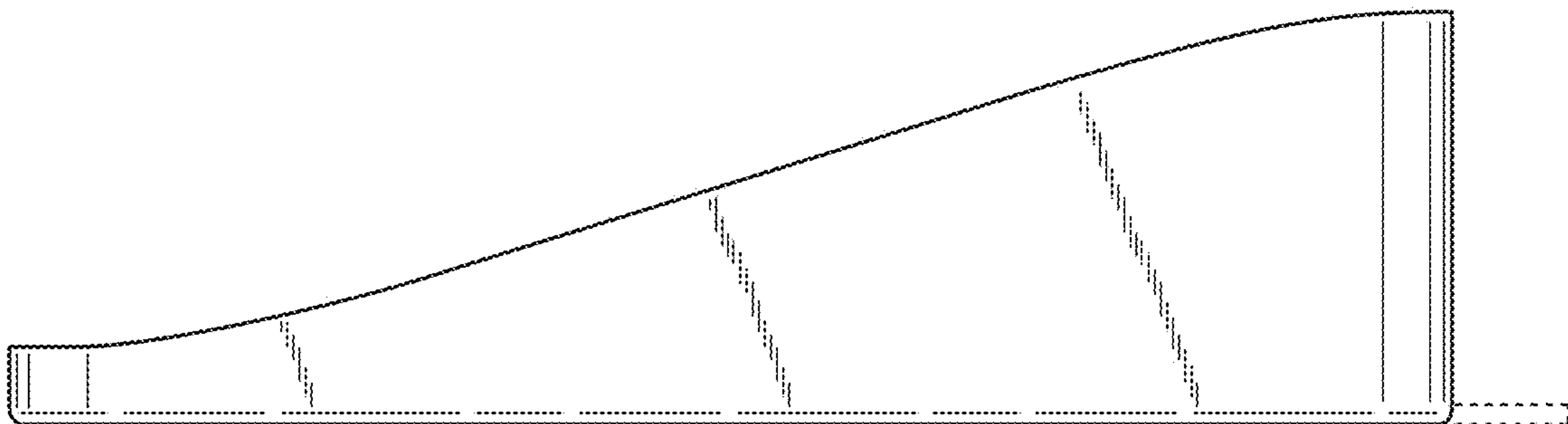


FIG. 4

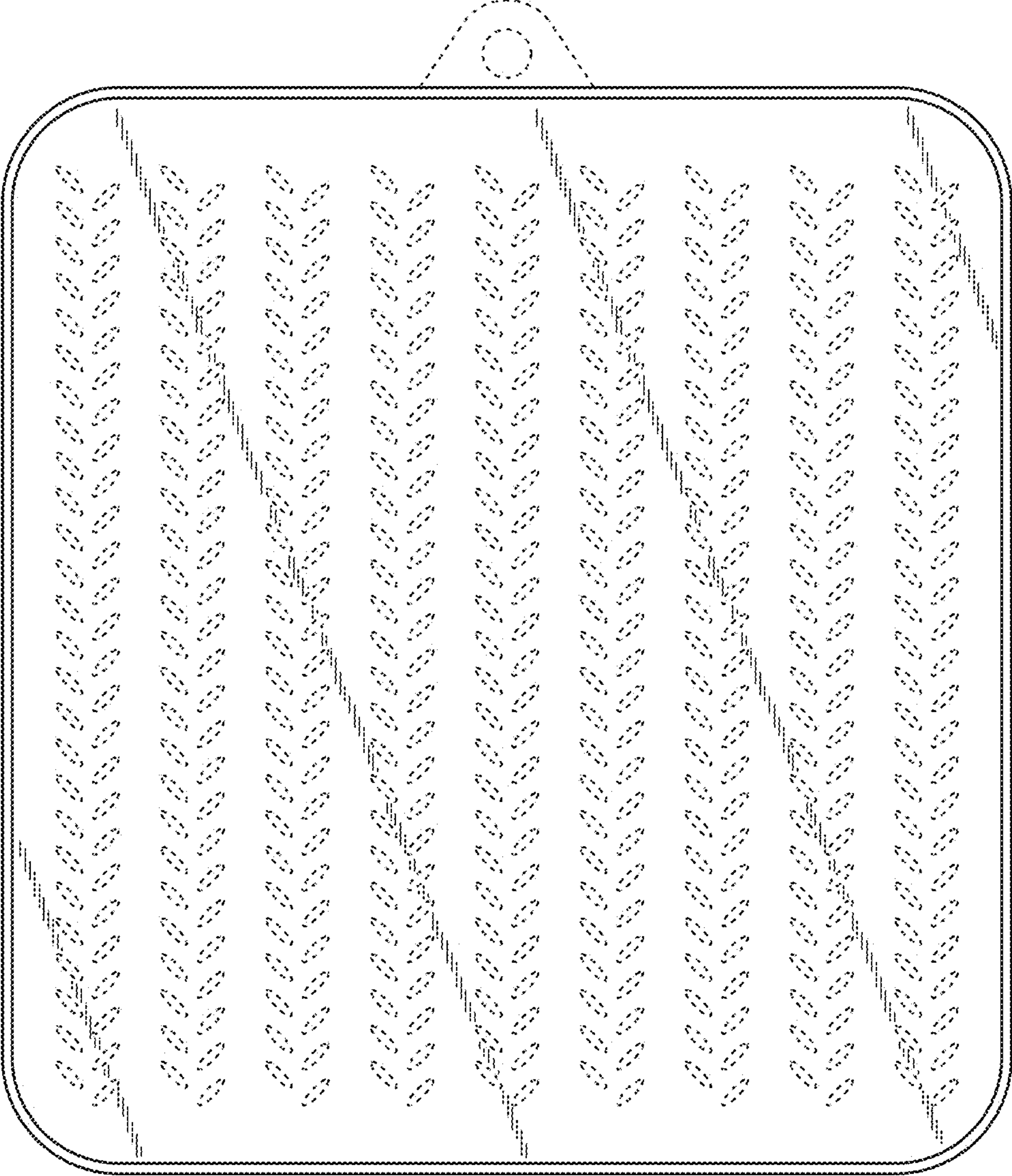


FIG. 5

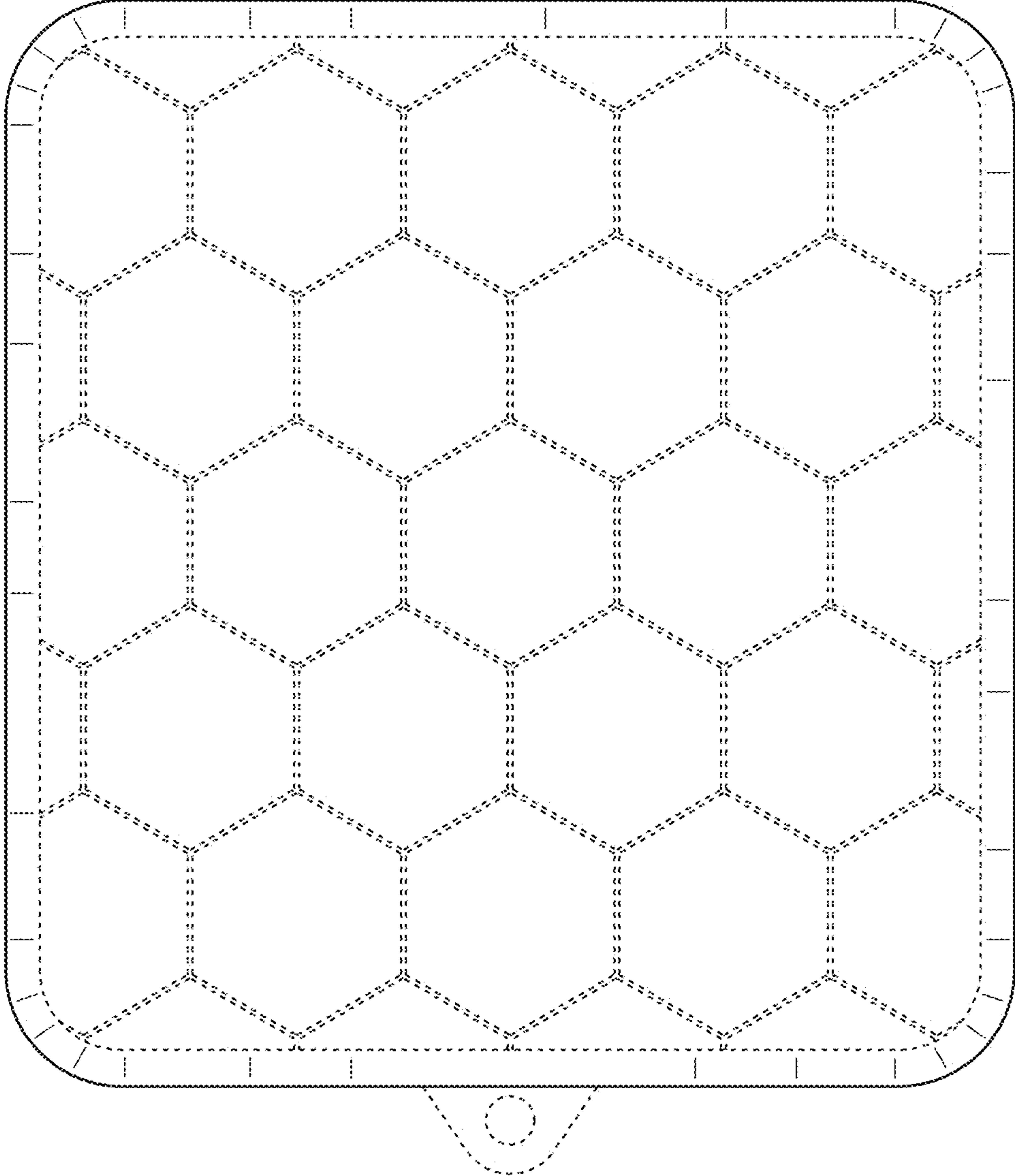


FIG. 6