



US00D902592S

(12) **United States Design Patent**
Kim et al.

(10) **Patent No.:** **US D902,592 S**

(45) **Date of Patent:** **** Nov. 24, 2020**

(54) **TOY STORAGE BIN**
(71) Applicants: **Sunny Kim**, Douglaston, NY (US);
Beth Steenwyk, Detroit, MI (US)
(72) Inventors: **Sunny Kim**, Douglaston, NY (US);
Beth Steenwyk, Detroit, MI (US)
(73) Assignee: **Helen of Troy Limited**, St. Michael
(BB)

D640,882 S * 7/2011 Zack D6/390
D667,634 S * 9/2012 Link D3/315
D674,224 S * 1/2013 Connelly D6/525
D704,432 S * 5/2014 Askaroff D3/213
D710,612 S * 8/2014 Kolano D3/309
D725,911 S * 4/2015 McManus D3/315
D728,938 S * 5/2015 Vaccarella A45C 13/30
D3/304
D731,187 S * 6/2015 Thompson D3/315
D742,278 S * 11/2015 Wu D11/143
D765,398 S * 9/2016 Vaccarella A45C 3/04
D3/304
D775,465 S * 1/2017 Aller D3/304
D862,882 S * 10/2019 Hicks D3/304
2014/0367397 A1 * 12/2014 Audet D06F 95/002
220/668

(**) Term: **15 Years**

(21) Appl. No.: **29/686,623**

(22) Filed: **Apr. 5, 2019**

(51) **LOC (12) Cl.** **03-01**

(52) **U.S. Cl.**
USPC **D3/304**

(58) **Field of Classification Search**
USPC D6/512–514, 672–674, 682–682.1;
D7/601; D3/304–315
CPC ... B65D 1/00; B65D 1/22; B65D 1/38; B65D
11/00
See application file for complete search history.

* cited by examiner

Primary Examiner — Kelley A Donnelly
(74) *Attorney, Agent, or Firm* — Rankin, Hill & Clark
LLP

(57) **CLAIM**

The ornamental design for a toy storage bin, as shown, and described.

DESCRIPTION

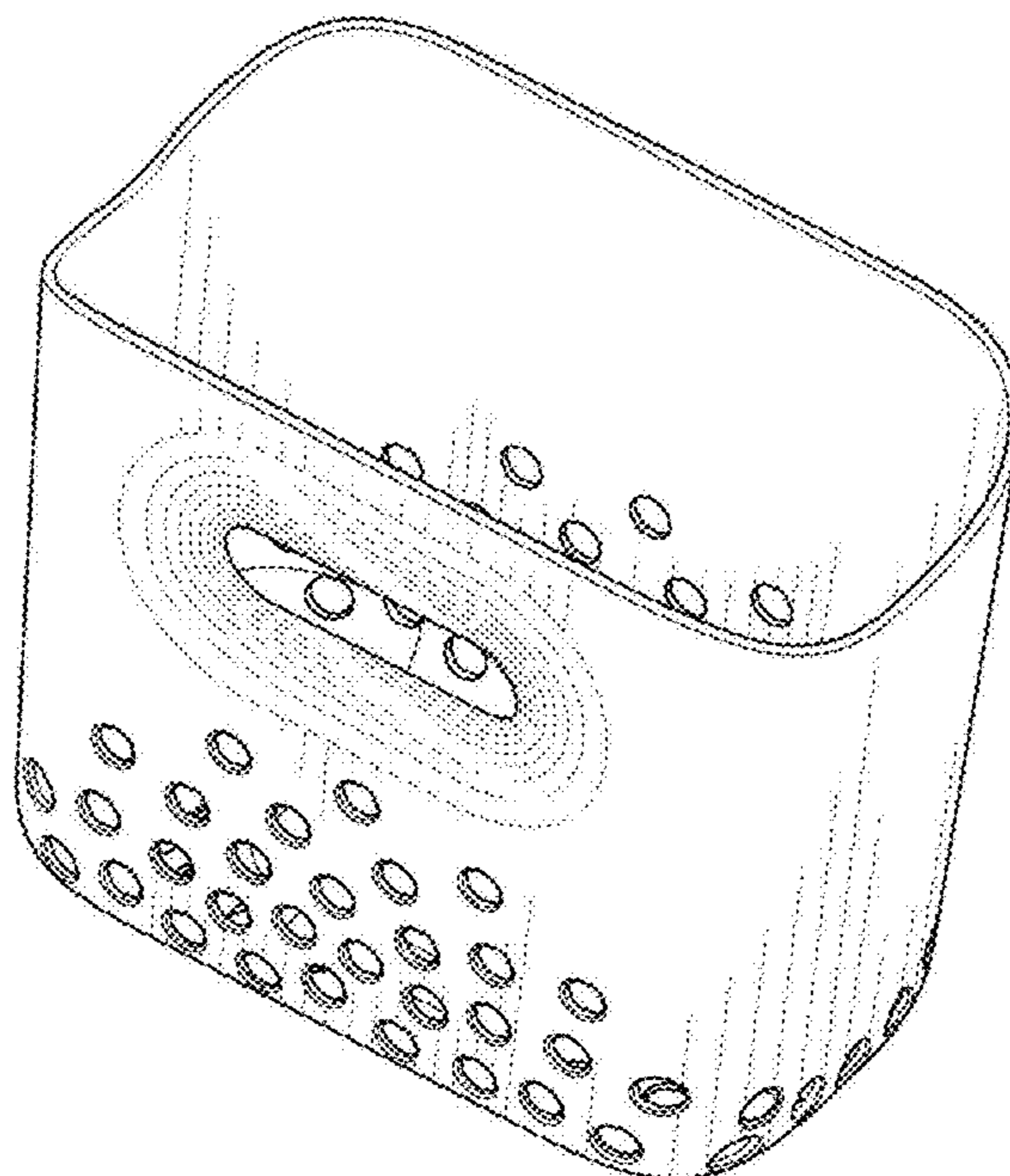
FIG. 1 is a perspective view of a toy storage bin;
FIG. 2 is a front view thereof;
FIG. 3 is a rear view thereof;
FIG. 4 is a right elevation view thereof;
FIG. 5 is a left elevation view thereof;
FIG. 6 is a top plan view thereof;
FIG. 7 is a bottom plan view thereof; and,
FIG. 8 is a perspective view thereof in a use environment.
The broken lines represent unclaimed matter and form no part of the claimed design.

(56) **References Cited**

U.S. PATENT DOCUMENTS

3,342,343 A * 9/1967 Youlden A47K 17/00
211/88.01
D265,152 S * 6/1982 Bruno D6/525
D404,203 S * 1/1999 Maier-Aichen D3/245
D481,894 S * 11/2003 Hunt D6/525
D483,586 S * 12/2003 Snell D6/525
D483,587 S * 12/2003 Snell D6/525
D484,699 S * 1/2004 Enright D3/307
D485,306 S * 1/2004 Sheldon D19/77
D584,506 S * 1/2009 Brazzell D3/234
D636,201 S * 4/2011 Kolano D6/553

1 Claim, 8 Drawing Sheets



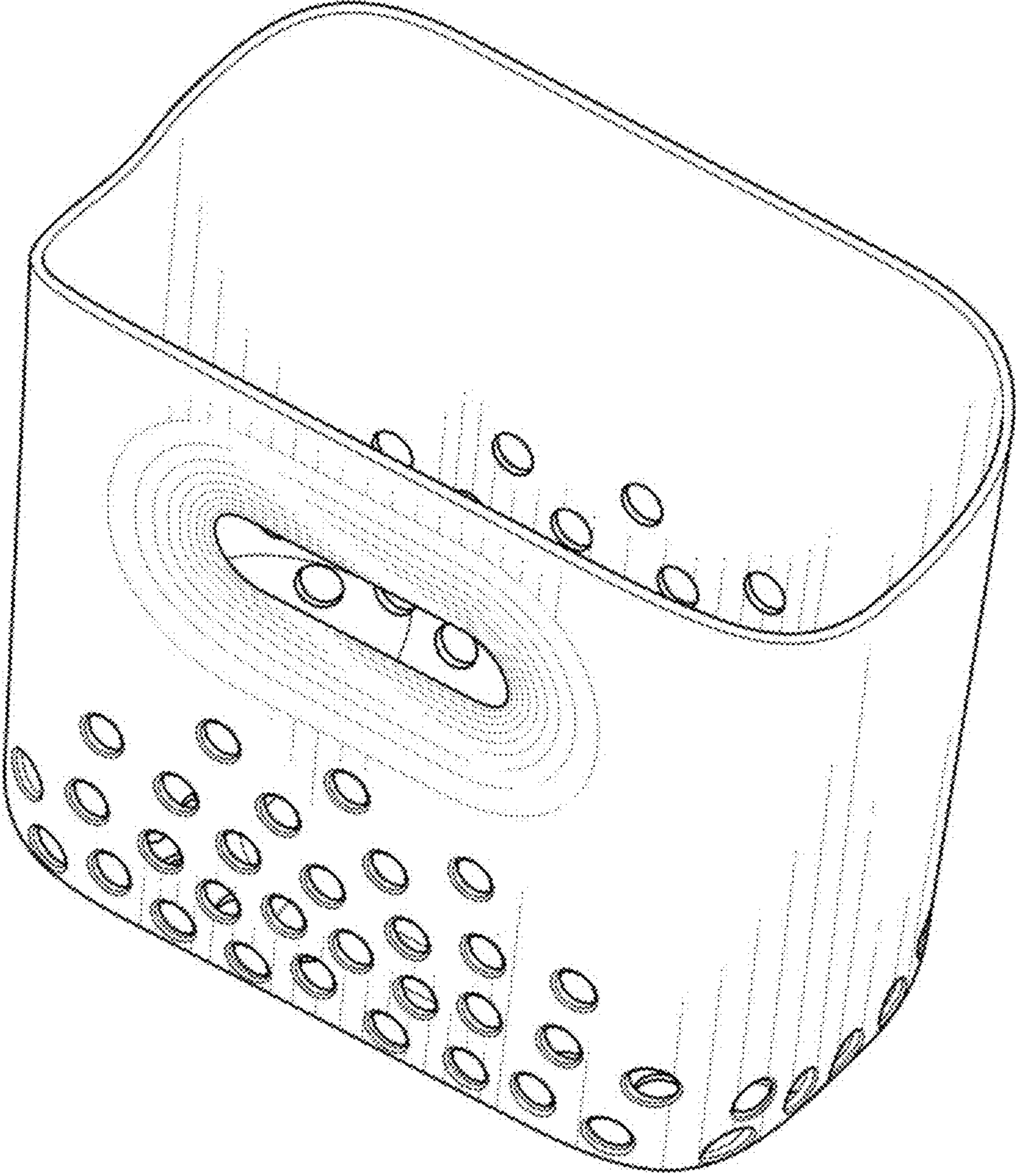


FIG. 1

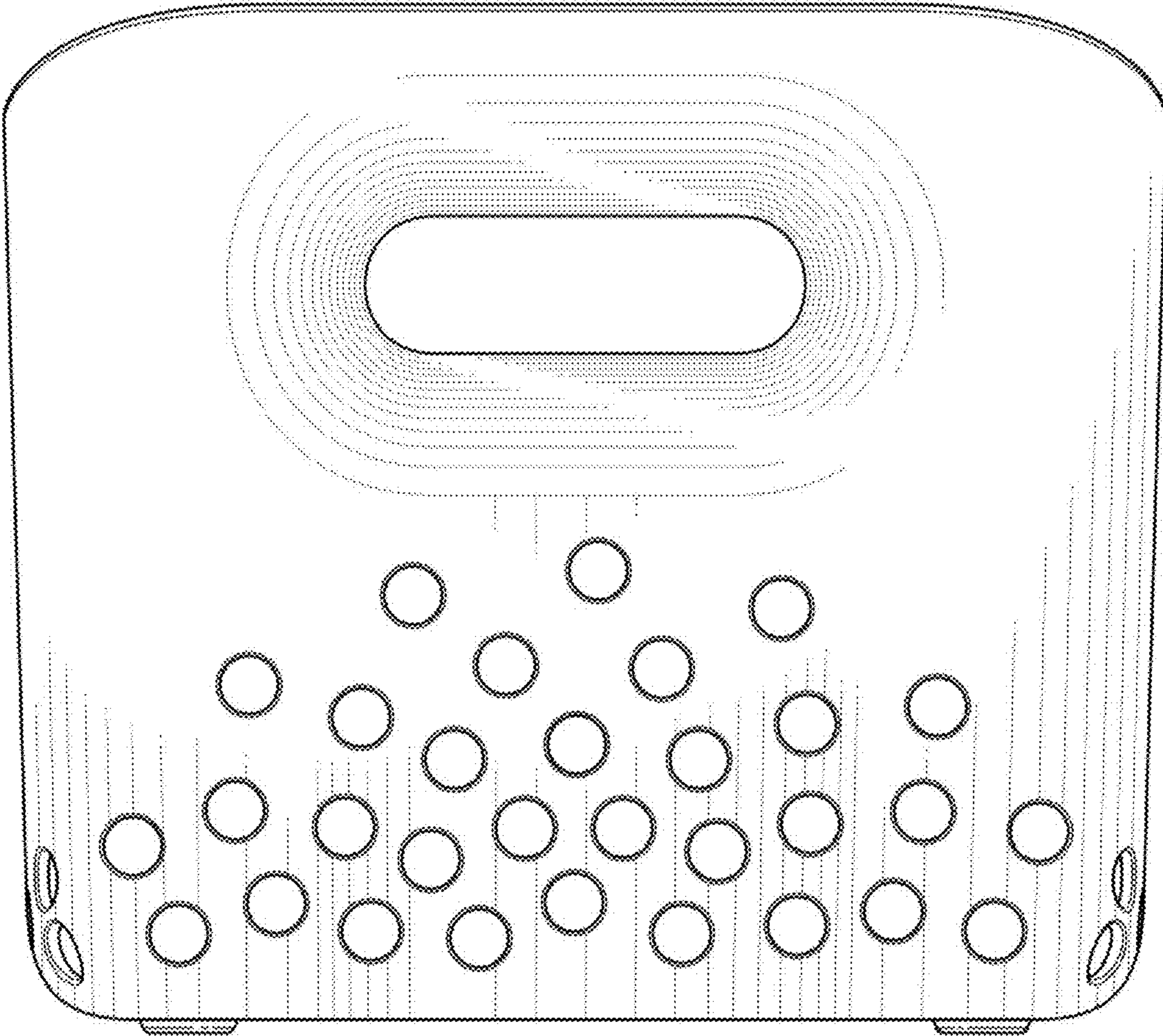


FIG. 2

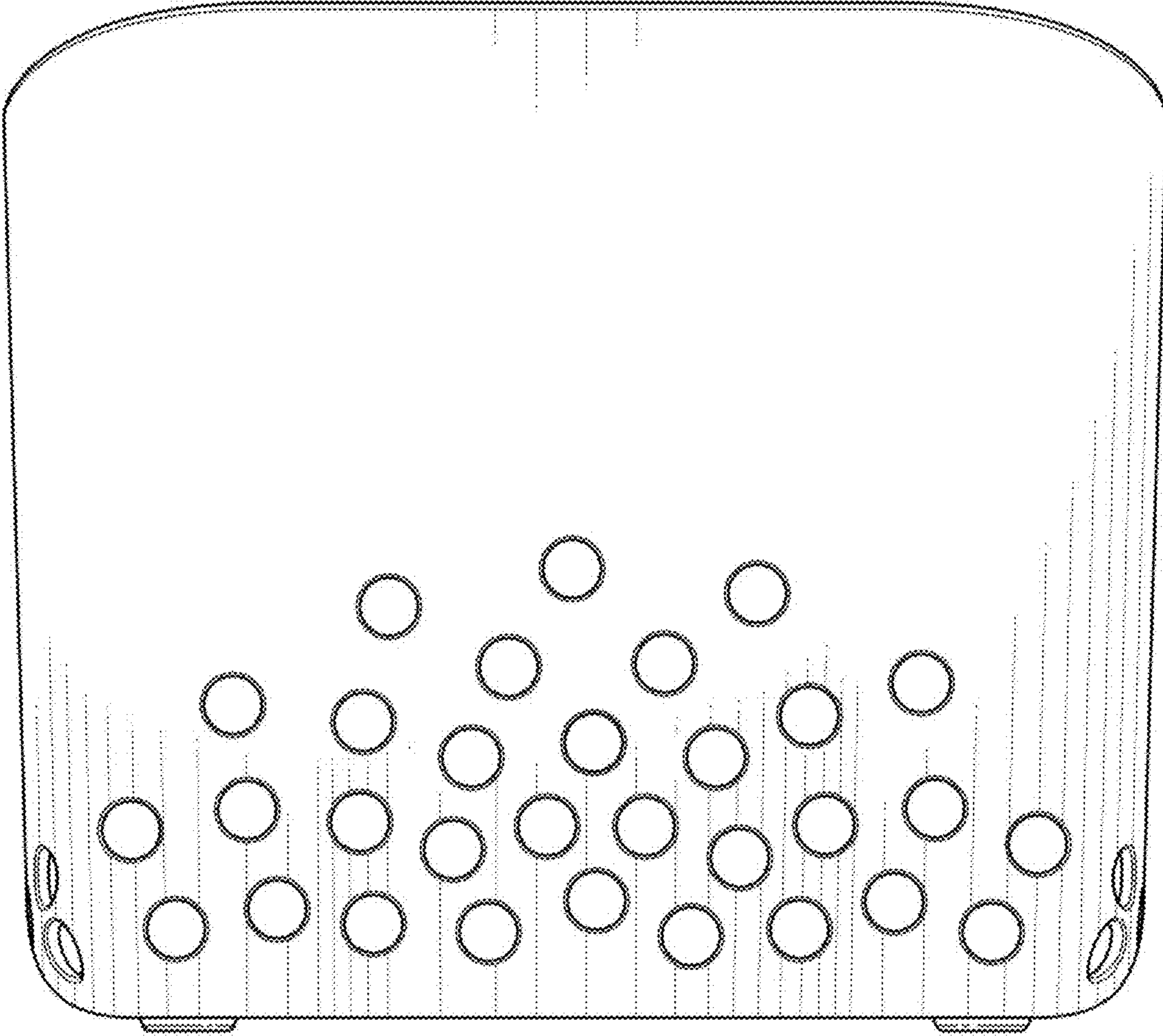


FIG. 3

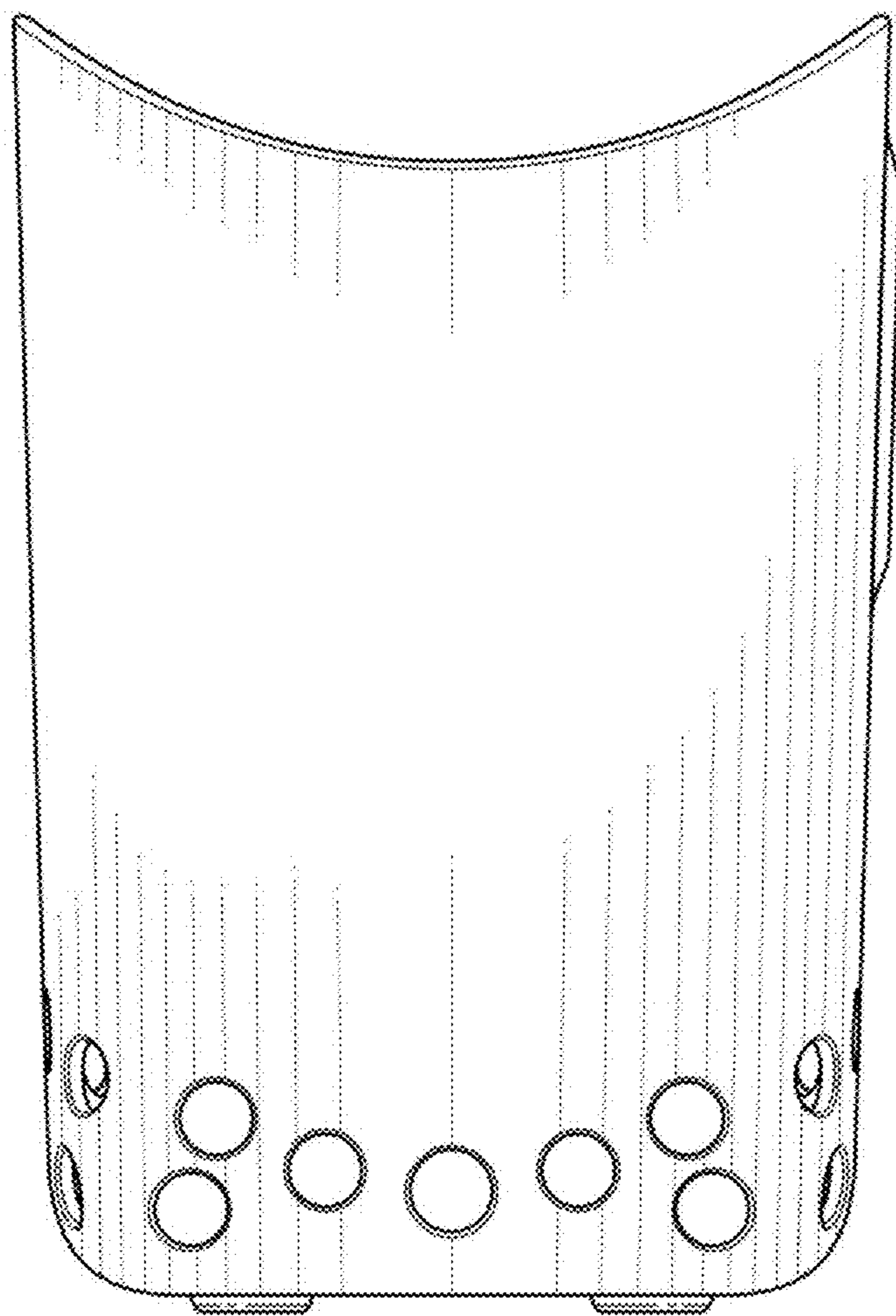


FIG. 4

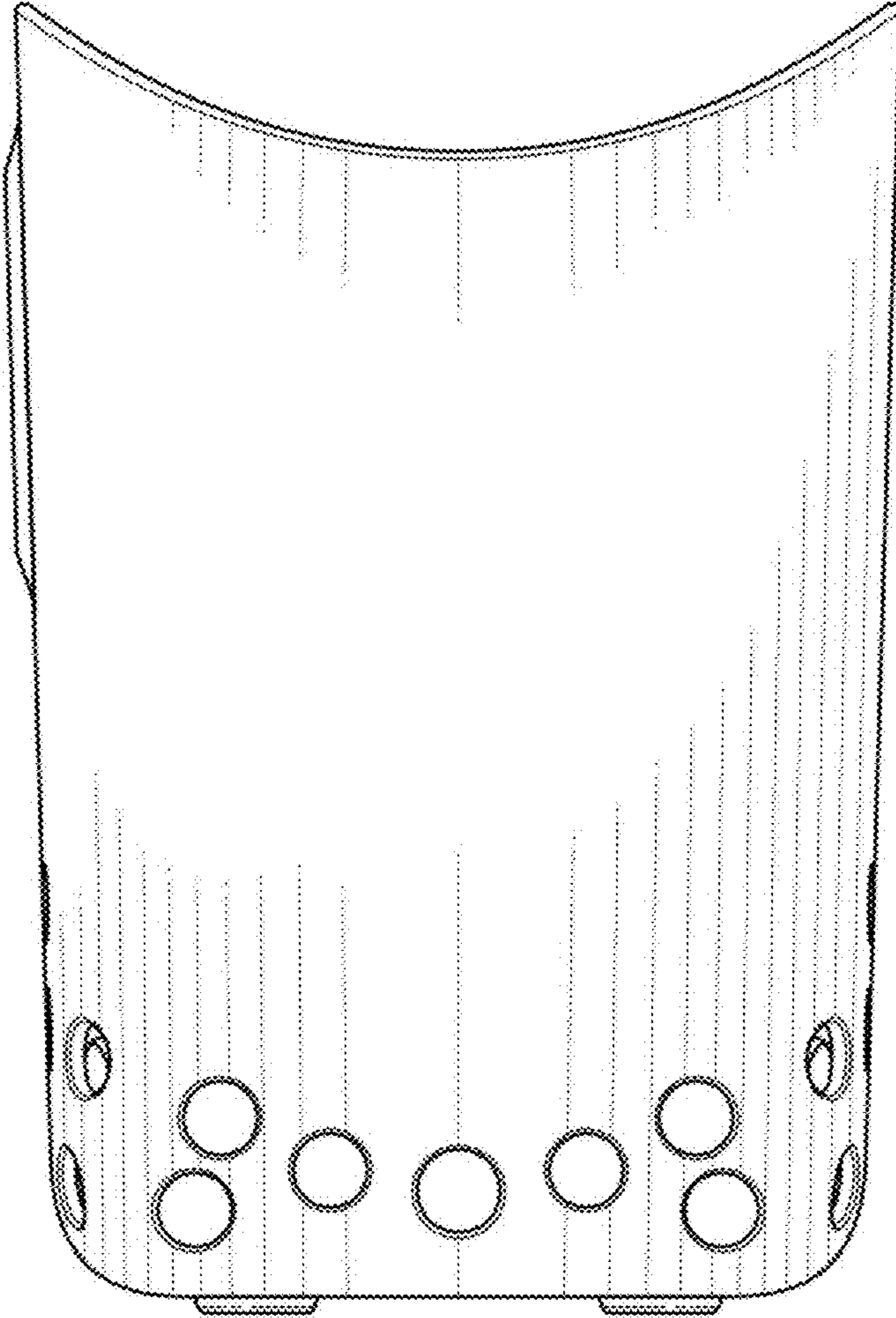


FIG. 5

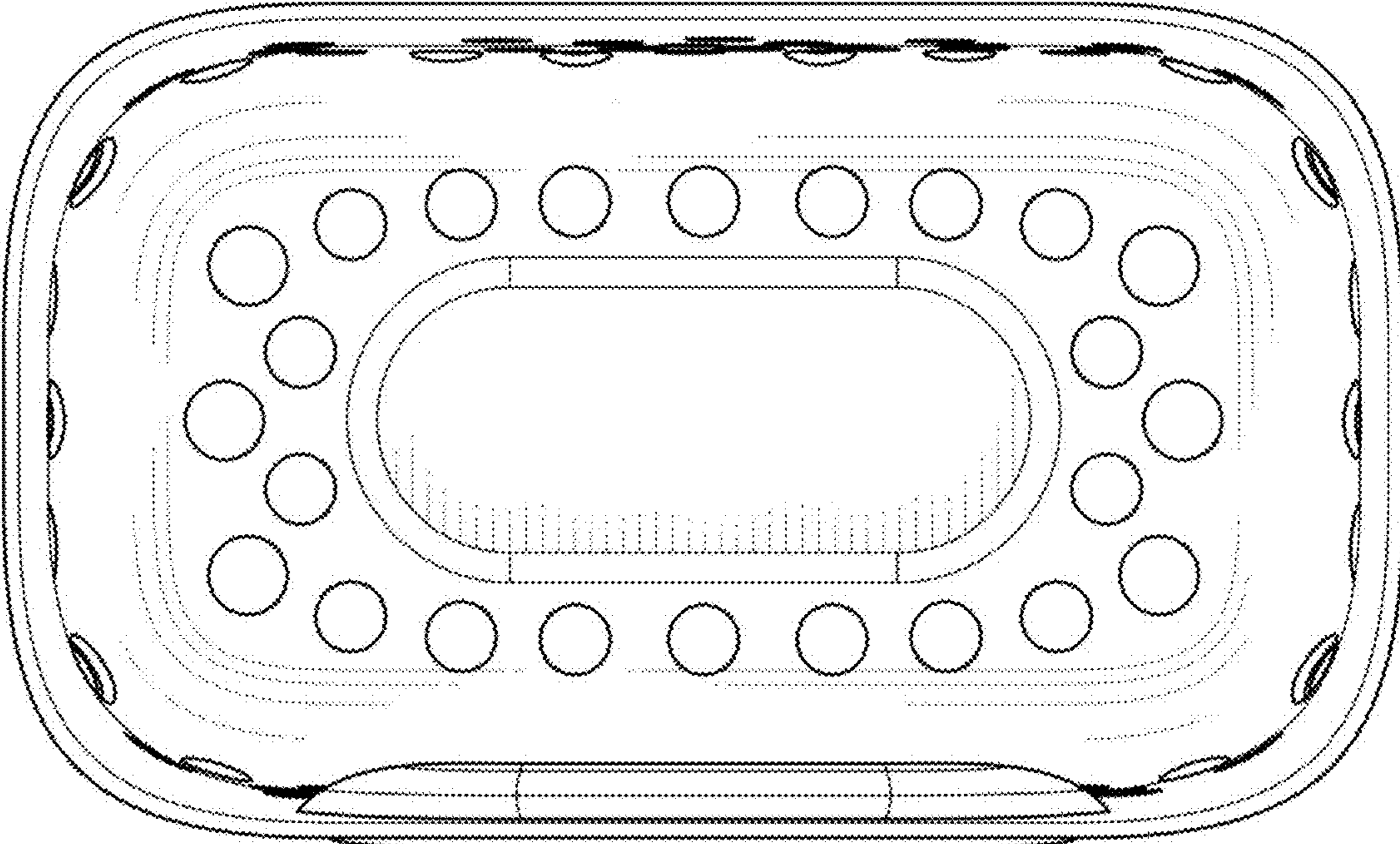


FIG. 6

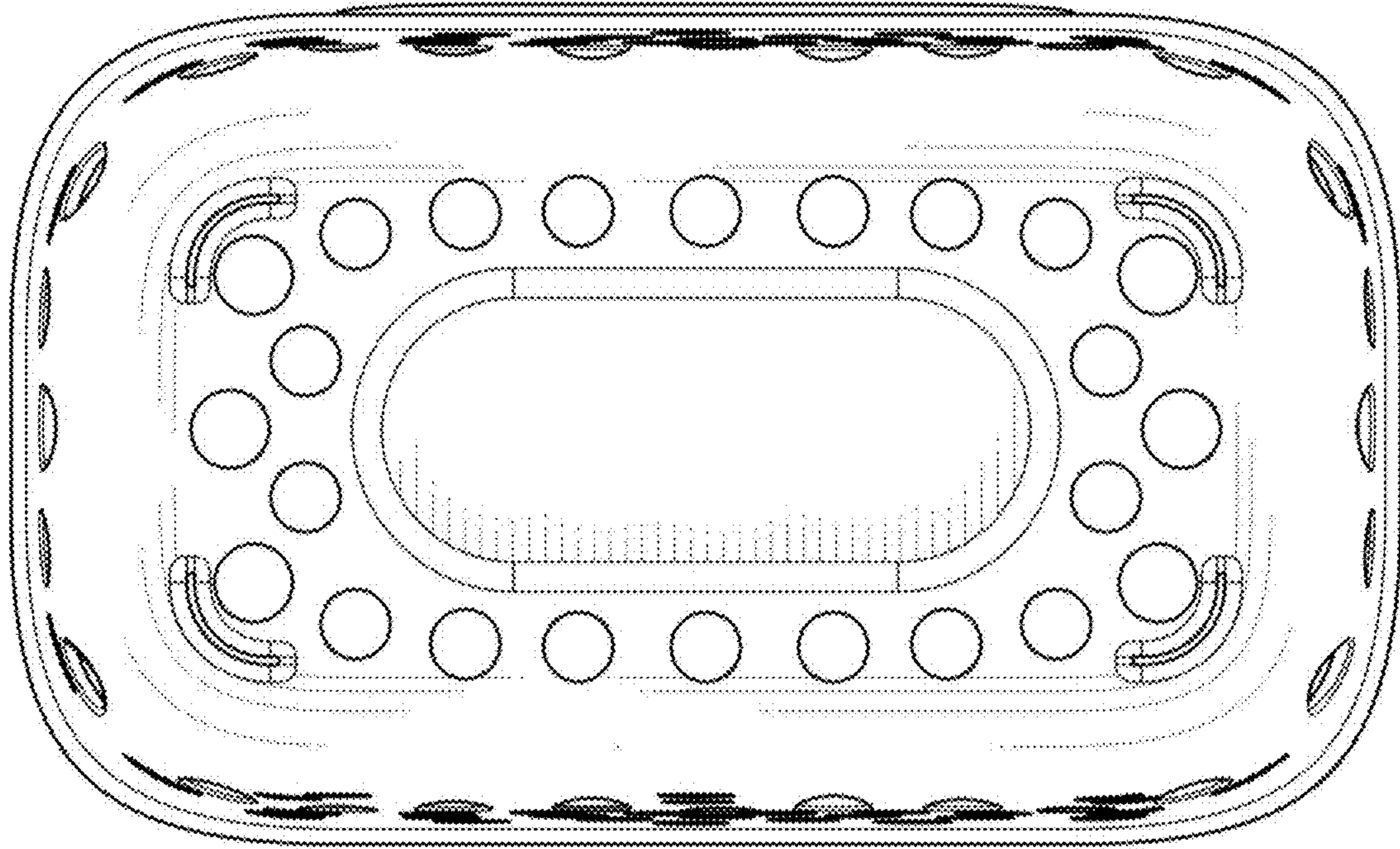


FIG. 7

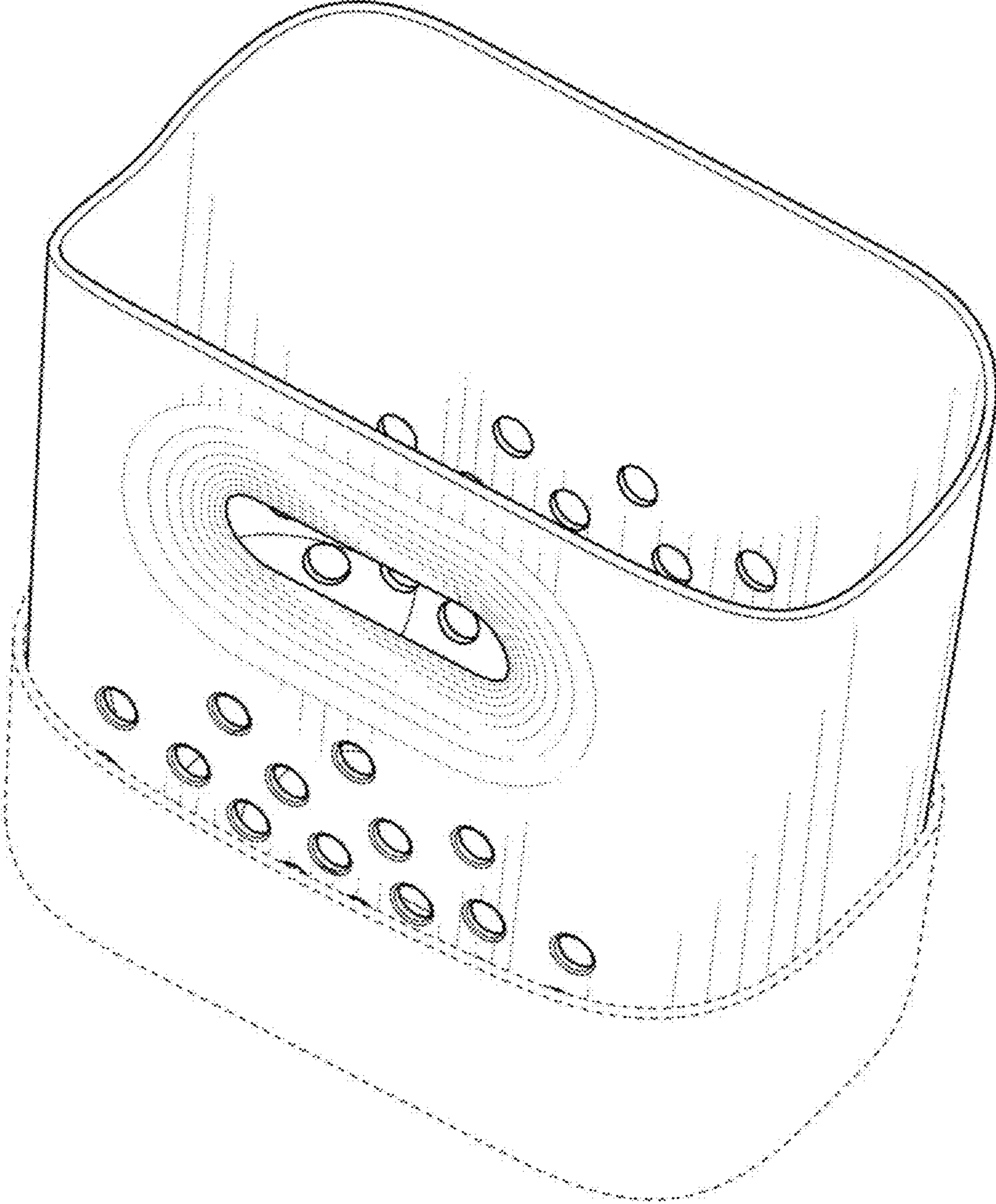


FIG. 8