



US00D902590S

(12) **United States Design Patent** (10) **Patent No.:** **US D902,590 S**  
**Case et al.** (45) **Date of Patent:** **\*\* \*Nov. 24, 2020**

- (54) **WATERPROOF POUCH**
- (71) Applicant: **Nite Ize, Inc.**, Boulder, CO (US)
- (72) Inventors: **Rick Case**, Boulder, CO (US); **Michael C. Boyd**, Boulder, CO (US); **Bowden Ormsbee**, Longmont, CO (US); **Dale Karacostas**, Boulder, CO (US); **Clint Todd**, Boulder, CO (US); **Carley Mulder**, Boulder, CO (US)
- (73) Assignee: **Nite Ize, Inc.**, Boulder, CO (US)
- (\*) Notice: This patent is subject to a terminal disclaimer.
- (\*\*) Term: **15 Years**
- (21) Appl. No.: **29/672,456**
- (22) Filed: **Dec. 5, 2018**
- (51) **LOC (12) Cl.** ..... **03-01**
- (52) **U.S. Cl.**  
USPC ..... **D3/303**
- (58) **Field of Classification Search**  
USPC ..... D3/247, 249–253, 300, 303; D2/857, D2/864  
CPC ..... A45F 5/022; A41D 27/20; A41D 27/204; A45C 1/06; A45C 3/08  
See application file for complete search history.

(56) **References Cited**

**U.S. PATENT DOCUMENTS**

|              |         |          |       |        |
|--------------|---------|----------|-------|--------|
| D262,753 S * | 1/1982  | Salata   | ..... | D3/319 |
| D402,105 S * | 12/1998 | Erickson | ..... | D3/215 |
| D489,180 S * | 5/2004  | Kramer   | ..... | D3/303 |
| D545,217 S * | 6/2007  | Jeric    | ..... | D9/709 |
| D702,043 S * | 4/2014  | Johnson  | ..... | D3/247 |
| D709,700 S * | 7/2014  | Nunez    | ..... | D3/303 |
| D709,701 S * | 7/2014  | Coleman  | ..... | D3/303 |
| D710,106 S * | 8/2014  | Coleman  | ..... | D3/303 |
| D713,644 S * | 9/2014  | Johnson  | ..... | D3/303 |

|                   |         |          |       |                       |
|-------------------|---------|----------|-------|-----------------------|
| D751,815 S *      | 3/2016  | Pedrazzi | ..... | D3/245                |
| D807,640 S *      | 1/2018  | Goldszer | ..... | D3/303                |
| D855,995 S *      | 8/2019  | Case     | ..... | D3/323                |
| D865,363 S *      | 11/2019 | Liu      | ..... | D3/303                |
| 2003/0185466 A1 * | 10/2003 | Edelman  | ..... | B65D 33/2591<br>383/5 |

**OTHER PUBLICATIONS**

RunOff Waterproof Wallet, posted at supplycache.com, no posting date, retrieved Aug. 2, 2020, online, URL:https://www.supplycache.com/products/runoff-waterproof-wallet-nite-ize (Year: 2020).\*

\* cited by examiner

*Primary Examiner* — Lilyana Bekic

*Assistant Examiner* — Mary Shannon Malley

(74) *Attorney, Agent, or Firm* — Haynes and Boone, LLP

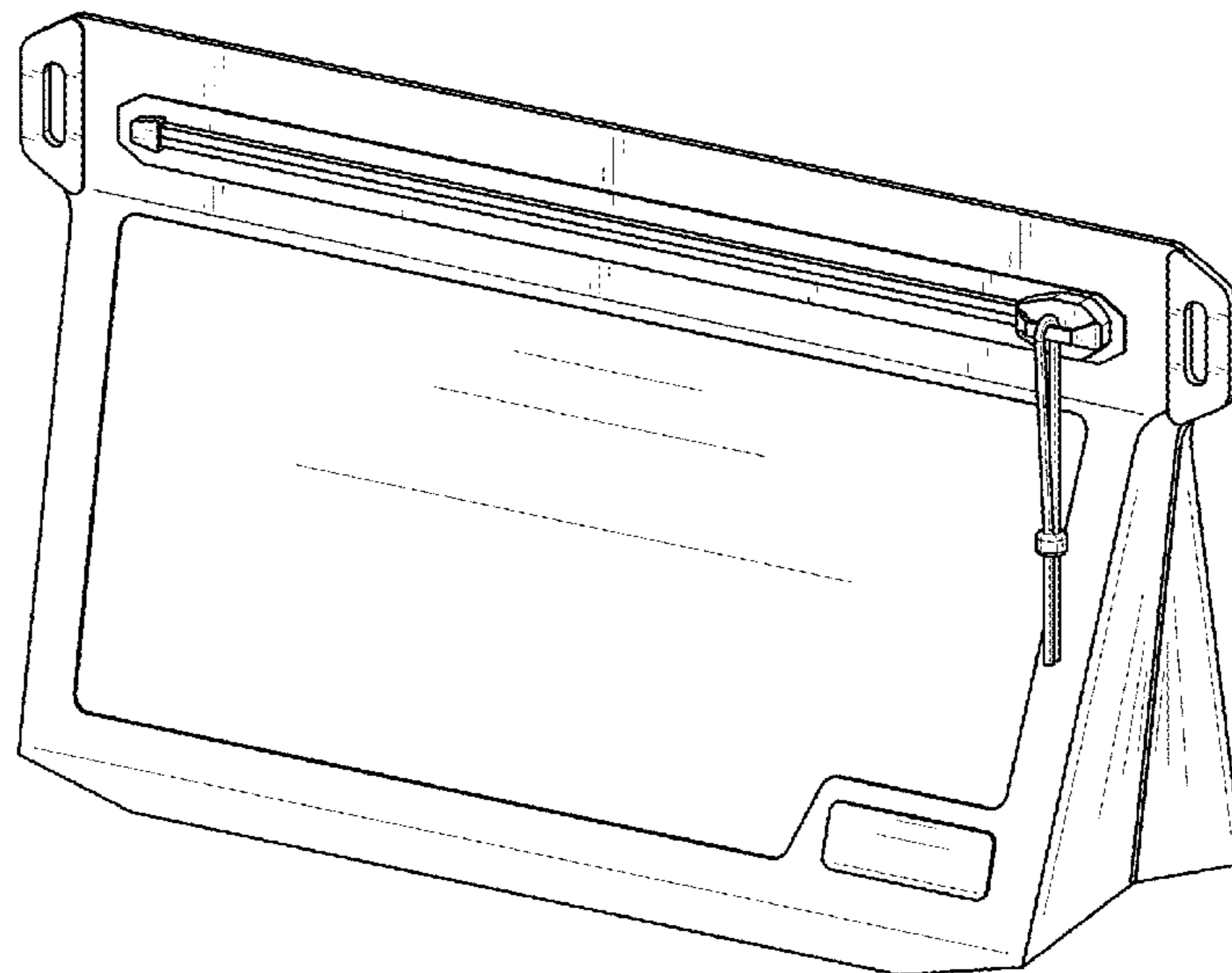
(57) **CLAIM**

The ornamental design for the waterproof pouch, as shown and described.

**DESCRIPTION**

FIG. 1 shows a front perspective view of a waterproof pouch;  
 FIG. 2 shows a rear perspective view of the waterproof pouch of FIG. 1;  
 FIG. 3 shows a front view of the waterproof pouch of FIG. 1;  
 FIG. 4 shows a rear view of the waterproof pouch of FIG. 1;  
 FIG. 5 shows a right-side view of the waterproof pouch of FIG. 1;  
 FIG. 6 shows a left-side view of the waterproof pouch of FIG. 1;  
 FIG. 7 shows a top view of the waterproof pouch of FIG. 1;  
 and,  
 FIG. 8 shows a bottom view of the waterproof pouch of FIG. 1.

**1 Claim, 8 Drawing Sheets**



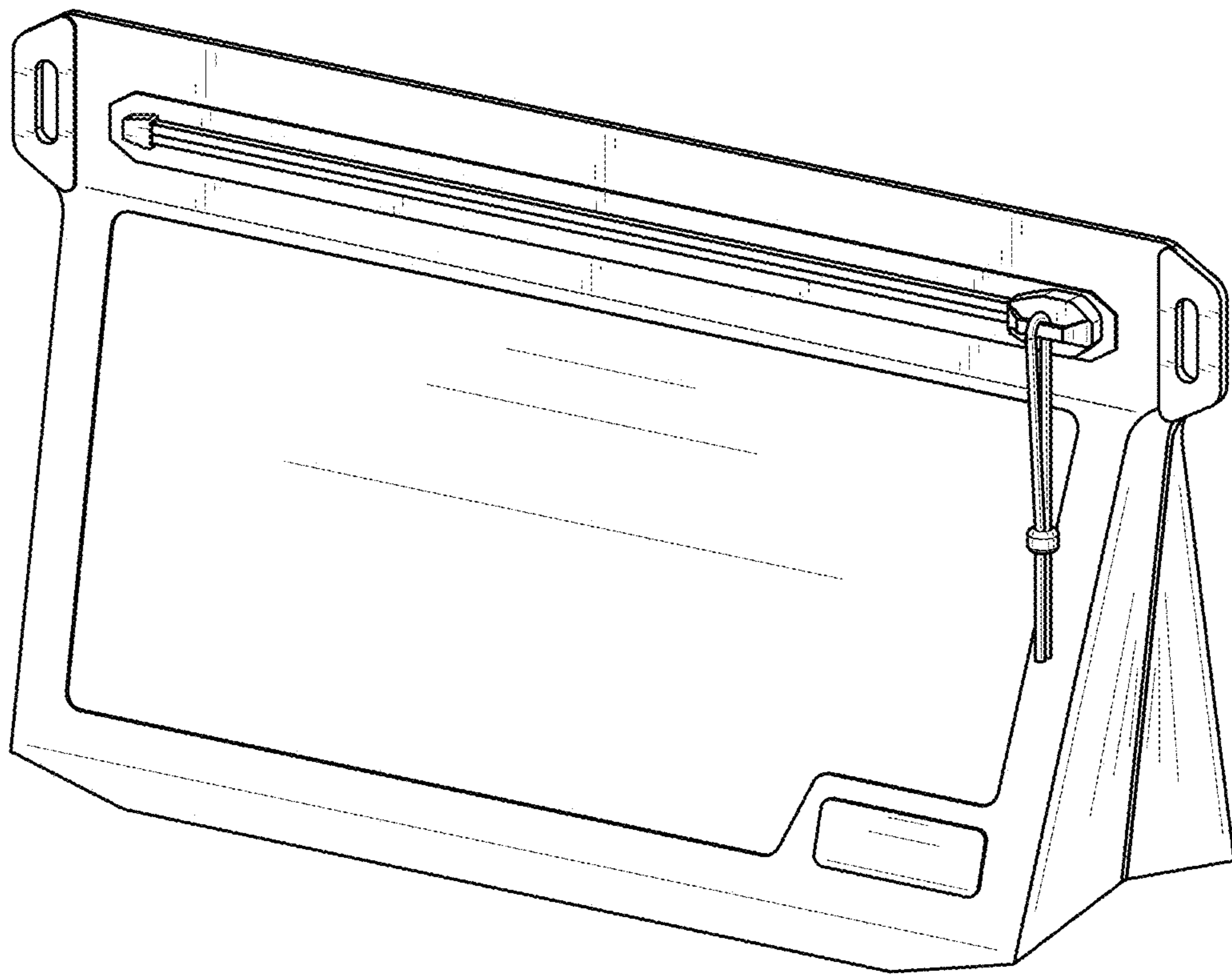


FIG. 1

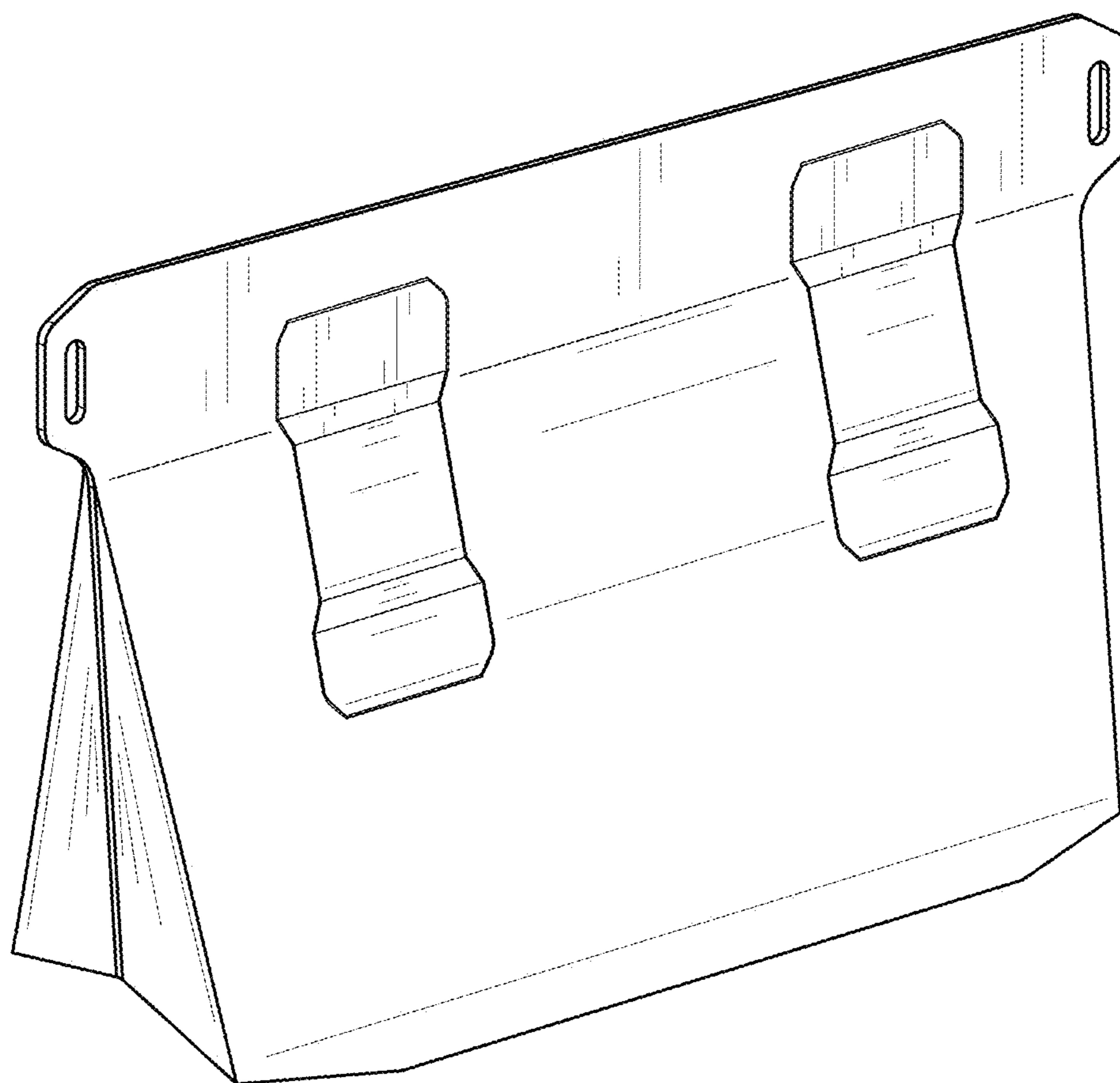


FIG. 2

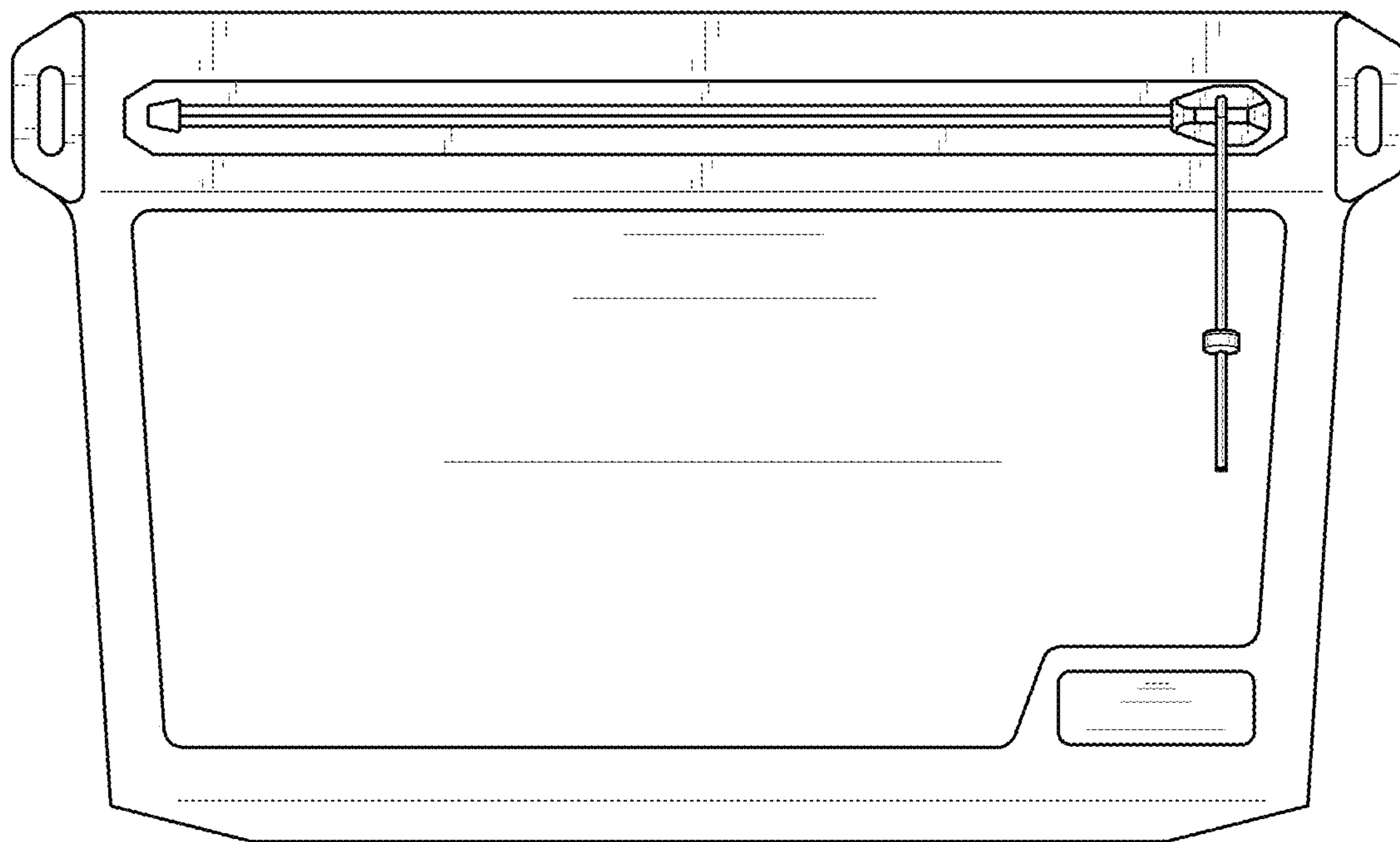


FIG. 3

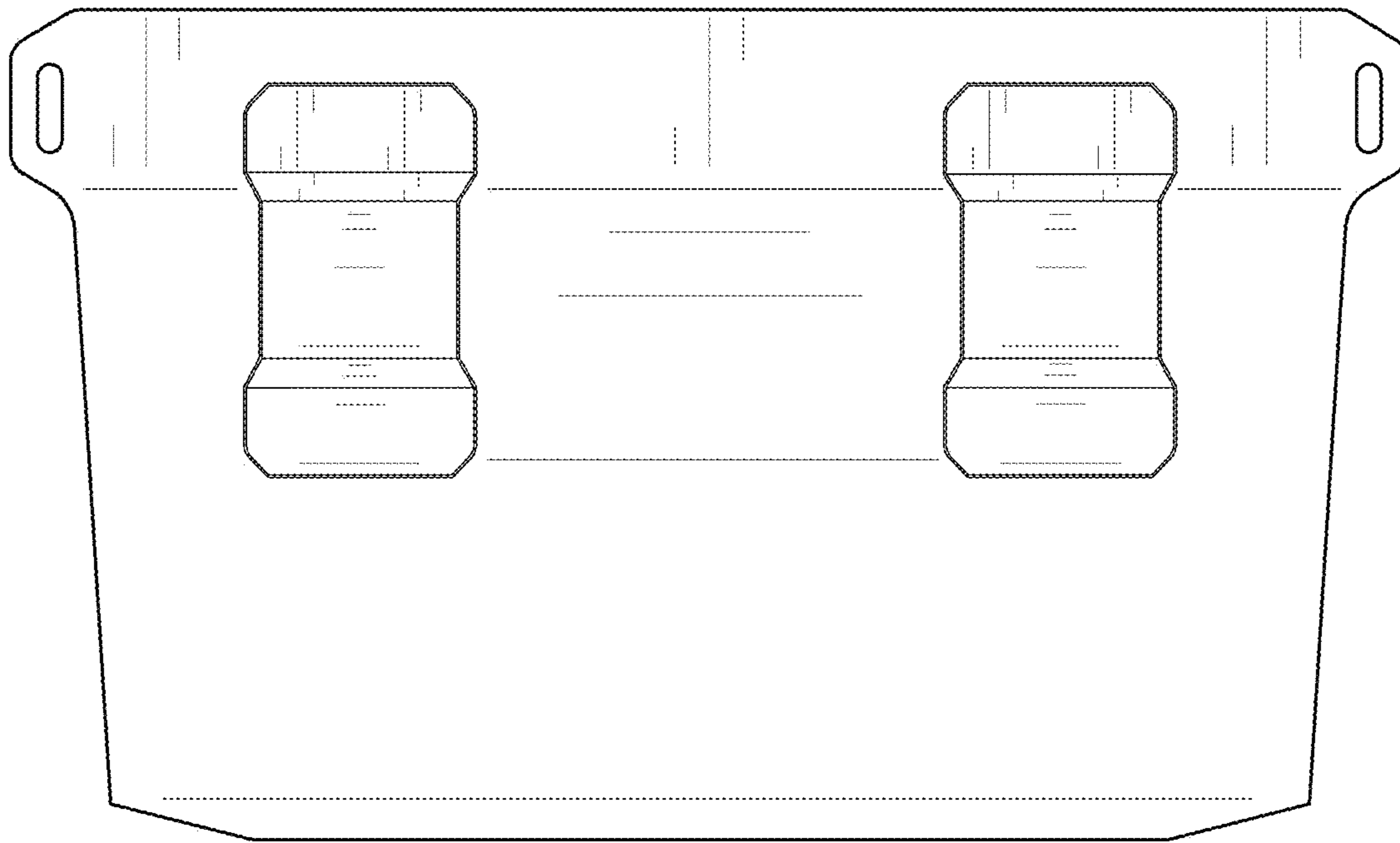


FIG. 4

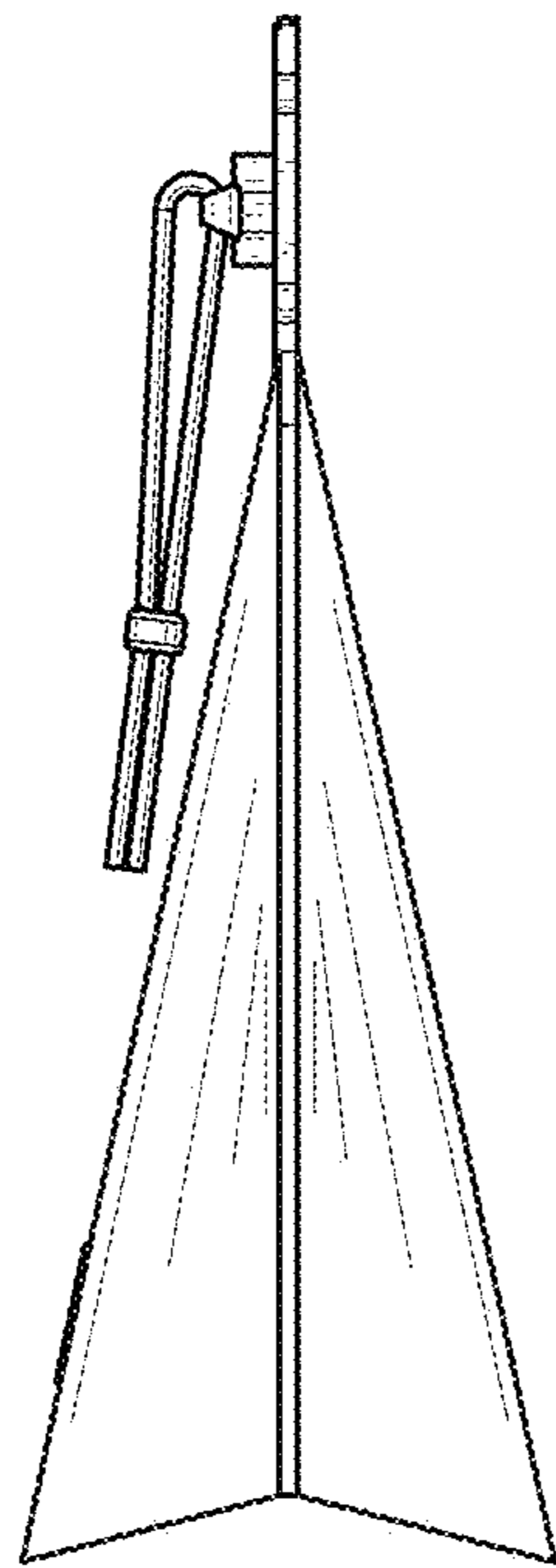


FIG. 5

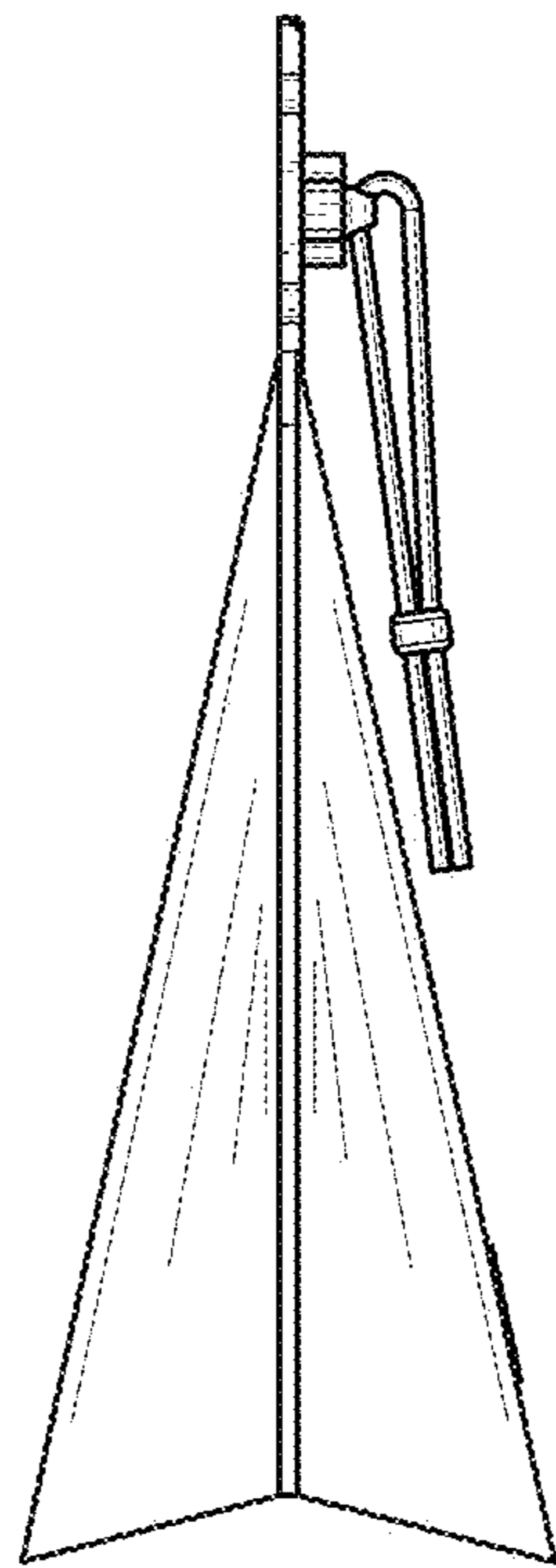


FIG. 6

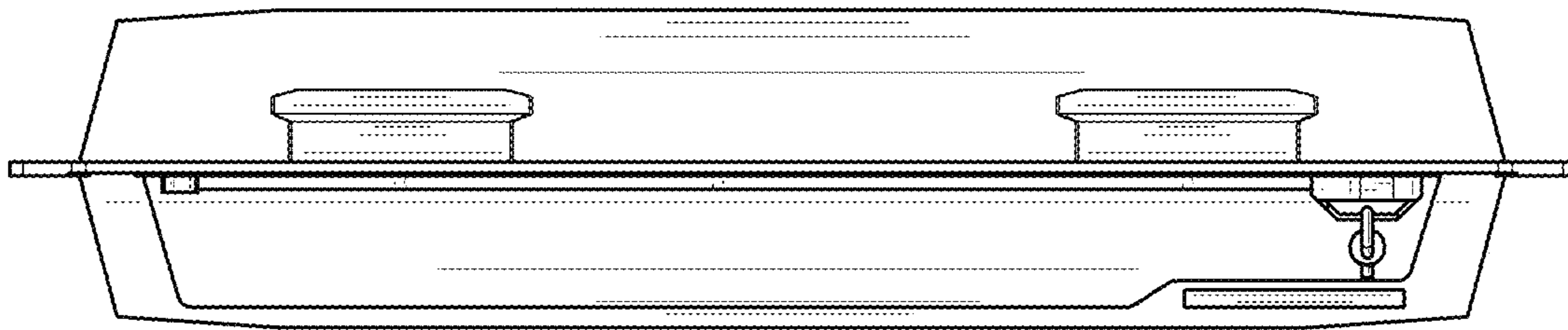


FIG. 7



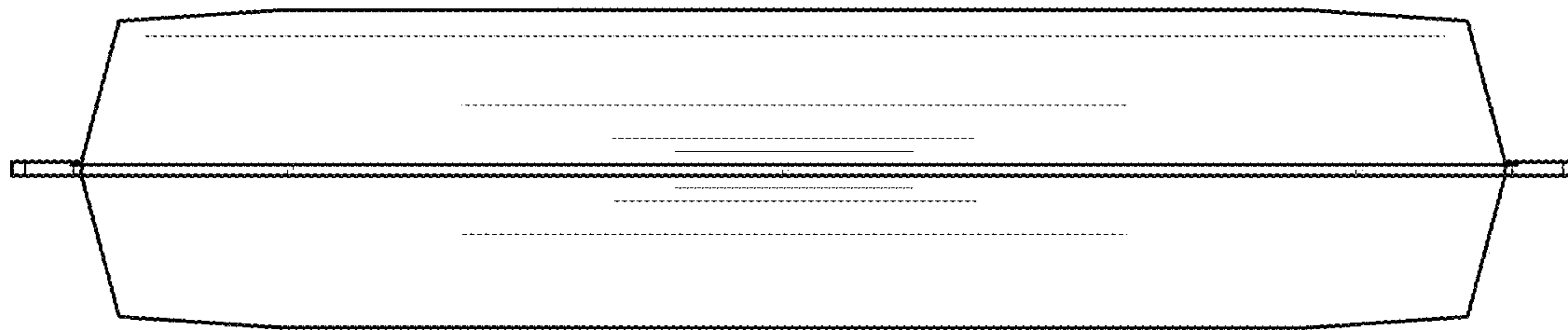


FIG. 8