



US00D902589S

(12) **United States Design Patent**
Li

(10) **Patent No.:** **US D902,589 S**

(45) **Date of Patent:** **** Nov. 24, 2020**

(54) **EARPHONE BOX**

(71) Applicant: **Feng Li**, Linxiang (CN)

(72) Inventor: **Feng Li**, Linxiang (CN)

(**) Term: **15 Years**

(21) Appl. No.: **29/737,981**

(22) Filed: **Jun. 12, 2020**

(51) **LOC (12) Cl.** **03-01**

(52) **U.S. Cl.**

USPC **D3/295**; D3/294

(58) **Field of Classification Search**

USPC D3/201, 203.1, 203.3, 203.6, 205, 218,

D3/272-273, 294-295, 301, 319;

D9/414, 418, 423-426, 430, 432,

D9/455-457, 721, 737; D28/83

CPC ... A45C 11/16; A47F 7/03; A47F 7/02; A47G

23/06; A61B 2019/5208

See application file for complete search history.

(56) **References Cited**

U.S. PATENT DOCUMENTS

D772,572 S * 11/2016 Palmborg D3/294

D817,640 S * 5/2018 Dang D3/294

D851,913 S 6/2019 Yu

D863,261 S * 10/2019 Zhu D14/223

D878,048 S 3/2020 Wang et al.

D881,572 S 4/2020 Wang et al.

D886,453 S * 6/2020 Wright D3/294

D886,455 S * 6/2020 Williamson D3/294

D887,351 S * 6/2020 Bonahoom D13/108

D888,664 S * 6/2020 Ma D13/108

D891,434 S * 7/2020 Lee D14/440

D894,123 S * 8/2020 Xiong D13/108

* cited by examiner

Primary Examiner — Holly E Thurman

(74) *Attorney, Agent, or Firm* — ScienBiziP, P.C.

(57) **CLAIM**

The ornamental design for an earphone box, as shown and described.

DESCRIPTION

FIG. 1 is a front and top perspective view of an earphone box, showing my design.

FIG. 2 is a rear and bottom perspective view thereof.

FIG. 3 is a front elevation view thereof.

FIG. 4 is a rear elevation view thereof.

FIG. 5 is a left side elevation view thereof.

FIG. 6 is a right side elevation view thereof.

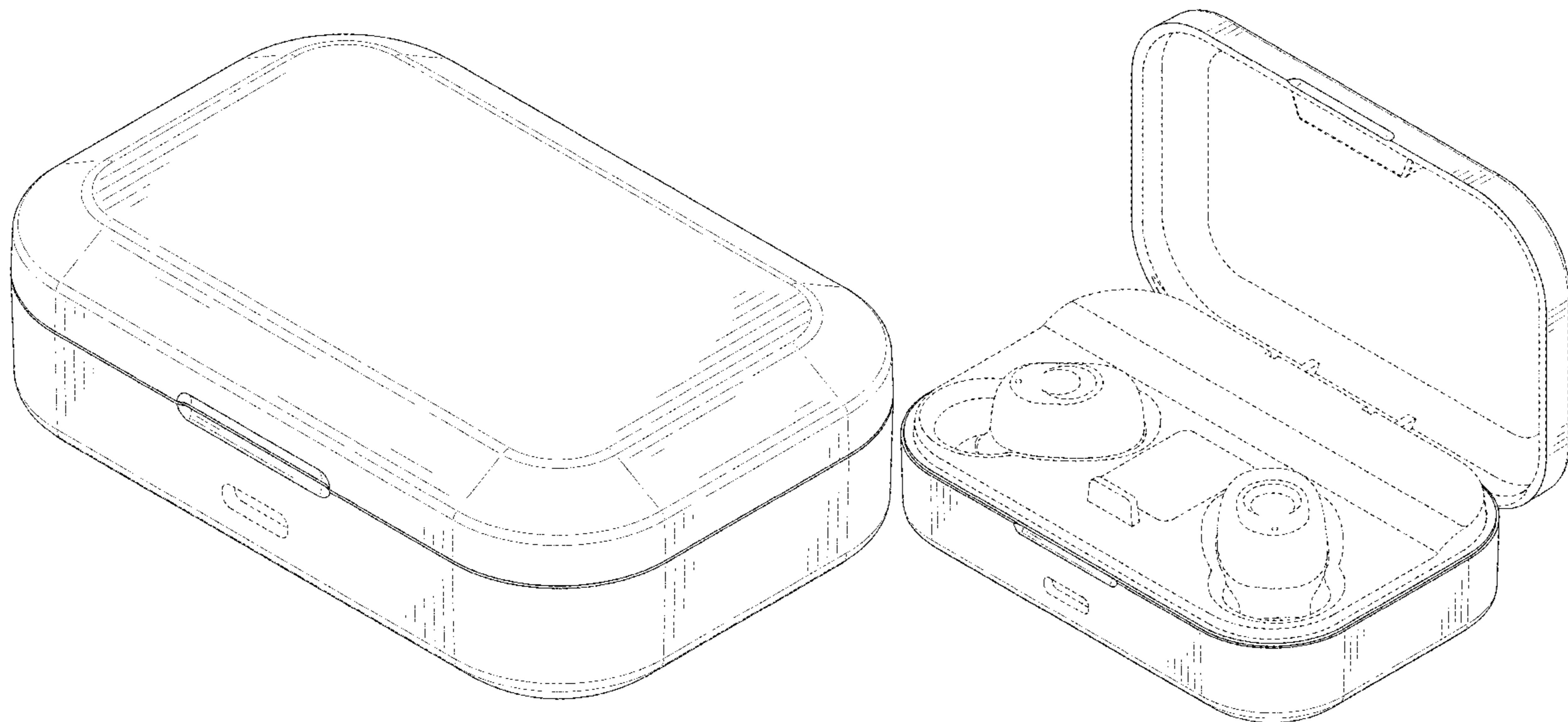
FIG. 7 is a top plan view thereof.

FIG. 8 is a bottom plan view thereof; and,

FIG. 9 is a front perspective view of the earphone box opened.

The broken lines in the drawings depict portions of the earphone box and earphones that forms NO part of the claimed design.

1 Claim, 9 Drawing Sheets



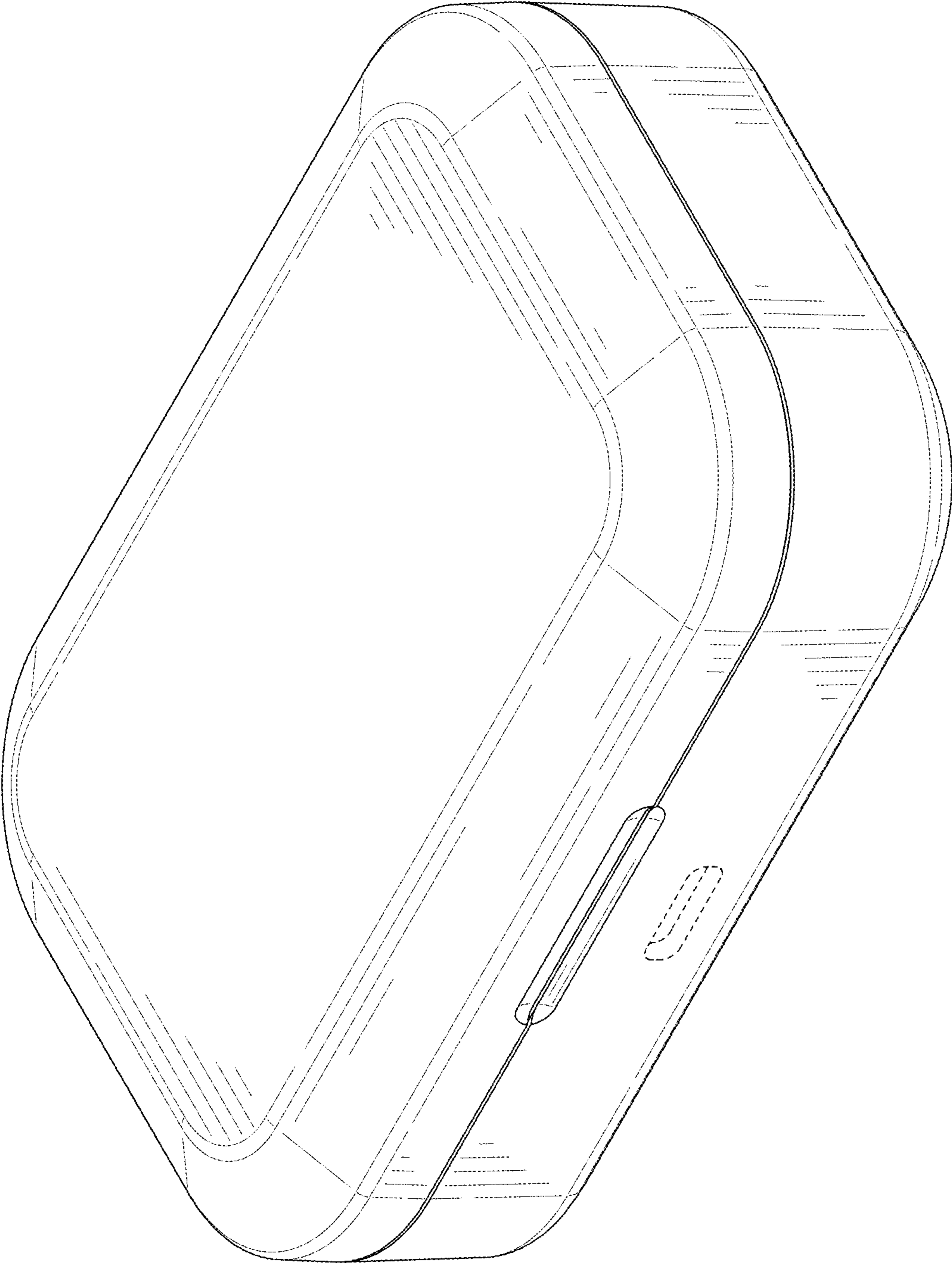


FIG. 1

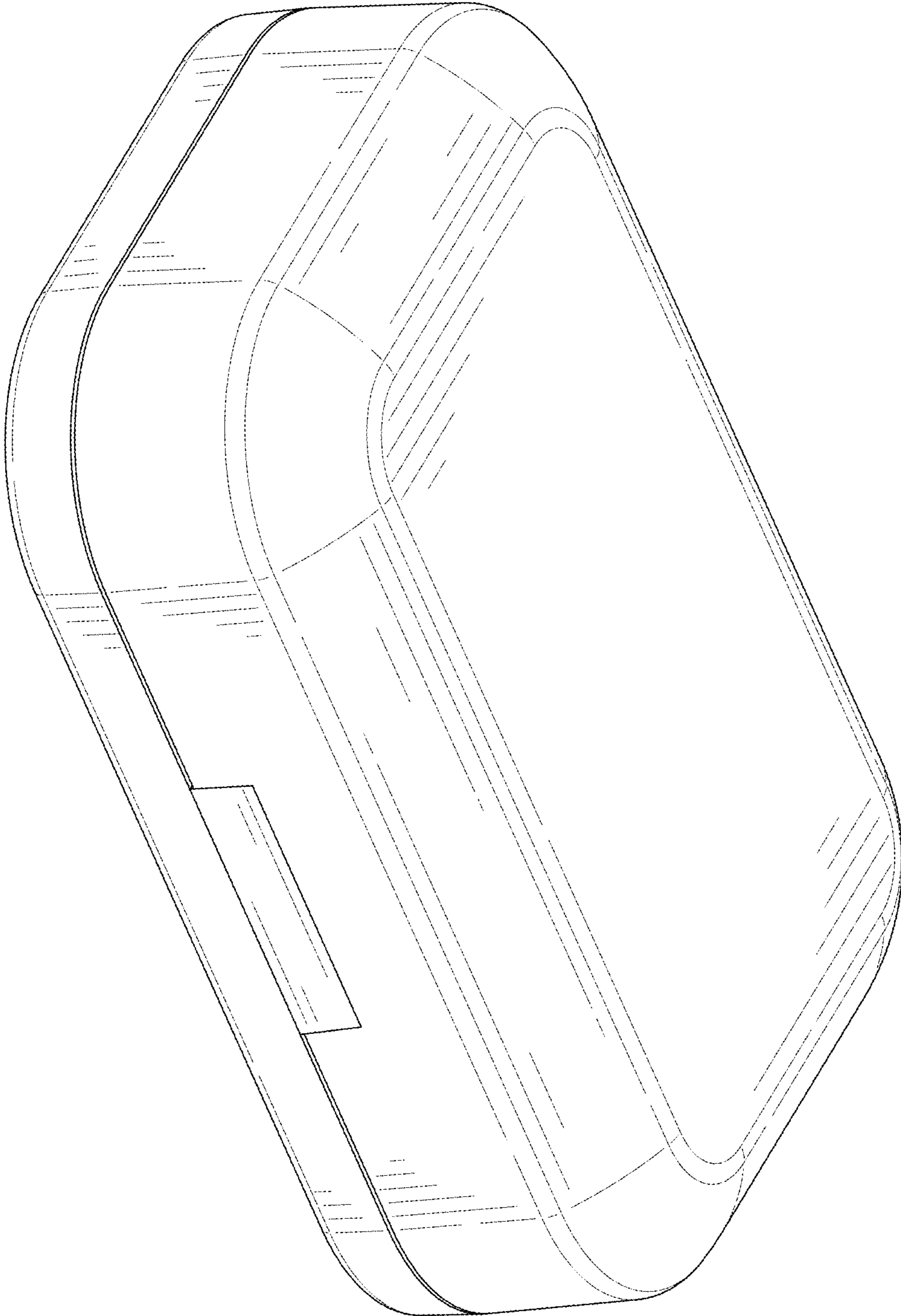


FIG. 2

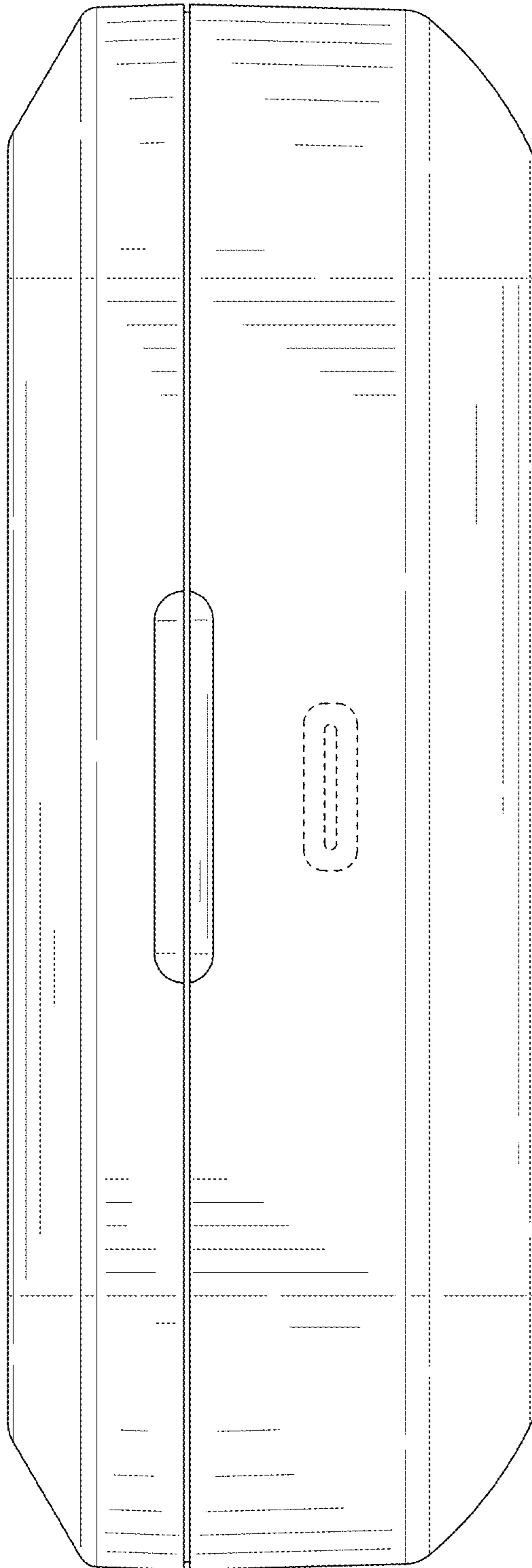


FIG. 3

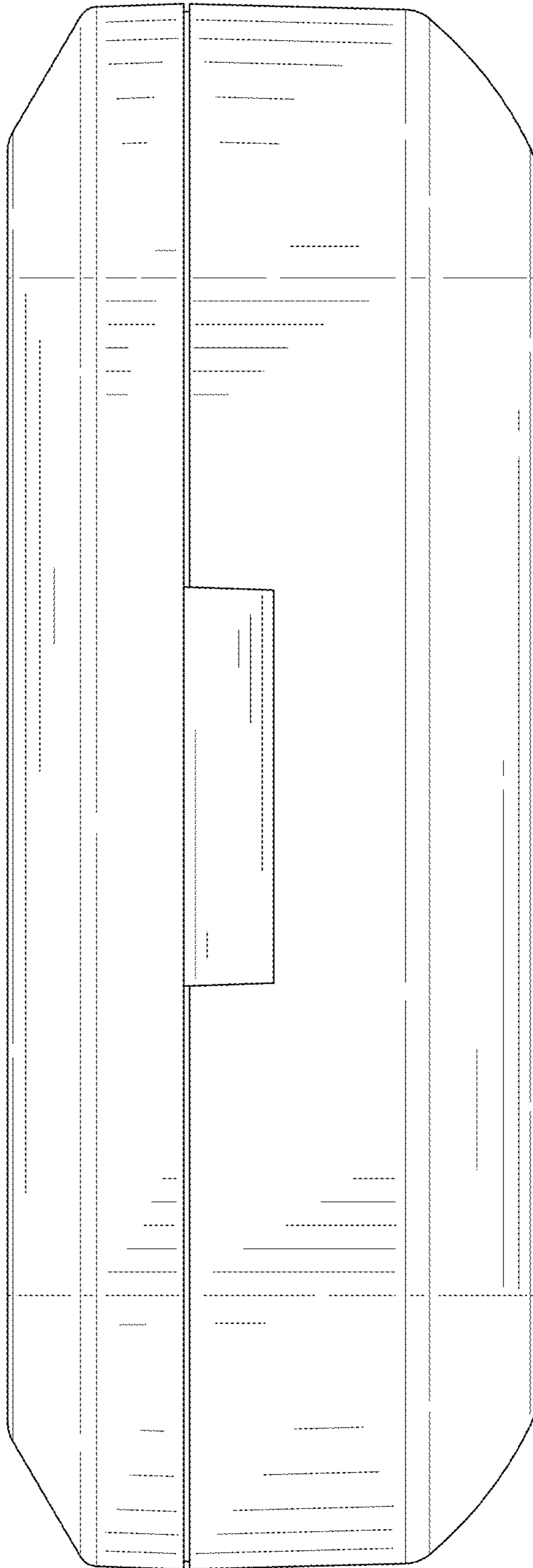


FIG. 4

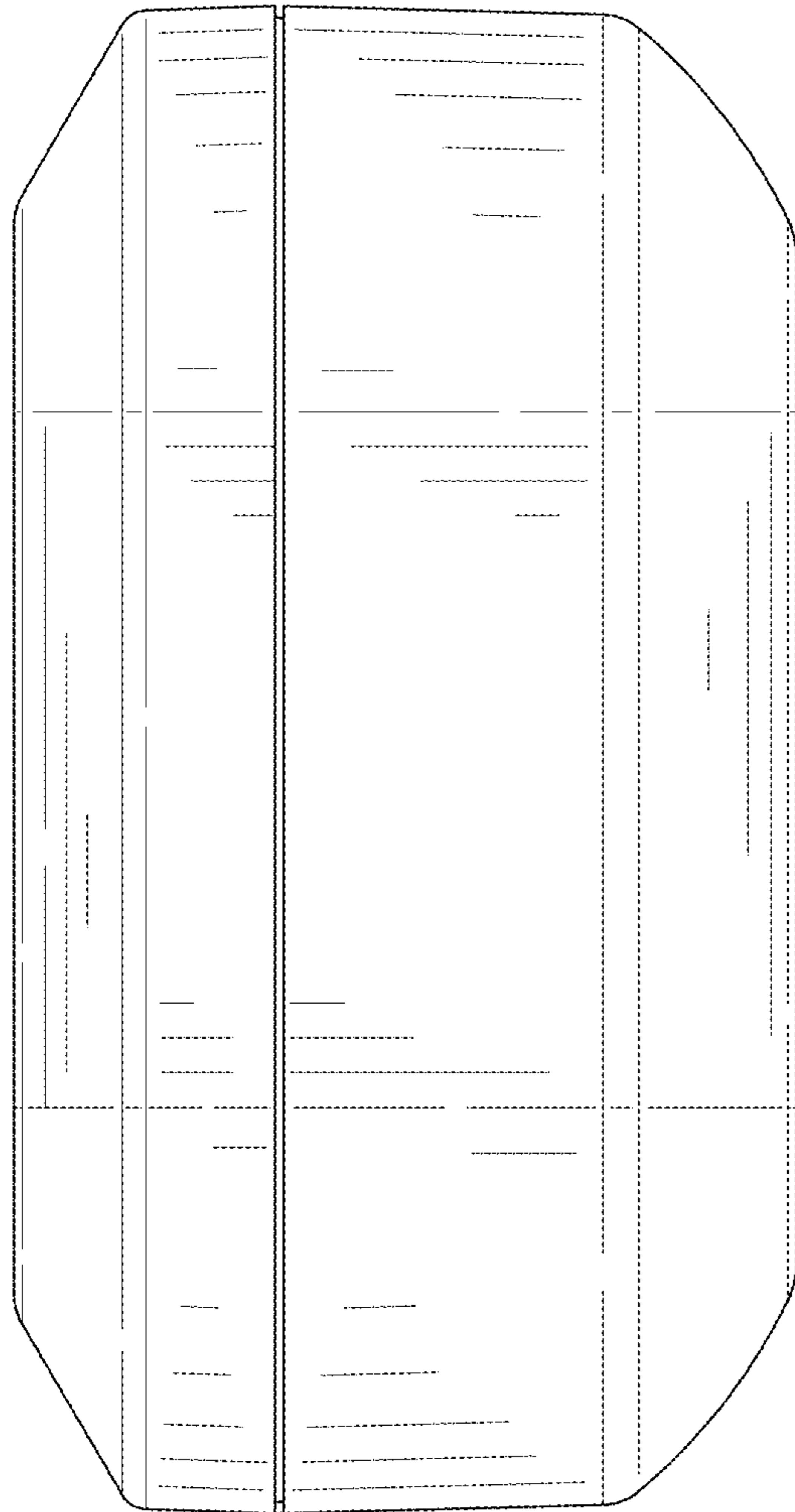


FIG. 5

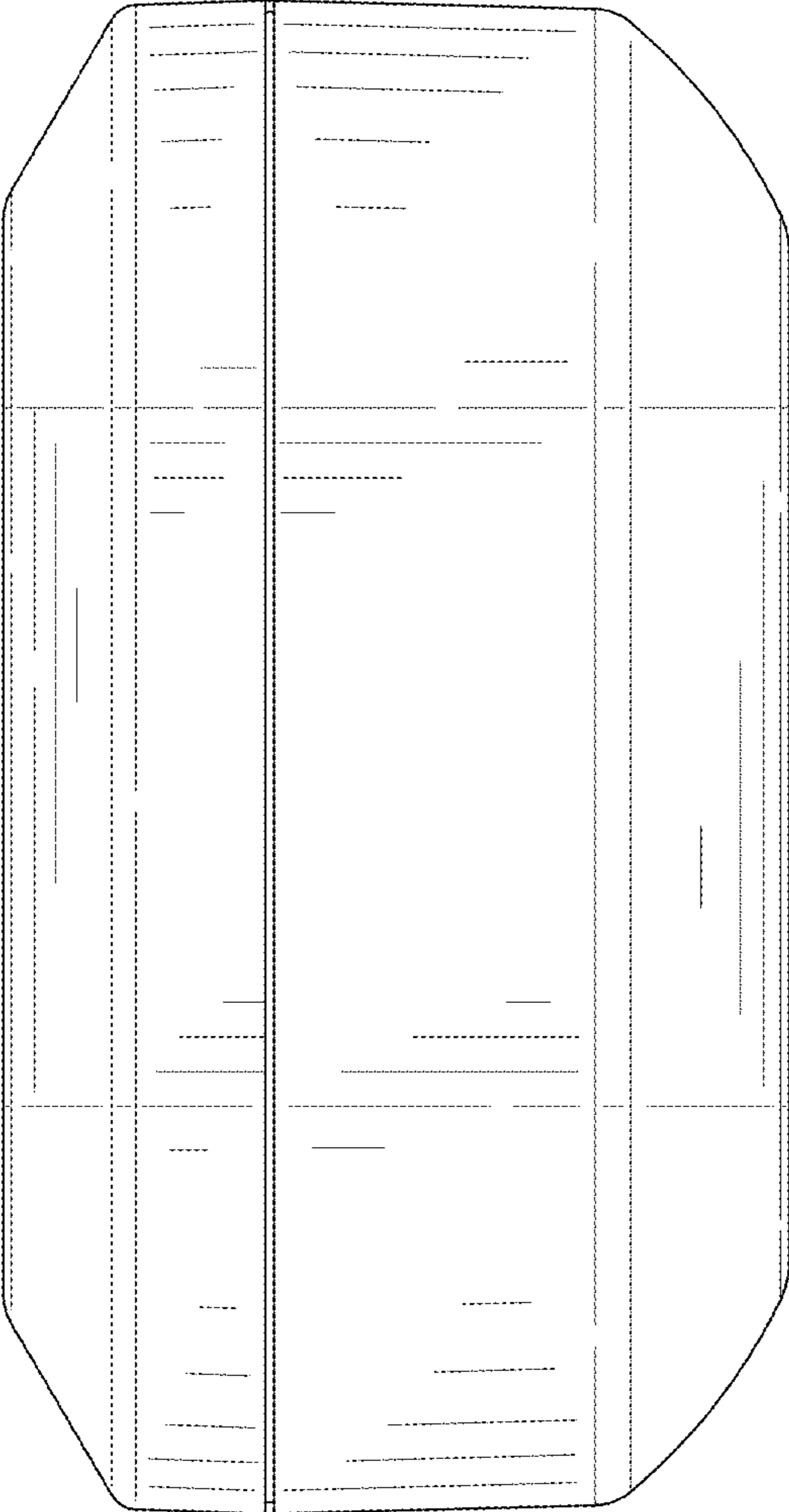


FIG. 6

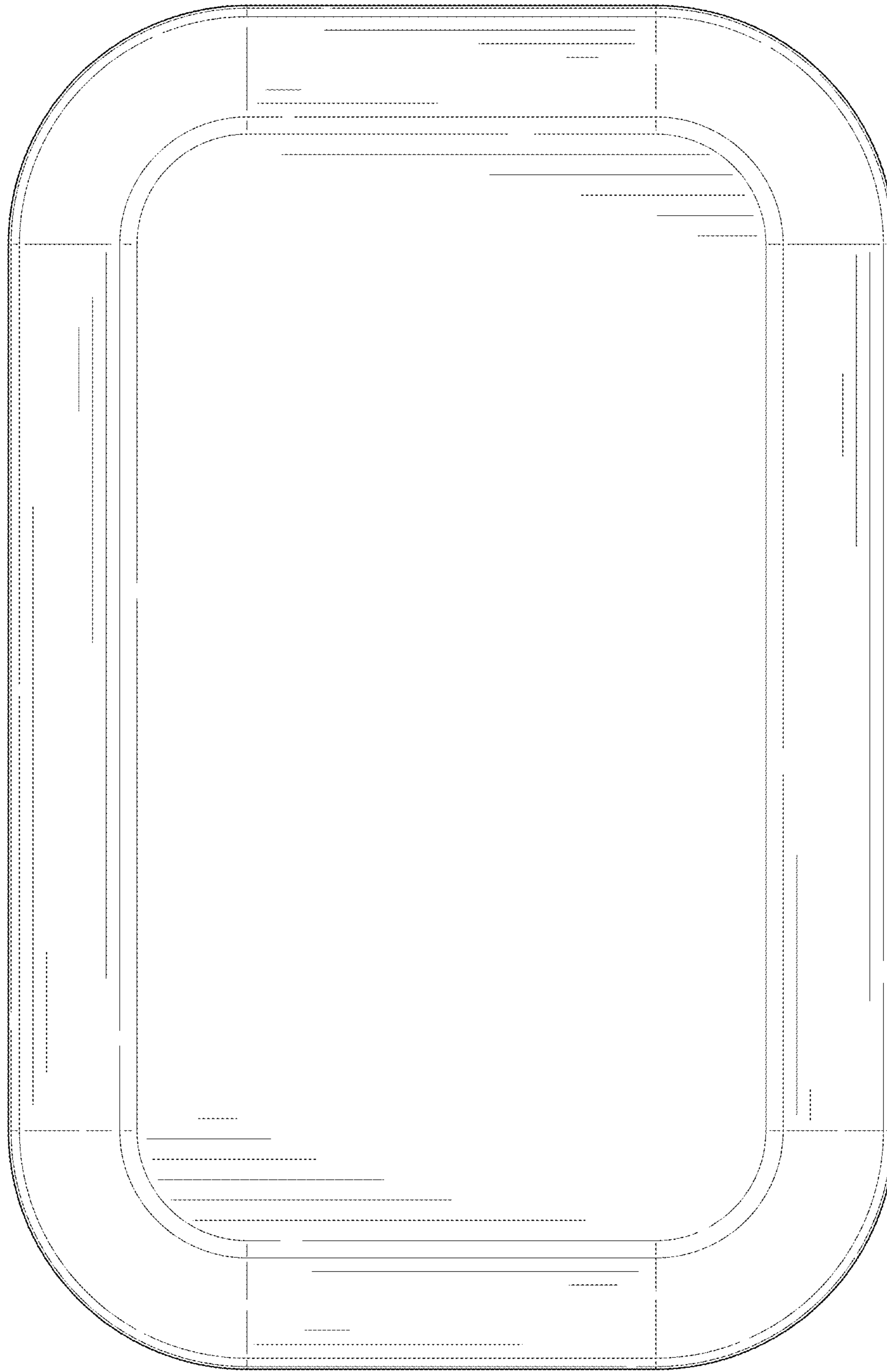


FIG. 7

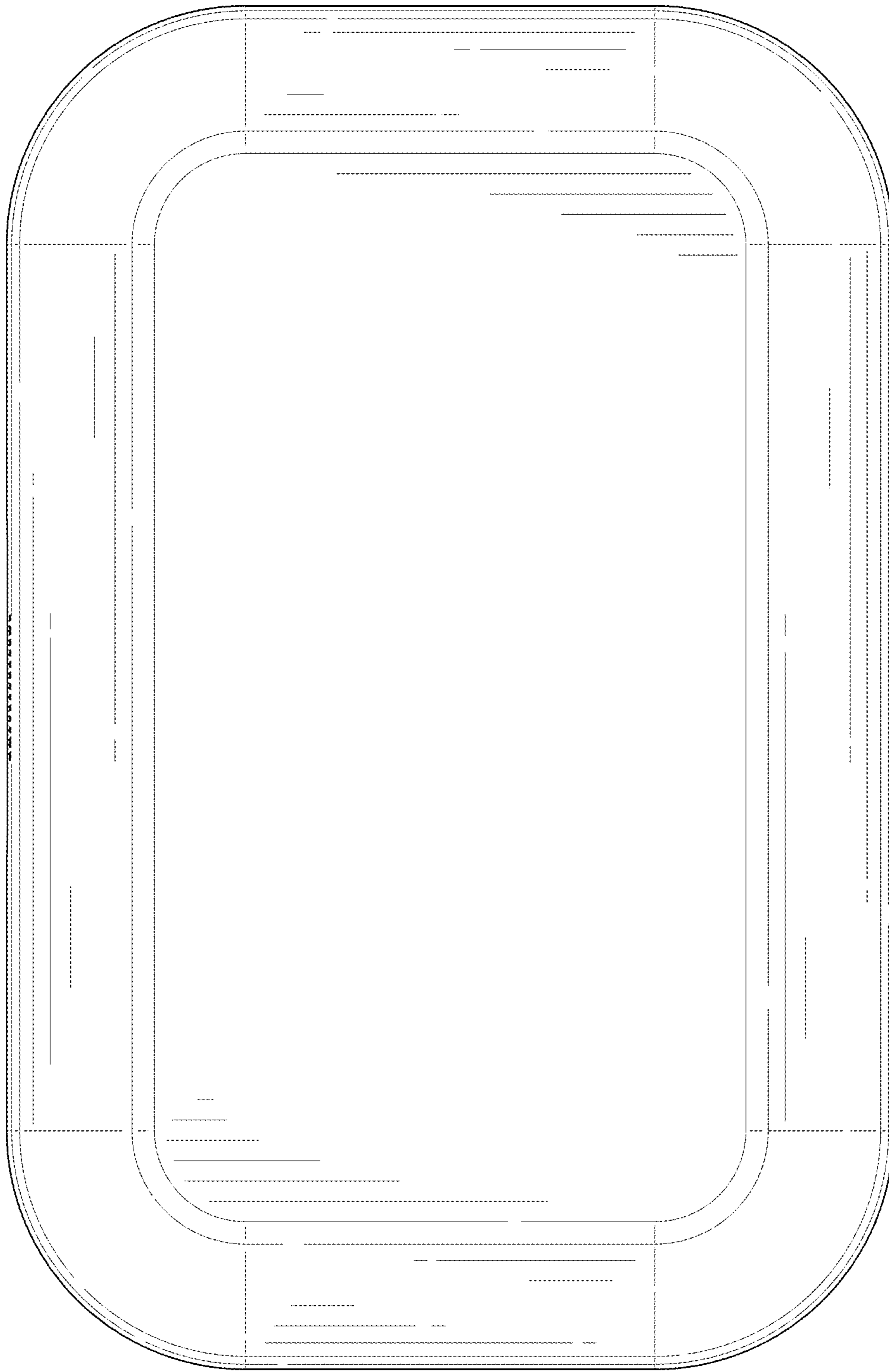


FIG. 8

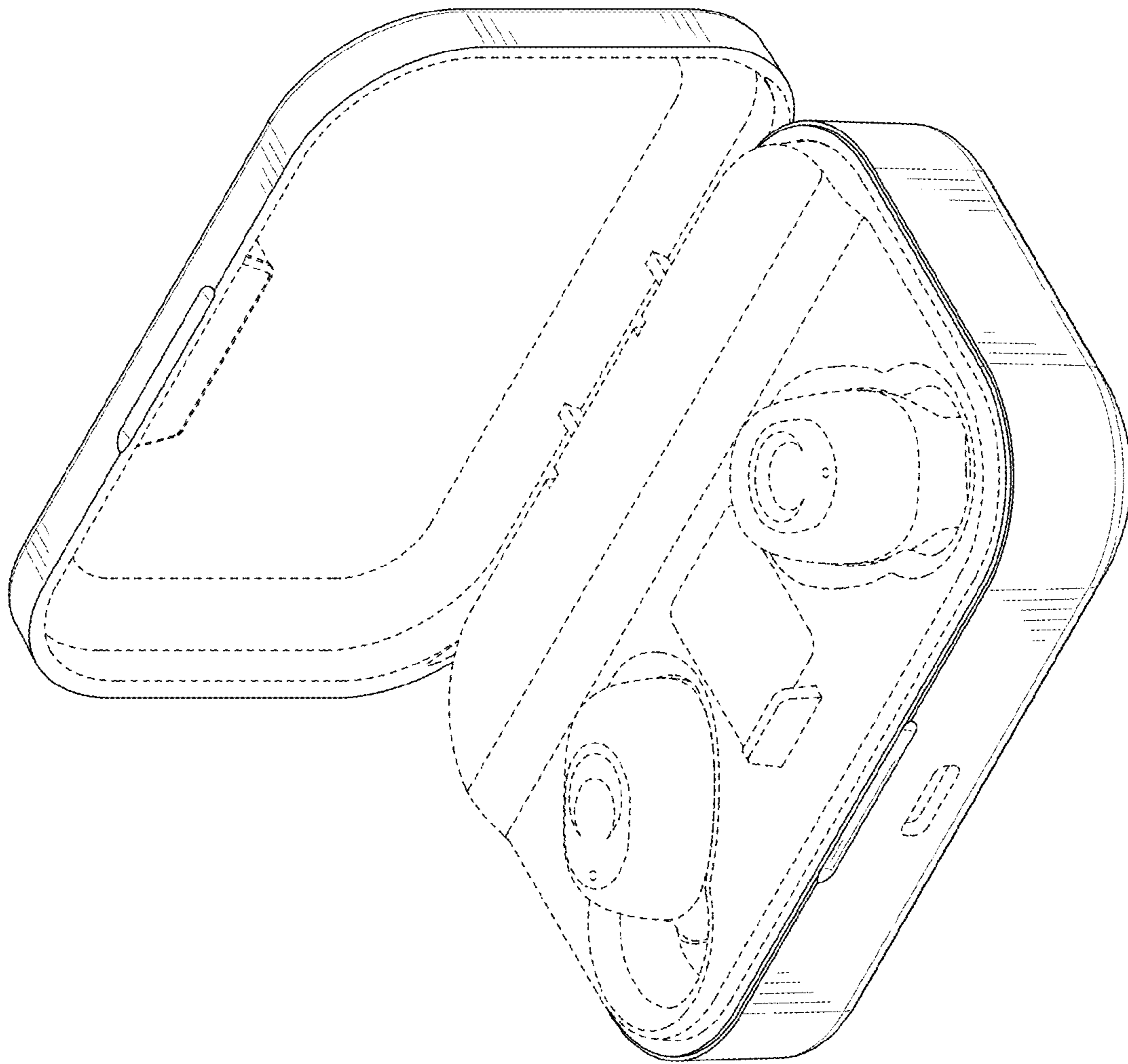


FIG. 9