



US00D902587S

(12) **United States Design Patent**  
**Zhu**

(10) **Patent No.:** **US D902,587 S**

(45) **Date of Patent:** **\*\* Nov. 24, 2020**

(54) **CASE**

(71) Applicant: **Dengfeng Zhu**, Hu'nan (CN)

(72) Inventor: **Dengfeng Zhu**, Hu'nan (CN)

(\*\*) Term: **15 Years**

(21) Appl. No.: **29/721,226**

(22) Filed: **Jan. 18, 2020**

(51) **LOC (12) Cl.** ..... **03-01**

(52) **U.S. Cl.**

USPC ..... **D3/294**

(58) **Field of Classification Search**

USPC ..... D3/201, 203.1, 204, 205, 207-208, 212,  
D3/215, 218, 269, 273-274, 276, 283,  
D3/284, 294-300, 302, 303, 315, 901,  
D3/903; D9/414, 418, 420, 430, 432;  
D28/66, 73, 76, 78, 91; D14/188, 201,  
D14/204, 205, 209.1, 217, 250, 251, 440,  
D14/447

CPC ... A45C 13/002; A45C 13/005; A45C 13/025;  
A45C 2011/001; A45C 2011/002; A45C  
2011/003

See application file for complete search history.

(56) **References Cited**

**U.S. PATENT DOCUMENTS**

D449,158 S \* 10/2001 Banks ..... D3/205  
D639,546 S \* 6/2011 MacNeill ..... D3/203.1

D718,048 S \* 11/2014 Hsu ..... D3/273  
D773,184 S \* 12/2016 Ko ..... D3/274  
D773,817 S \* 12/2016 Hower ..... D3/282  
D805,774 S \* 12/2017 Sun ..... D3/294  
D835,088 S \* 12/2018 Zhuang ..... D14/250  
D853,113 S \* 7/2019 Wang ..... D3/276  
D854,313 S \* 7/2019 Burns ..... D3/218  
D864,110 S \* 10/2019 Yoshimura ..... D13/108  
D870,451 S \* 12/2019 Birger  
D880,860 S \* 4/2020 Liu ..... D3/303  
2017/0019512 A1 \* 1/2017 Guerdum ..... A45F 5/00  
2017/0137205 A1 \* 5/2017 Graf ..... B65D 81/3813

\* cited by examiner

*Primary Examiner* — Lilyana Bekic

*Assistant Examiner* — Mary Shannon Malley

(74) *Attorney, Agent, or Firm* — Justin Lampel

(57) **CLAIM**

The ornamental design for a case, as shown and described.

**DESCRIPTION**

FIG. 1 is a perspective view of a case showing the claimed design;

FIG. 2 is a top plan view thereof;

FIG. 3 is a rear elevational view thereof;

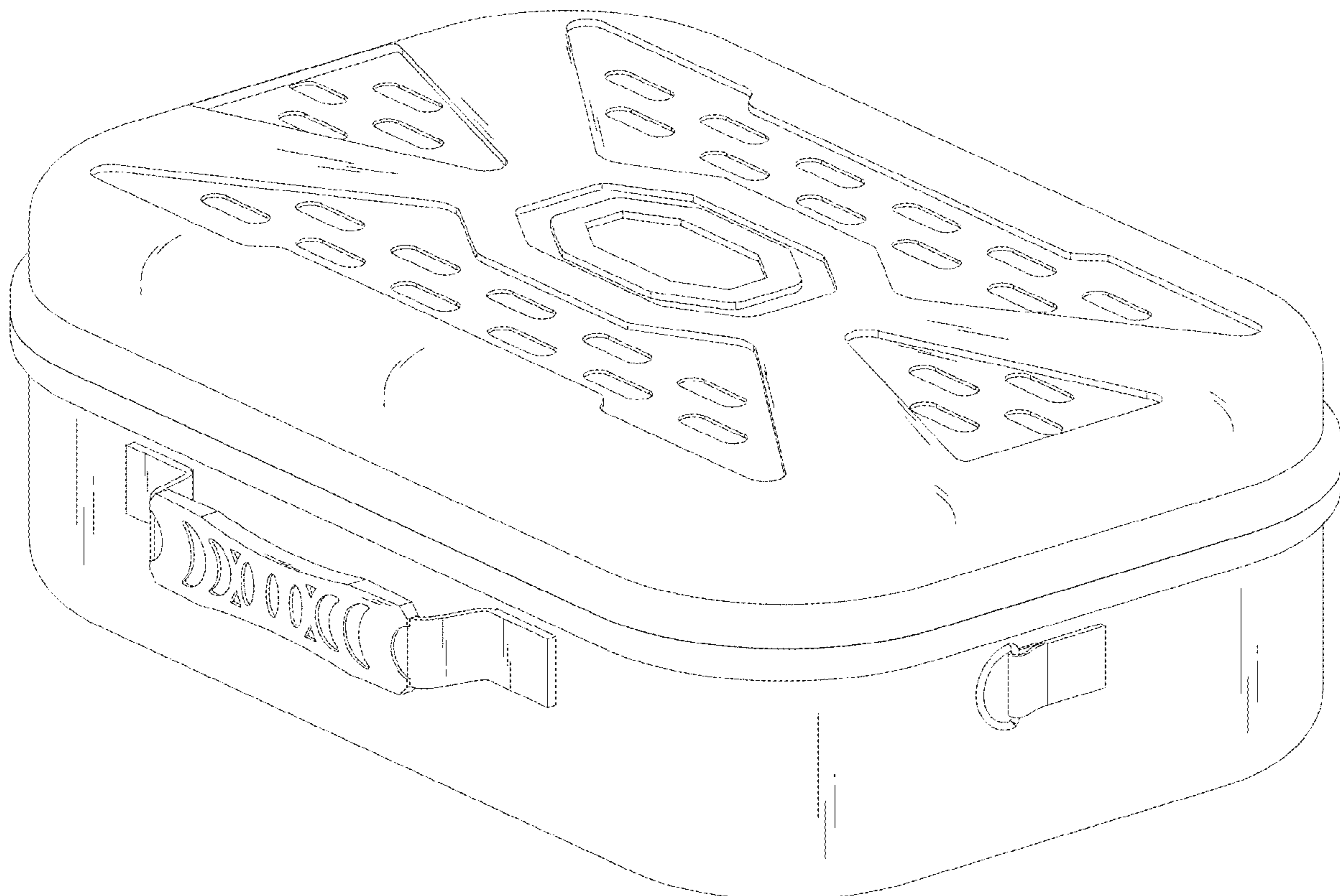
FIG. 4 is a bottom plan view thereof;

FIG. 5 is a right side view thereof;

FIG. 6 is a front elevational view thereof; and,

FIG. 7 is a left side view thereof.

**1 Claim, 7 Drawing Sheets**



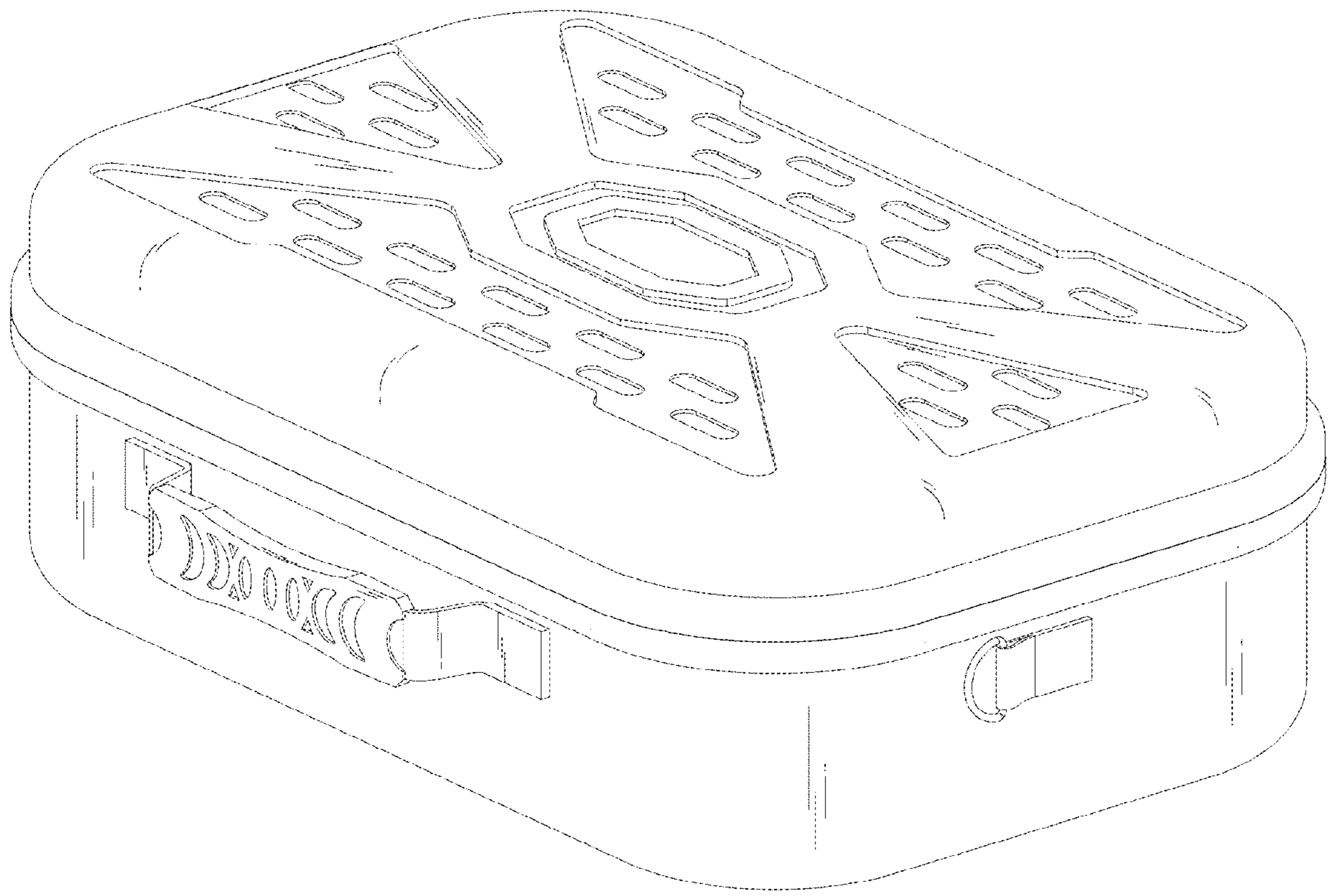


FIG.1

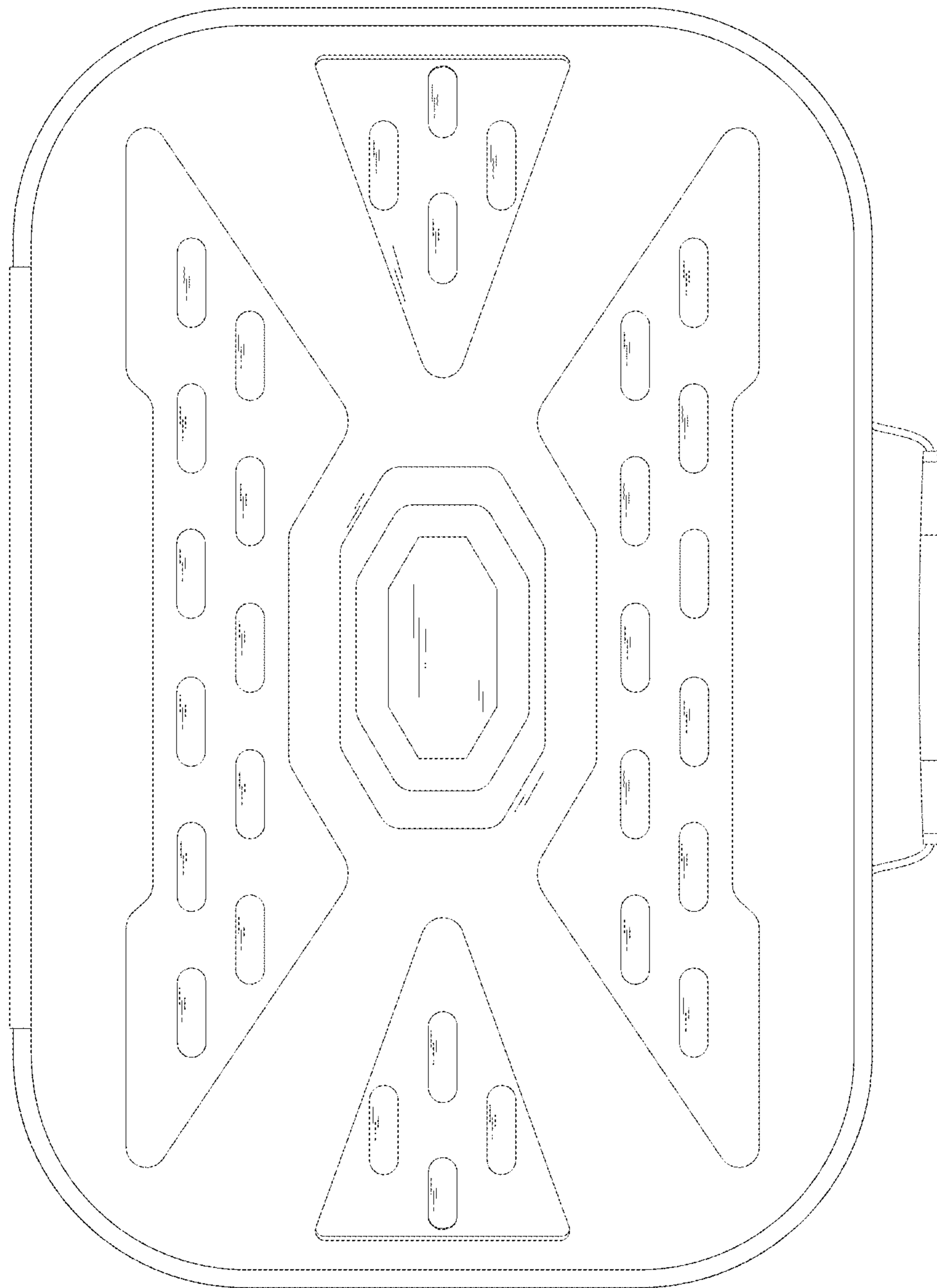


FIG. 2

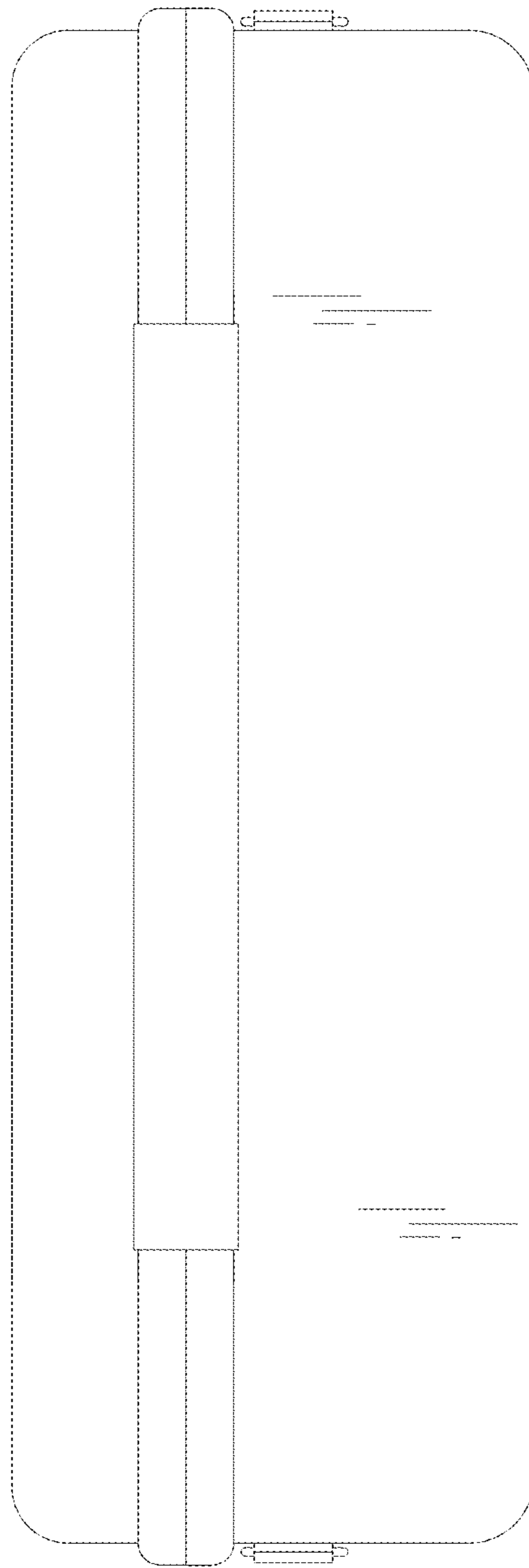


FIG. 3

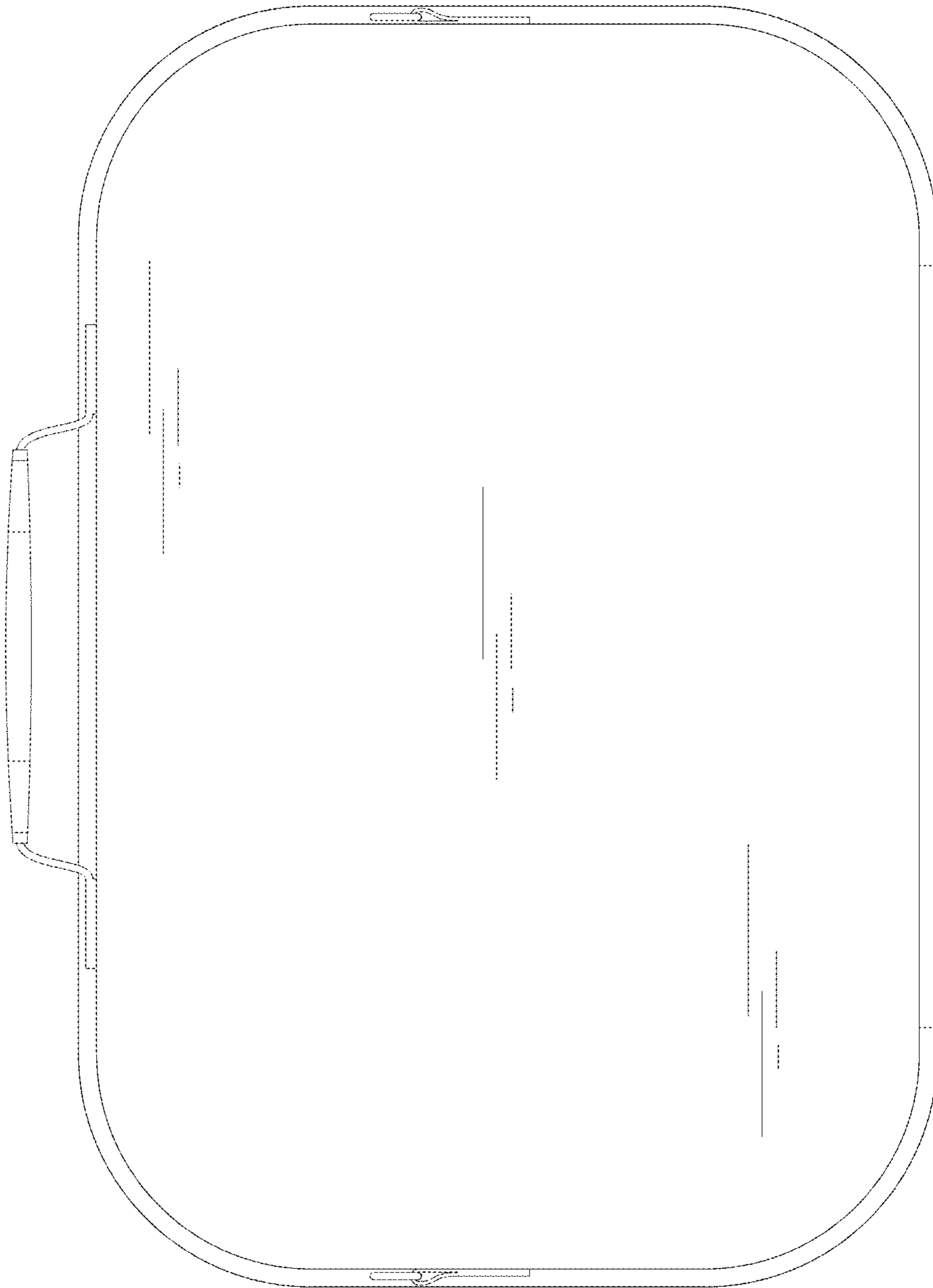


FIG.4

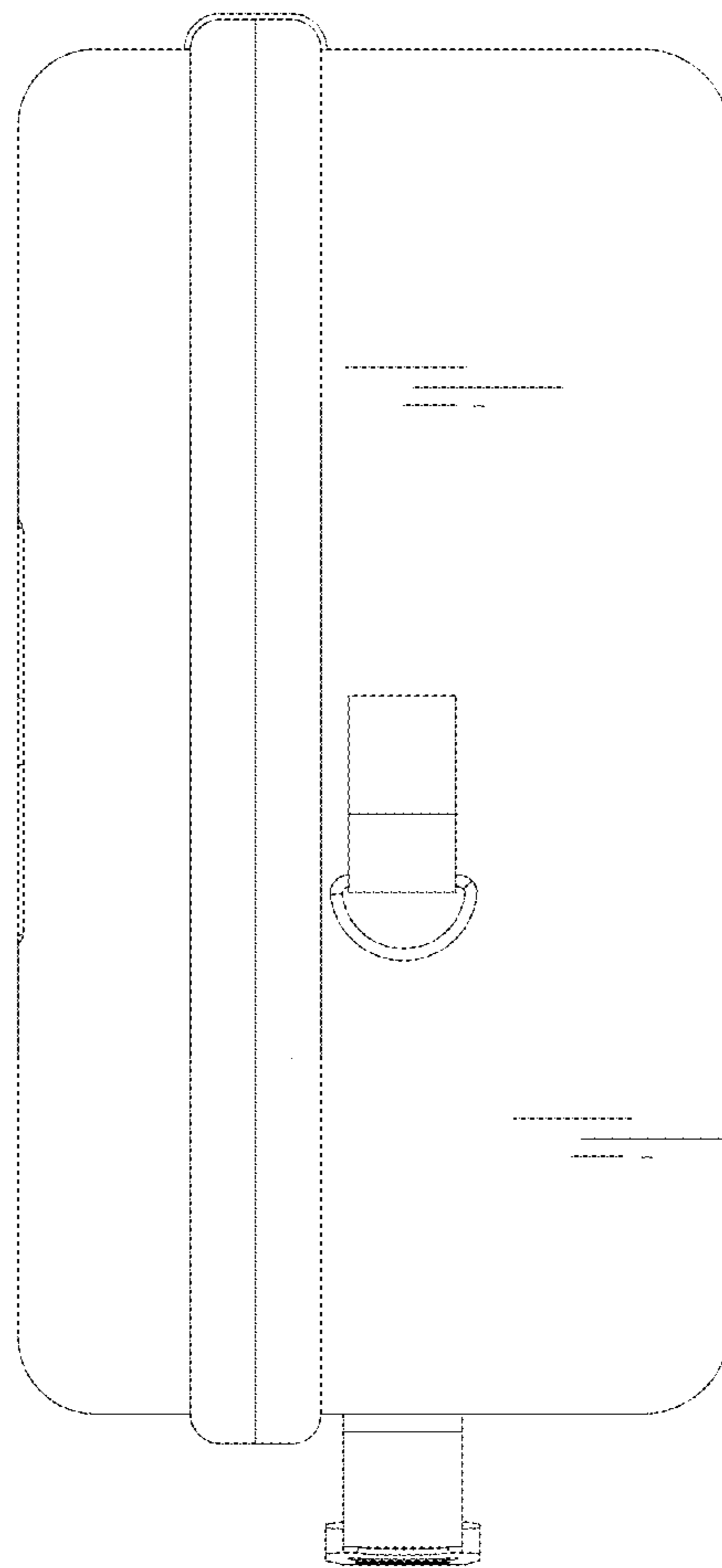


FIG.5

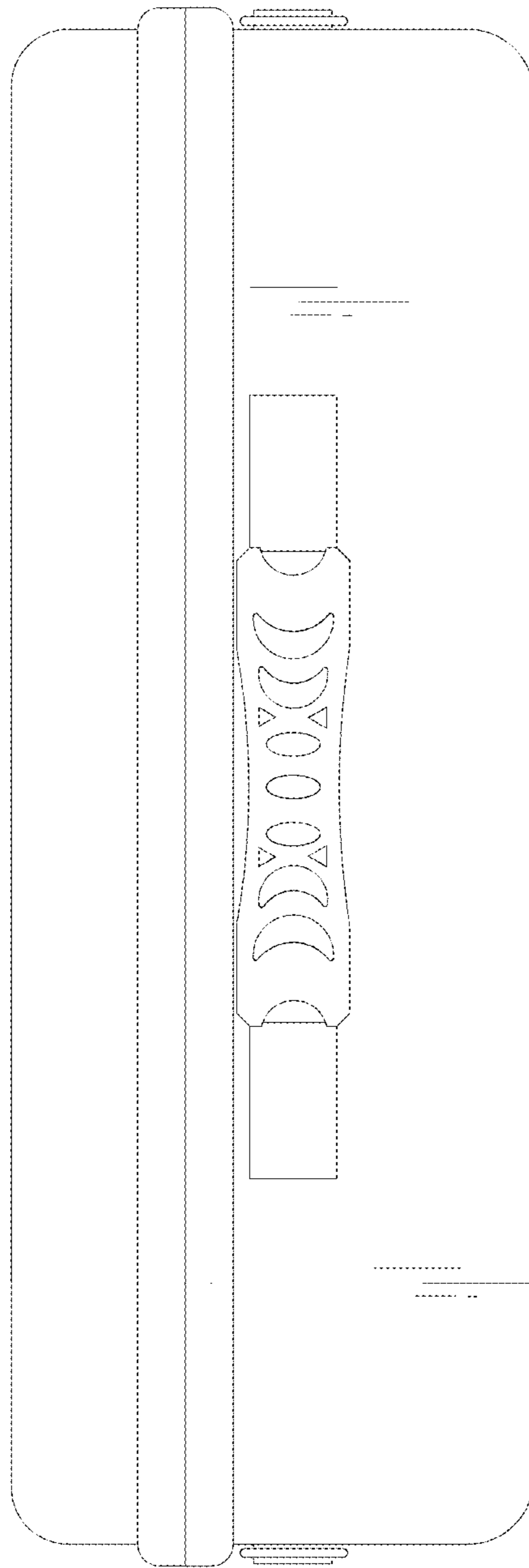


FIG. 6

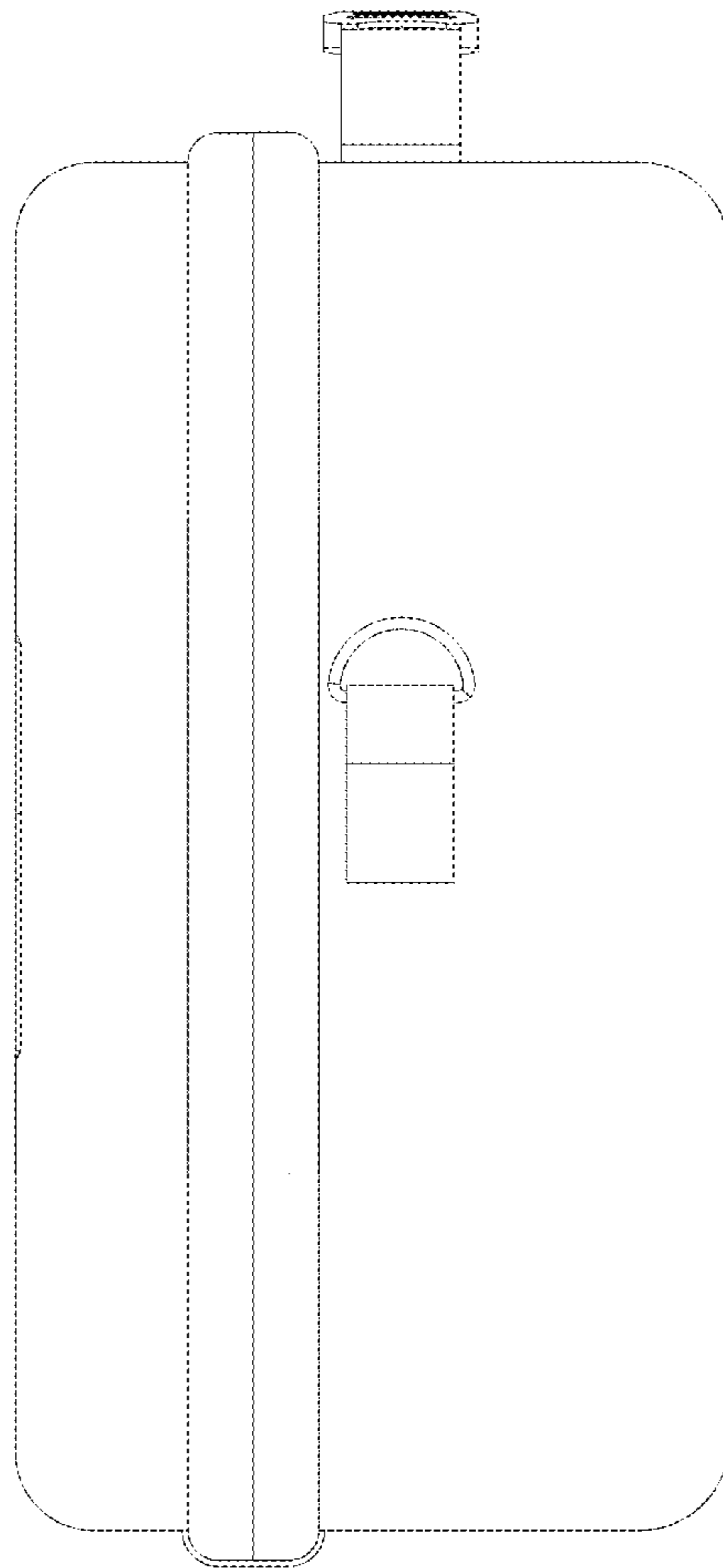


FIG. 7