



US00D902586S

(12) **United States Design Patent** (10) **Patent No.:** **US D902,586 S**
Ito (45) **Date of Patent:** **** Nov. 24, 2020**

(54) **SUITCASE**

(71) Applicant: **RYOHIN KEIKAKU CO., LTD.**,
Tokyo (JP)

(72) Inventor: **Shoji Ito**, Tokyo (JP)

(73) Assignee: **RYOHIN KEIKAKU CO., LTD.**,
Tokyo (JP)

(**) Term: **15 Years**

(21) Appl. No.: **29/699,147**

(22) Filed: **Jul. 23, 2019**

Related U.S. Application Data

(62) Division of application No. 35/505,387, filed on Dec. 15, 2017 (U.S. filing date under 35 U.S.C. 384), and having an international filing date of Dec. 15, 2017.

(30) **Foreign Application Priority Data**

Jun. 15, 2017 (JP) 2017-012480
Jun. 15, 2017 (JP) 2017-012839

(51) **LOC (12) Cl.** **03-01**

(52) **U.S. Cl.**
USPC **D3/279**

(58) **Field of Classification Search**
USPC D3/273, 279, 285, 289

(Continued)

(56) **References Cited**

U.S. PATENT DOCUMENTS

D114,962 S 5/1939 Ortnier
D292,845 S 11/1987 Kim

(Continued)

FOREIGN PATENT DOCUMENTS

JP 731698 S 1/1988

OTHER PUBLICATIONS

Fast Company, Dror's Magical Expandable Suitcase for Tumi is Fit for Mary Poppins, posted Mar. 19, 2012, [online], [visited Apr. 24, 2020]. Internet, <URL: <https://www.fastcompany.com/1822758/drors-magical-expandable-suitcase-tumi-fit-mary-poppins>> (Year: 2012).

(Continued)

Primary Examiner — Holly H Baynham

(74) *Attorney, Agent, or Firm* — Buchanan Ingersoll & Rooney PC

(57) **CLAIM**

The ornamental design for a suitcase, as shown and described.

DESCRIPTION

FIG. 1 is a front, left perspective view of a suitcase showing my new design.

FIG. 2 is a front elevational view thereof.

FIG. 3 is a rear elevational view thereof.

FIG. 4 is a left side elevational view thereof.

FIG. 5 is a right side elevation view thereof.

FIG. 6 is a top plan view thereof.

FIG. 7 is a bottom plan view thereof.

FIG. 8 is a front elevational view thereof in a fully extended state.

FIG. 9 is a left side elevational view thereof in a fully extended state.

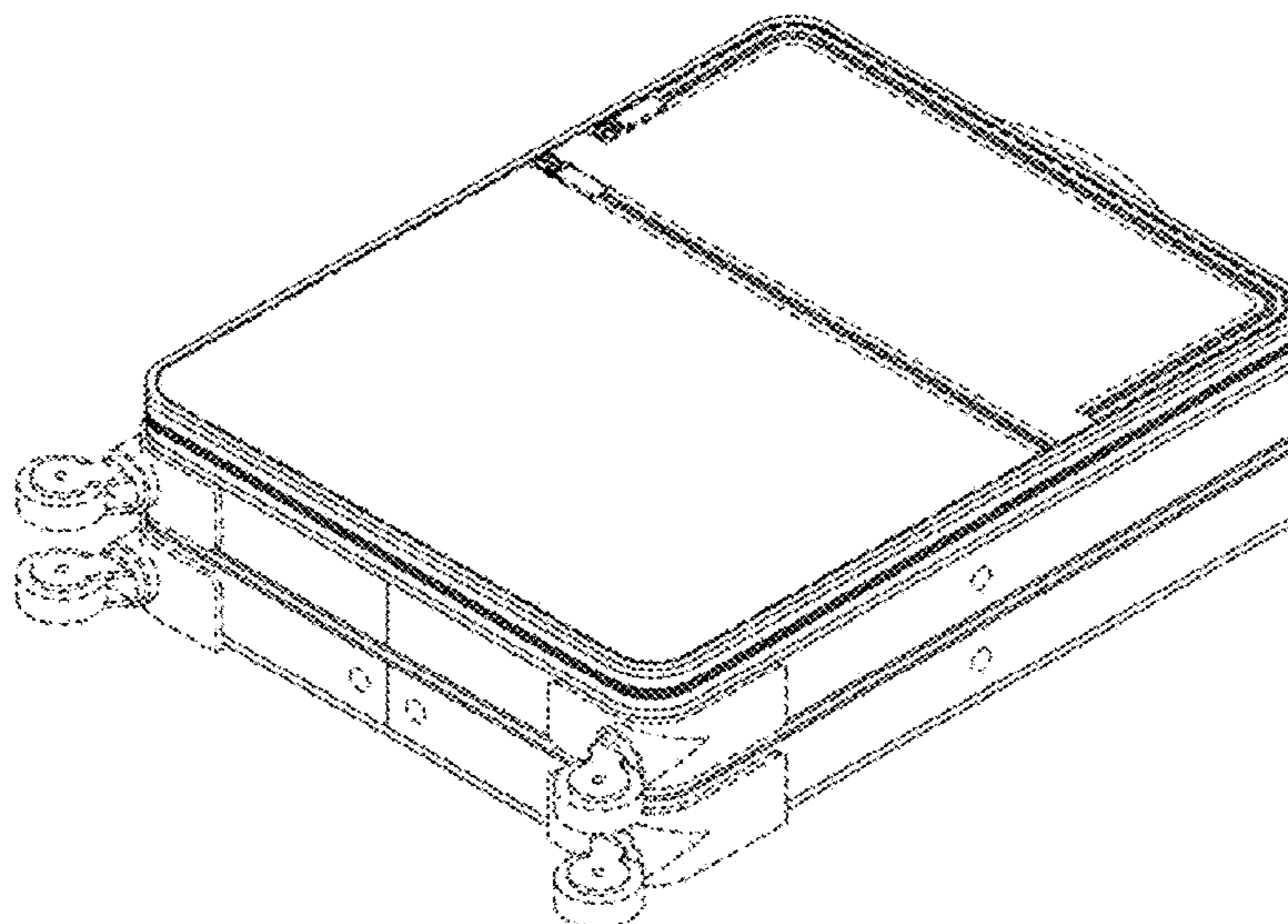
FIG. 10 is a right side elevational view thereof in a fully extended state.

FIG. 11 is a top plan view thereof on a reduced scale showing a state in which a handle part is extended; and,

FIG. 12 is a top plan view thereof on a reduced scale showing a state in which the suitcase is opened and three flap parts are unfolded.

The broken line showing of portions of the suitcase form no part of the claimed design.

1 Claim, 12 Drawing Sheets



(58) **Field of Classification Search**
 CPC A45C 5/00; A45C 13/36; A45C 5/14
 See application file for complete search history.

2002/0040834 A1 4/2002 Chen
 2005/0067244 A1 3/2005 Smith et al.
 2007/0158157 A1 7/2007 Krulik et al.

OTHER PUBLICATIONS

(56) **References Cited**

U.S. PATENT DOCUMENTS

D299,791 S *	2/1989	Bishop	D3/251
4,844,215 A	7/1989	Ambasz	
4,995,487 A *	2/1991	Plath	A45C 5/00 190/108
D352,170 S	11/1994	Bialo	
D354,166 S	1/1995	Lin	
D364,504 S *	11/1995	Bieber	D3/276
D381,506 S	7/1997	Roeder	
5,671,831 A	9/1997	Chiu	
D386,300 S	11/1997	Kopel	
6,126,012 A	10/2000	Roegner	
D434,220 S *	11/2000	Kojoori	D3/247
D457,314 S	5/2002	Stephens et al.	
D459,579 S *	7/2002	Kegels	D3/279
6,533,087 B1	3/2003	Chen	
D479,042 S *	9/2003	Szyf	D3/279
D581,667 S *	12/2008	Yeh	D3/279
D590,154 S *	4/2009	Hopwood	D3/279
D742,115 S *	11/2015	Besner	D3/249
D773,814 S	12/2016	Barenbrug	
D849,400 S *	5/2019	Wang	D3/249
10,299,551 B1	5/2019	Lai	
D858,100 S *	9/2019	Dong	D3/279
D879,470 S *	3/2020	Panter	D3/279
D881,573 S *	4/2020	Liu	D3/303

Observer, Away just launched your new favorite expandable suitcase, posted Oct. 10, 2019, [online], visited [Apr. 24, 2020]. Internet, <URL: <https://observer.com/2019/10/away-luggage-launches-new-expandables-collection-suitcases/>> (Year: 2019).

Youtube, See why the Tumi Alpha 2 Expandable Carry-On is among the best, posted Mar. 23, 2016, [online], [visited Apr. 24, 2020]. Internet, <URL: https://www.youtube.com/watch?v=h_KXod-3OTA> (Year: 2016).

Notice of Allowance issued on May 5, 2020, by the U.S. Patent and Trademark Office in related U.S. Appl. No. 35/505,387. (10 pages).

Notice of Search Report in Design Application No. 2017-012839 dated Feb. 2, 2018 with English translation.

Notice of Search Report in Design Application No. 2017-012840 dated Feb. 2, 2018 with English translation.

Korean Design Patent Publication, vol.1455, (Oct. 31, 1996), p. 6, 185926, (Publicly Known Material No. HH09054570 edited by Design Division of Japan Patent Office).

Designboom, Super Functional Muji Collapsible Suitcase, posted Dec. 27, 2017, [online], [visited May 3, 2019]. Internet, URL: <https://www.designboom.com/design/muji-collapsible-suitcase-luggage-12-27-2017/> (Year: 2017).

Amazon, Briggs and Riley Suitcase, posted Aug. 26, 2016, [online], visited May 3, 2019]. Internet, URL: https://www.amazon.co.uk/Briggs-Riley-Baseline-Expandable-Suitcase/dp/B01E9XY770/ref=olp_product_details?_encoding=UTF8&me= (Year: 2016).

* cited by examiner

FIG. 1

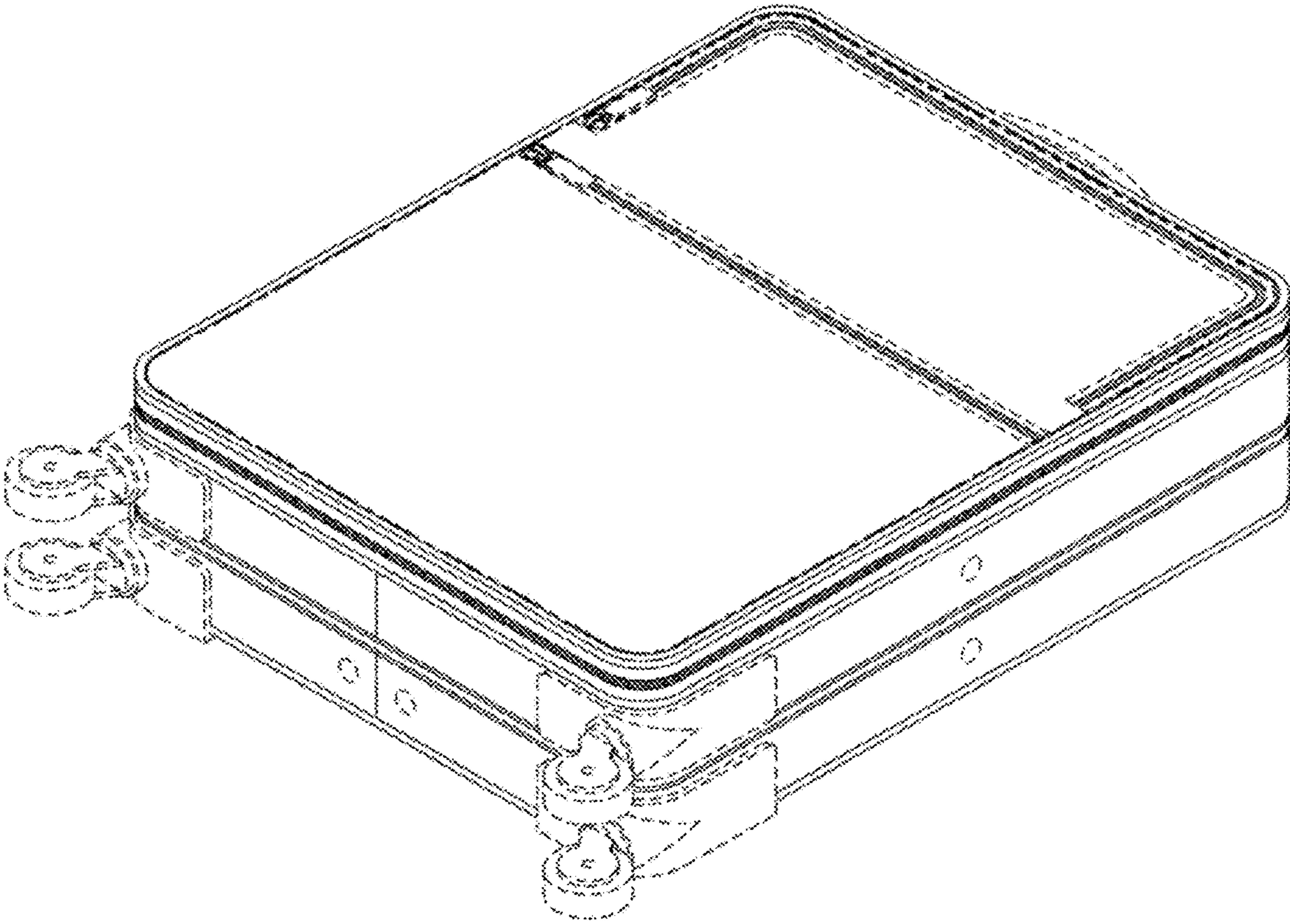


FIG. 2

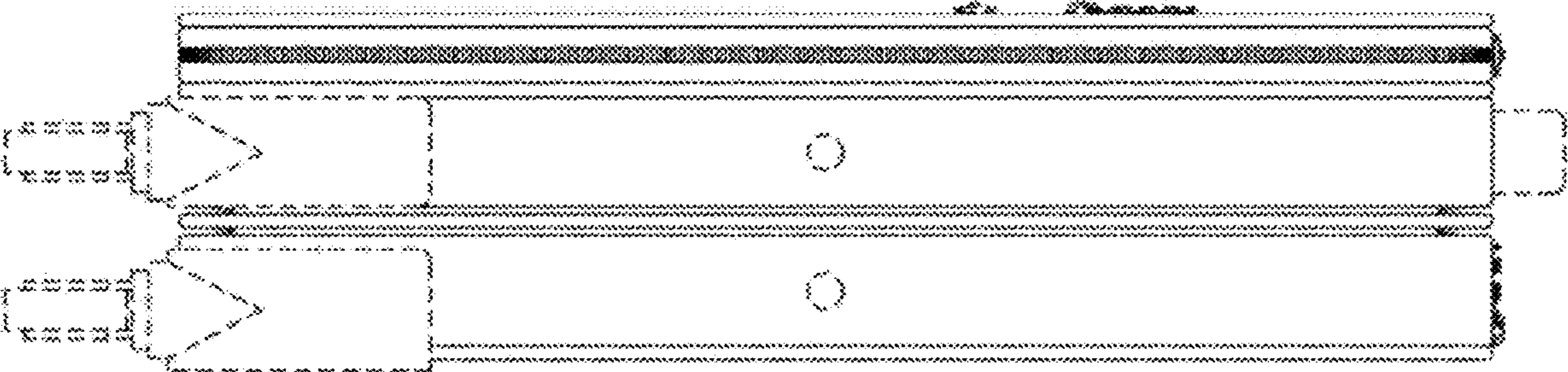


FIG. 3

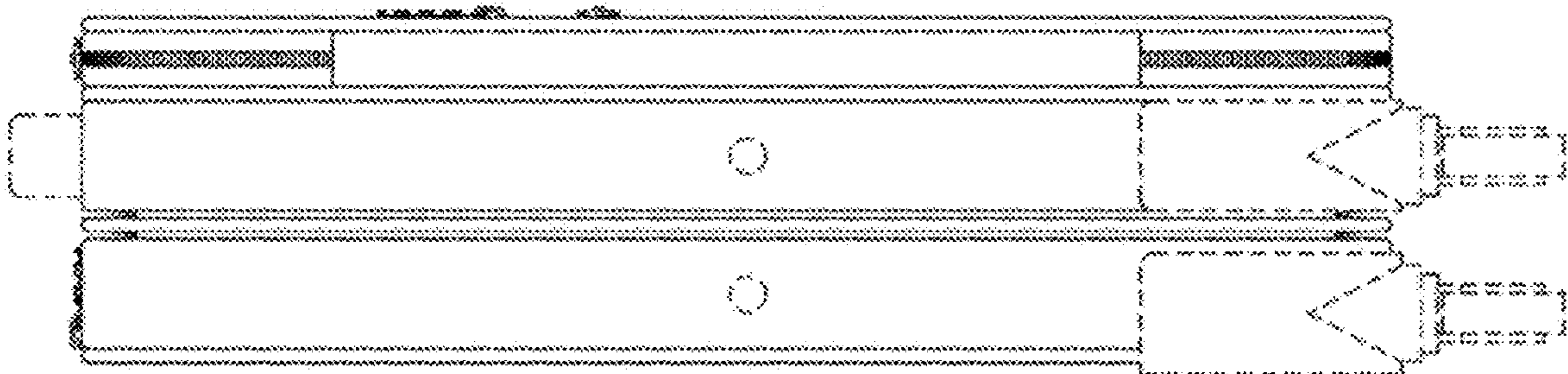


FIG. 4

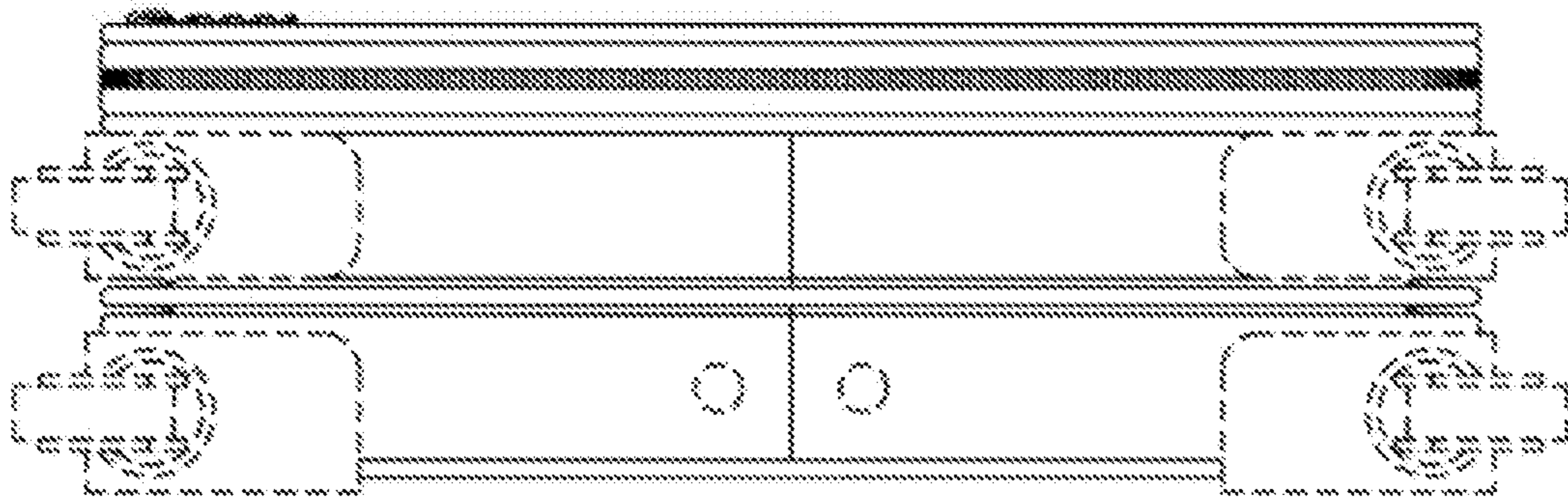


FIG. 5

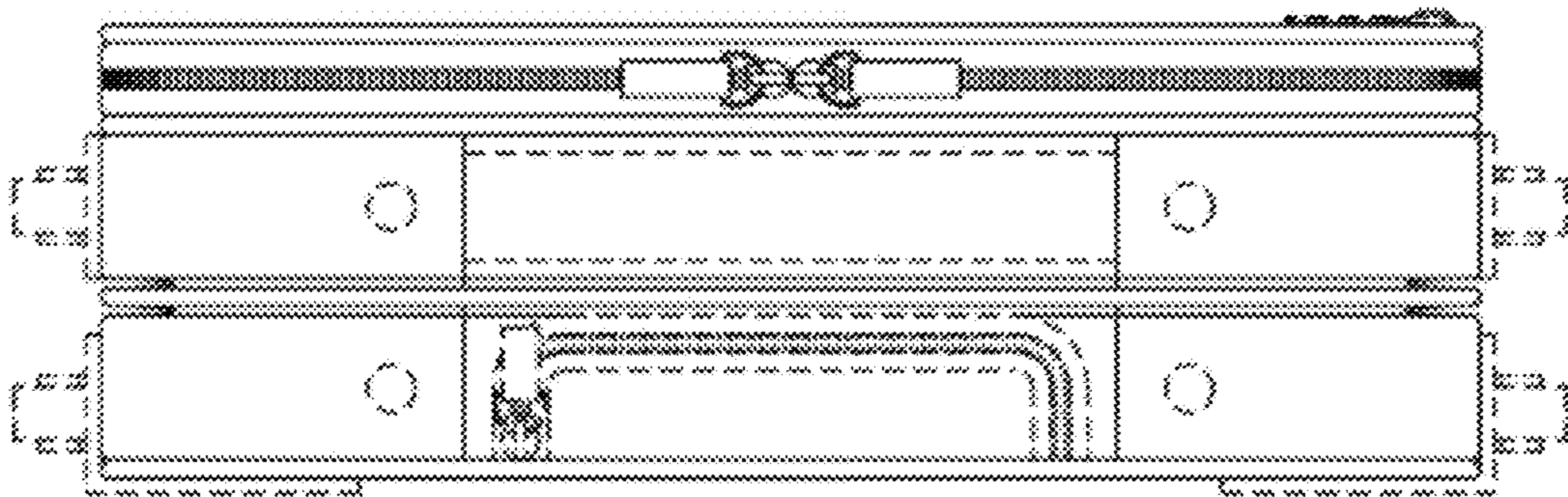


FIG. 6

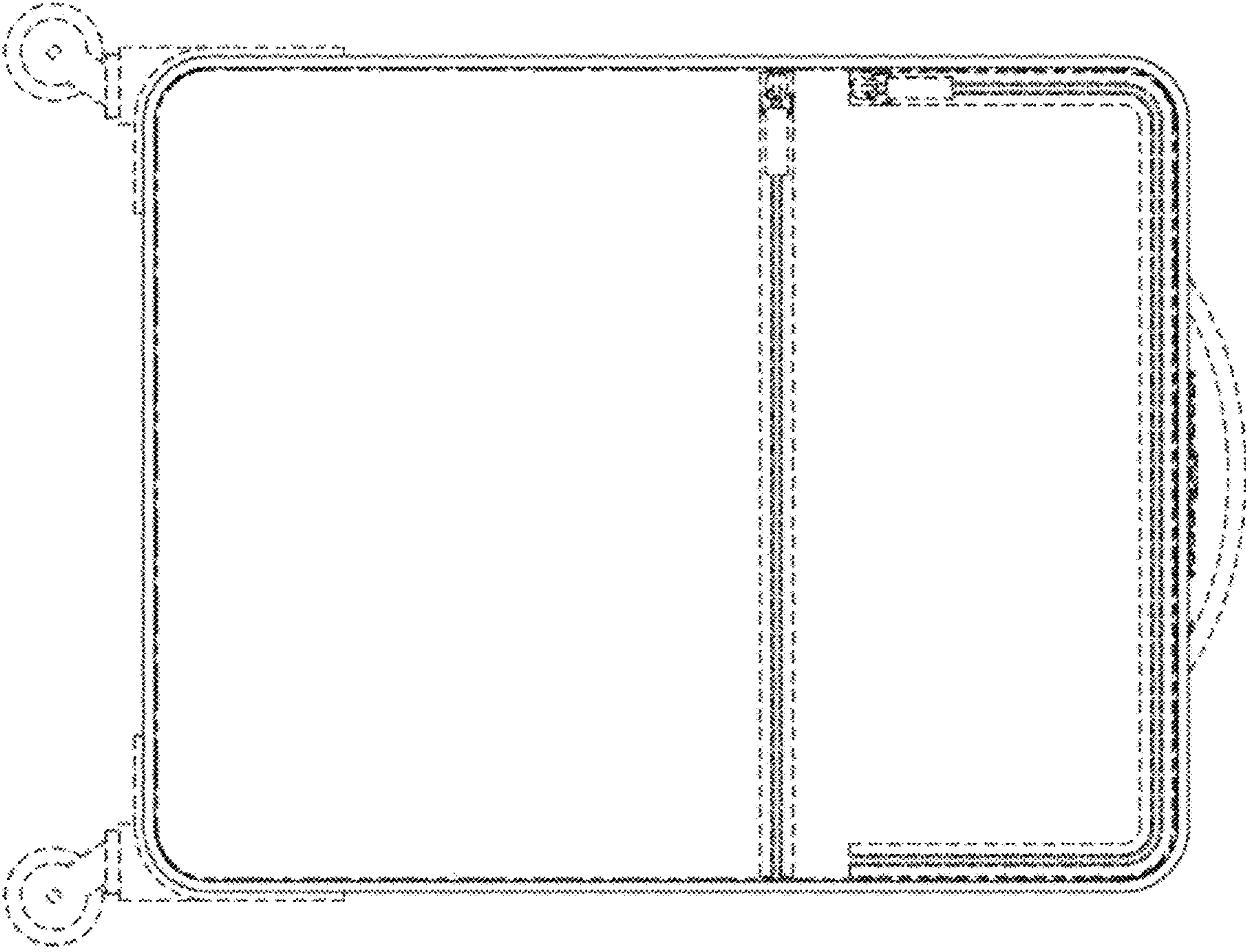


FIG. 7

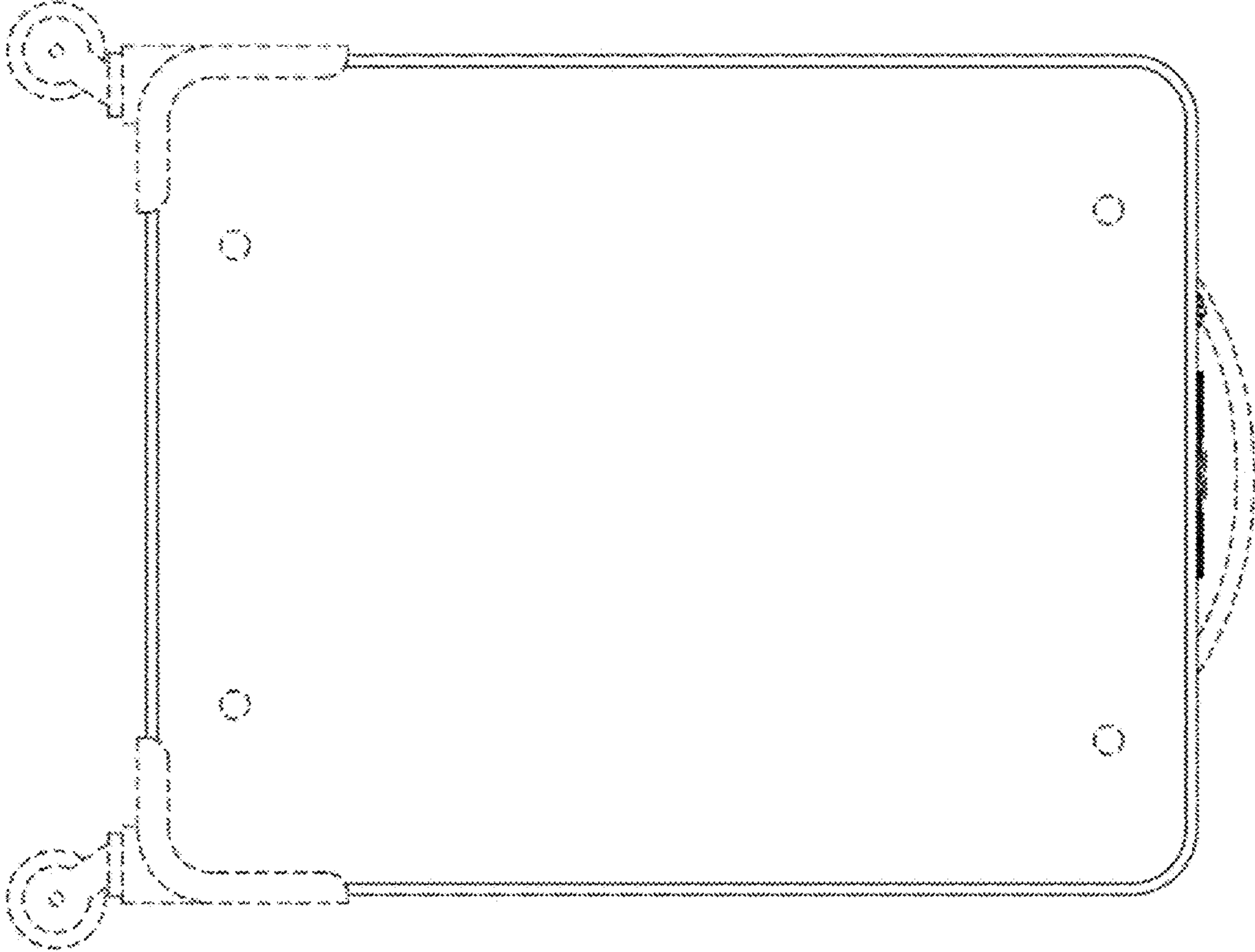


FIG. 8

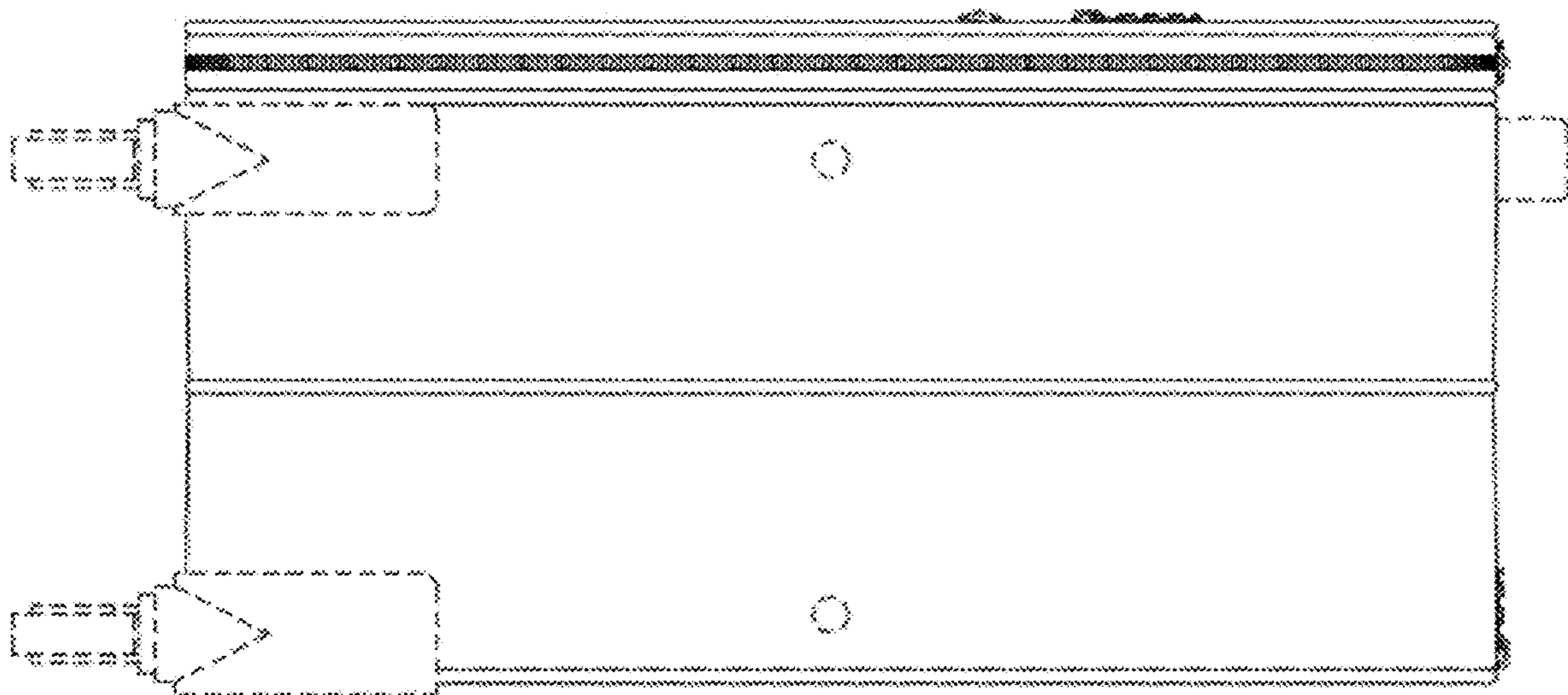


FIG. 9

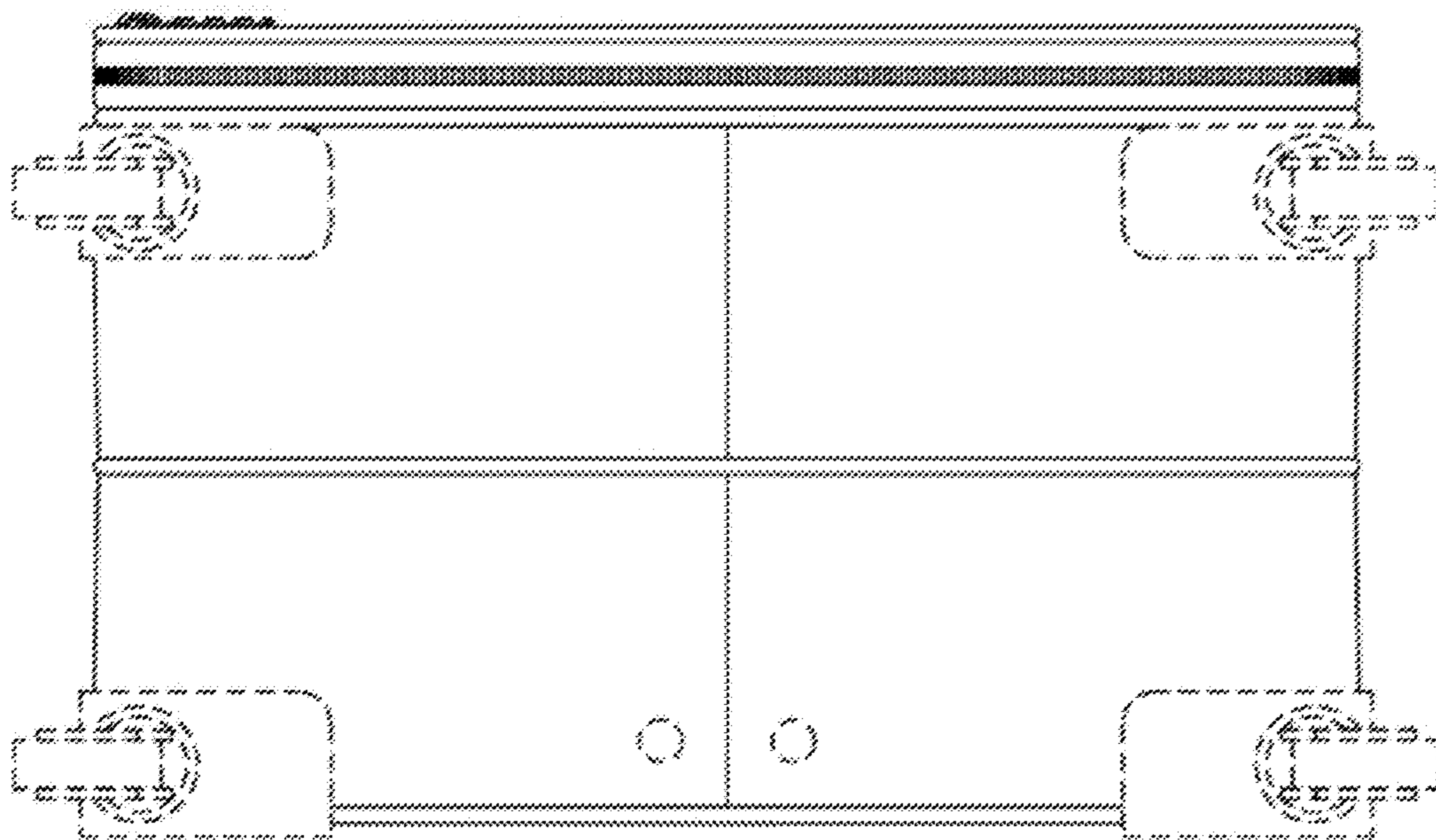


FIG. 10

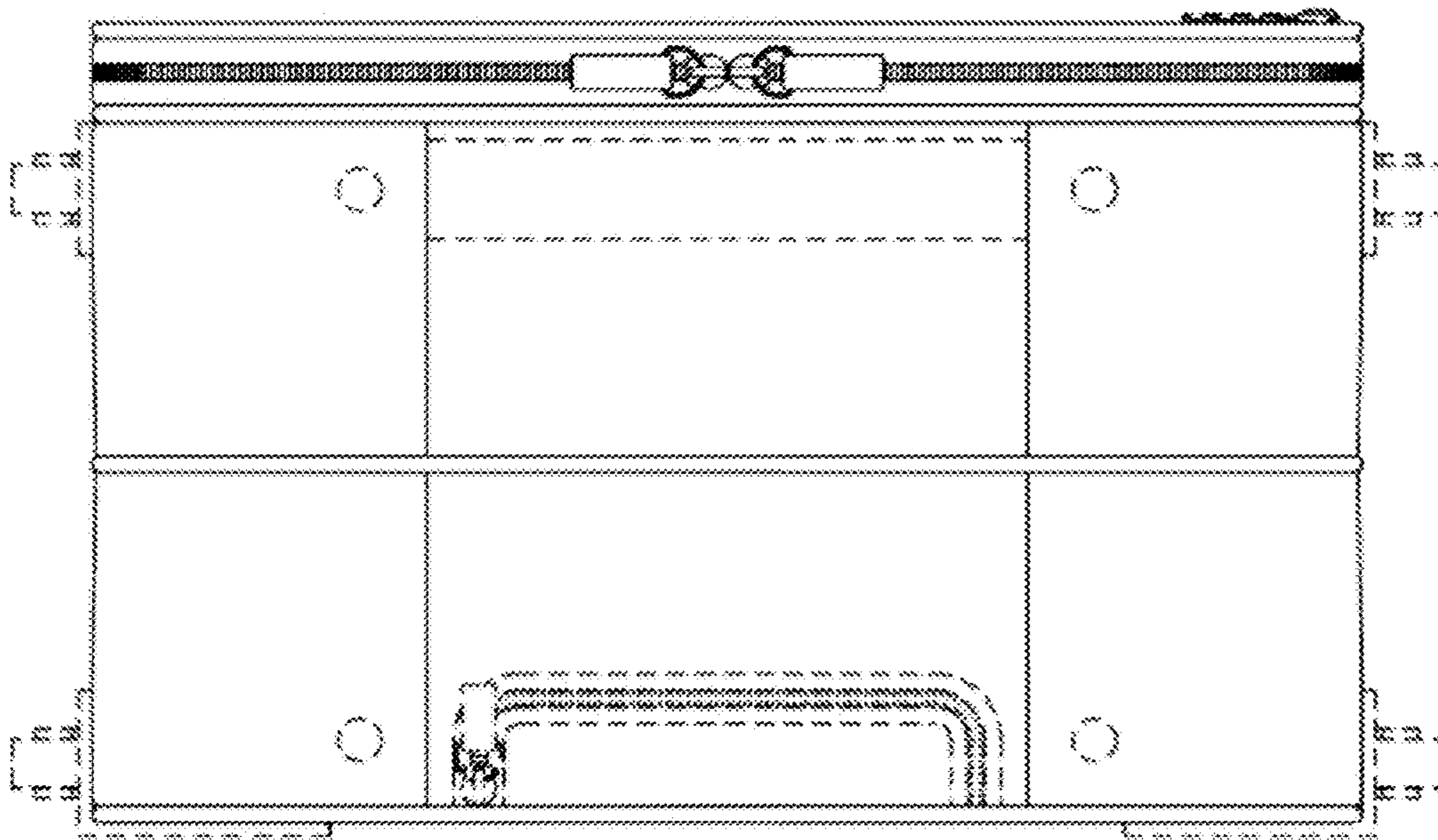


FIG. 11

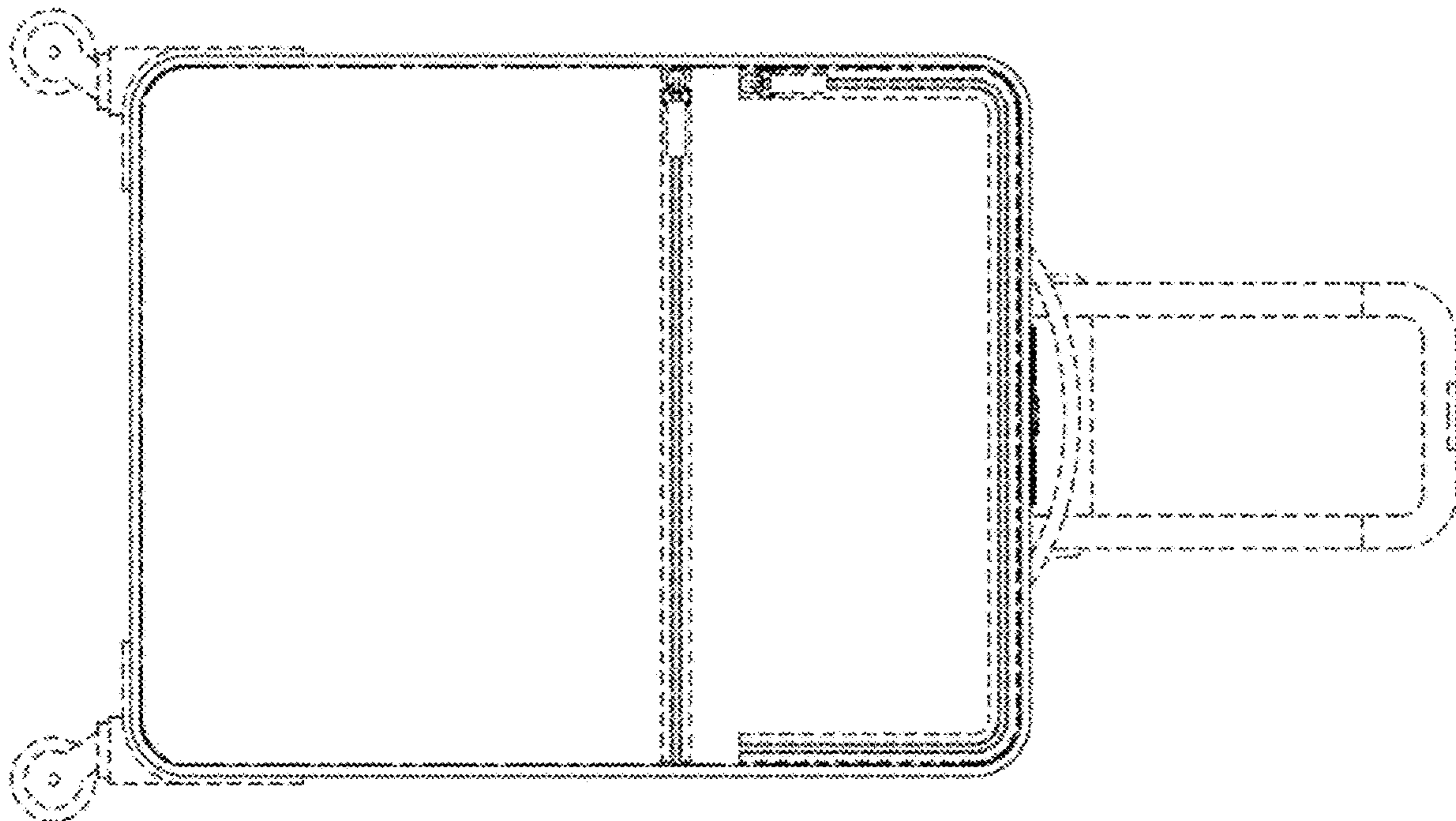


FIG. 12

