



US00D902585S

(12) **United States Design Patent**  
**Chen**

(10) **Patent No.:** **US D902,585 S**

(45) **Date of Patent:** **\*\* Nov. 24, 2020**

(54) **TRUNK**

(71) Applicant: **Chih-Pin Chen**, Taichung (TW)

(72) Inventor: **Chih-Pin Chen**, Taichung (TW)

(\*\*) Term: **15 Years**

(21) Appl. No.: **29/677,126**

(22) Filed: **Jan. 17, 2019**

(51) **LOC (12) Cl.** ..... **03-01**

(52) **U.S. Cl.**  
USPC ..... **D3/279**

(58) **Field of Classification Search**

USPC ..... D3/272, 273, 279, 289, 321, 902

CPC ..... A45C 5/03; A45C 2005/032; A45C  
2005/037; A45C 2009/005; A45C 5/14

See application file for complete search history.

Amazon, "Coolife Luggage Expandable(only 28") Suitcase 3 Piece Set with TSA Lock Spinner 20in24in28in (blue)", First reviewed Jul. 2, 2018. (<https://www.amazon.com/Coolife-Luggage-Expandable-Suitcase-20in24in28in/dp/B07C2NTWXQ?th=1>) (Year: 2018).\*

\* cited by examiner

*Primary Examiner* — April Rivas

(74) *Attorney, Agent, or Firm* — WPAT, PC

(57) **CLAIM**

The ornamental design for a trunk, as shown and described.

**DESCRIPTION**

FIG. 1 is a front perspective view of a trunk showing my new design;

FIG. 2 is a front elevational view thereof;

FIG. 3 is a rear elevational view thereof;

FIG. 4 is a left side elevational view thereof;

FIG. 5 is a right side elevational view thereof;

FIG. 6 is a top plan view thereof;

FIG. 7 is a bottom plan view thereof;

FIG. 8 is a bottom front perspective view thereof; and,

FIG. 9 is a top rear perspective view thereof.

The broken lines depict portions of the article that form no part of the claimed design.

(56) **References Cited**

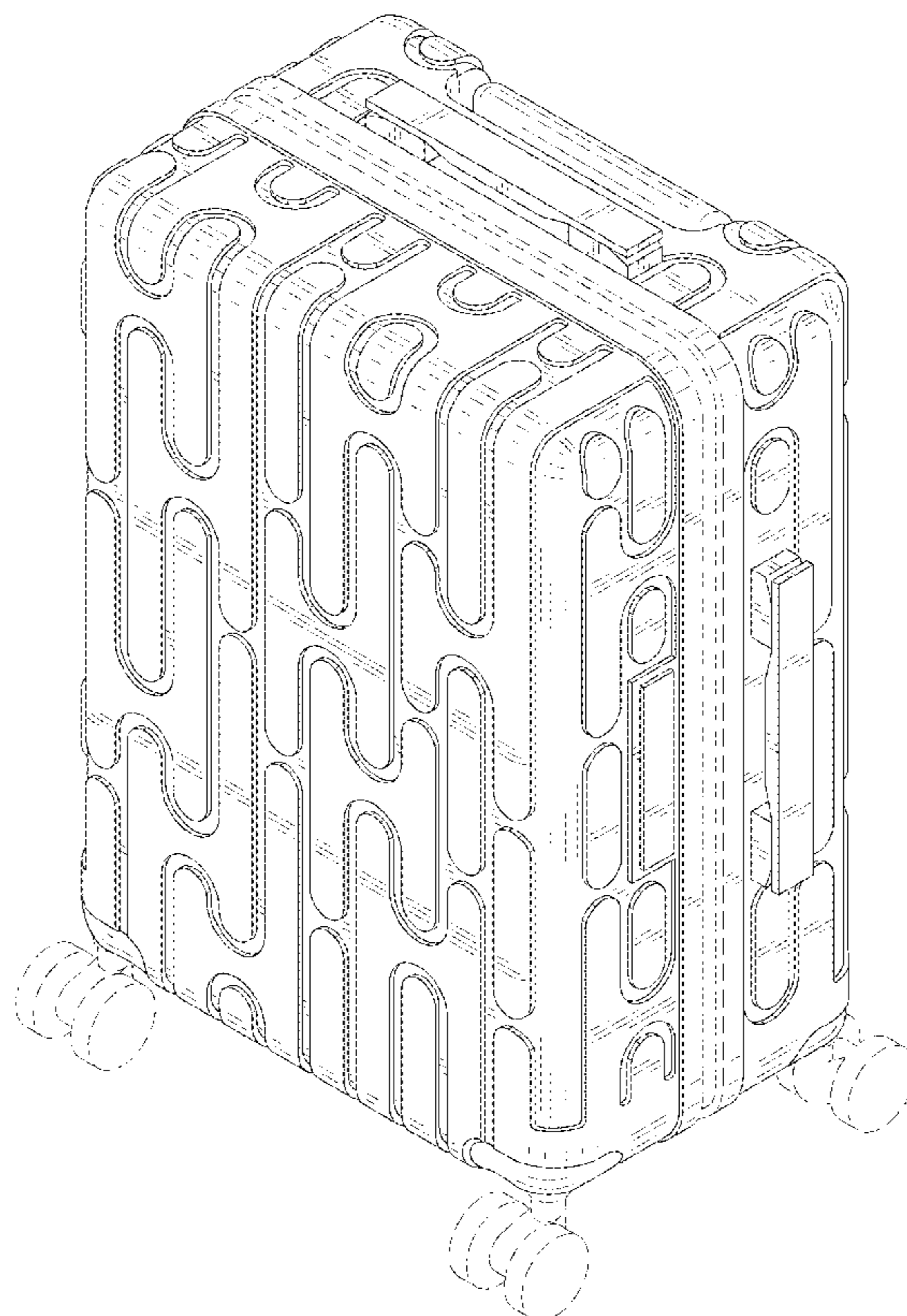
U.S. PATENT DOCUMENTS

D664,355 S *	7/2012	Moon	.....	D3/279
D732,823 S *	6/2015	Baron	.....	D3/276
D743,697 S *	11/2015	Tooze	.....	D3/279
D834,313 S *	11/2018	Teng	.....	D3/279
D885,761 S *	6/2020	Wu	.....	D3/279
2011/0284334 A1 *	11/2011	Cheng	.....	A45C 5/14 190/18 A

OTHER PUBLICATIONS

Amazon, "Mia Toro Italy Gelato 3-piece Hardside Spinner Luggage Set Pink", First on sale Mar. 1, 2017. (<https://www.amazon.com/Mia-Toro-ITALY-3-piece-Hardside/dp/B01MSXDDQO>) (Year: 2017).\*

**1 Claim, 9 Drawing Sheets**



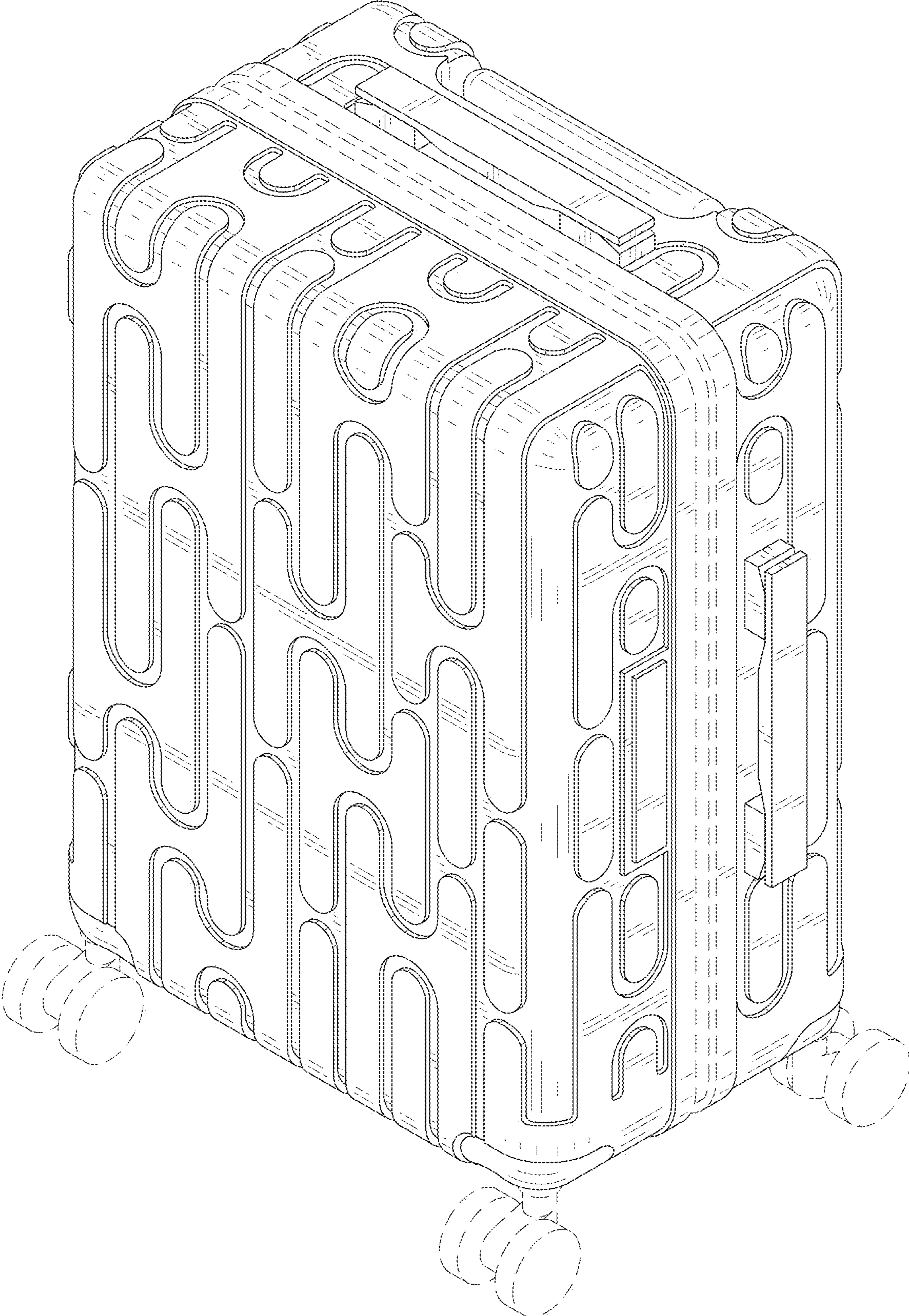


FIG. 1

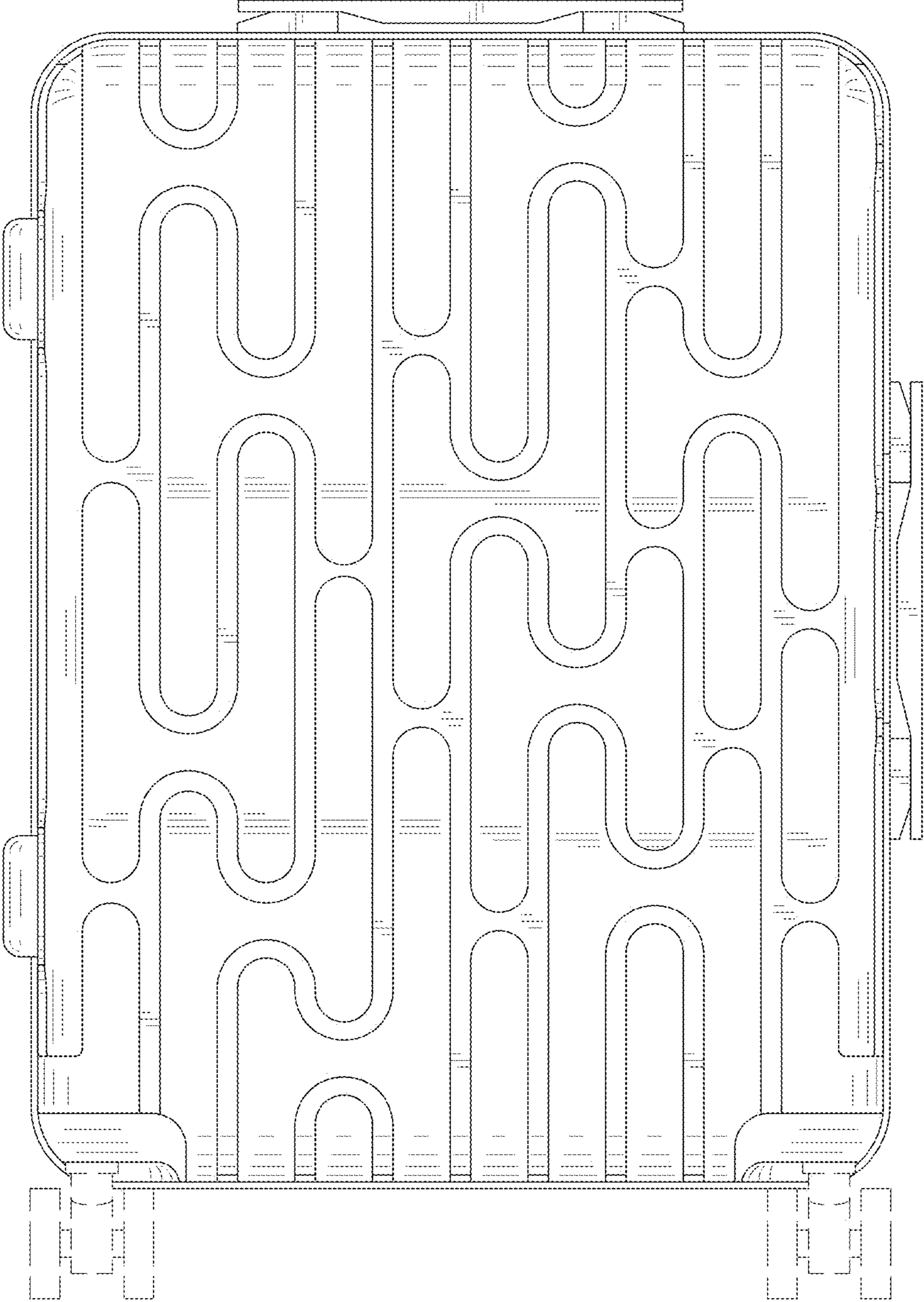


FIG. 2

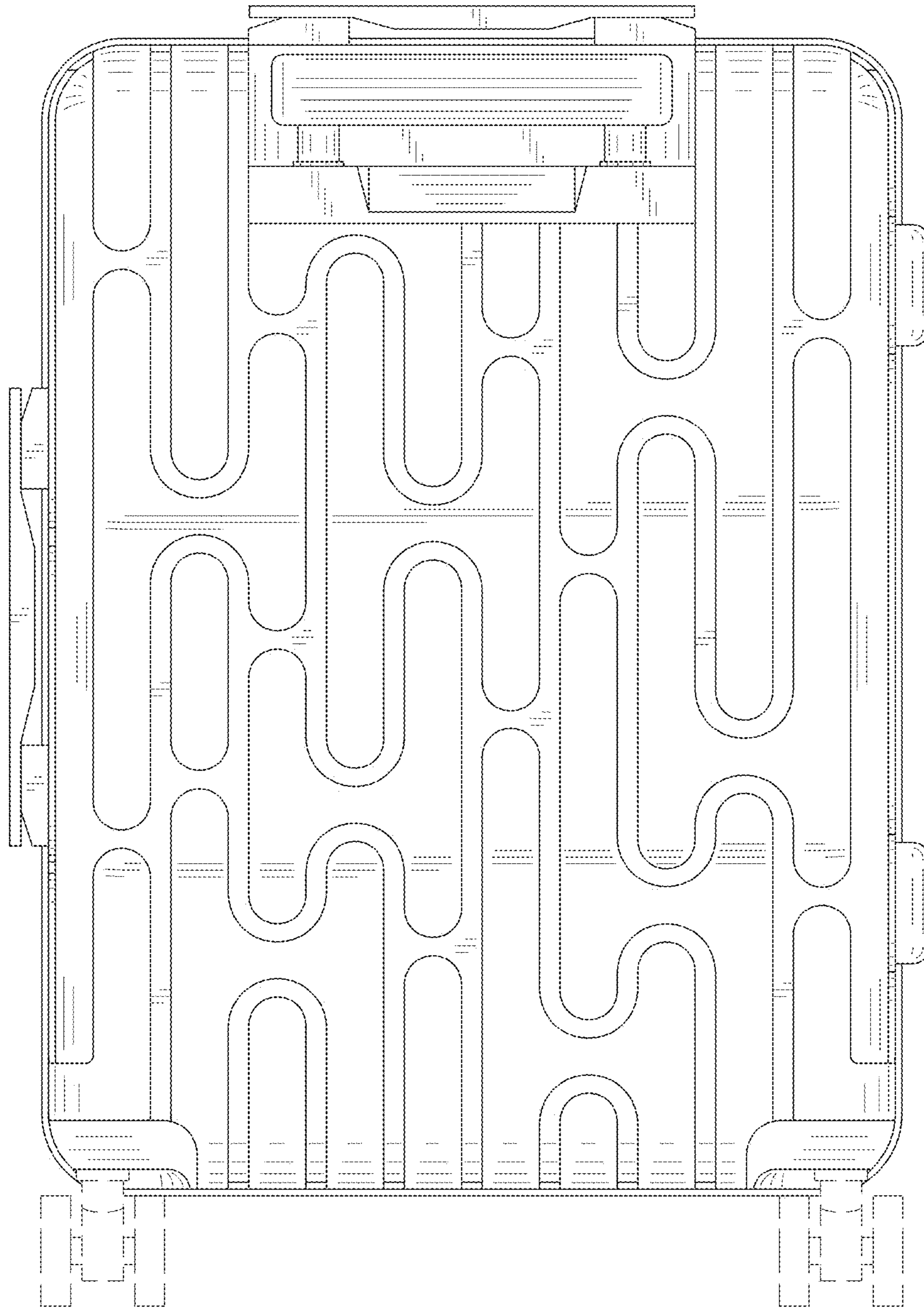


FIG. 3

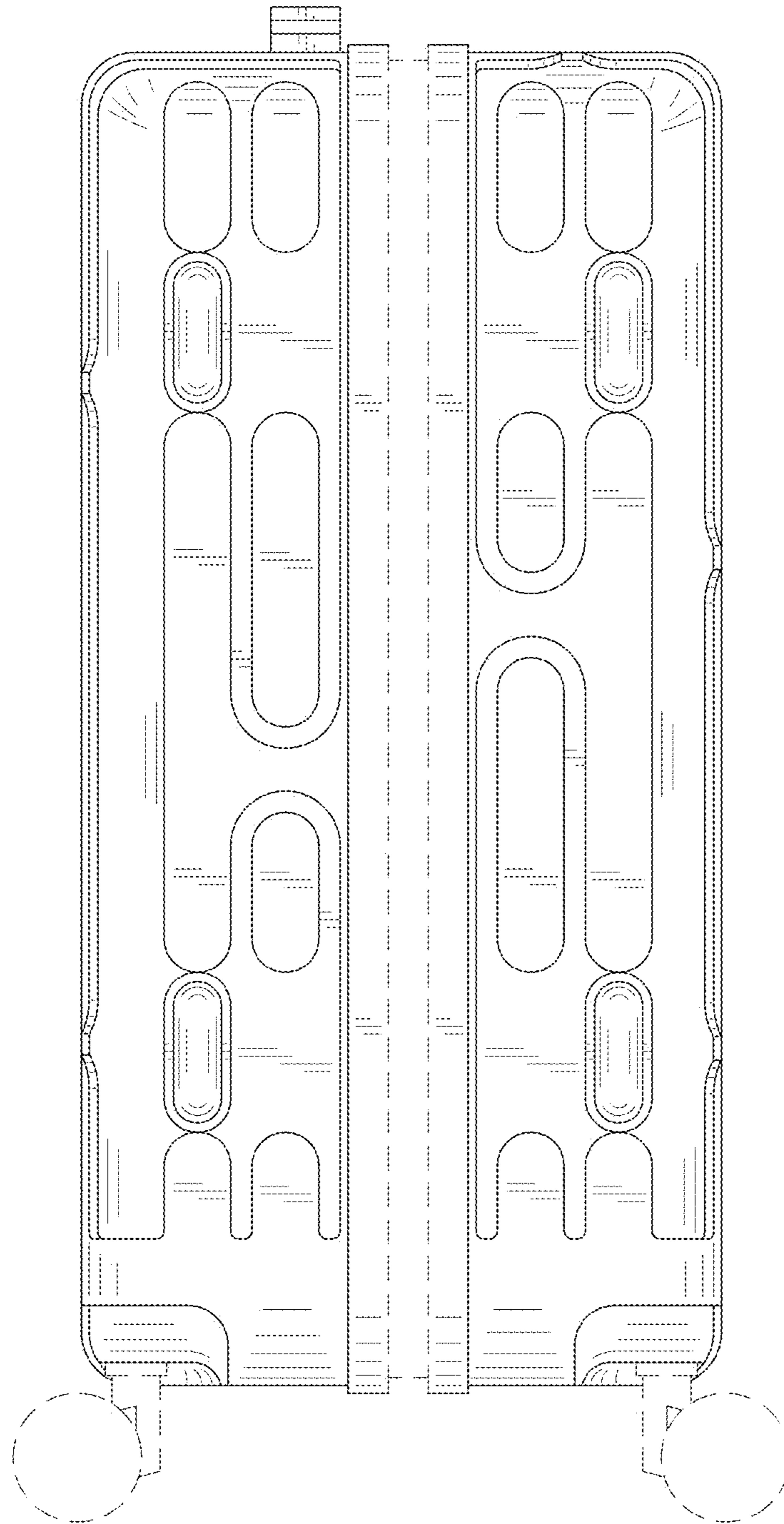


FIG. 4

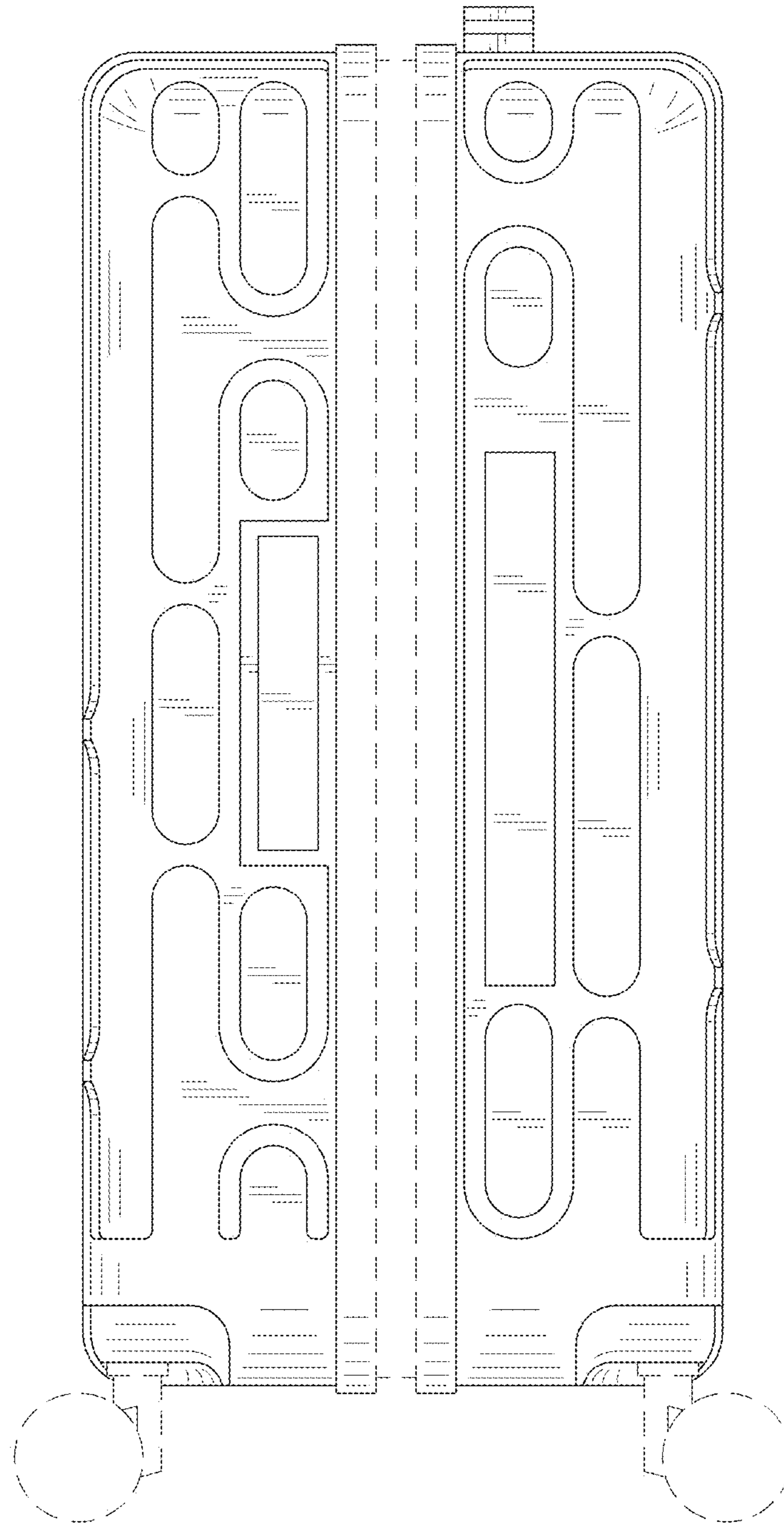


FIG. 5

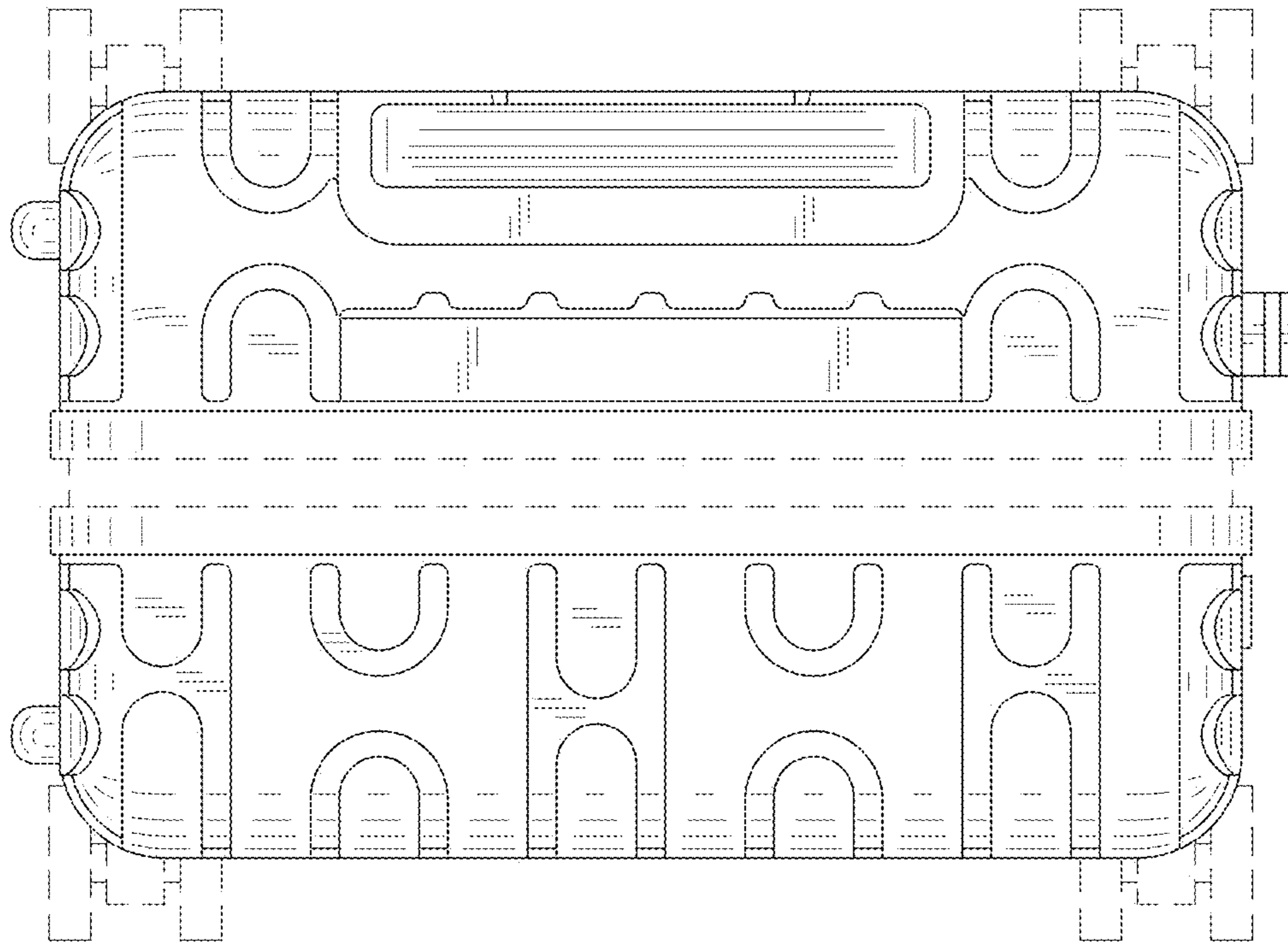


FIG. 6

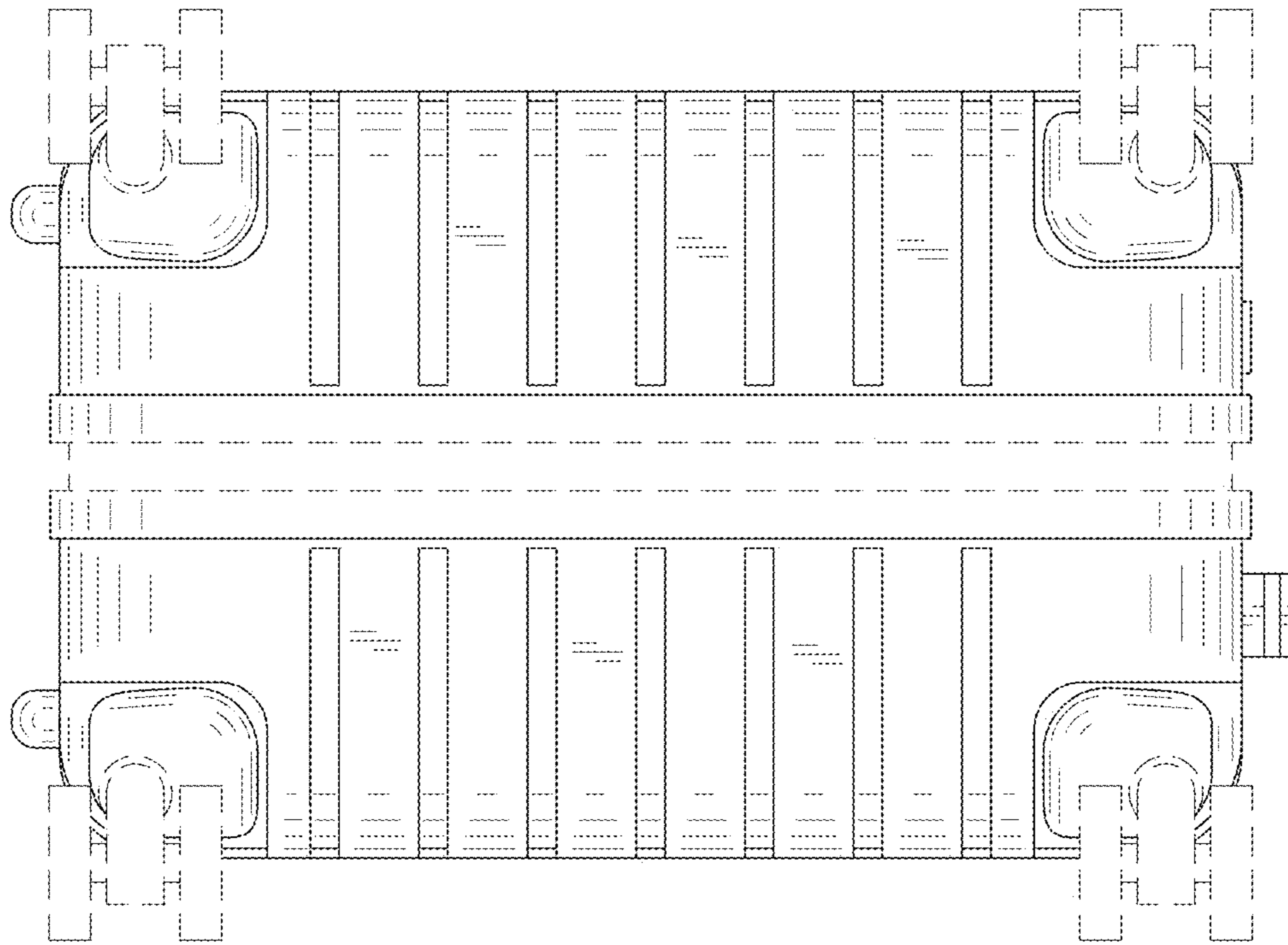


FIG. 7



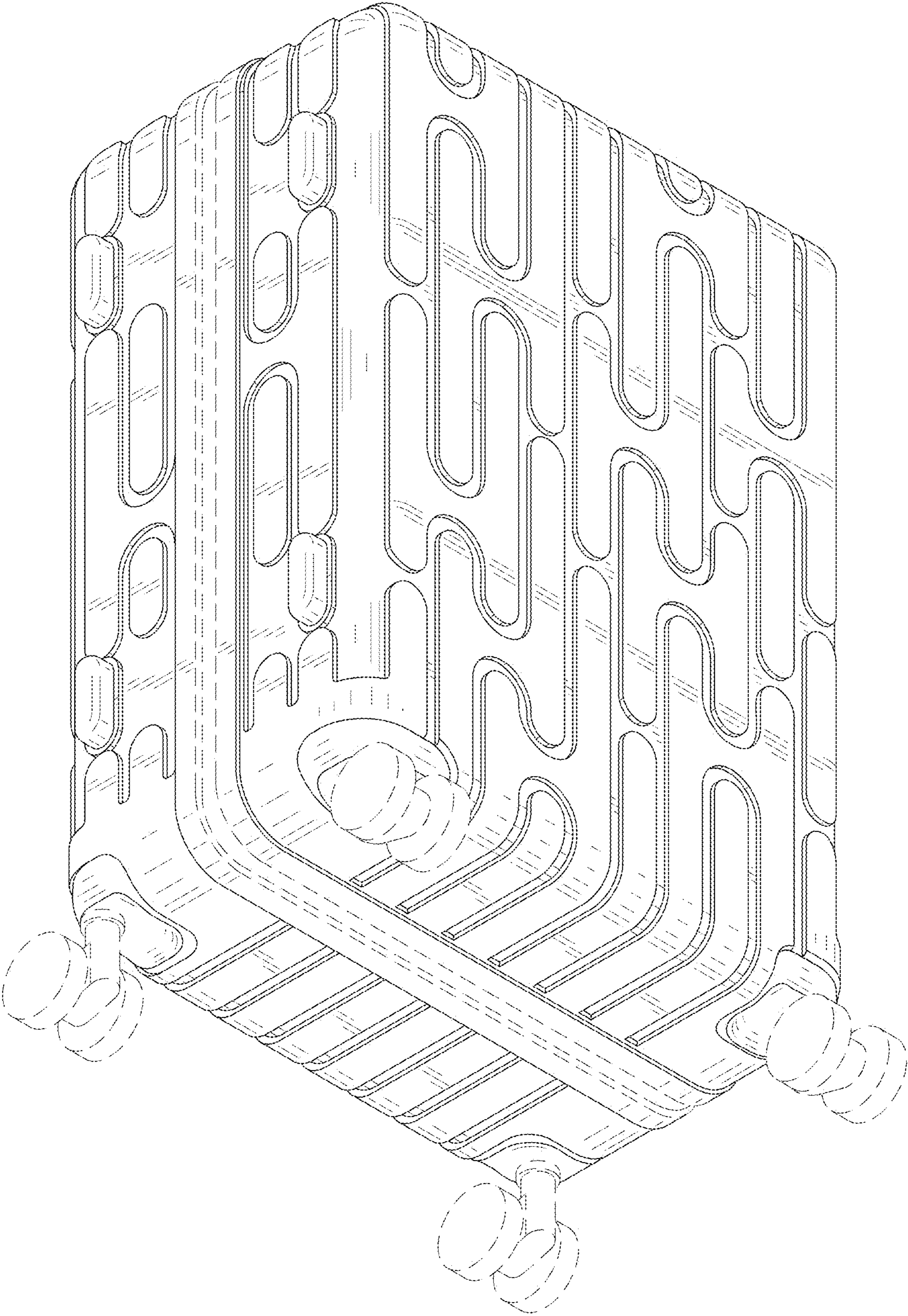


FIG. 8

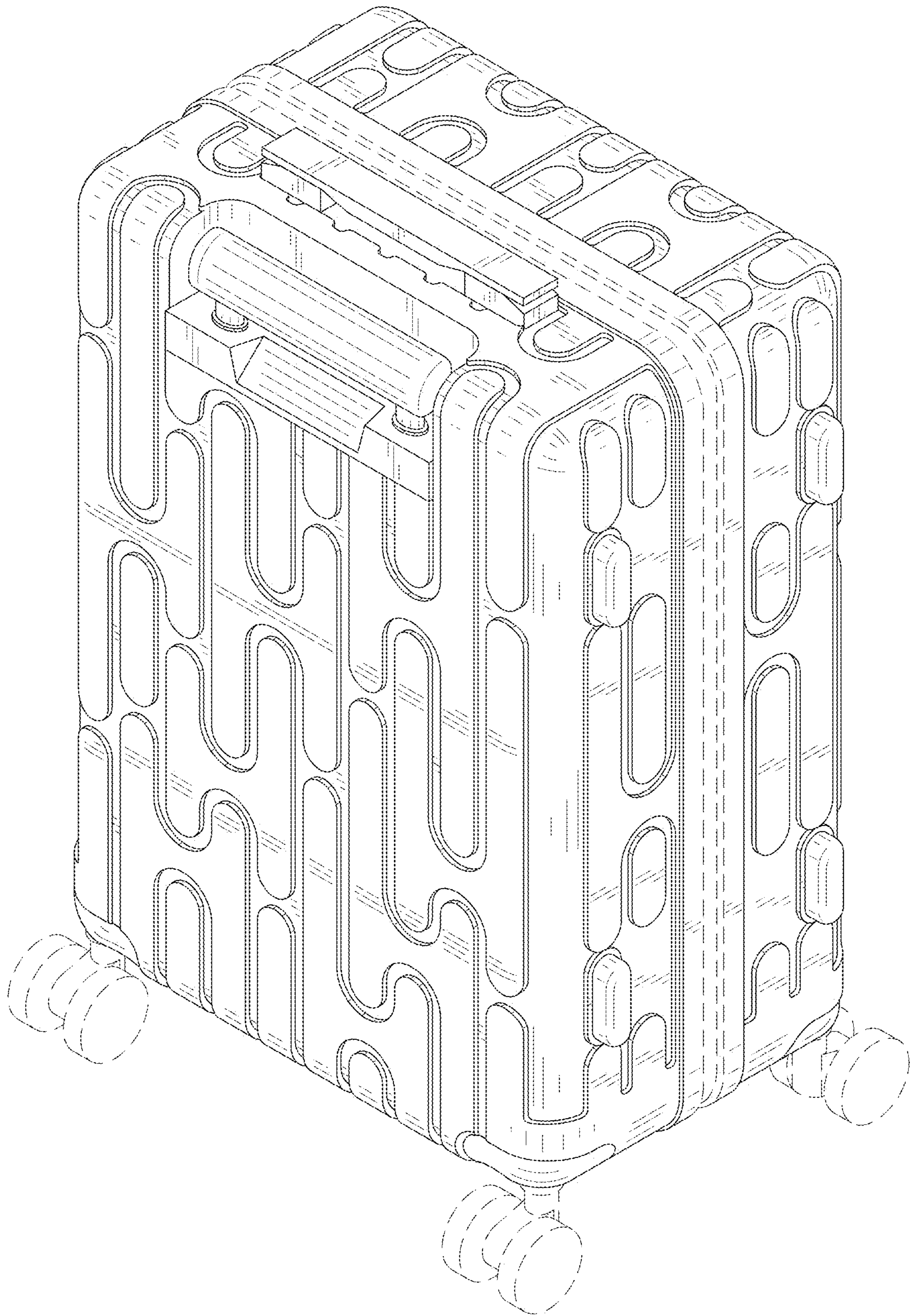


FIG. 9