



US00D902583S

(12) **United States Design Patent** (10) **Patent No.:** **US D902,583 S**  
**Thomas et al.** (45) **Date of Patent:** **\*\* Nov. 24, 2020**

(54) **HOLSTER DEVICE**

(71) Applicant: **GOT Pursuit, LLC**, Columbia, TN (US)

(72) Inventors: **George Thomas**, Columbia, TN (US);  
**Lia Thomas**, Columbia, TN (US)

(73) Assignee: **GOT Pursuit, LLC**, Columbia, TN (US)

(\*\*) Term: **15 Years**

(21) Appl. No.: **29/663,419**

(22) Filed: **Sep. 14, 2018**

(51) **LOC (12) Cl.** ..... **03-01**

(52) **U.S. Cl.**  
USPC ..... **D3/222**

(58) **Field of Classification Search**  
USPC ..... D3/222–223, 221, 215; 42/90;  
224/149–150, 197–198, 238, 243–244,  
224/257, 271, 911–913  
(Continued)

(56) **References Cited**

**U.S. PATENT DOCUMENTS**

3,127,075	A *	3/1964	Yavello	.....	F41C 33/003
					224/149
3,606,109	A *	9/1971	Brokus	.....	F41C 33/00
					224/149

(Continued)

**OTHER PUBLICATIONS**

GOT Pursuit LLC, Screenshots of Facebook posts dated Aug. 20, 2017, Oct. 15, 2017, Oct. 22, 2017 and Oct. 23, 2017, available at [www.facebook.com/gotpursuitllc/](http://www.facebook.com/gotpursuitllc/), Last Accessed Jun. 9, 2020, 6 pages.

*Primary Examiner* — Catherine R Oliver-Garcia

(74) *Attorney, Agent, or Firm* — Patterson Intellectual Property Law, P.C.; Grant Ford

(57) **CLAIM**

The ornamental design for a holster device, as shown and described.

**DESCRIPTION**

FIG. 1 is a front top perspective view showing the right-handed version of the holster device showing the new design;

FIG. 2 is a left bottom perspective view thereof;

FIG. 3 is a front elevation view thereof;

FIG. 4 is a rear elevation view thereof;

FIG. 5 is a left side elevation view thereof;

FIG. 6 is a right side elevation view thereof;

FIG. 7 is a top plan view thereof;

FIG. 8 is a bottom plan view thereof;

FIG. 9 is a front top perspective view showing the left-handed version of the holster device;

FIG. 10 is a left bottom perspective view thereof;

FIG. 11 is a front elevation view thereof;

FIG. 12 is a rear elevation view thereof;

FIG. 13 is a left side elevation view thereof;

FIG. 14 is a right side elevation view thereof;

FIG. 15 is a top plan view thereof;

FIG. 16 is a bottom plan view thereof;

FIG. 17 is a front top perspective view showing the right-handed version of a second embodiment of the design;

FIG. 18 is a left bottom perspective view thereof;

FIG. 19 is a front elevation view thereof;

FIG. 20 is a rear elevation view thereof;

FIG. 21 is a left side elevation view thereof;

FIG. 22 is a right side elevation view thereof;

FIG. 23 is a top plan view thereof;

FIG. 24 is a bottom plan view thereof;

FIG. 25 is a front top perspective view showing the left-handed version of the second embodiment of the holster device;

FIG. 26 is a left bottom perspective view thereof;

FIG. 27 is a front elevation view thereof;

FIG. 28 is a rear elevation view thereof;

FIG. 29 is a left side elevation view thereof;

(Continued)

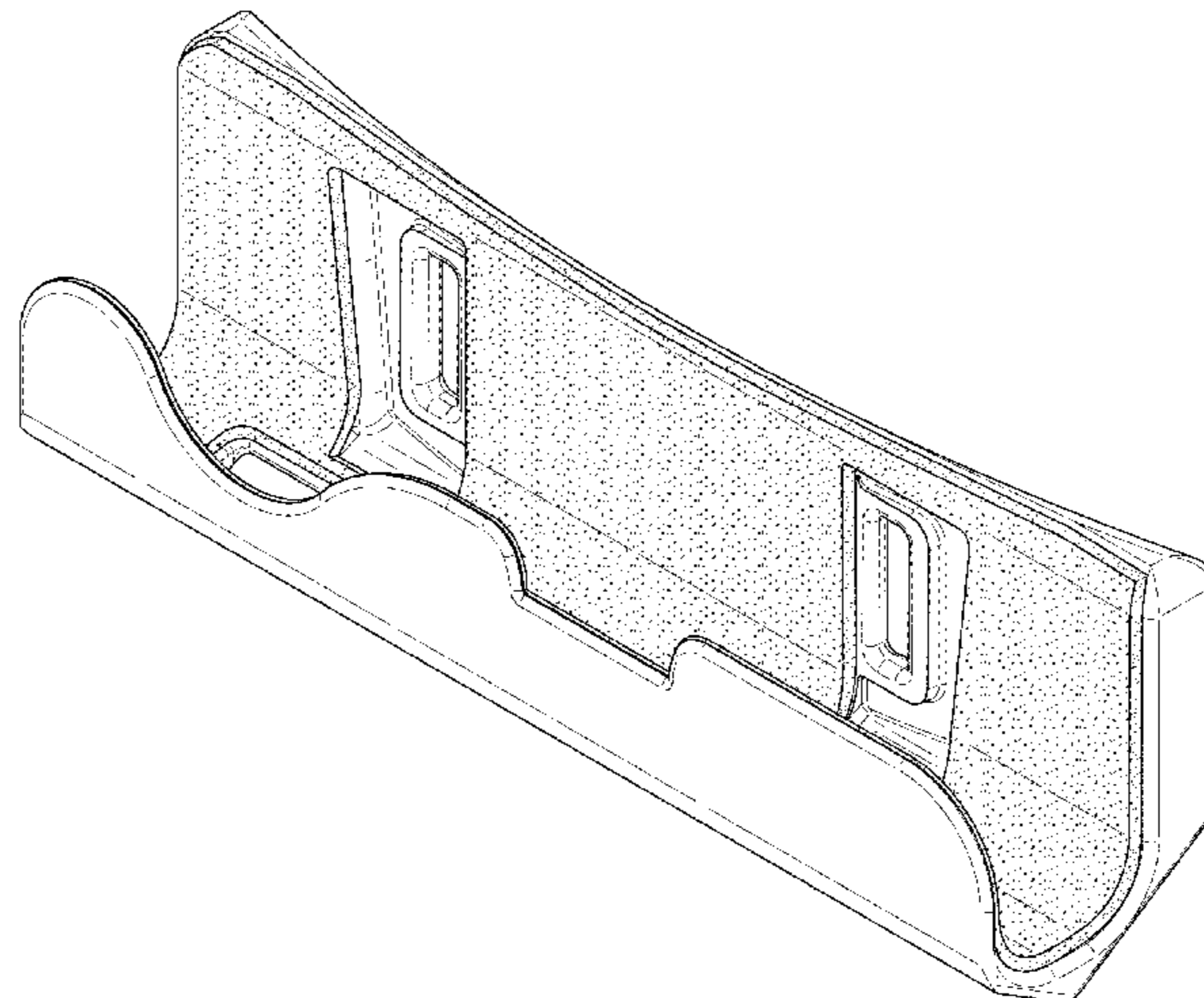


FIG. 30 is a right side elevation view thereof;  
FIG. 31 is a top plan view thereof; and,  
FIG. 32 is a bottom plan view thereof.  
In FIGS. 1-32, broken lines show portions of the holster  
device which form no part of the claimed design.

**1 Claim, 20 Drawing Sheets**

(58) **Field of Classification Search**

CPC ..... F41C 33/02; F41C 33/001; F41C 33/002;  
F41C 33/006; F41C 33/007; F41A 17/08  
See application file for complete search history.

(56) **References Cited**

U.S. PATENT DOCUMENTS

3,700,147	A *	10/1972	Vaughn	.....	F41C 33/005
					224/149
3,869,074	A *	3/1975	Roach	.....	F41C 33/005
					224/149
5,029,741	A *	7/1991	Easter	.....	F41C 33/001
					224/149
D644,429	S *	9/2011	Froyd	.....	D3/222
D756,106	S *	5/2016	Reisbeck	.....	D3/222
D771,376	S *	11/2016	Ray	.....	D3/222

\* cited by examiner

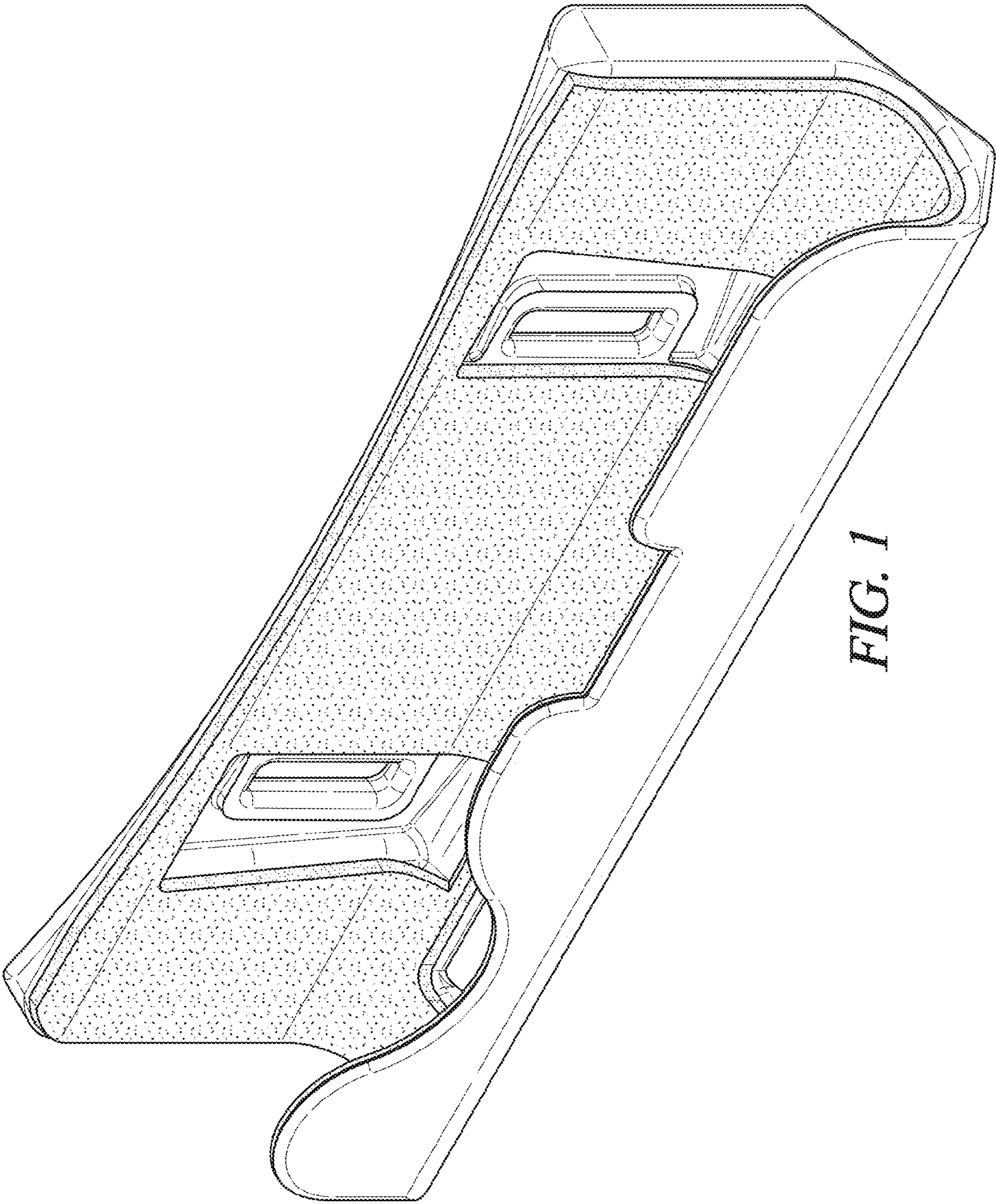


FIG. 1

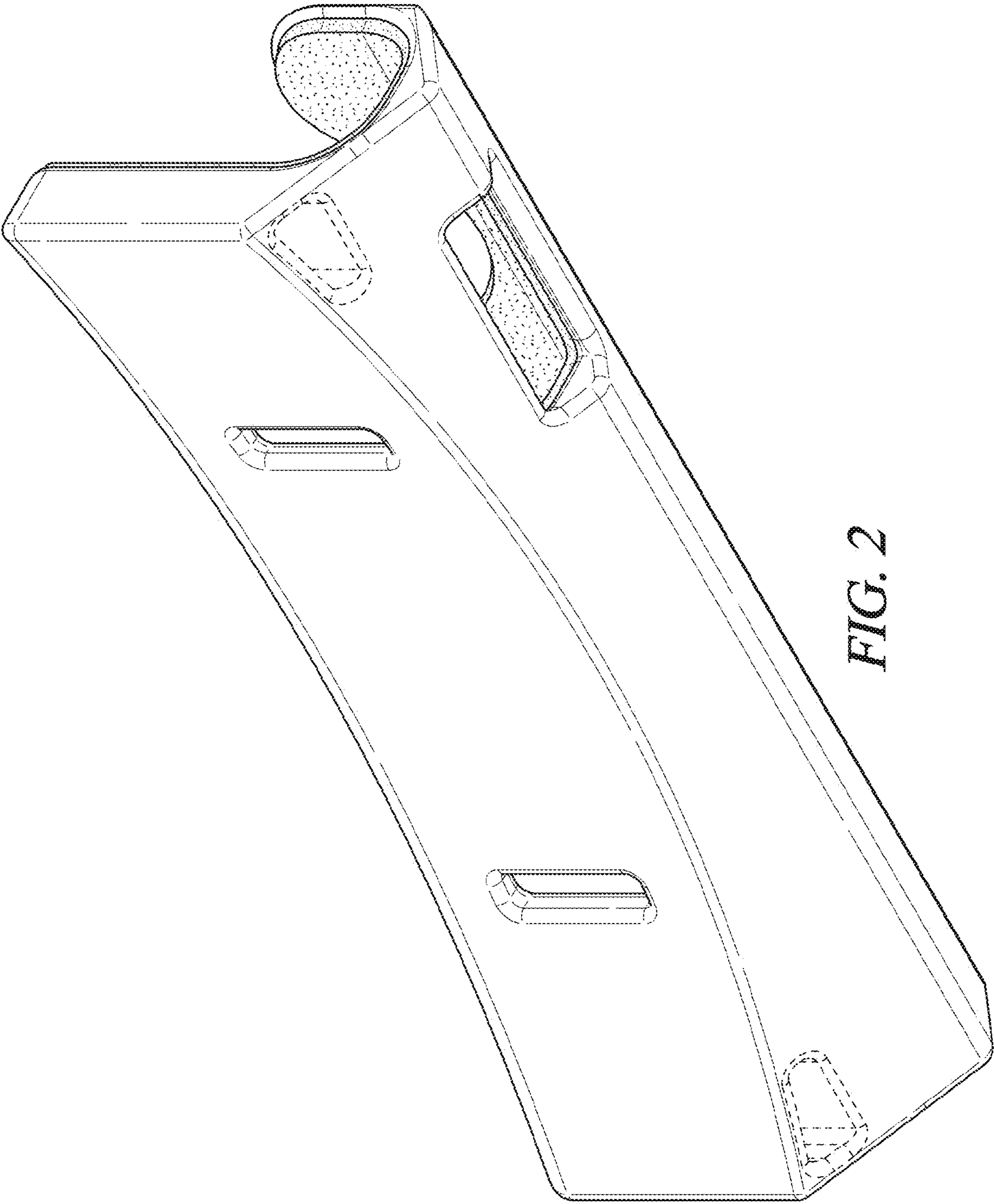
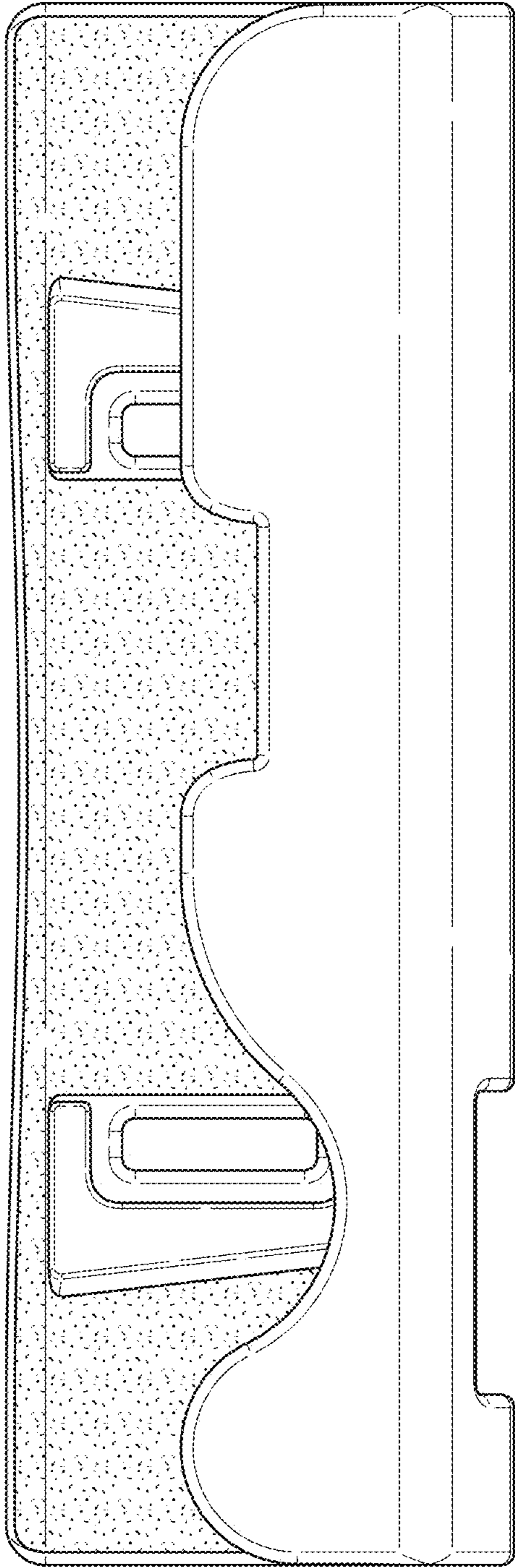
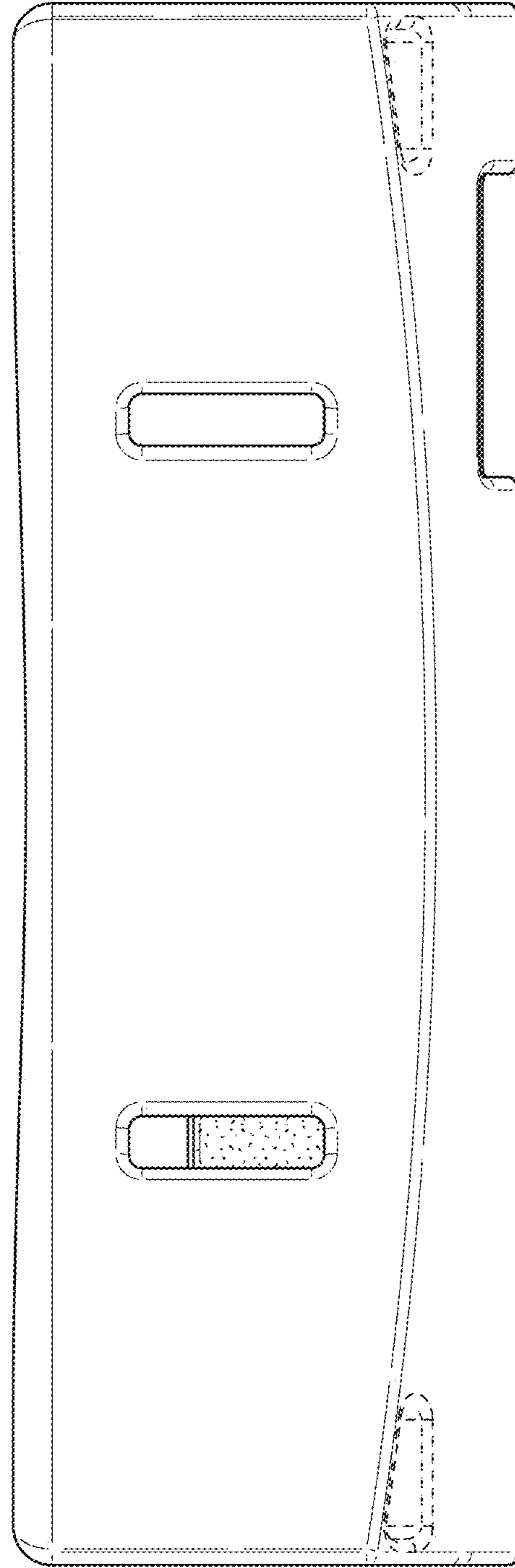


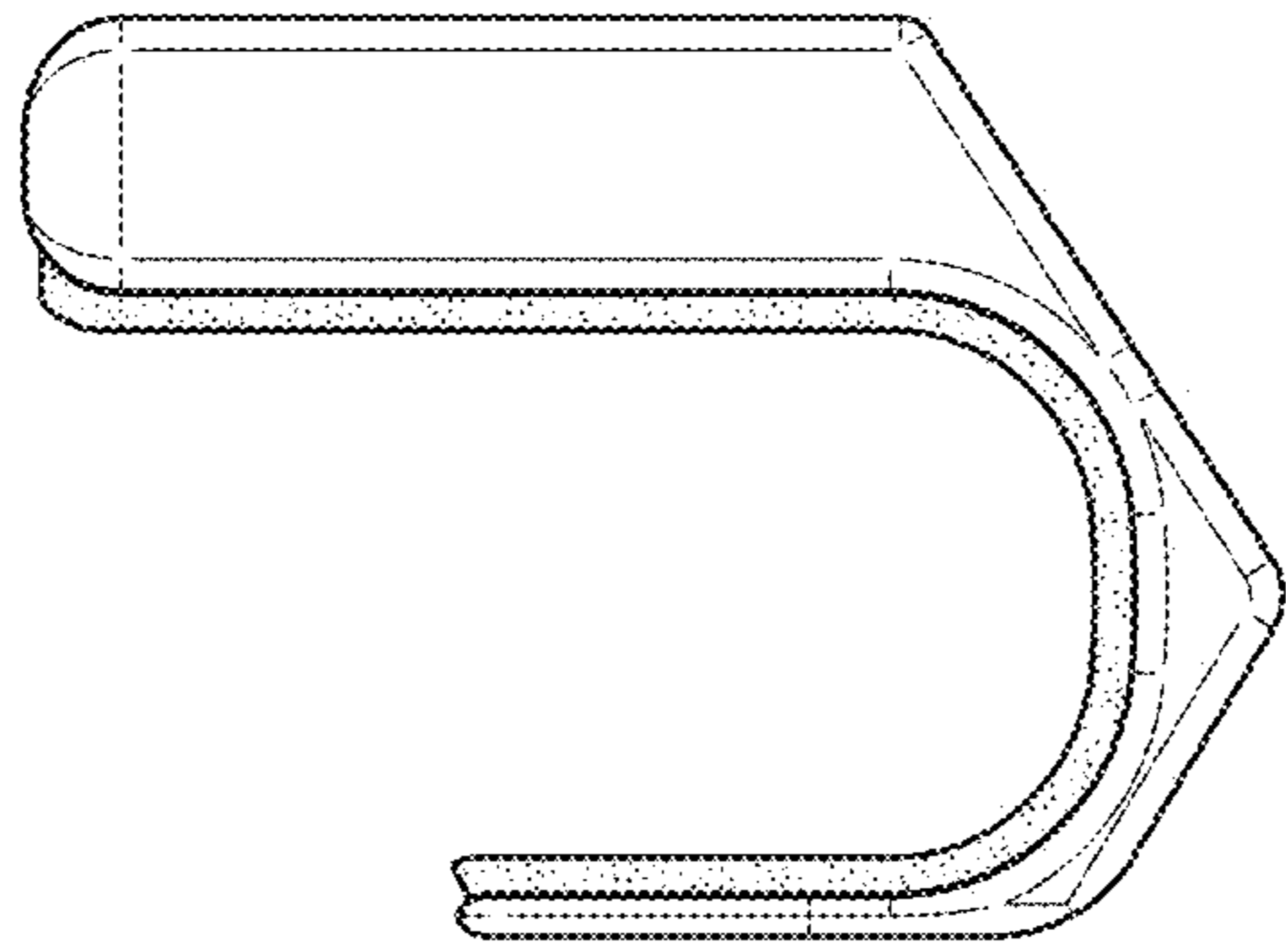
FIG. 2



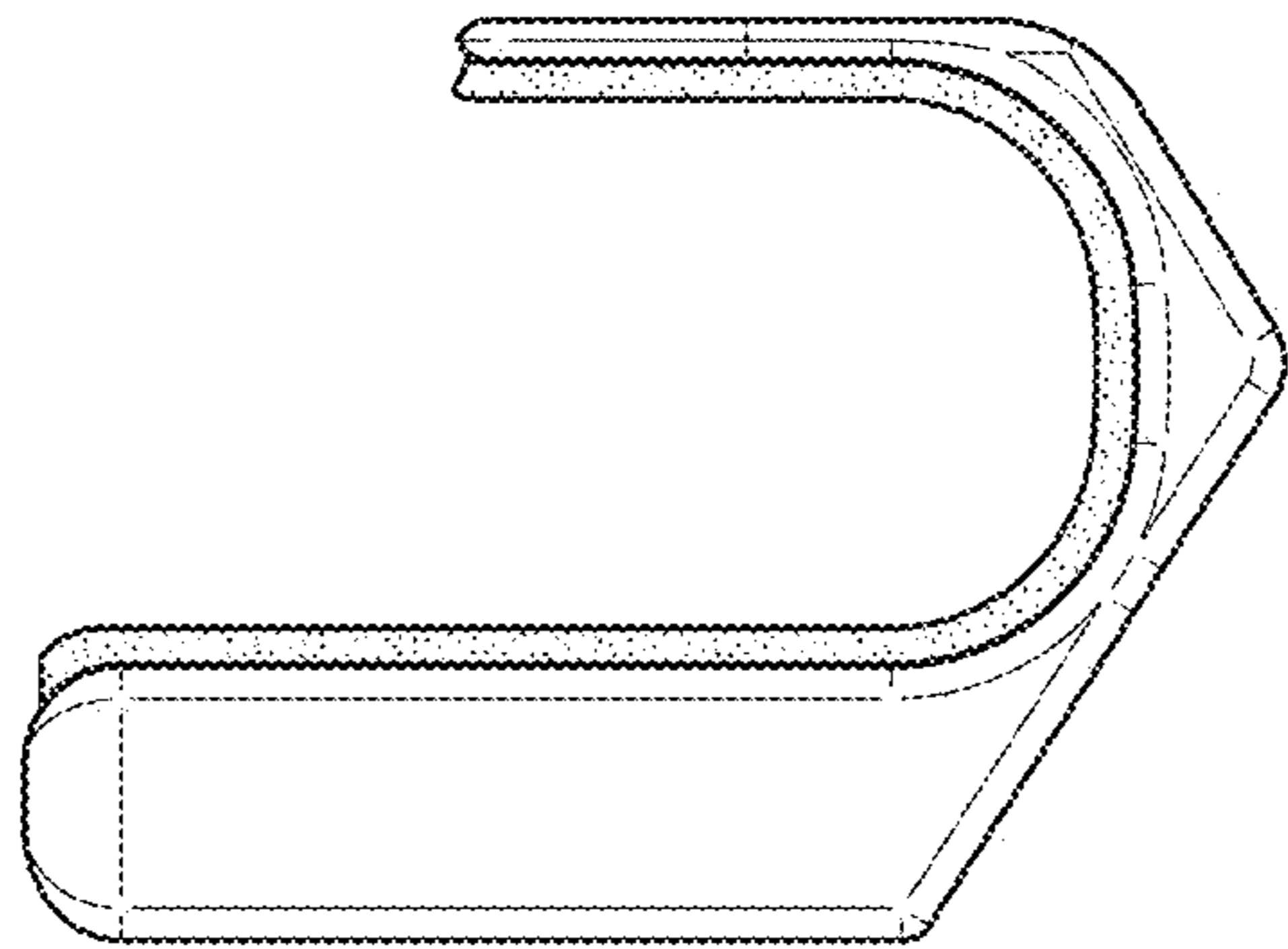
*FIG. 3*



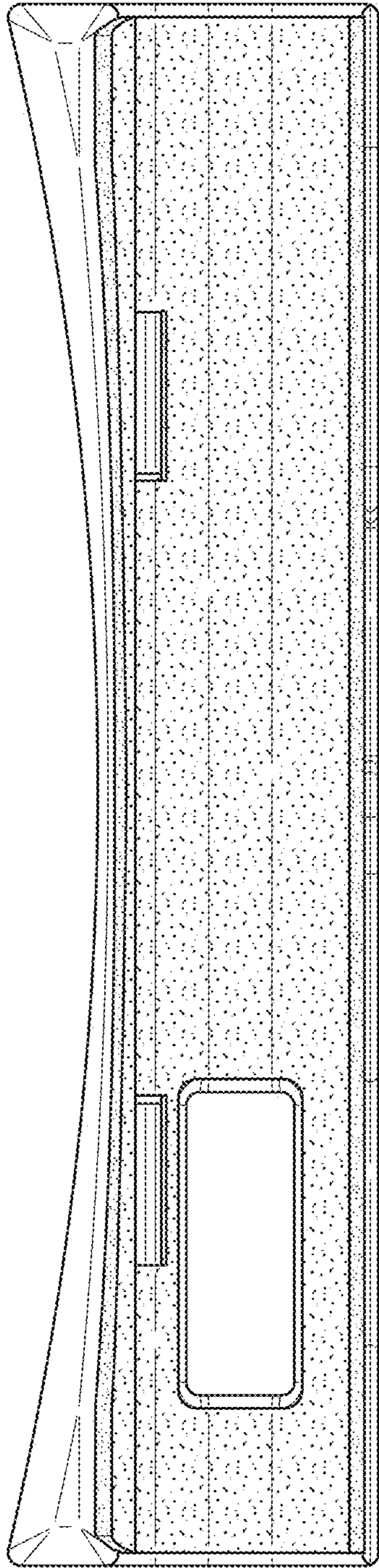
*FIG. 4*



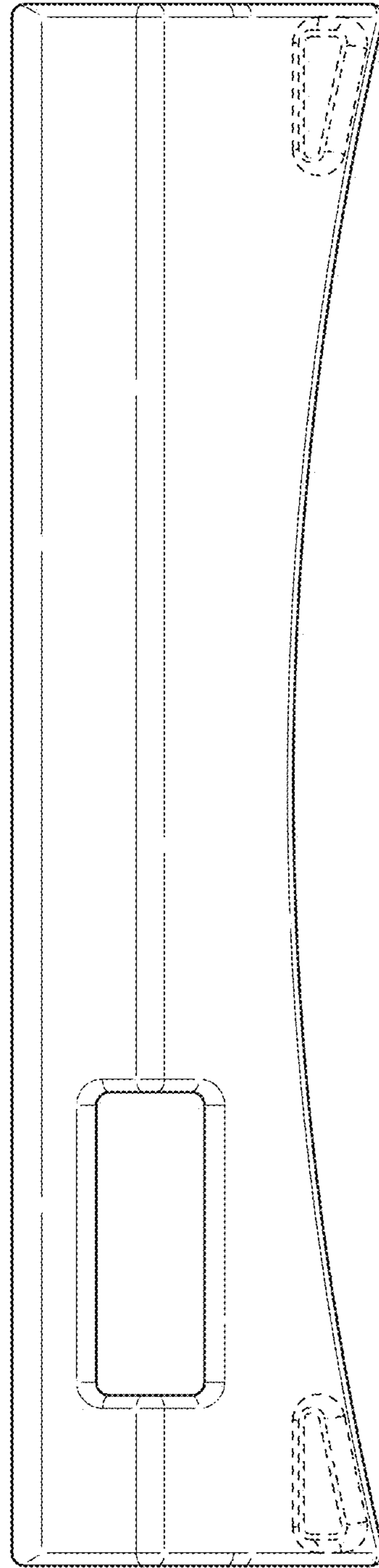
*FIG. 6*



*FIG. 5*



*FIG. 7*



*FIG. 8*

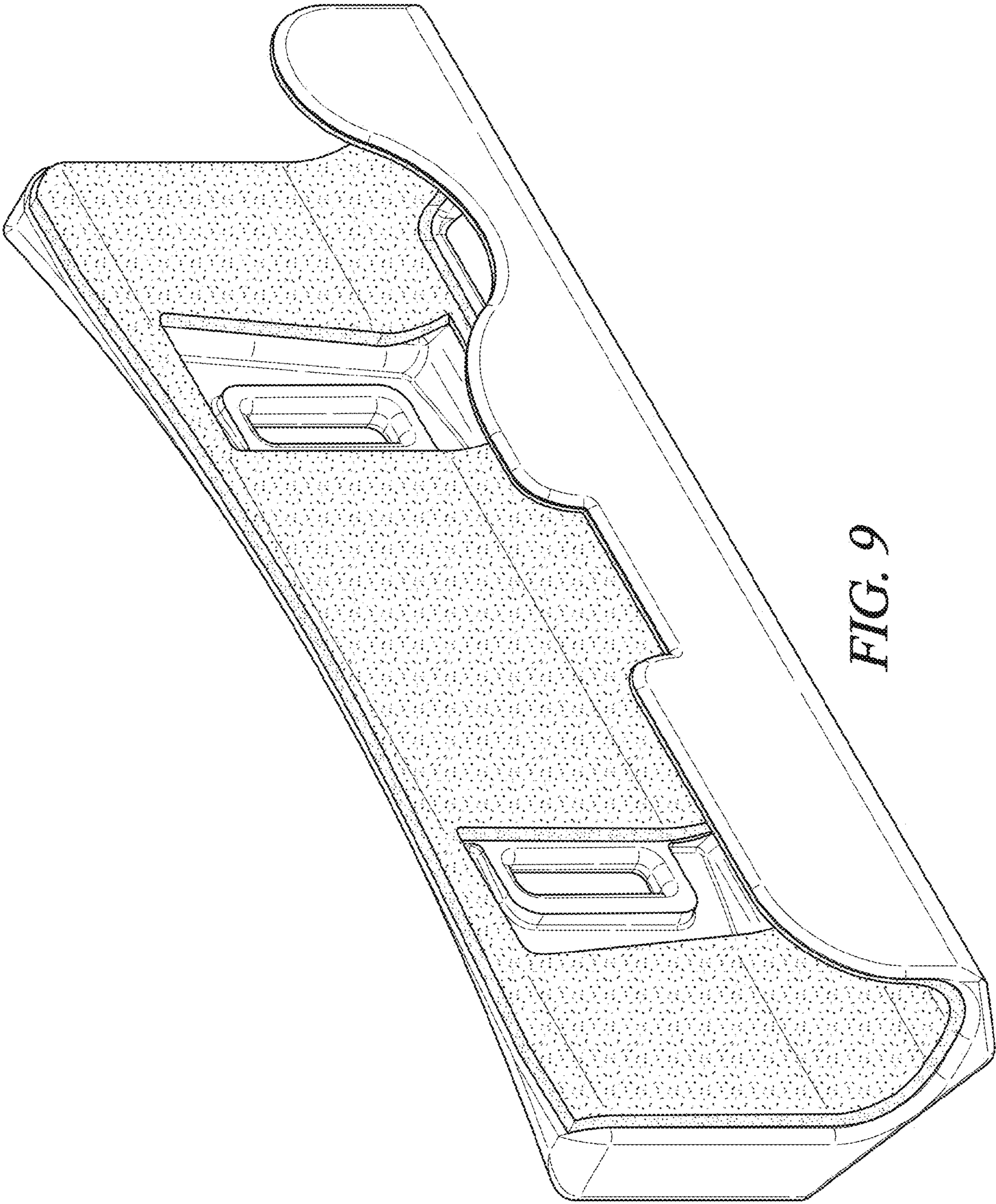


FIG. 9



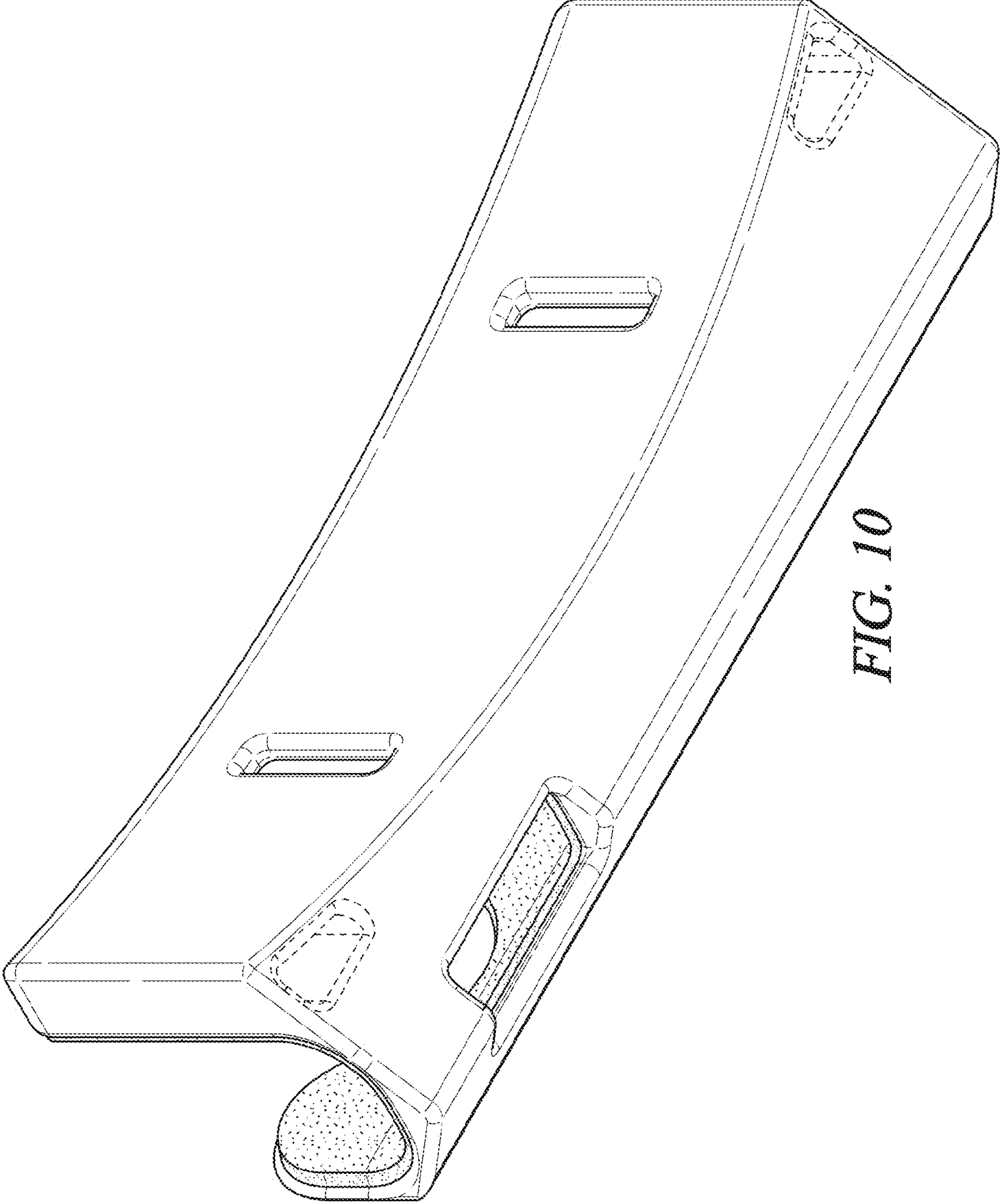
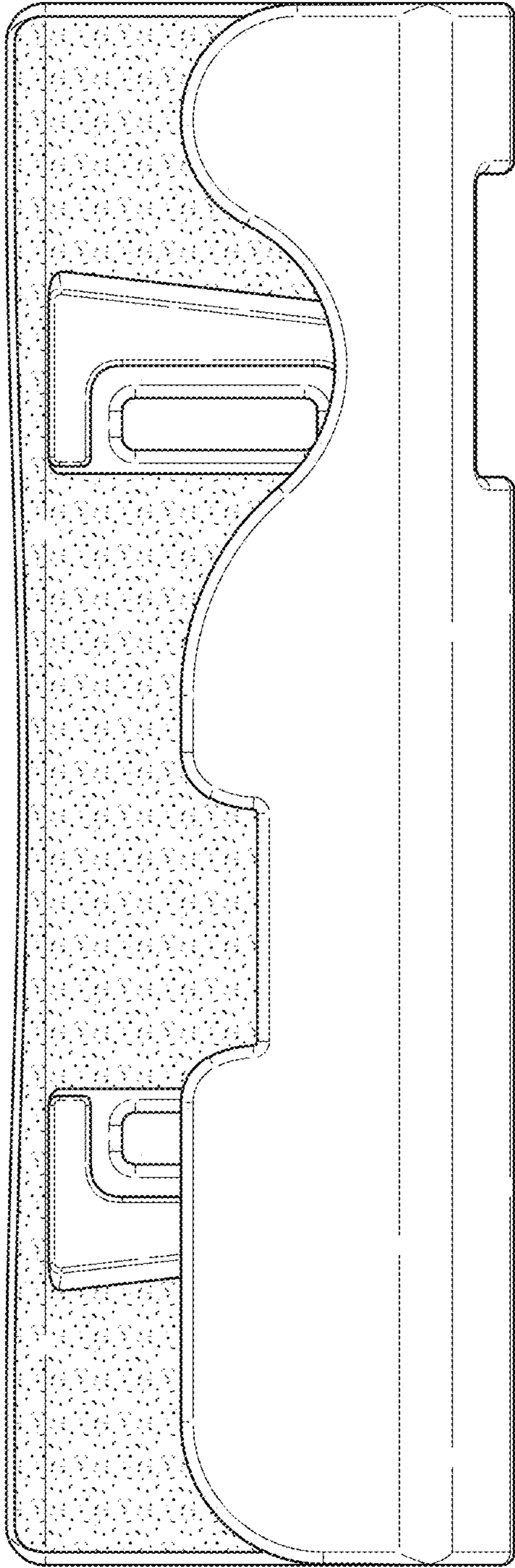
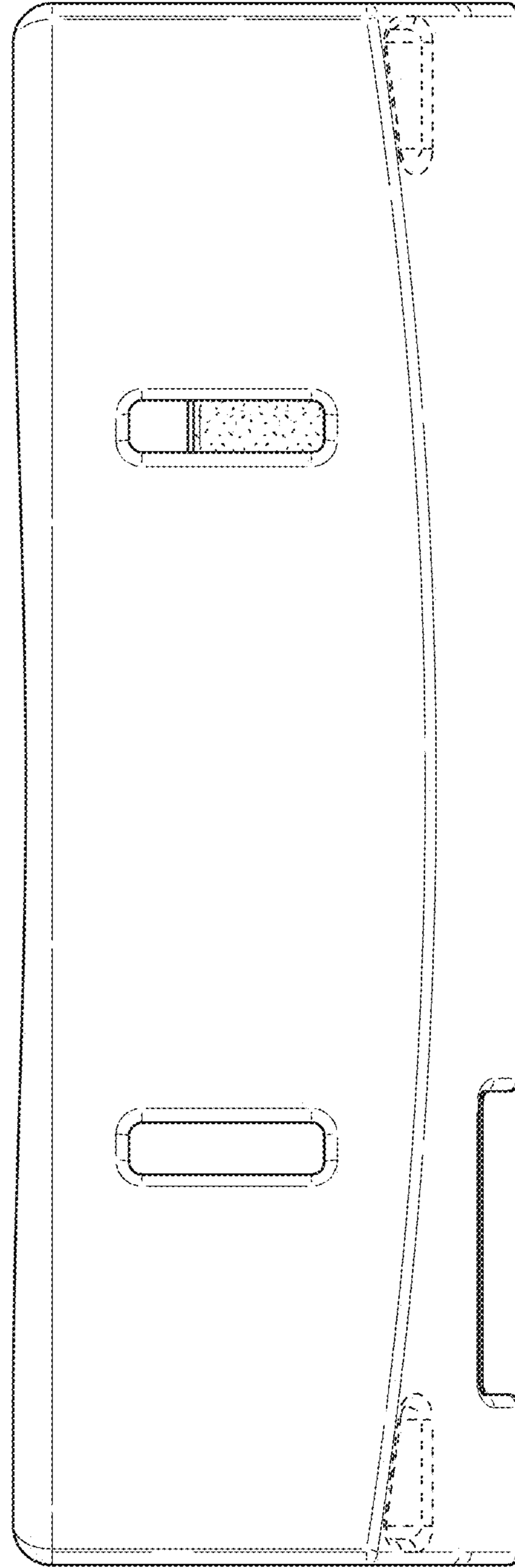


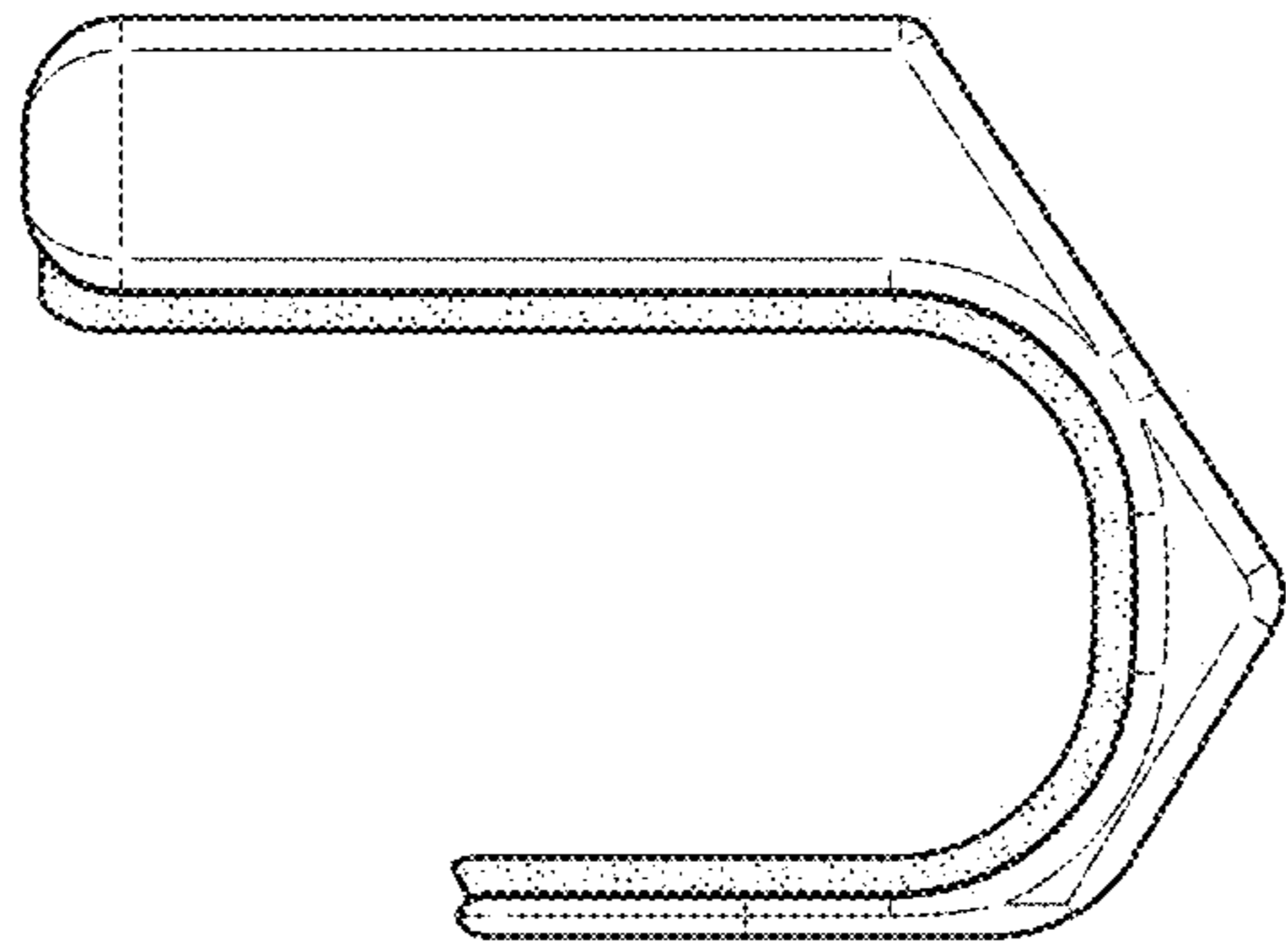
FIG. 10



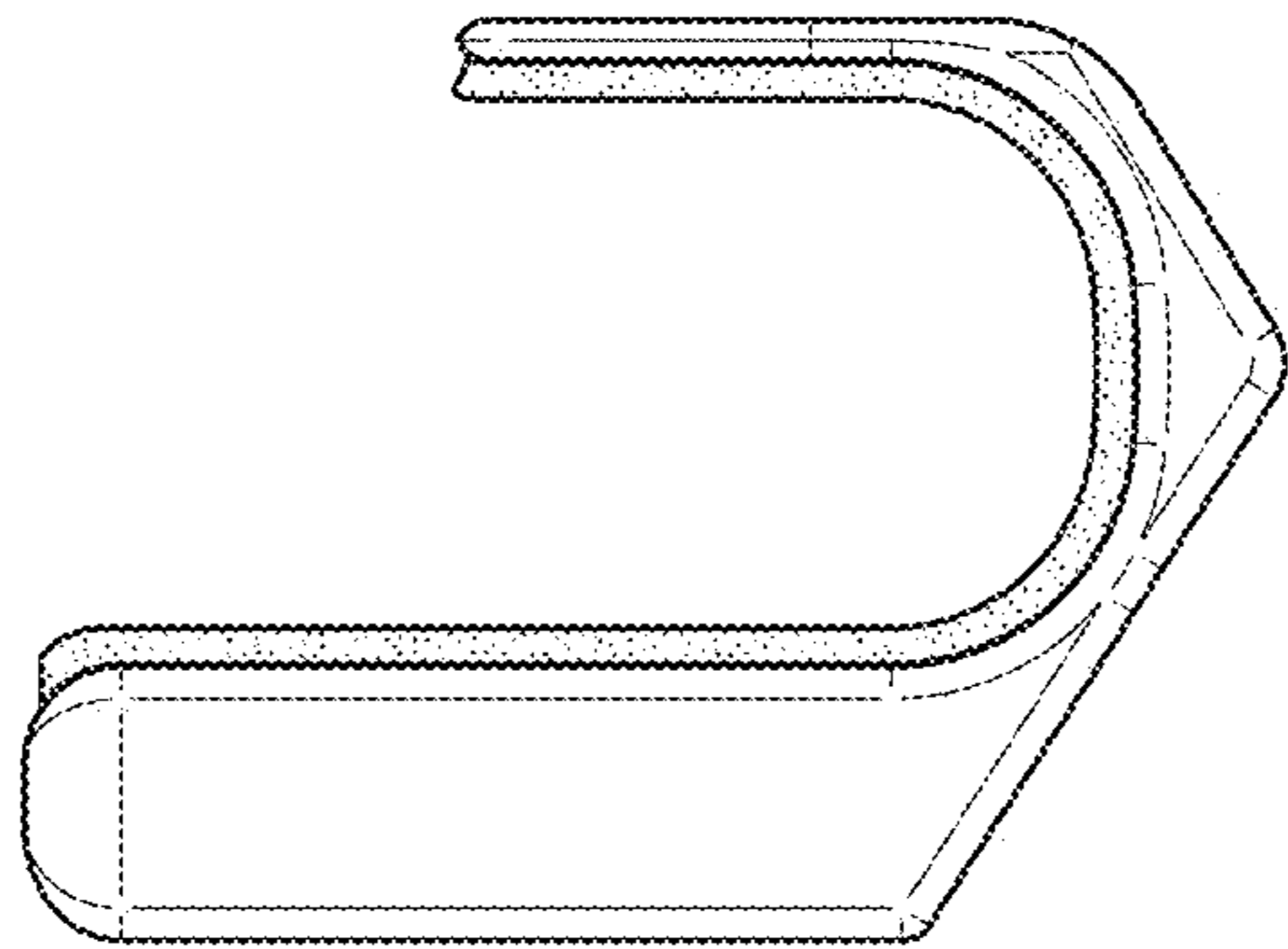
*FIG. 11*



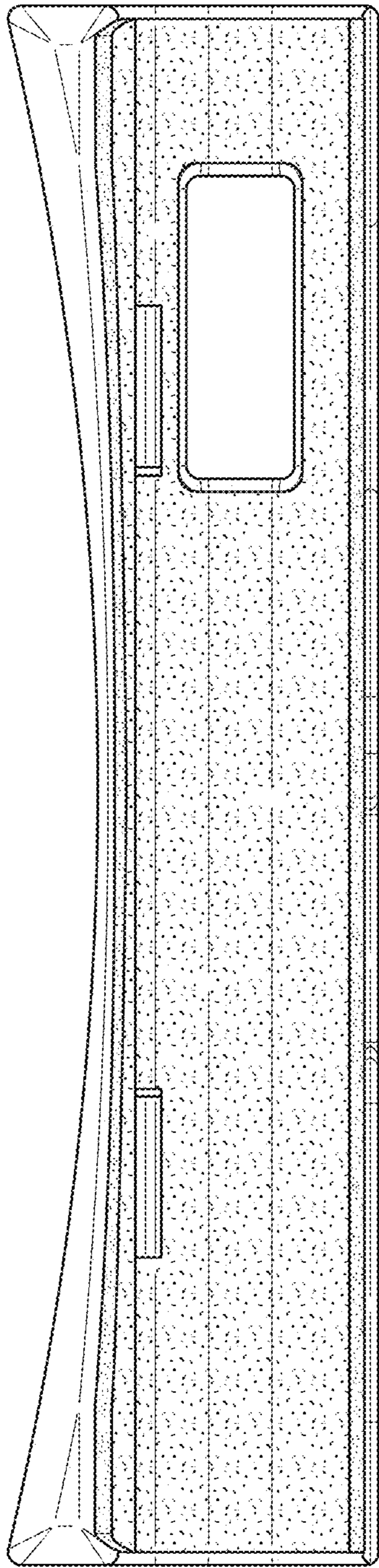
*FIG. 12*



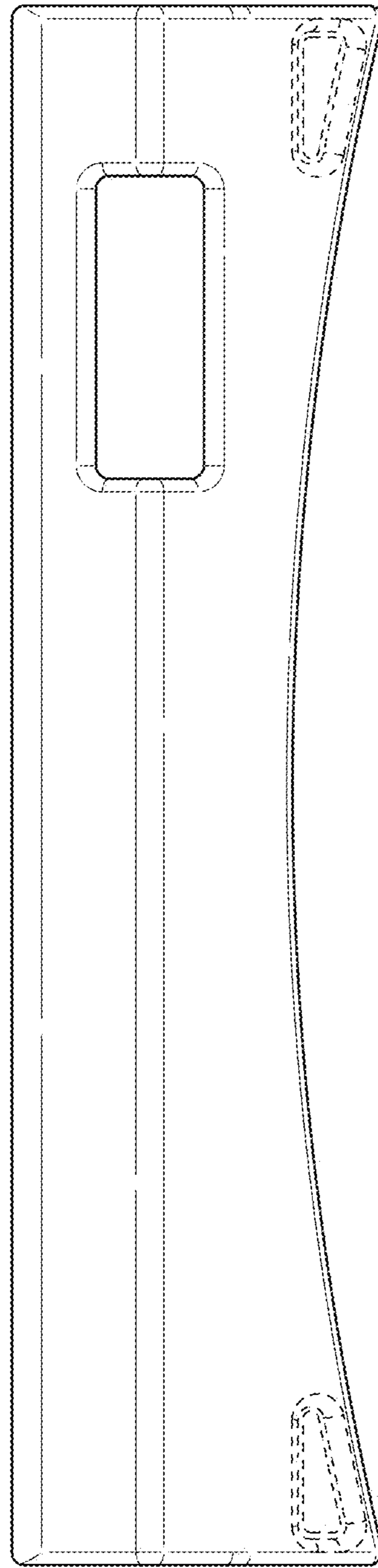
*FIG. 14*



*FIG. 13*



*FIG. 15*



*FIG. 16*

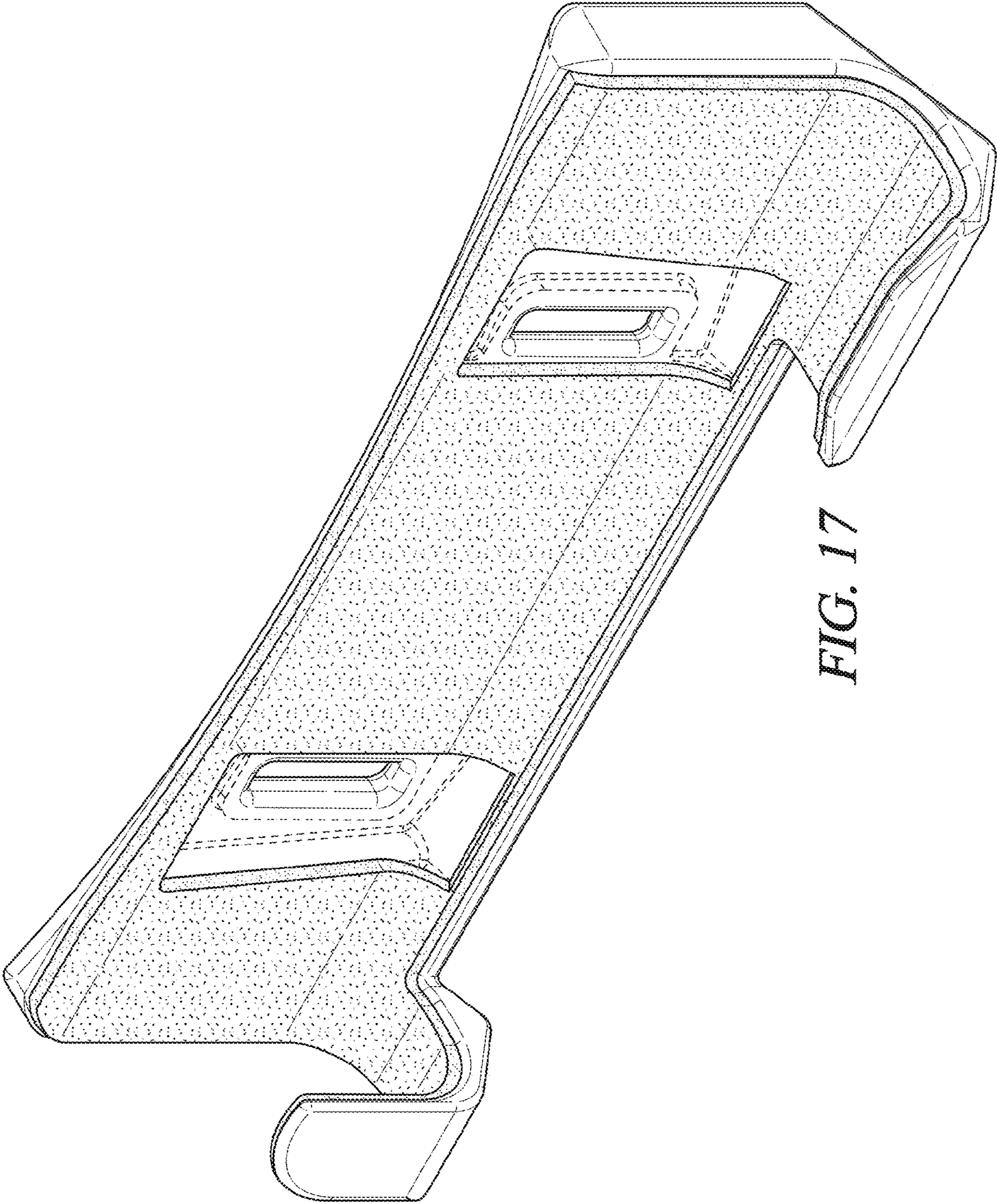


FIG. 17

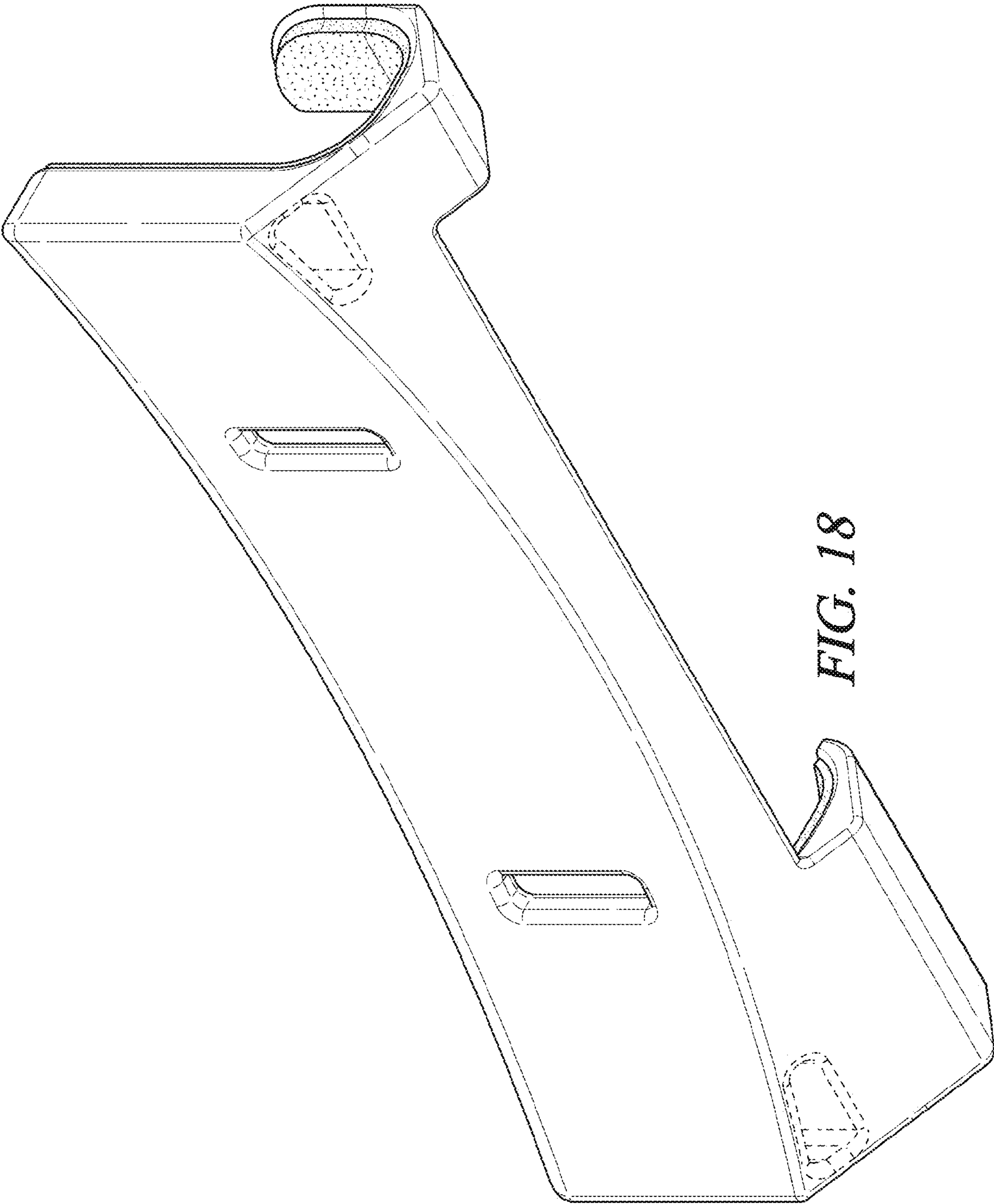
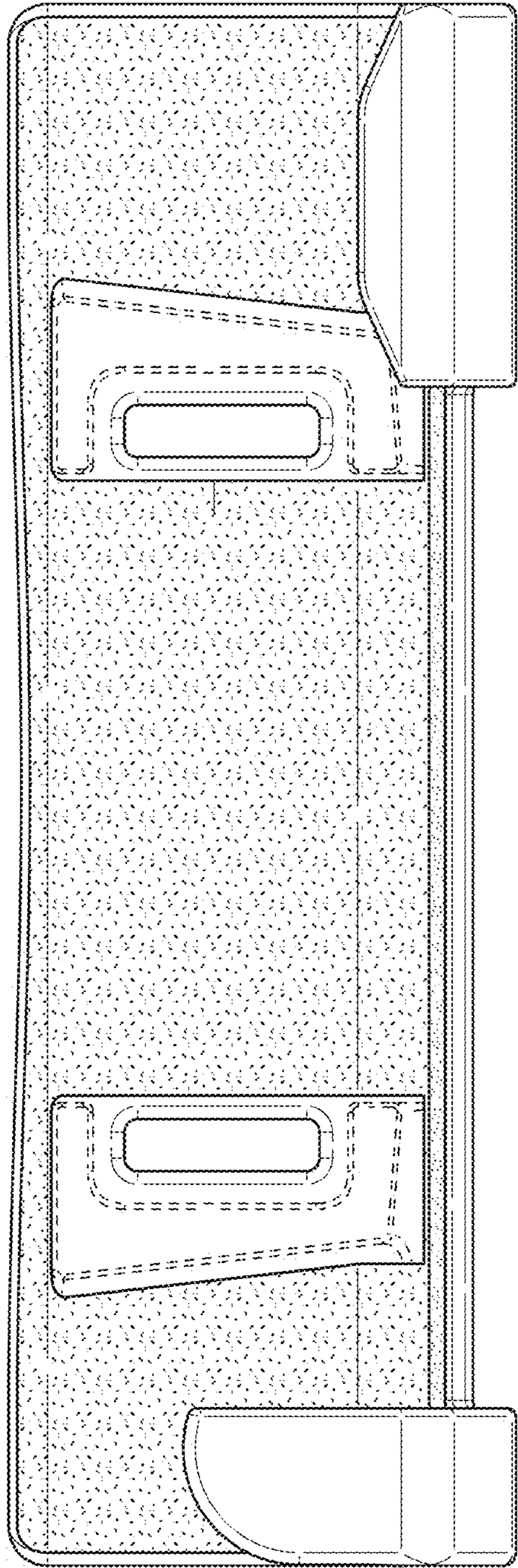
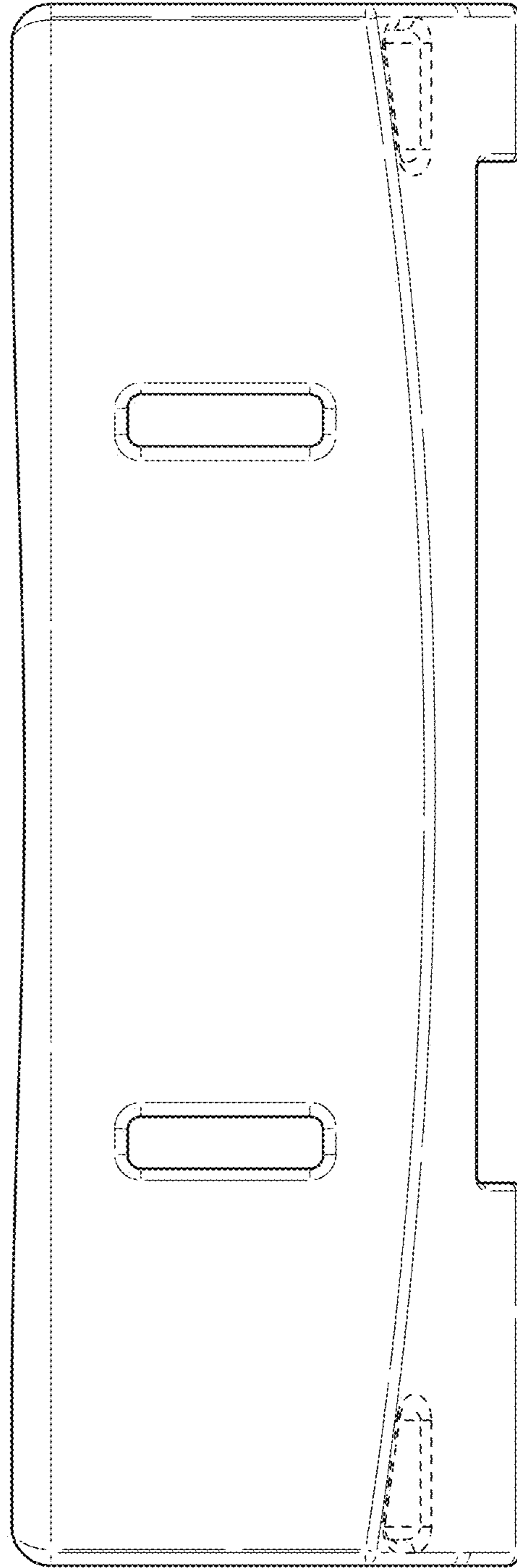


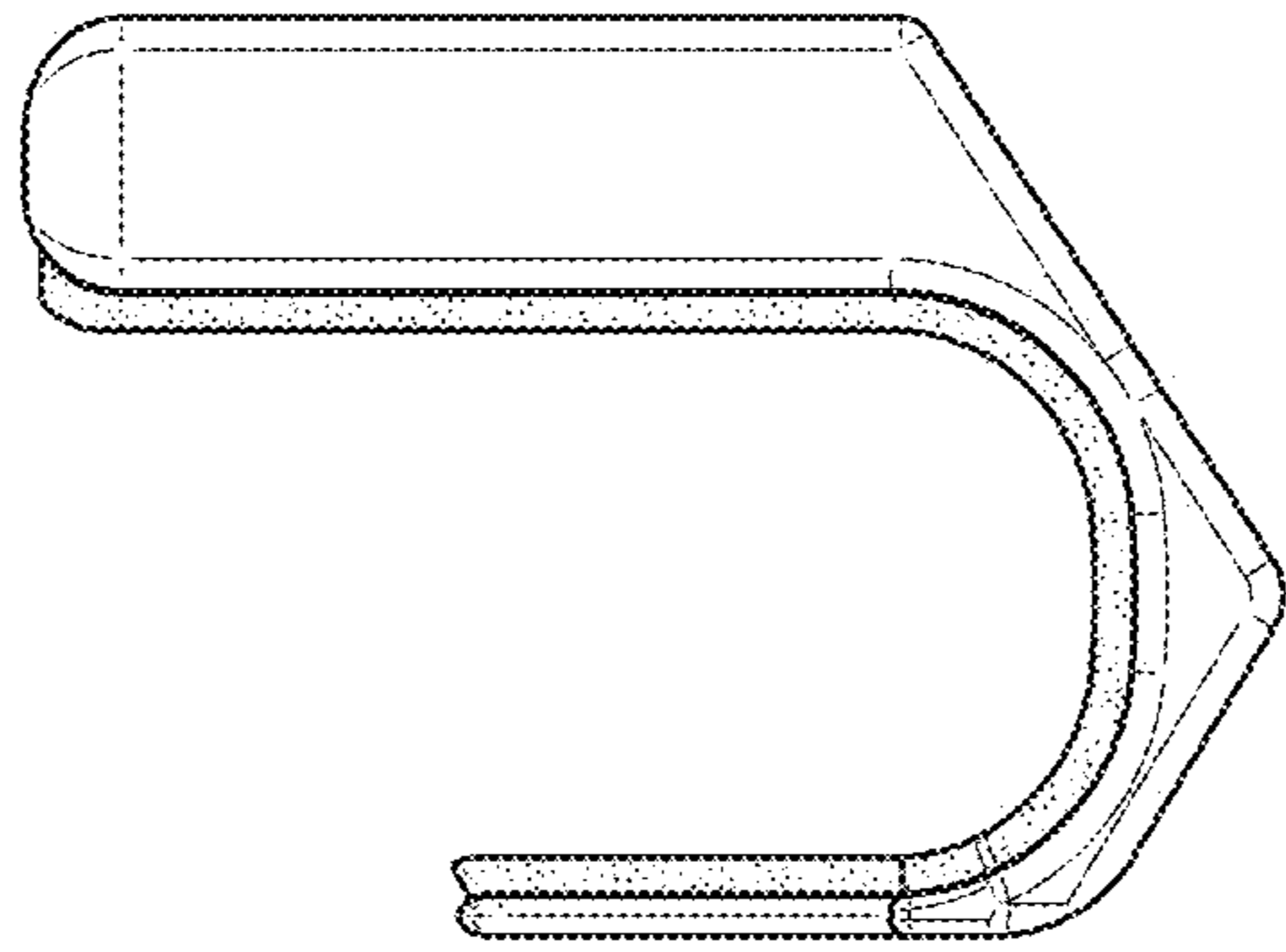
FIG. 18



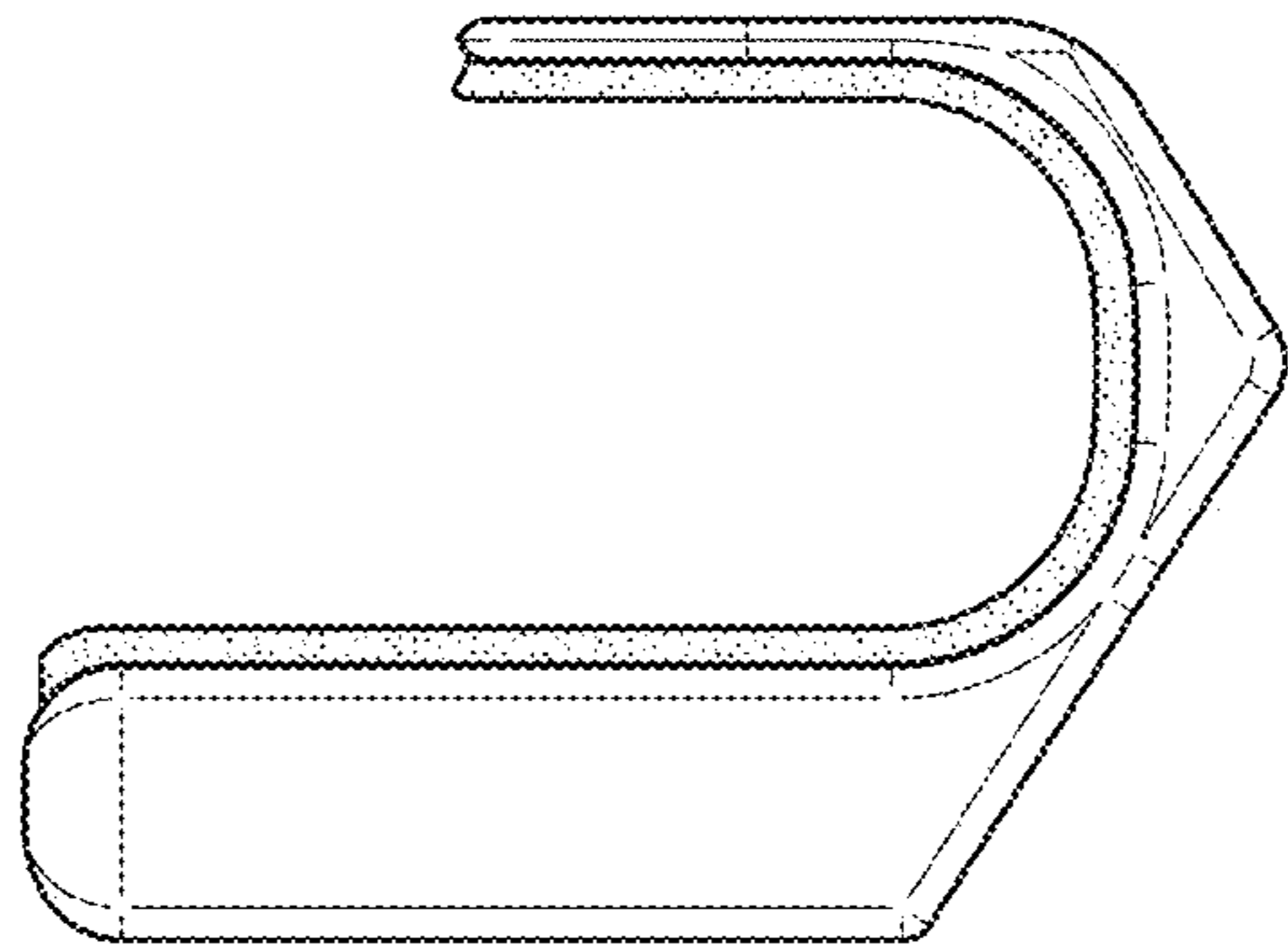
*FIG. 19*



*FIG. 20*



*FIG. 22*



*FIG. 21*



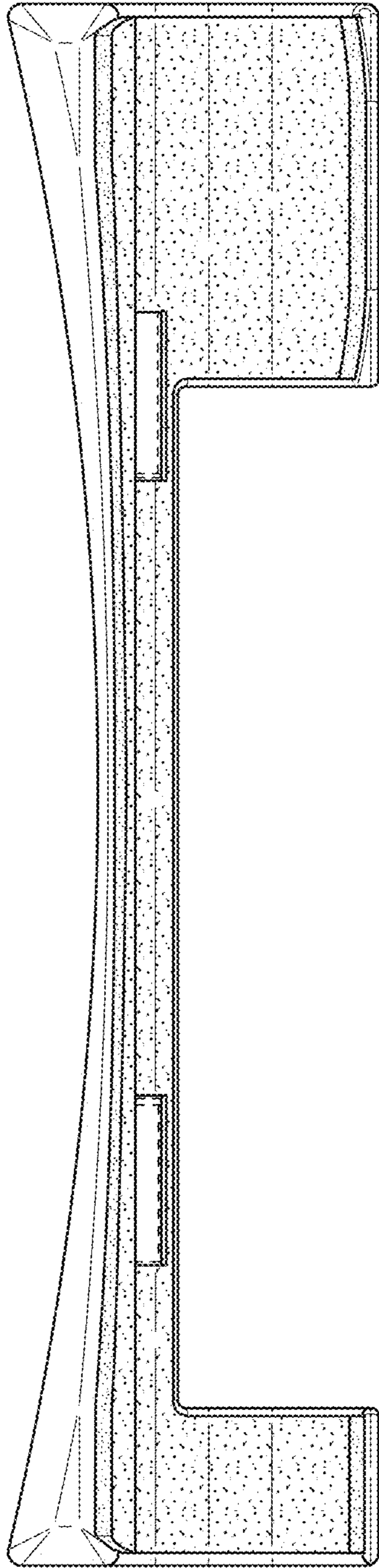


FIG. 23

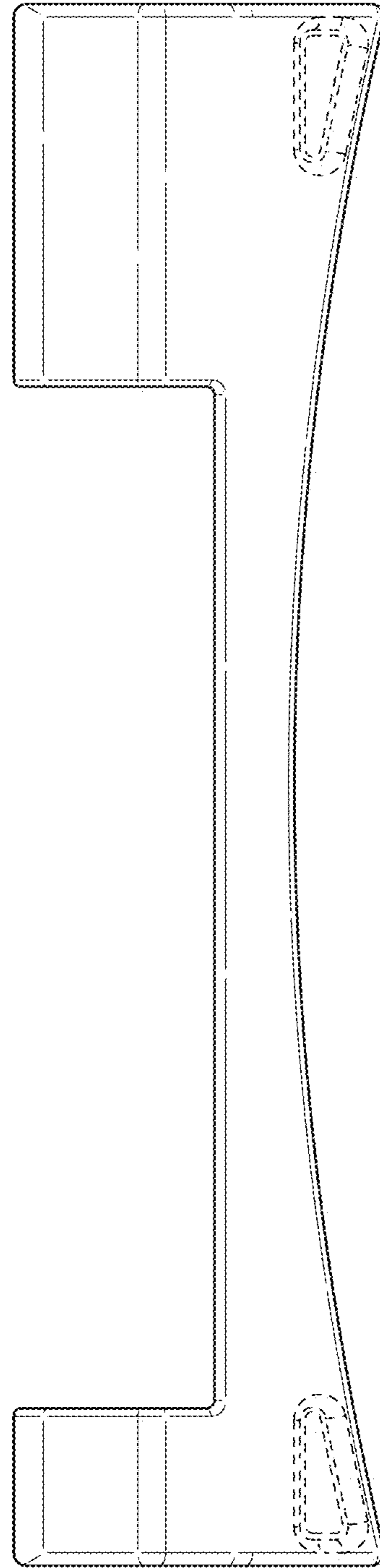


FIG. 24

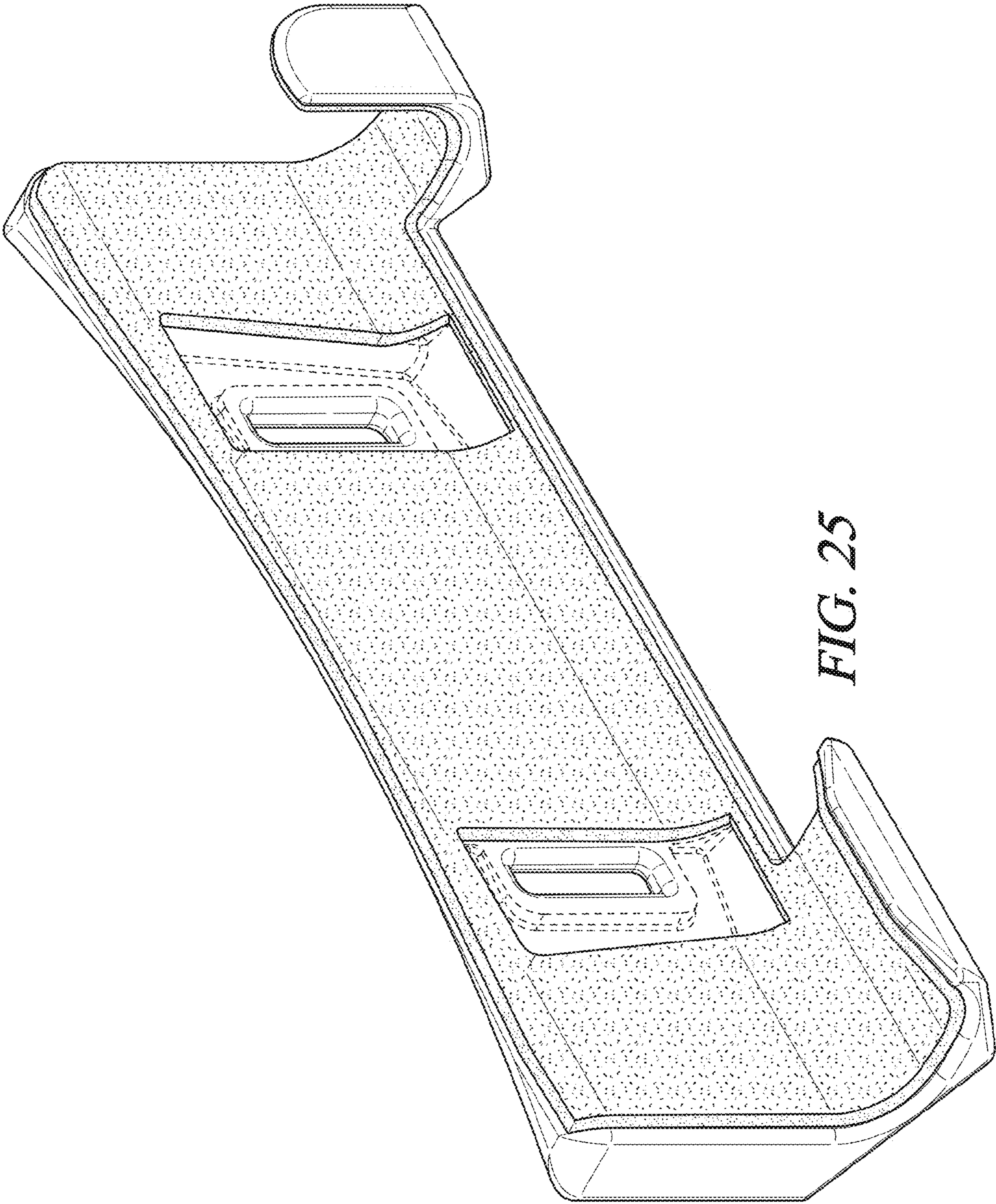


FIG. 25

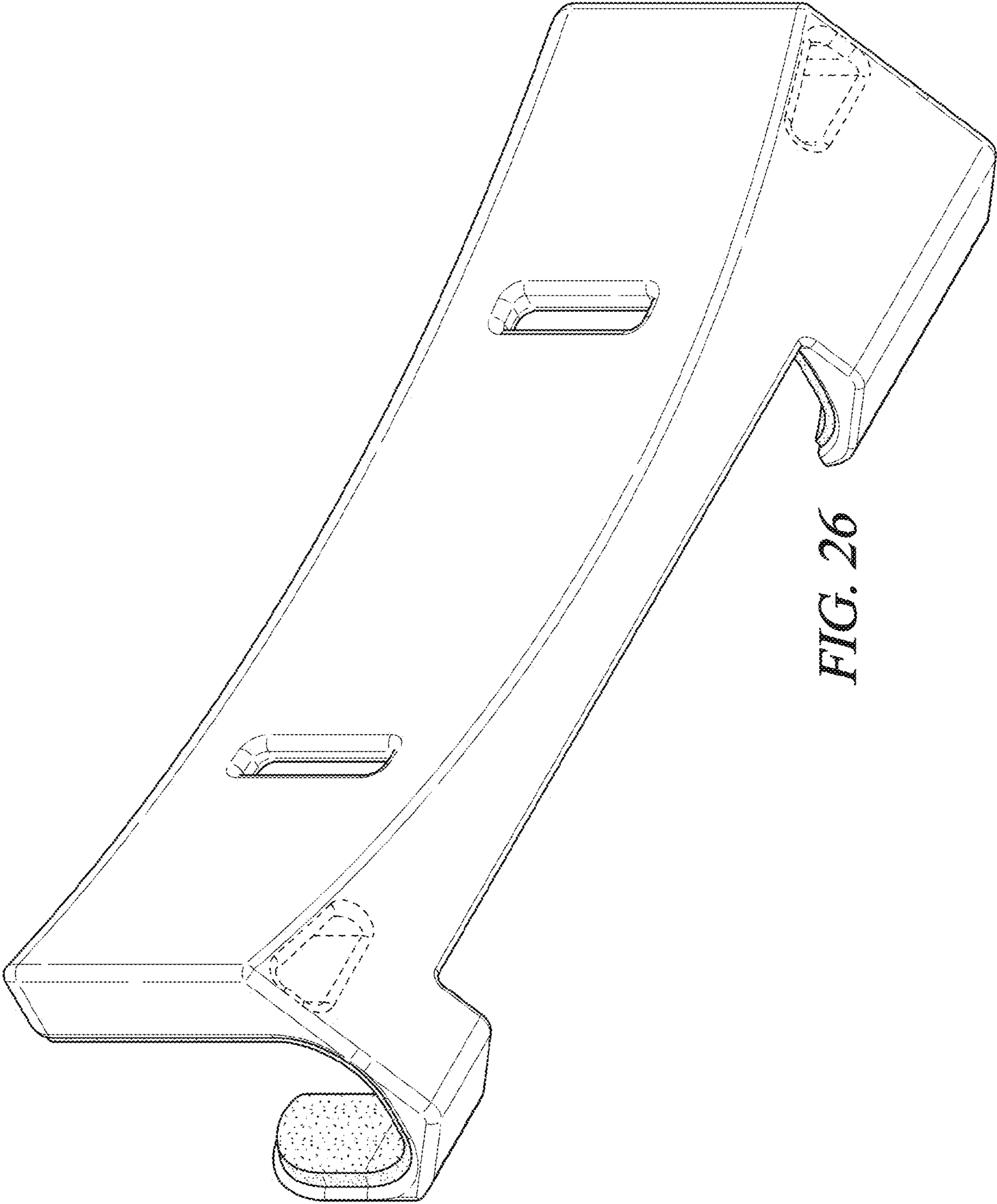


FIG. 26

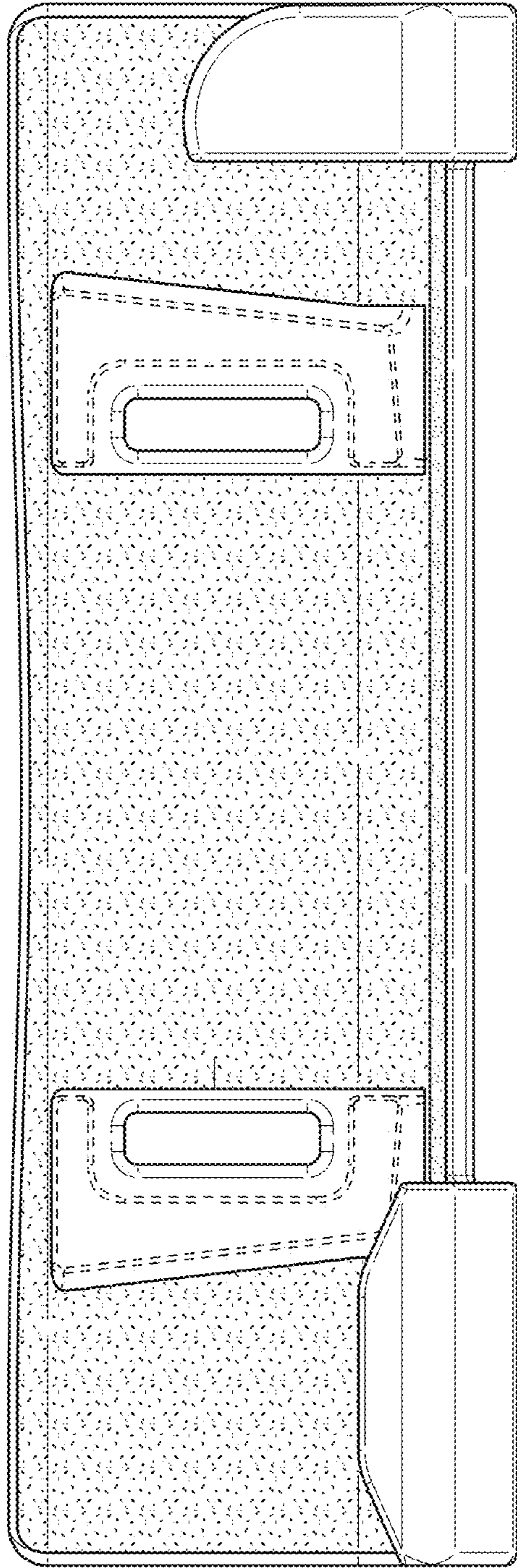


FIG. 27

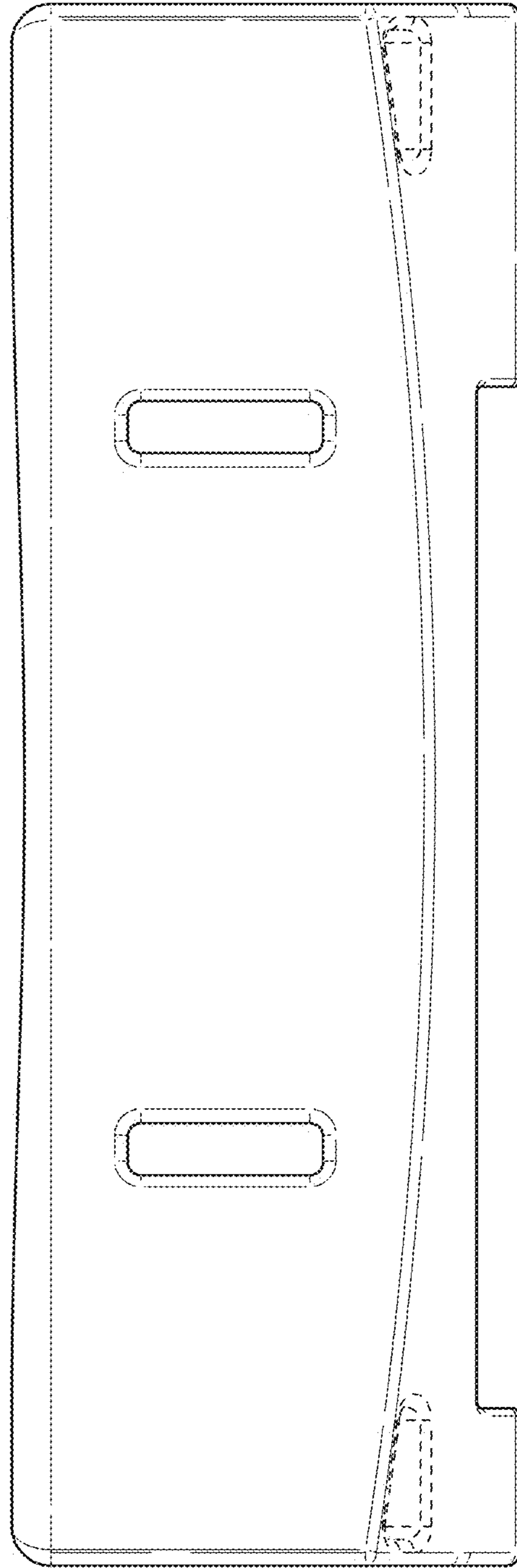
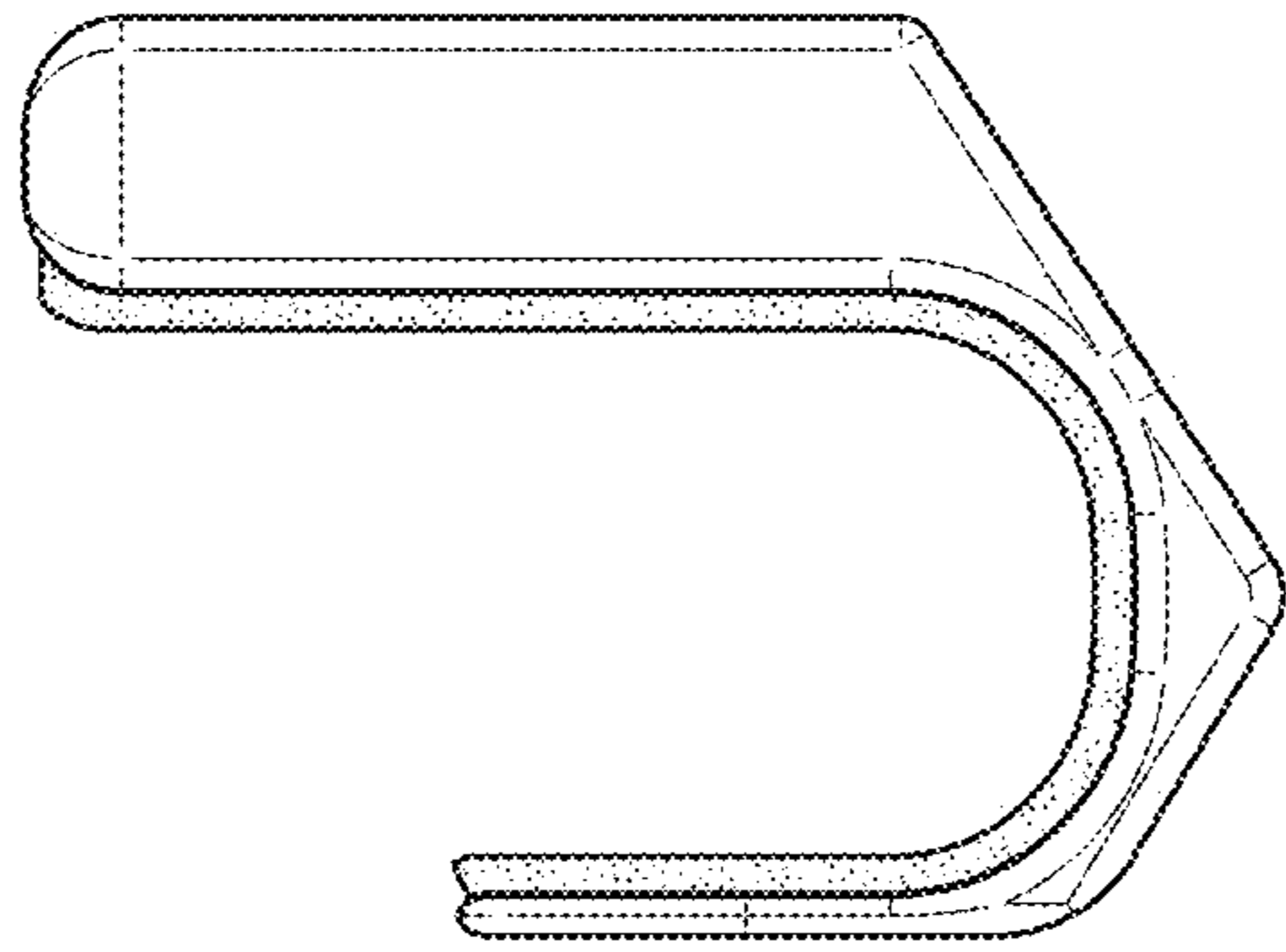
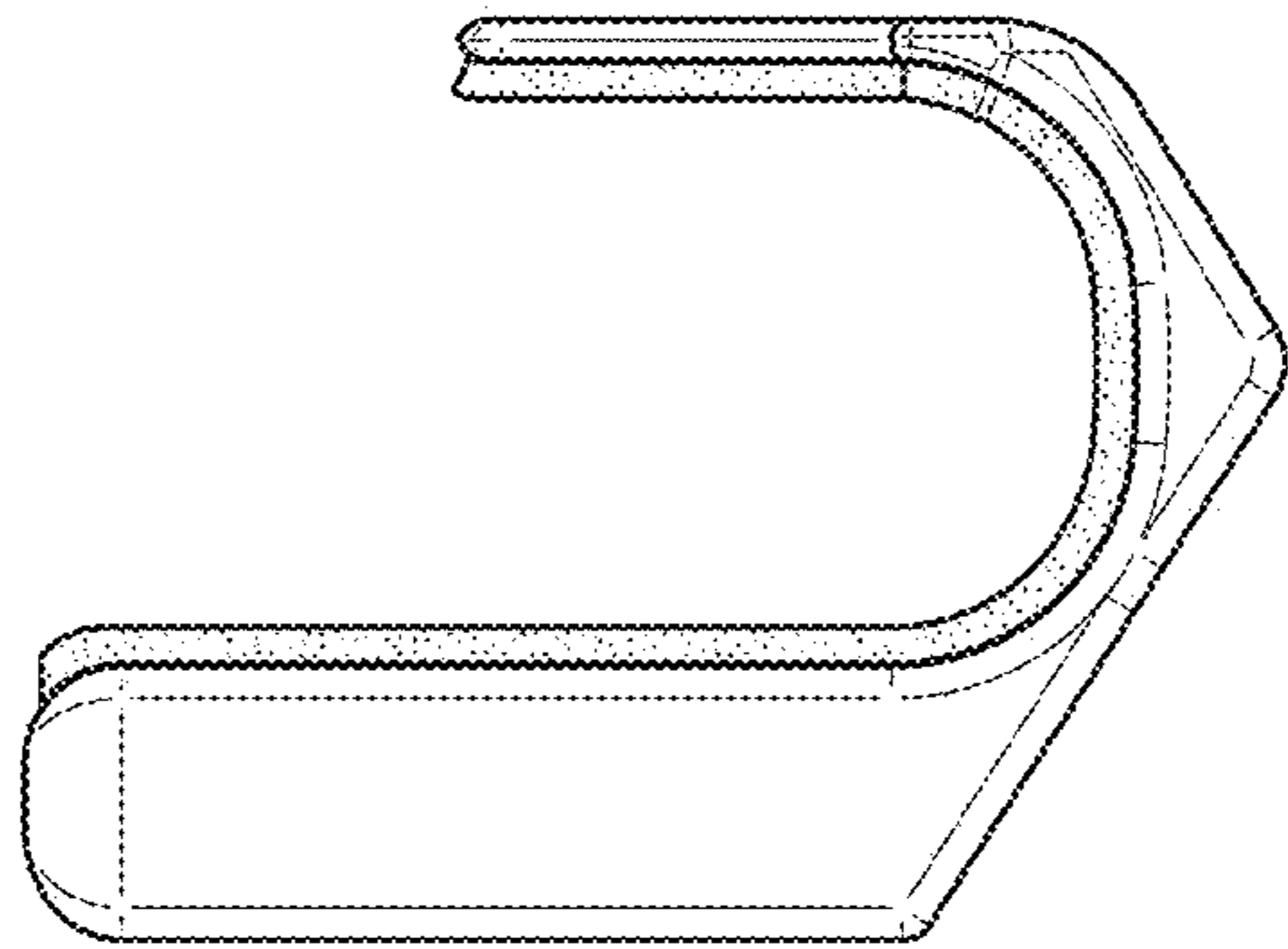


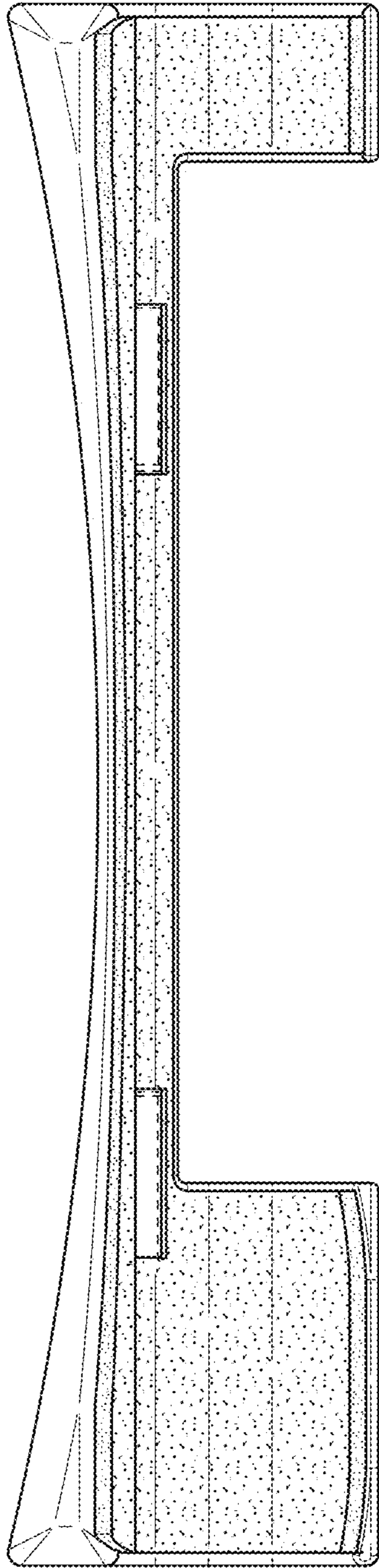
FIG. 28



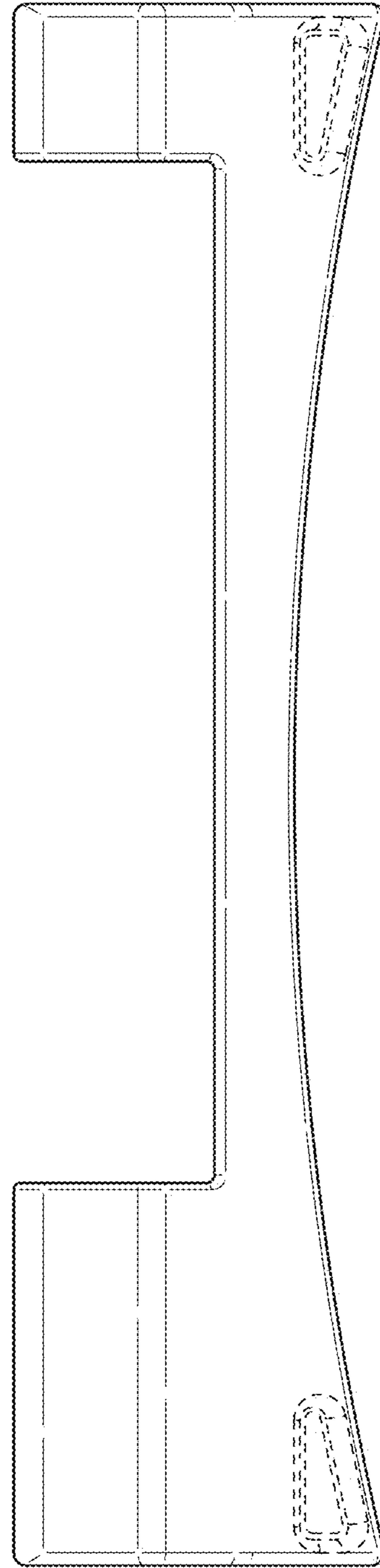
*FIG. 30*



*FIG. 29*



*FIG. 31*



*FIG. 32*