



US00D902582S

(12) **United States Design Patent**
Huang et al.

(10) **Patent No.:** **US D902,582 S**

(45) **Date of Patent:** **** Nov. 24, 2020**

- (54) **EXPANDABLE PET BACKPACK**
- (71) Applicant: **SHENZHEN BESTWO E-COMMERCE CO., LTD**, Shenzhen (CN)
- (72) Inventors: **Pei Huang**, Shenzhen (CN); **Zhijie Wang**, Shenzhen (CN)
- (73) Assignee: **SHENZHEN BESTWO E-COMMERCE CO., LTD**, Shenzhen (CN)

D883,659 S * 5/2020 Lu D3/217
 D885,043 S * 5/2020 Lu D3/217
 10,743,515 B2 * 8/2020 Lu A45C 11/00
 2020/0084995 A1 * 3/2020 Hazouri-Yearly A01K 1/0254

* cited by examiner

Primary Examiner — Jennifer L Watkins

(57) **CLAIM**

The ornamental design for an expandable pet backpack, as shown and described.

DESCRIPTION

- (**) Term: **15 Years**
- (21) Appl. No.: **29/740,233**
- (22) Filed: **Jul. 1, 2020**
- (51) **LOC (12) Cl.** **03-01**
- (52) **U.S. Cl.**
USPC **D3/217**
- (58) **Field of Classification Search**
USPC D3/216, 217; D30/109
CPC A45F 3/04; A45F 4/02; A45F 2003/045;
A45F 2003/125; A45F 3/02; A45F
2003/127; A45F 3/047; A45F 3/12; A45F
2003/001
See application file for complete search history.

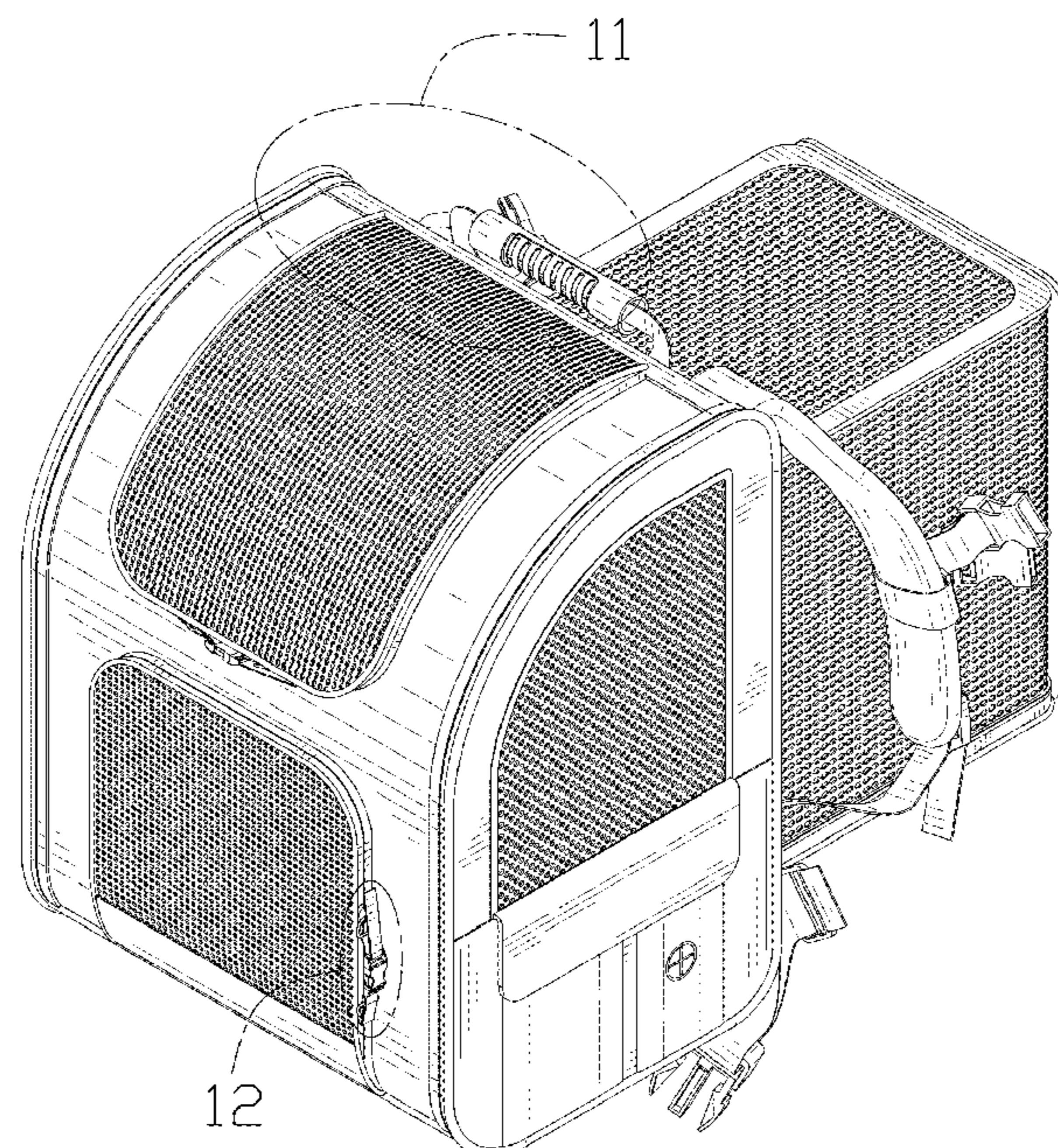
FIG. 1 is a perspective view of an expandable pet backpack showing my new design;
 FIG. 2 is another perspective view thereof;
 FIG. 3 is a front elevational view thereof;
 FIG. 4 is a rear elevational view thereof;
 FIG. 5 is a left side elevational view thereof;
 FIG. 6 is a right side elevational view thereof;
 FIG. 7 is a top plan view thereof;
 FIG. 8 is a bottom plan view thereof;
 FIG. 9 is a perspective view of an expandable pet backpack showing my new design where the expandable pet backpack is in a first configuration of use;
 FIG. 10 is a perspective view of the expandable pet backpack where the expandable pet backpack is in a second configuration of use;
 FIG. 11 is an enlarged view of portion 11 shown in FIG. 1;
 FIG. 12 is an enlarged view of portion 12 shown in FIG. 1;
 and,
 FIG. 13 is an enlarged view of portion 13 shown in FIG. 3.
 The evenly dashed broken lines depict portions of the expandable pet backpack that form no part of the claimed design. The unevenly dashed broken lines depict the cut line of the sectional views and form no part of the claimed design.

(56) **References Cited**

U.S. PATENT DOCUMENTS

- D662,264 S * 6/2012 Chau D30/109
- D778,595 S 2/2017 Zurowski
- D808,084 S * 1/2018 Lu D30/109
- D855,900 S * 8/2019 Lu D30/109
- D856,602 S * 8/2019 Lu D30/109
- D876,826 S 3/2020 Watson et al.
- D883,658 S * 5/2020 Lu D3/217

1 Claim, 13 Drawing Sheets



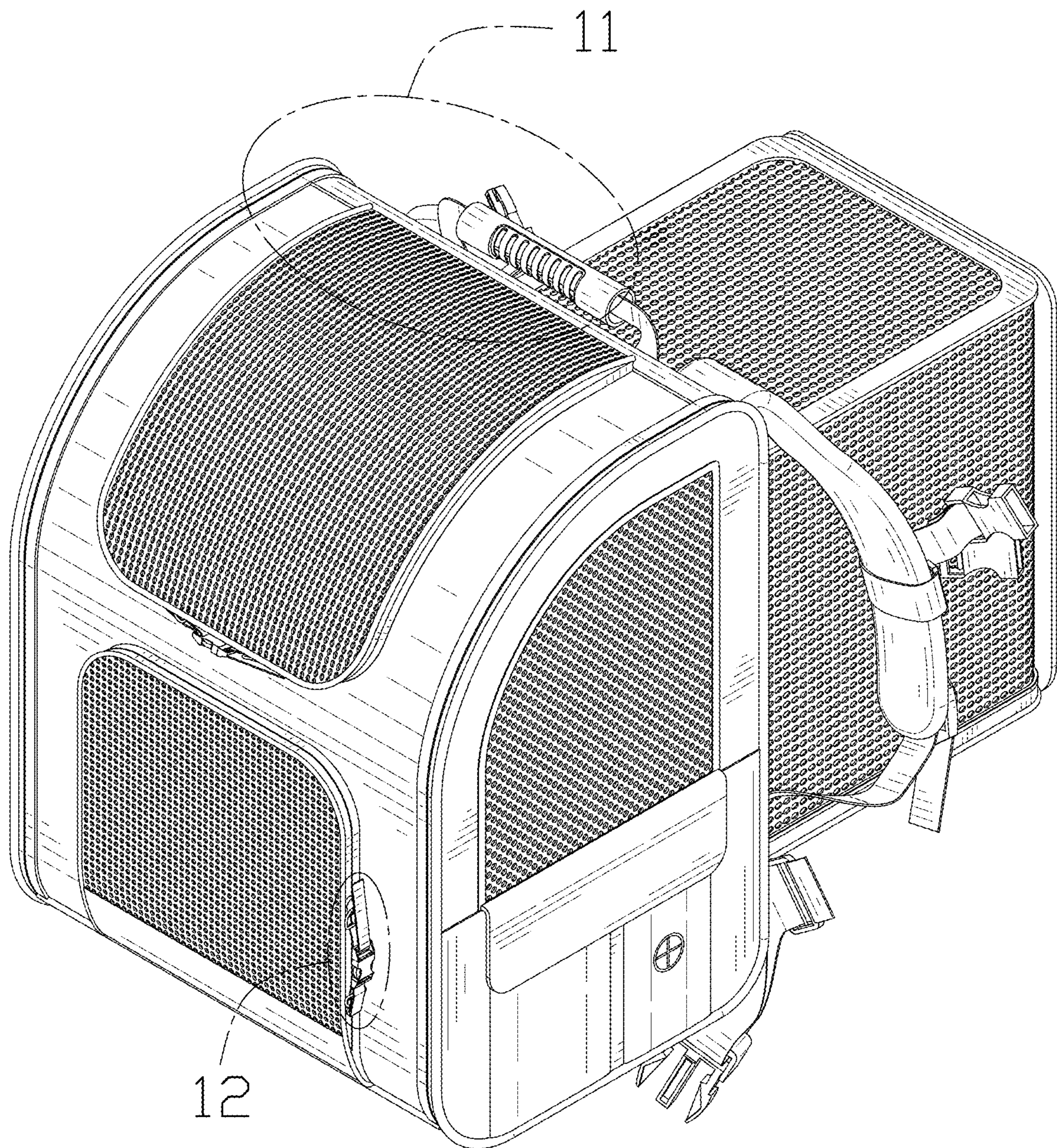


FIG. 1

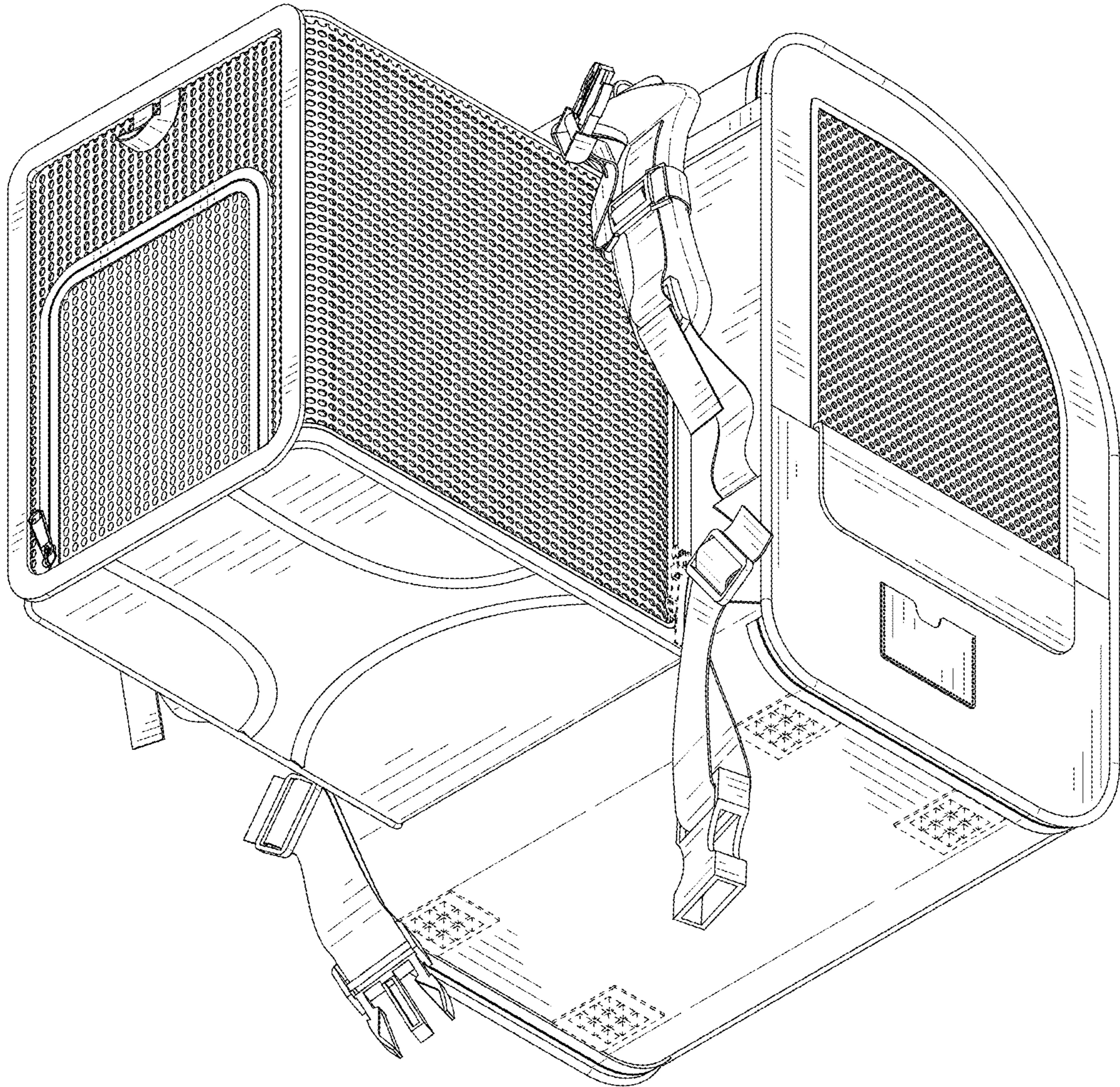


FIG. 2

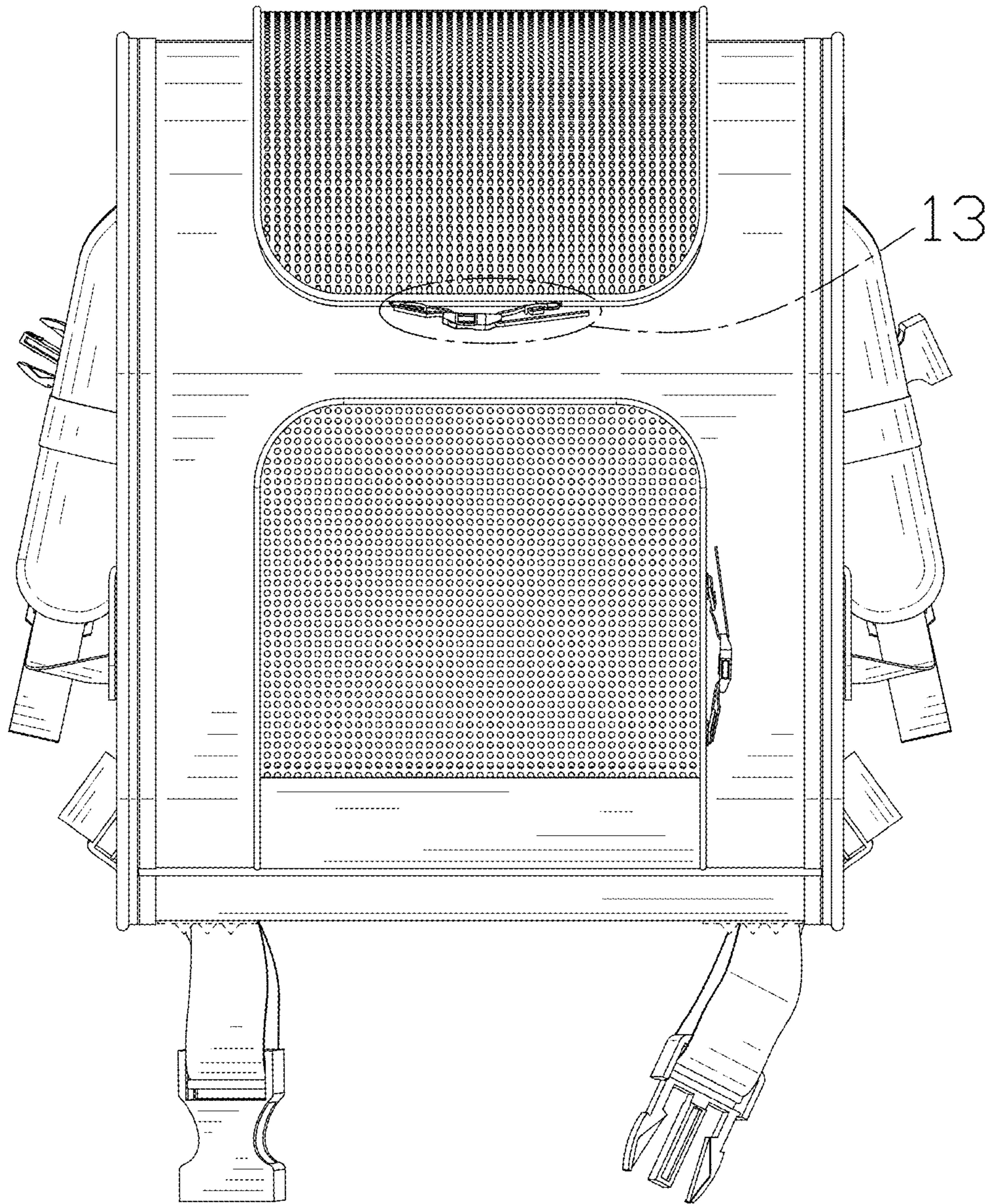


FIG. 3

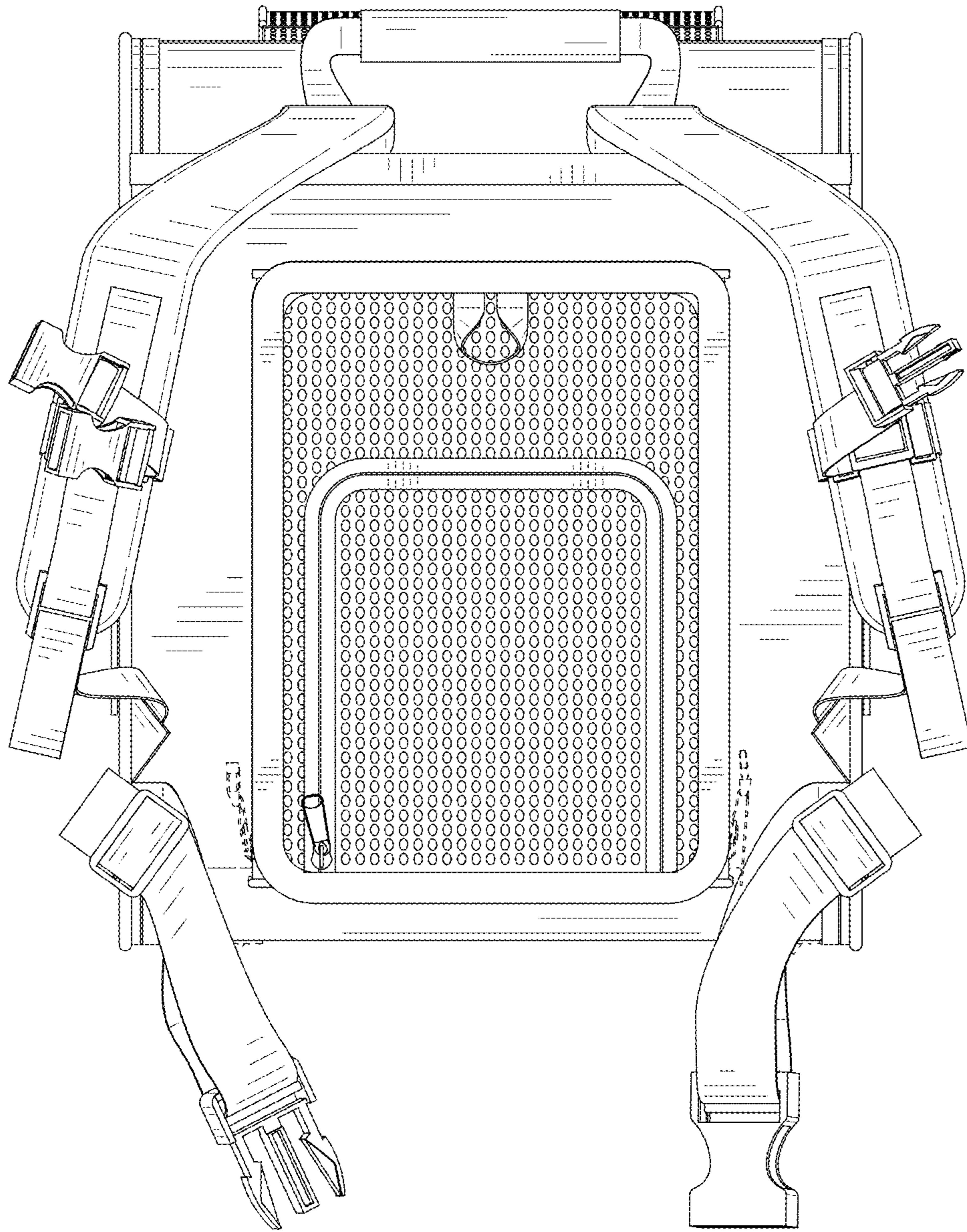


FIG. 4

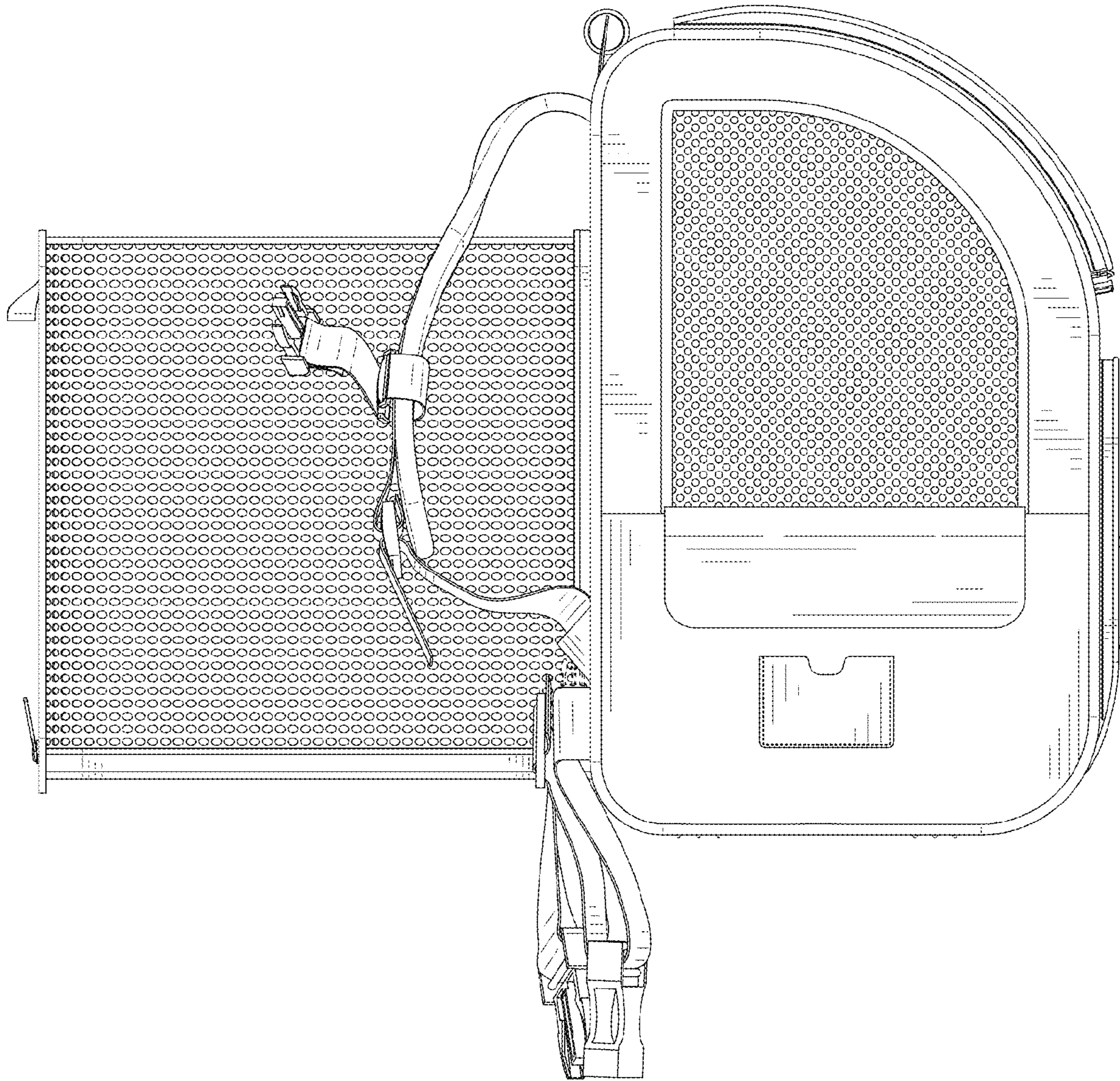


FIG. 5

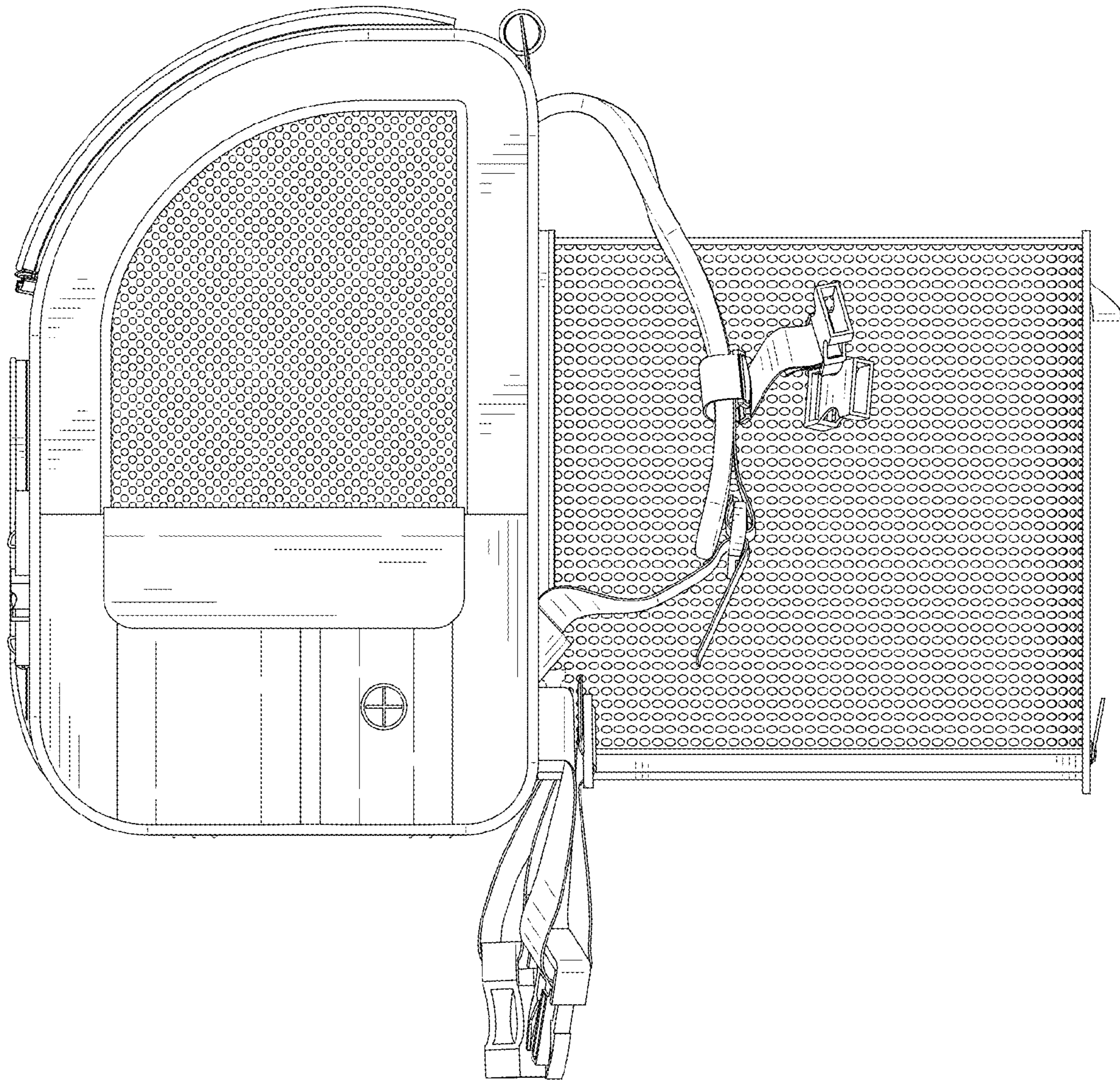


FIG. 6

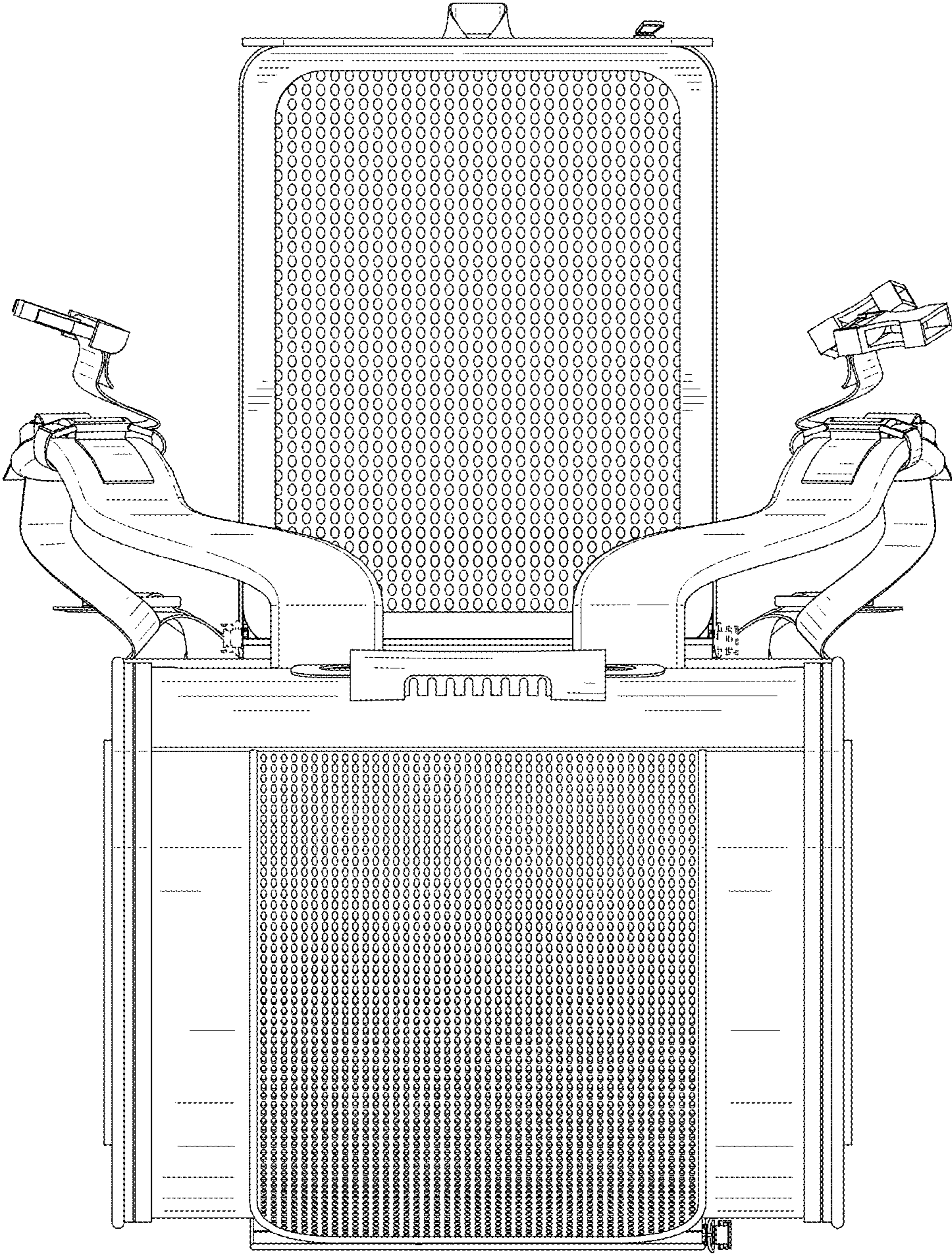


FIG. 7

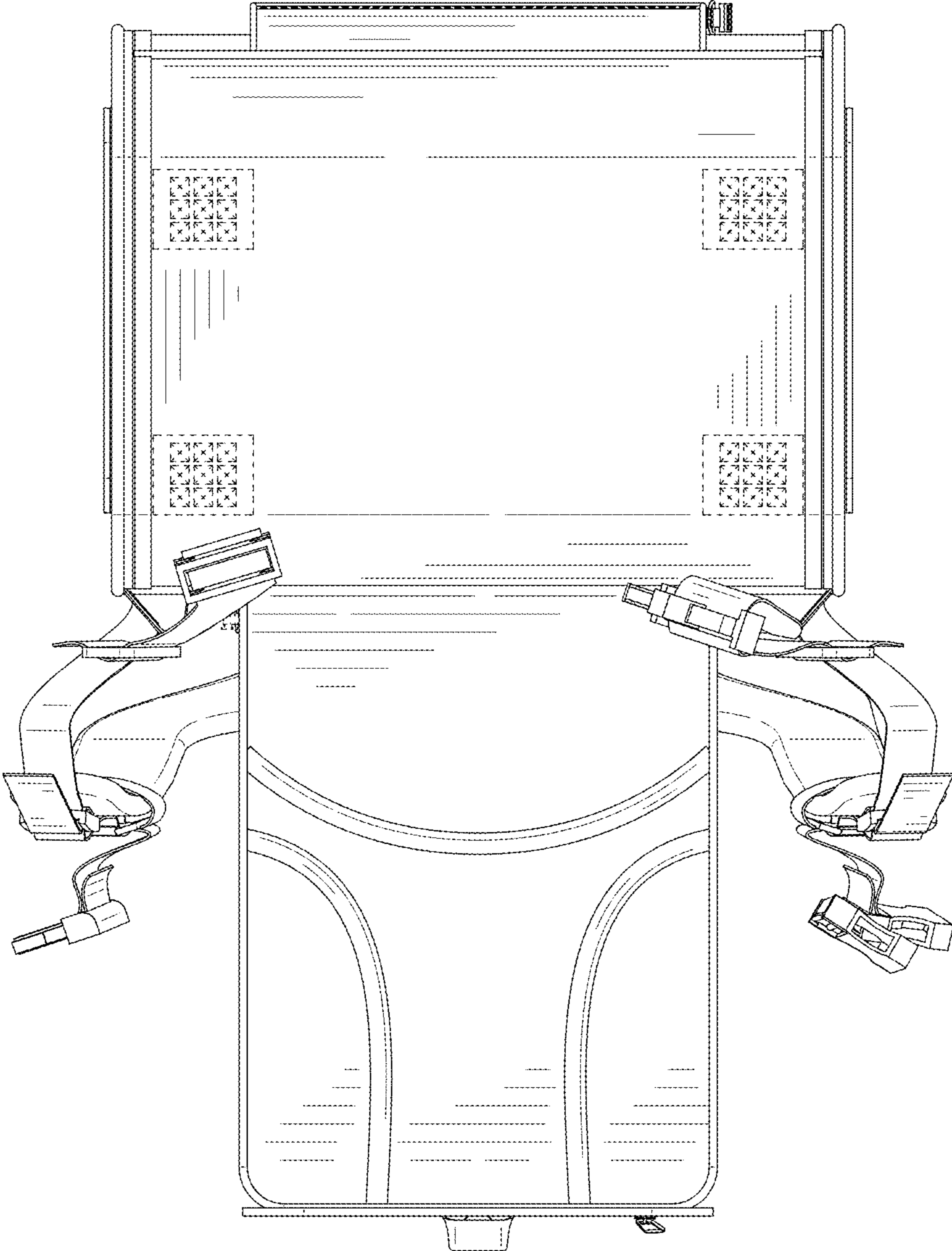


FIG. 8

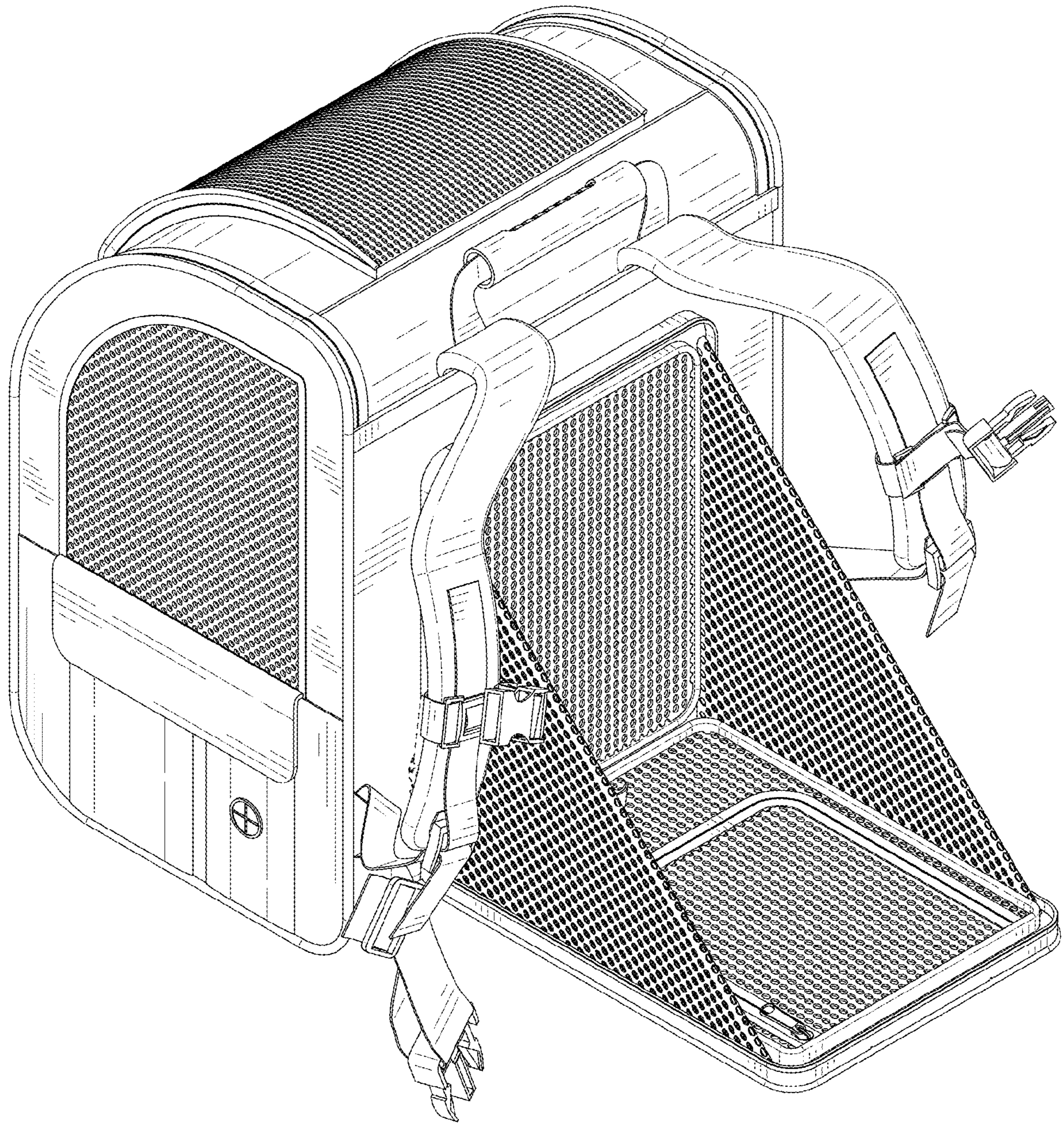


FIG. 9

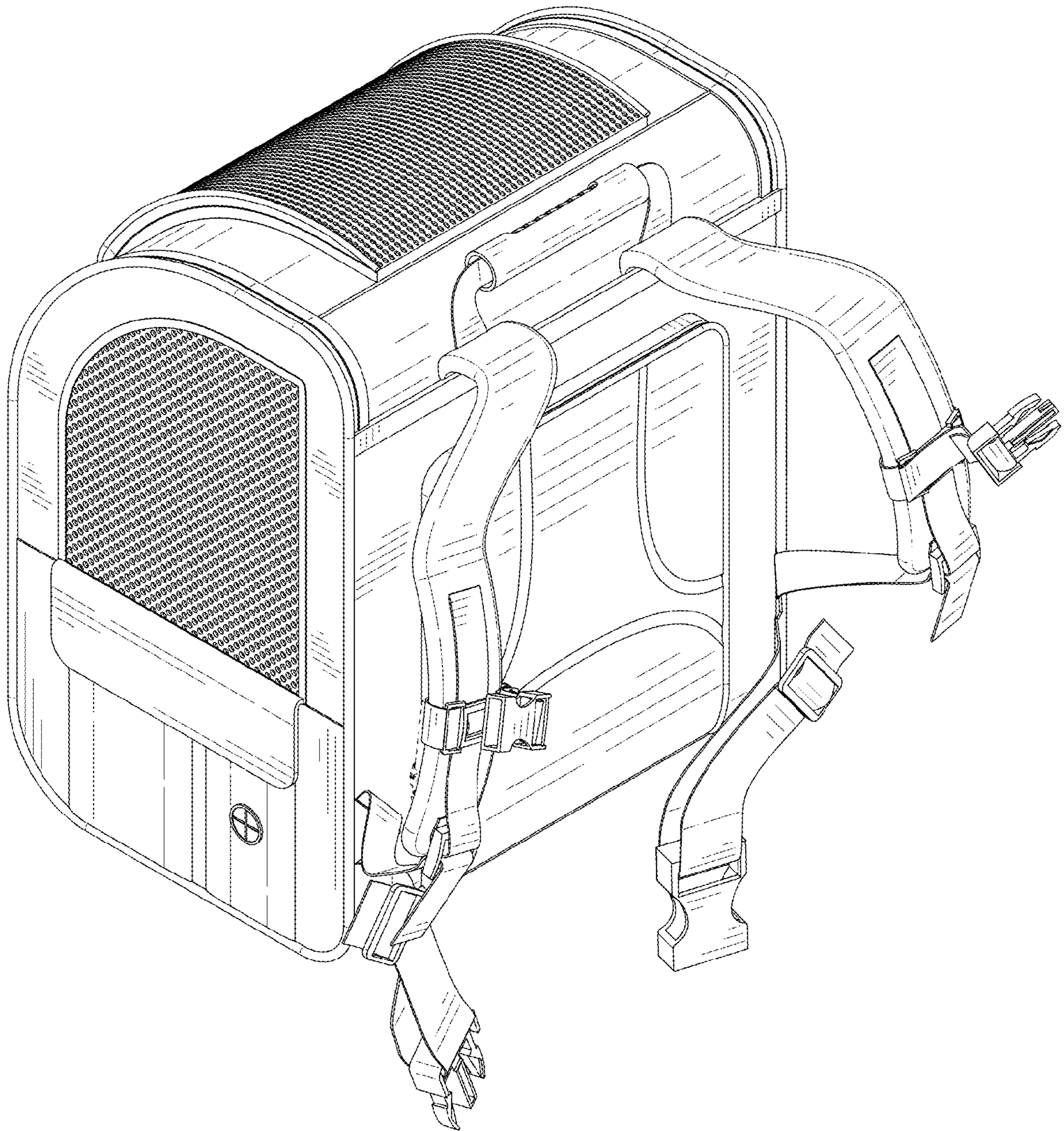


FIG. 10

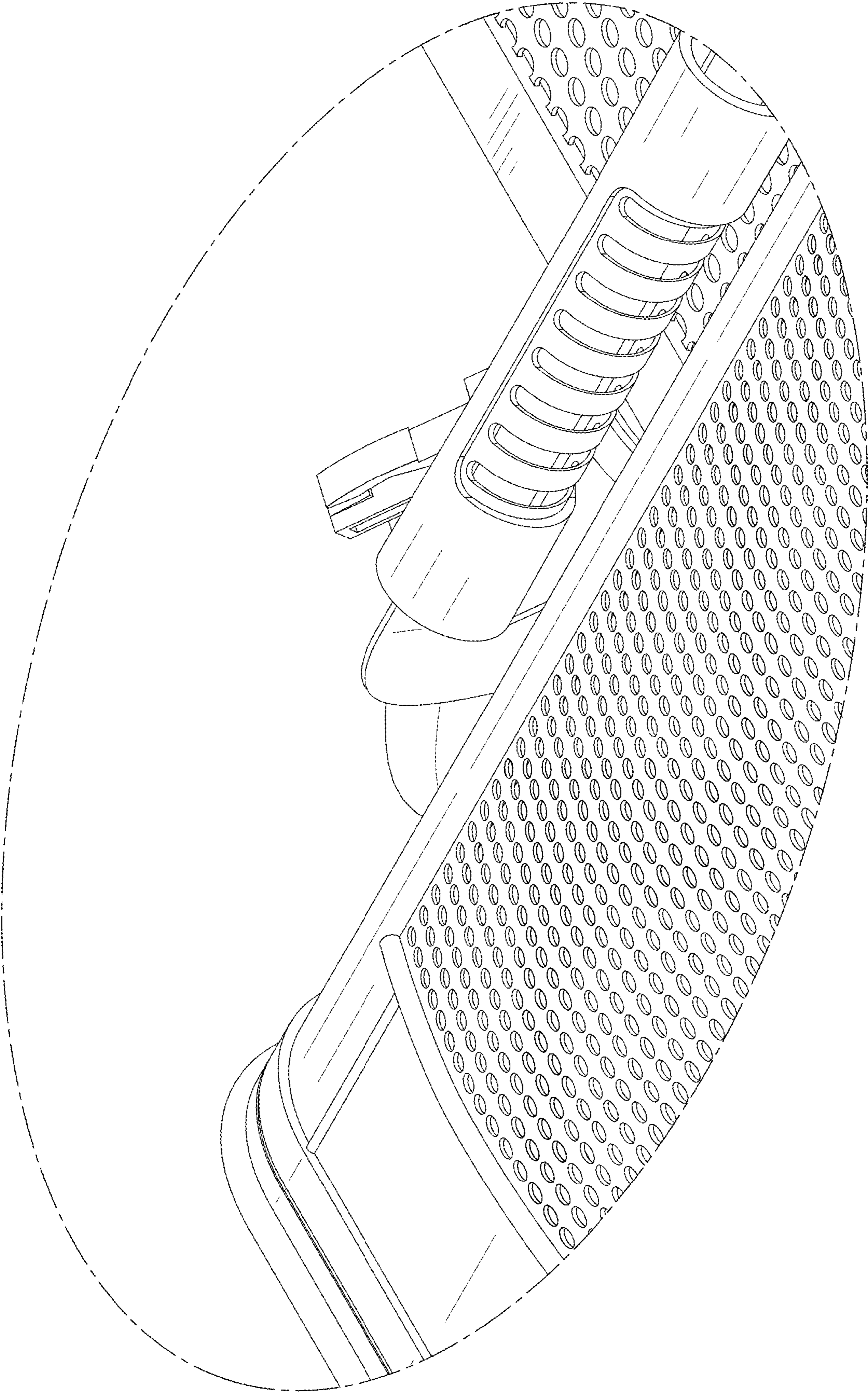


FIG. 11

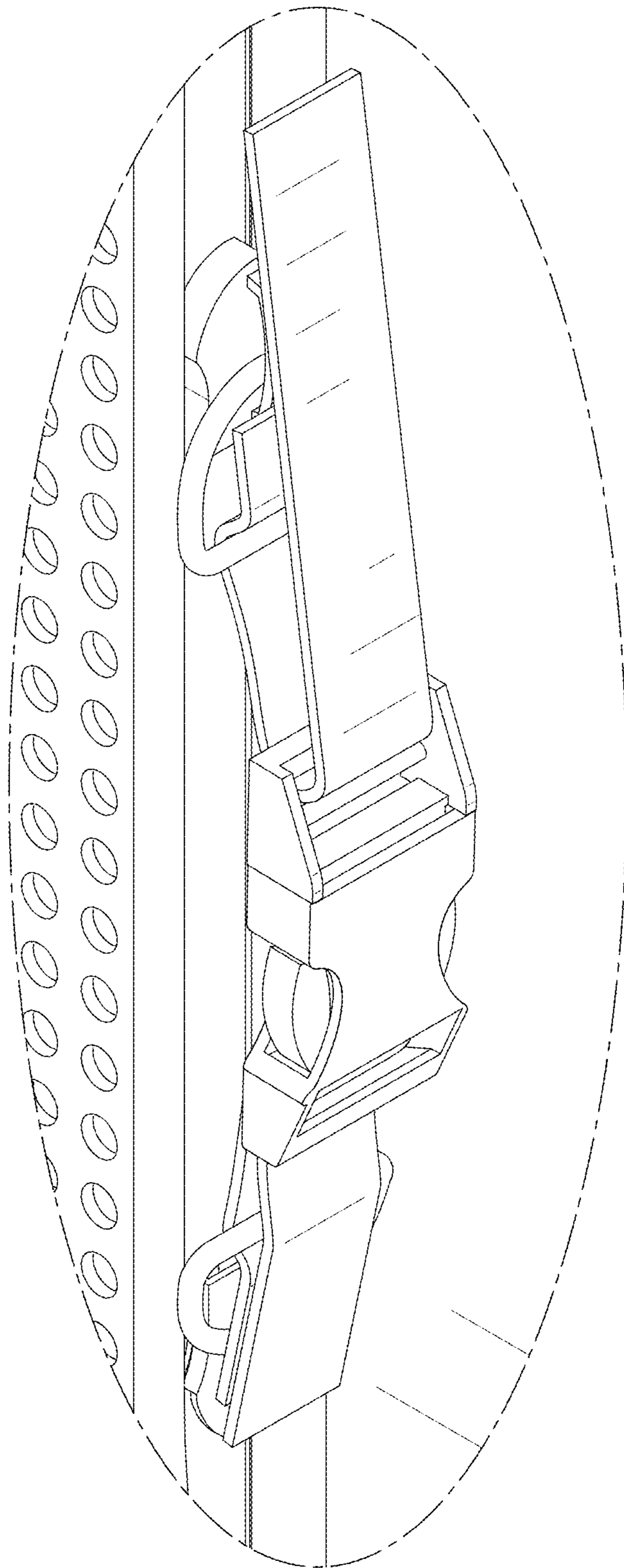


FIG. 12

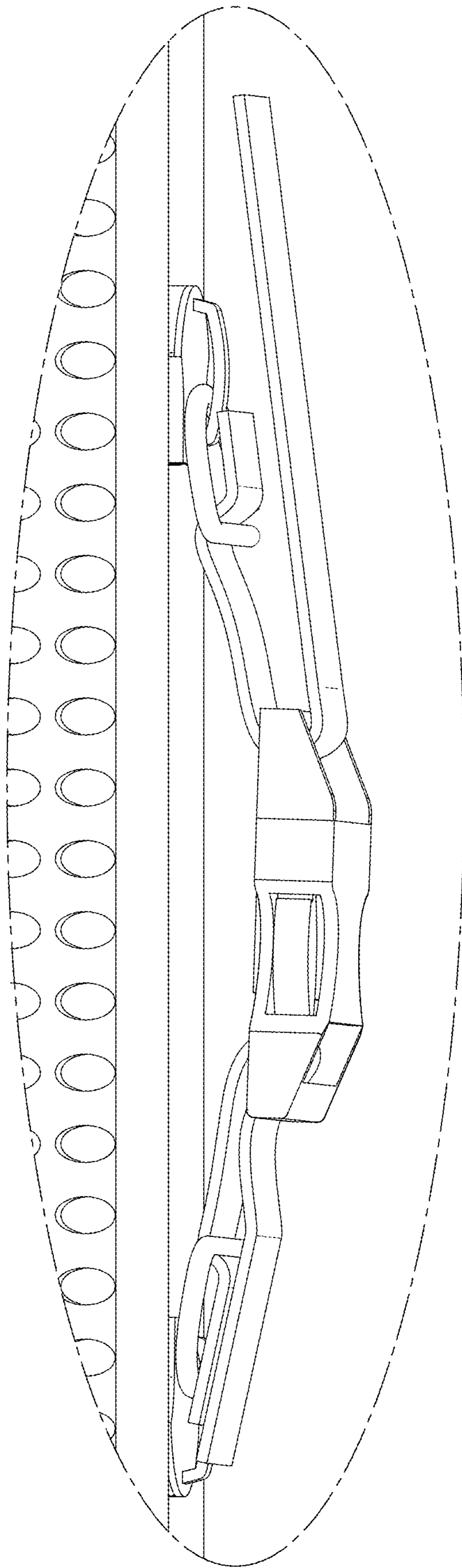


FIG. 13