



US00D902580S

(12) **United States Design Patent**  
**Amatoury et al.**

(10) **Patent No.:** **US D902,580 S**

(45) **Date of Patent:** **\*\* Nov. 24, 2020**

(54) **DIAPER WALLET**

D494,359 S \* 8/2004 Eldon, III ..... D3/203.5  
D506,065 S \* 6/2005 Sugino ..... D13/103  
D516,302 S \* 3/2006 Margiotta ..... D3/203.3

(Continued)

(71) Applicant: **b.box for kids developments Pty Ltd,**  
Mulgrave (AU)

*Primary Examiner* — Steven J Czyn

(72) Inventors: **Sylvain Jacques Amatoury,** Mulgrave  
(AU); **Lisa Edlund Tjernberg,**  
Mulgrave (AU)

(74) *Attorney, Agent, or Firm* — Young Basile Hanlon &  
MacFarlane, P.C.

(73) Assignee: **b.box for kids developments Pty Ltd,**  
Mulgrave (AU)

(57) **CLAIM**

The ornamental design for a diaper wallet, as shown and  
described.

(\*\*) Term: **15 Years**

**DESCRIPTION**

(21) Appl. No.: **29/692,650**

(22) Filed: **May 28, 2019**

(51) **LOC (12) Cl.** ..... **03-01**

(52) **U.S. Cl.**  
USPC ..... **D3/203.1**

(58) **Field of Classification Search**  
USPC ..... D3/20, 201, 203.1–203.8, 205, 206, 273,  
D3/294; D9/734

CPC .. A45C 5/00; A45C 5/005; A45C 7/00; A45C  
7/0018; A45C 11/00; A45C 11/08; A61F  
13/551; A61F 15/00; B65D 43/16

See application file for complete search history.

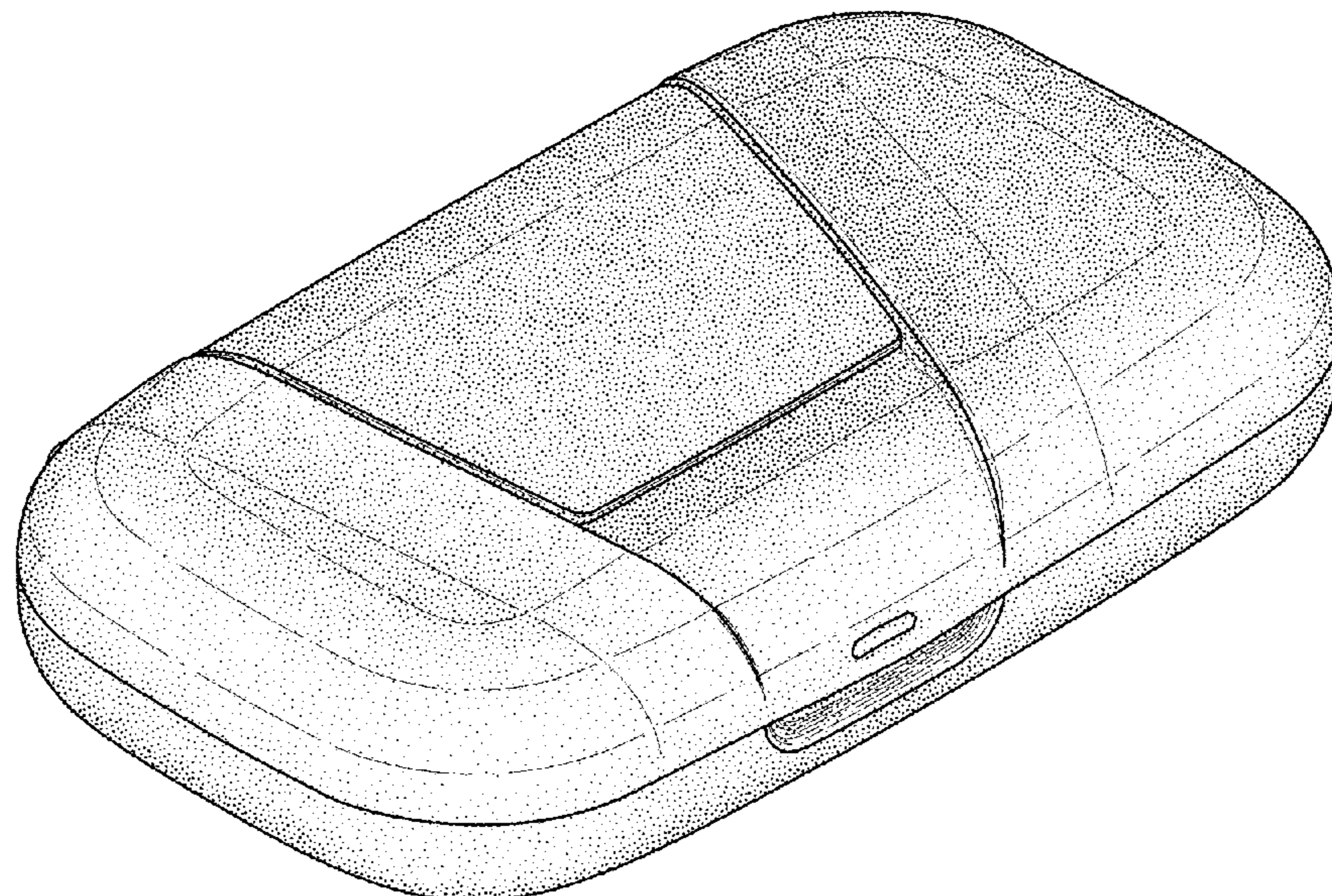
FIG. 1 is an upper, front, left perspective view of a diaper  
wallet in a non-expanded state showing our new design;  
FIG. 2 is an upper plan view of the diaper wallet of FIG. 1.  
FIG. 3 is a front elevation view of the diaper wallet of FIG.  
1.  
FIG. 4 is a left elevation view of the diaper wallet of FIG.  
1.  
FIG. 5 is a rear elevation view of the diaper wallet of FIG.  
1.  
FIG. 6 is a right elevation view of the diaper wallet of FIG.  
1.  
FIG. 7 is an upper, front, left perspective view of the diaper  
wallet in an expanded state;  
FIG. 8 is an upper plan view of the diaper wallet of FIG. 7.  
FIG. 9 is a front elevation view of the diaper wallet of FIG.  
7.  
FIG. 10 is a left elevation view of the diaper wallet of FIG.  
7.  
FIG. 11 is a rear elevation view of the diaper wallet of FIG.  
7; and,  
FIG. 12 is a right elevation view of the diaper wallet of FIG.  
7.  
The ornamental design which is claimed is shown in solid  
lines in the drawings. The broken lines depict portions of the  
article that form no part of the claimed design.

(56) **References Cited**

U.S. PATENT DOCUMENTS

D335,896 S \* 5/1993 Evenson ..... D19/83  
5,638,957 A \* 6/1997 Brasier ..... A61F 13/551  
206/581  
D423,772 S \* 5/2000 Cooper ..... D3/201  
D458,127 S \* 6/2002 de Groote ..... D3/294  
D463,101 S \* 9/2002 Gardner ..... D3/203.2  
D466,807 S \* 12/2002 Buck ..... D3/294  
D473,740 S \* 4/2003 Ruhotas ..... D6/515  
D483,559 S \* 12/2003 Eldon, III ..... D3/203.1  
D484,305 S \* 12/2003 Eldon, III ..... D3/205  
D491,358 S \* 6/2004 Hofman ..... D3/273

**1 Claim, 6 Drawing Sheets**



(56)

References Cited

U.S. PATENT DOCUMENTS

D516,801 S \* 3/2006 Jones, III ..... D3/203.2  
 D518,287 S \* 4/2006 Margiotta ..... D3/203.3  
 D525,464 S \* 7/2006 Khurana ..... D6/518  
 D546,602 S \* 7/2007 Chasid ..... D6/518  
 D554,859 S \* 11/2007 Sides ..... D3/273  
 D566,395 S \* 4/2008 Langer ..... D3/294  
 D579,201 S \* 10/2008 Galli ..... D3/273  
 D585,638 S \* 2/2009 Skedelius ..... D3/203.2  
 D592,398 S \* 5/2009 Roesler ..... D3/294  
 D592,399 S \* 5/2009 Sage ..... D3/295  
 D593,316 S \* 6/2009 Ruwiel ..... D3/203.2  
 D636,598 S \* 4/2011 Tseng ..... D3/294  
 D641,164 S \* 7/2011 Cornu ..... D3/294  
 D652,617 S \* 1/2012 Chen ..... D3/203.3  
 D673,366 S \* 1/2013 Schumann ..... D3/294  
 D674,181 S \* 1/2013 Faulkner ..... D24/231  
 D675,434 S \* 2/2013 Vernall ..... D3/294  
 D675,823 S \* 2/2013 Vernall ..... D3/294  
 D676,239 S \* 2/2013 Benoit ..... D3/294

D715,051 S \* 10/2014 Tung ..... D3/294  
 D718,048 S \* 11/2014 Hsu ..... D3/273  
 D718,049 S \* 11/2014 Hsu ..... D3/273  
 D720,526 S \* 1/2015 Lopez-Stout ..... D3/205  
 D740,018 S \* 10/2015 Zhang ..... D3/201  
 9,277,843 B2 \* 3/2016 Mays ..... B65D 43/0208  
 D758,064 S \* 6/2016 Zwetzig ..... D3/201  
 D774,757 S \* 12/2016 Bournay, Jr. .... D3/276  
 D804,218 S \* 12/2017 Worden, IV ..... D6/518  
 D810,421 S \* 2/2018 Ross ..... D3/203.1  
 D815,436 S \* 4/2018 Stanley ..... D3/294  
 D829,213 S \* 9/2018 Szeremeta ..... D14/432  
 D846,264 S \* 4/2019 Wu ..... D3/201  
 D857,373 S \* 8/2019 Karsenti ..... D3/201  
 D864,110 S \* 10/2019 Yoshimura ..... D13/108  
 D876,821 S \* 3/2020 Lee ..... D3/203.3  
 D878,048 S \* 3/2020 Wang ..... D3/294  
 D879,461 S \* 3/2020 Burts ..... D3/203.1  
 D882,262 S \* 4/2020 Zhang ..... D3/294  
 2016/0052699 A1 \* 2/2016 Neitzel ..... B65D 43/164  
 206/518

\* cited by examiner

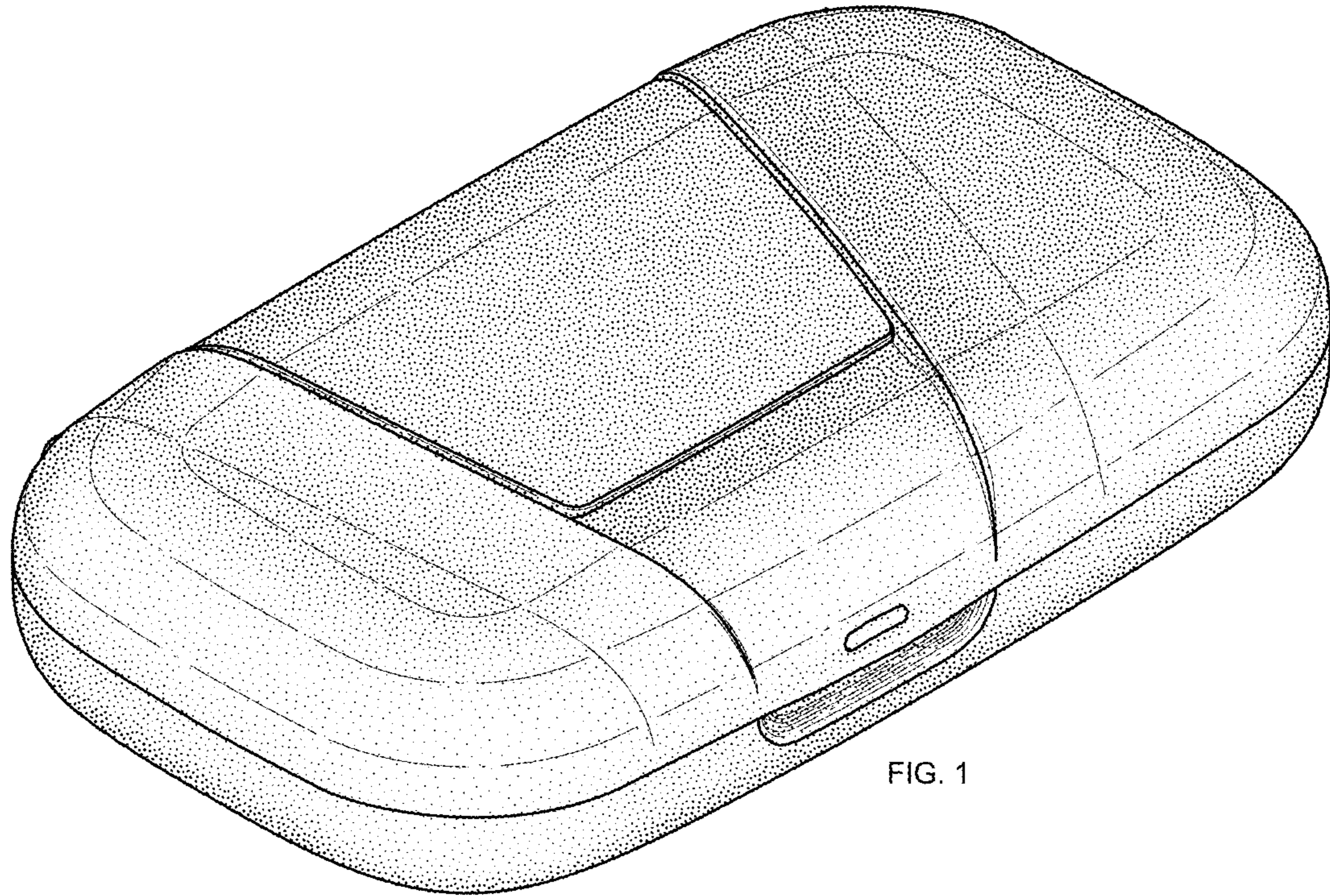


FIG. 1

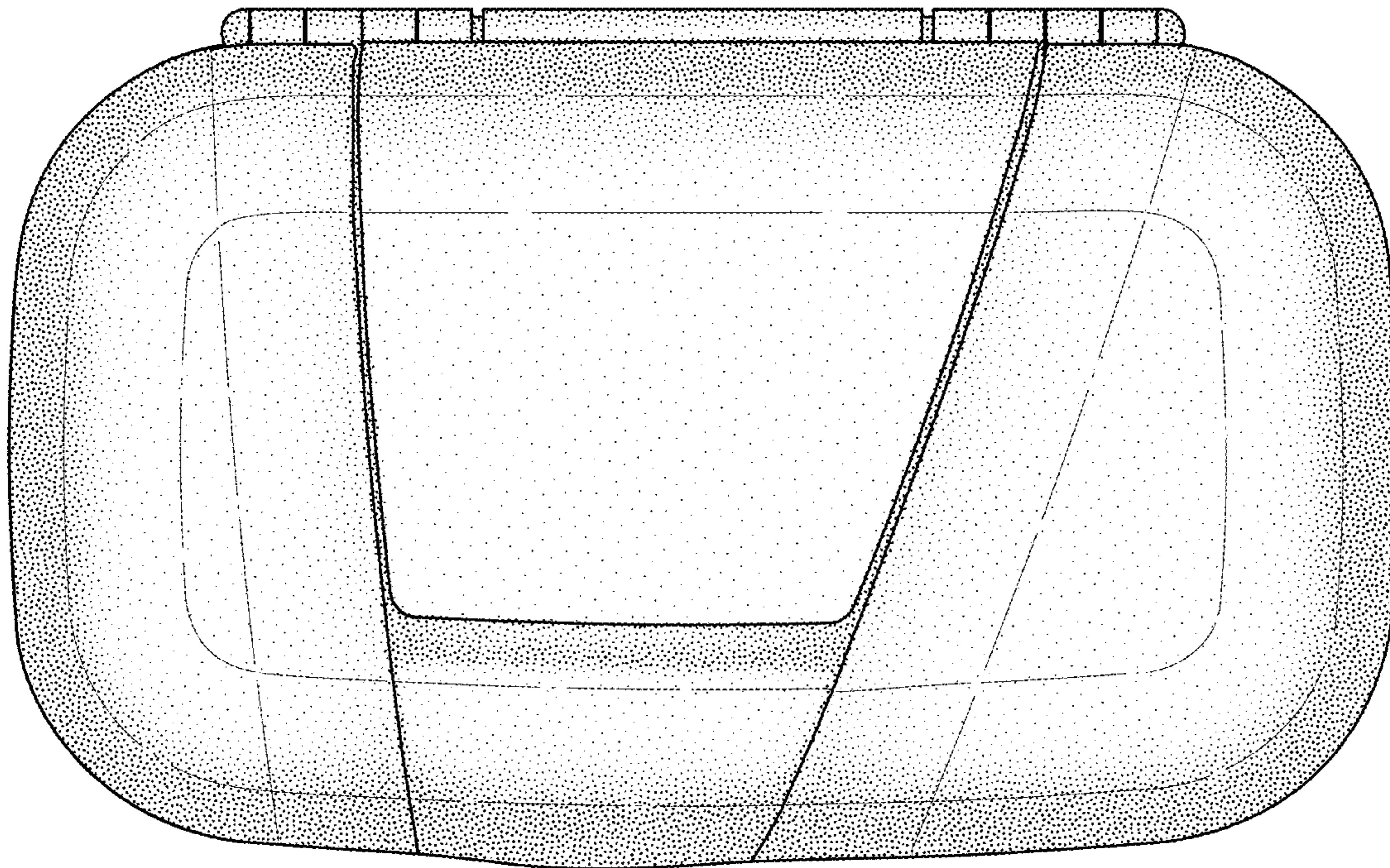


FIG. 2

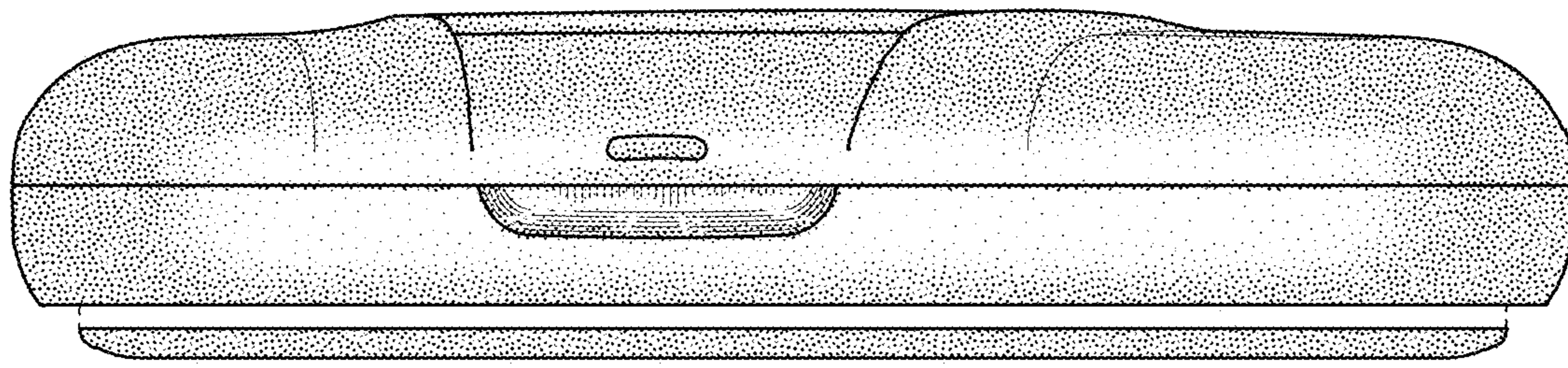


FIG. 3

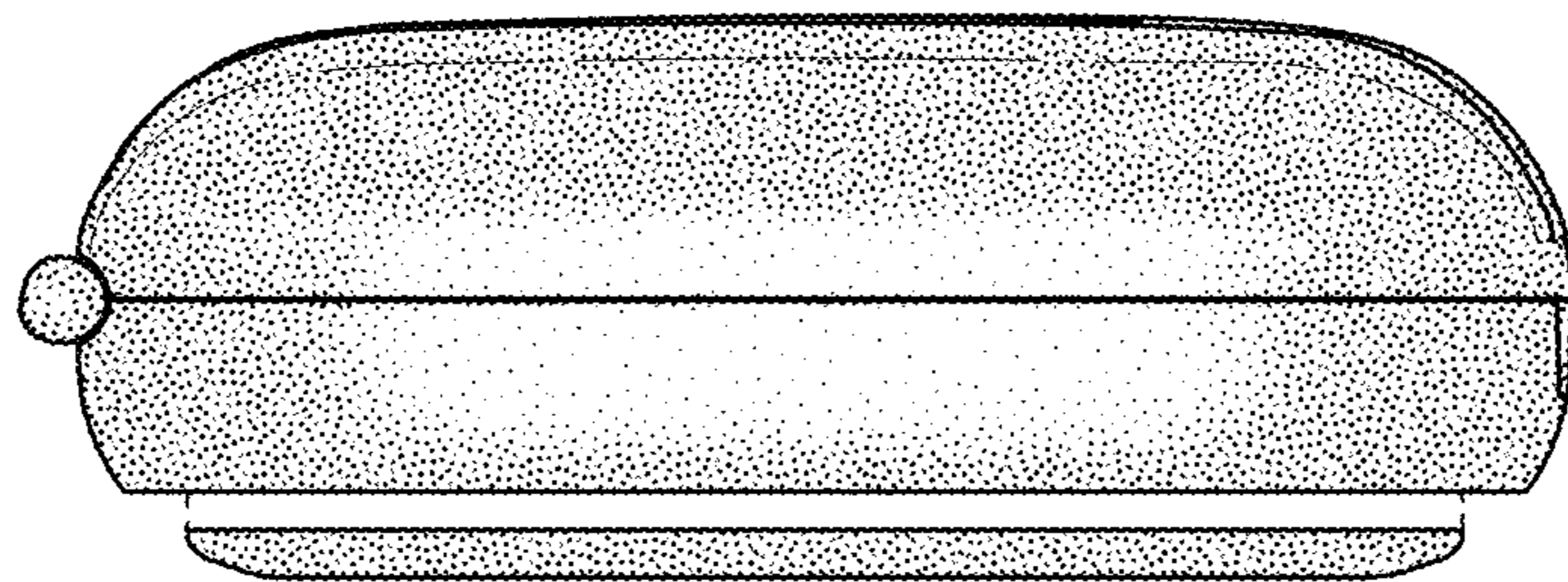


FIG. 4

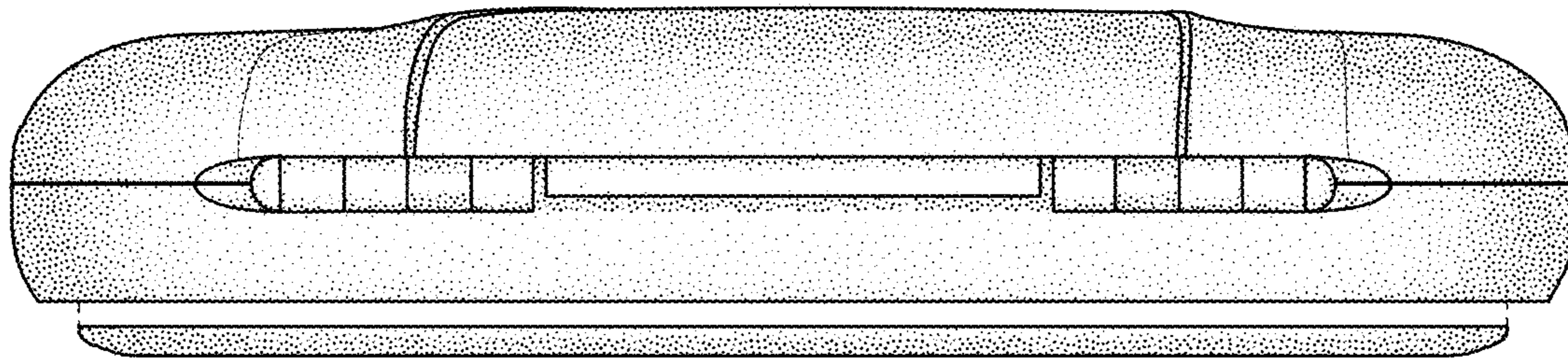


FIG. 5

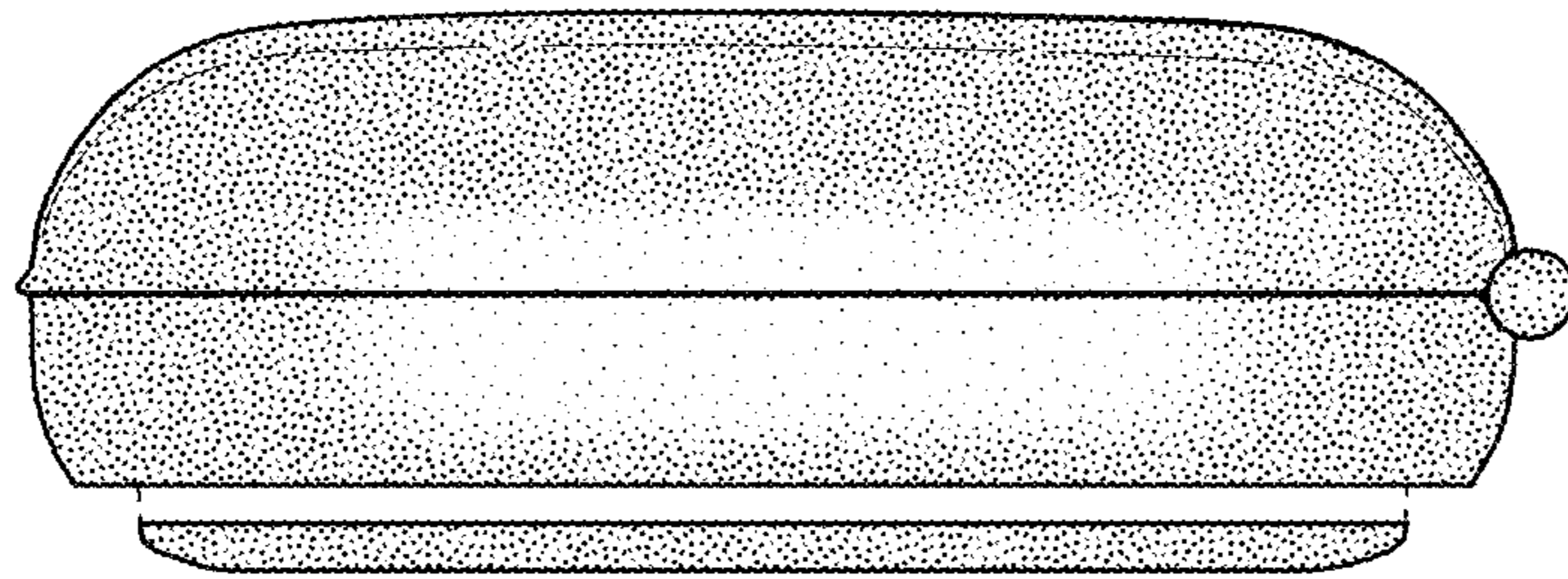


FIG. 6

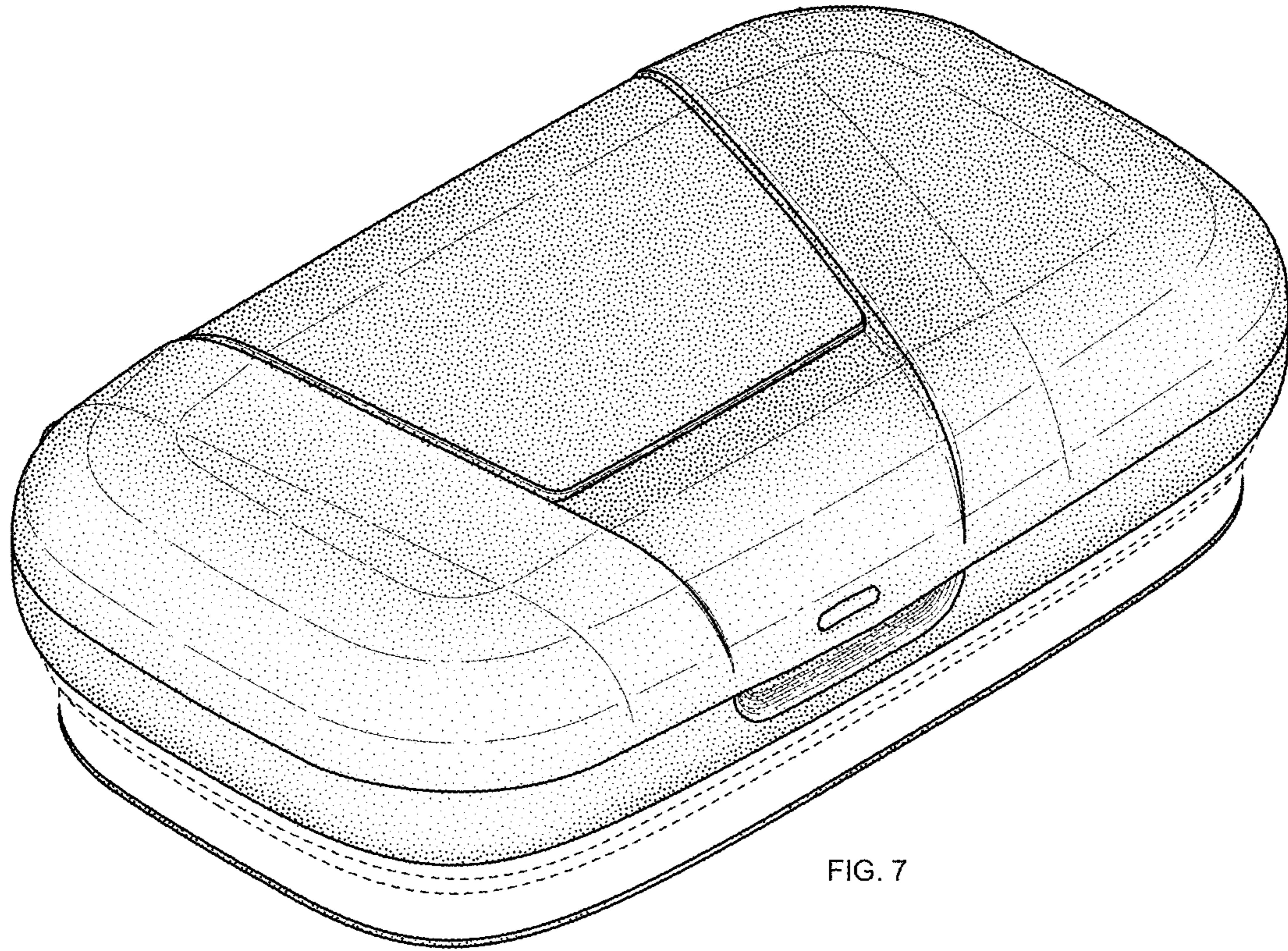


FIG. 7

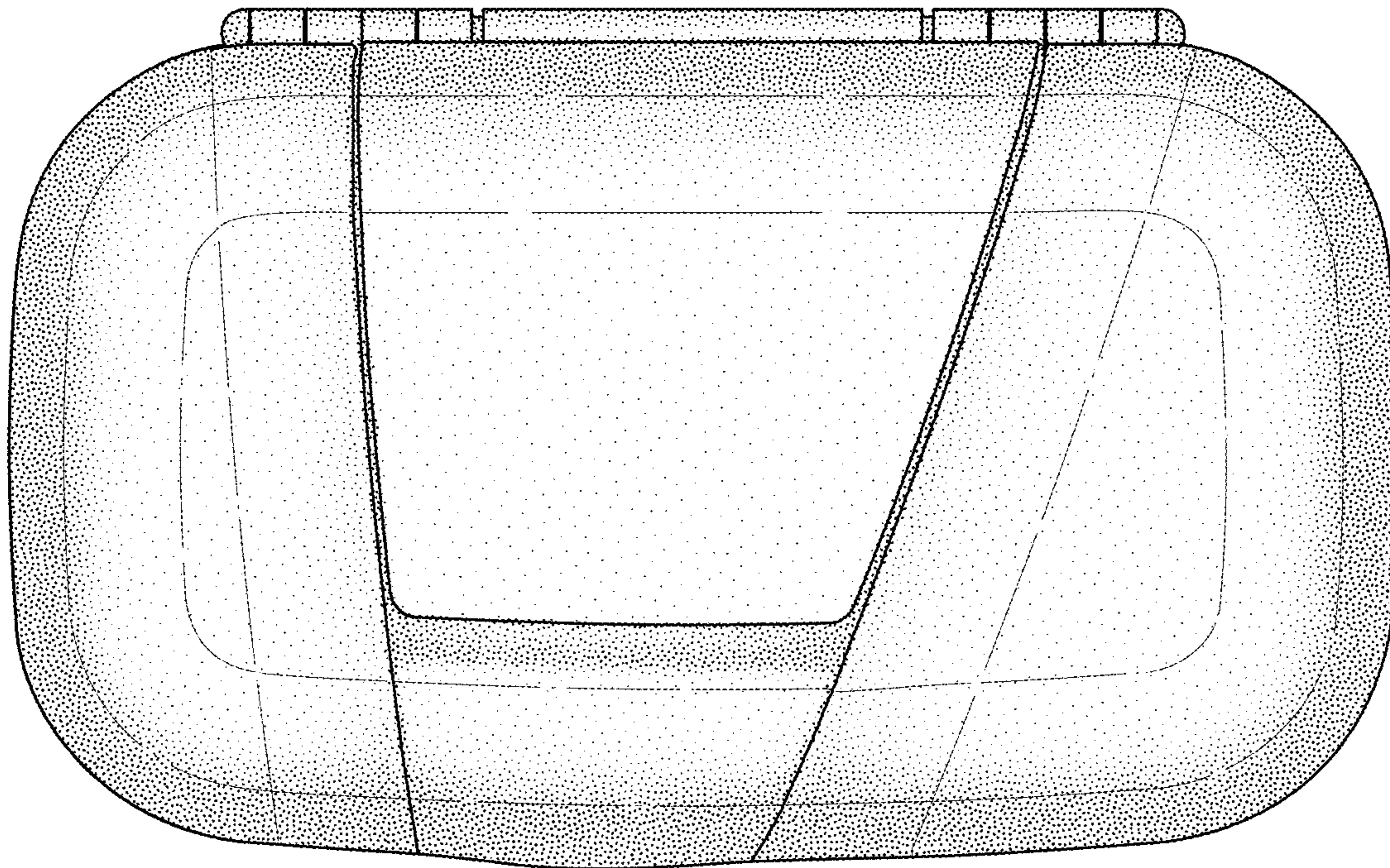


FIG. 8

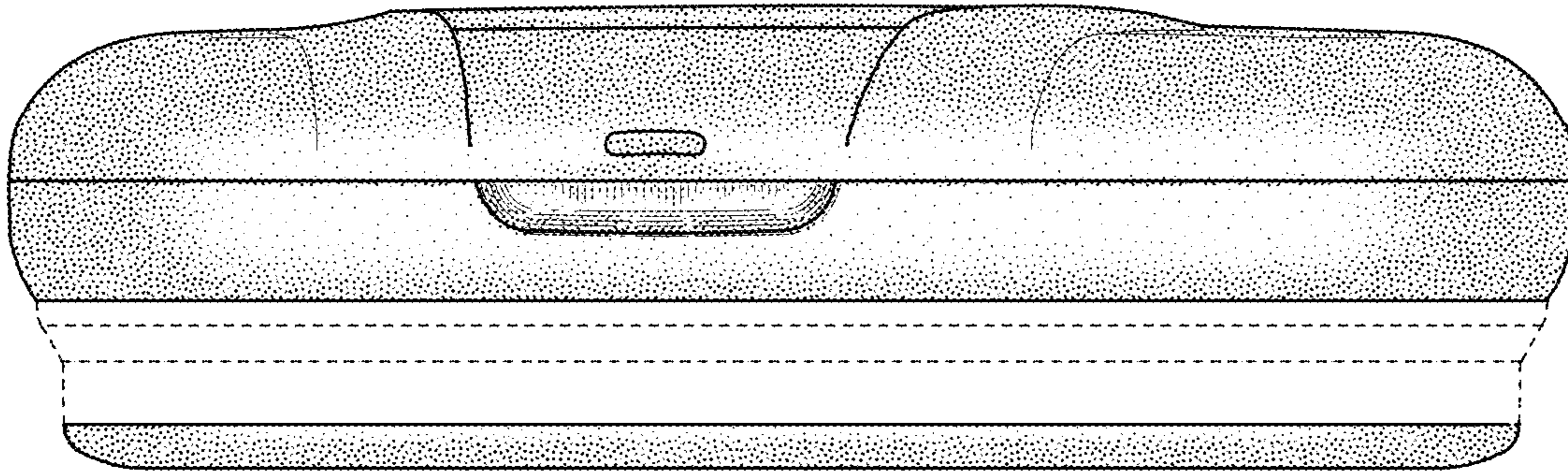


FIG. 9

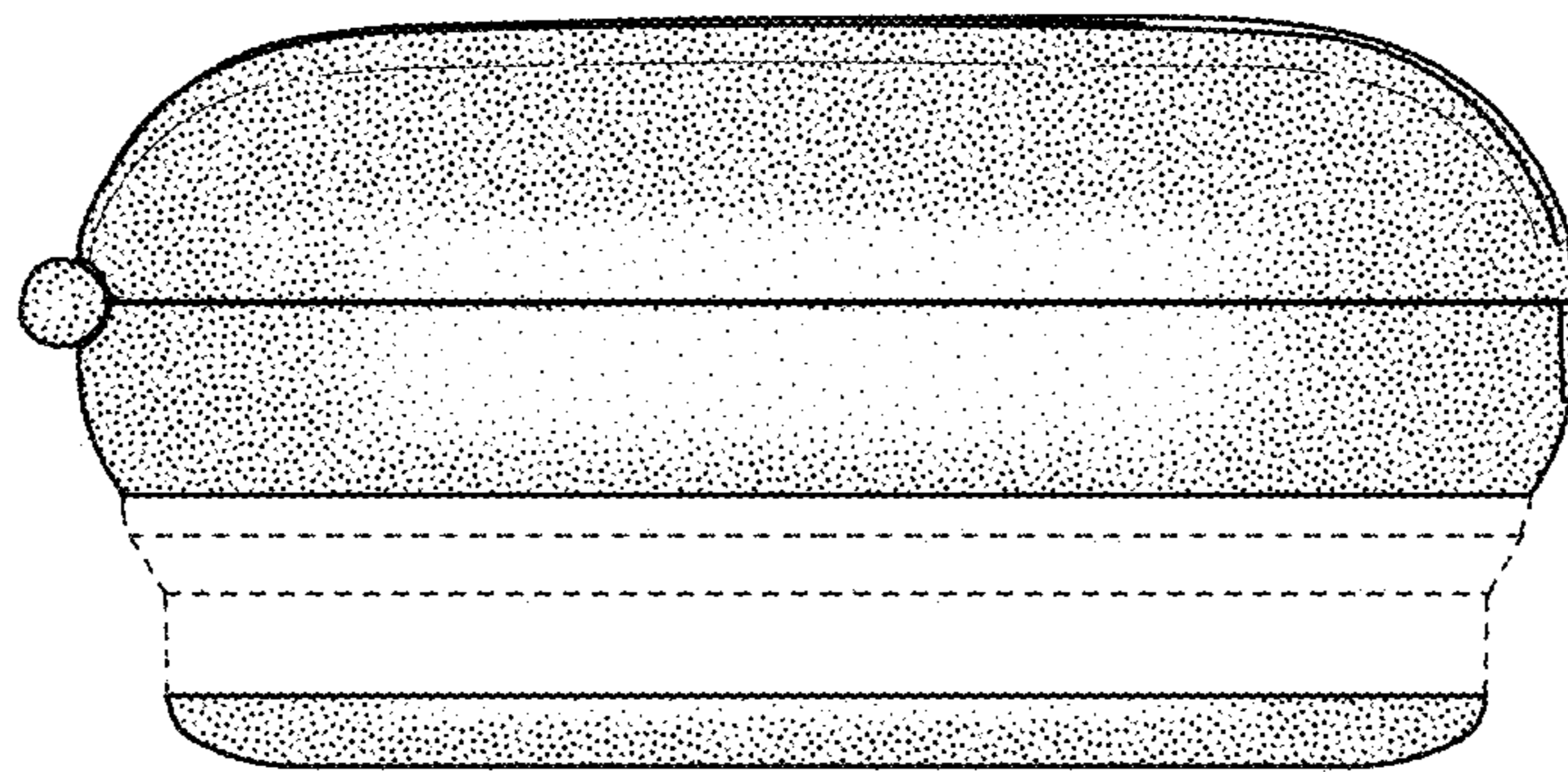


FIG. 10

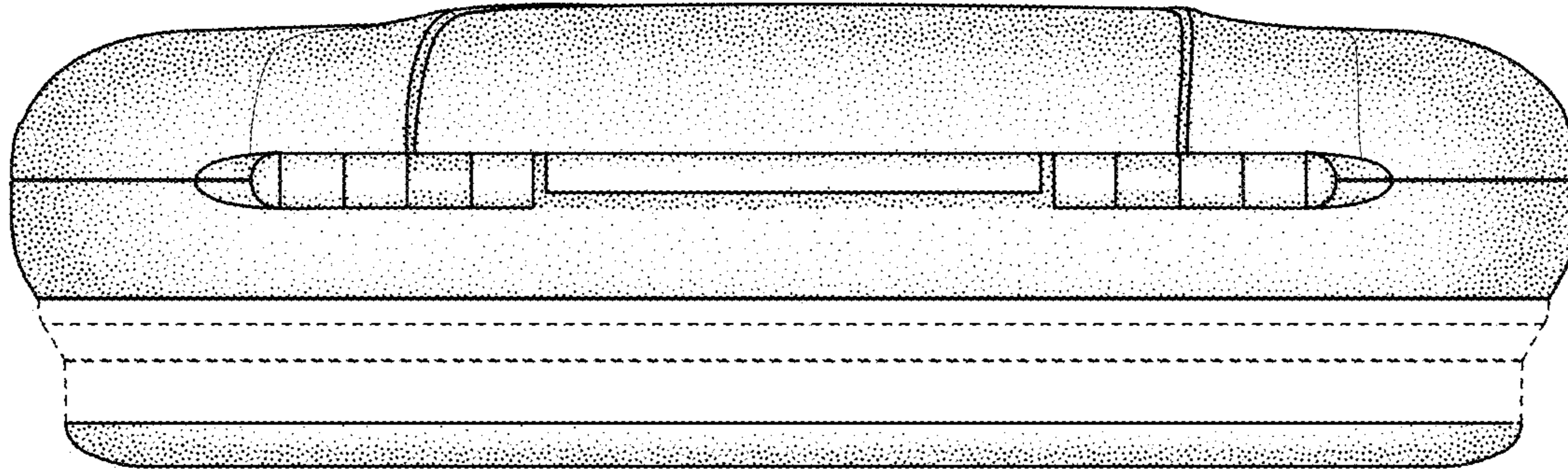


FIG. 11

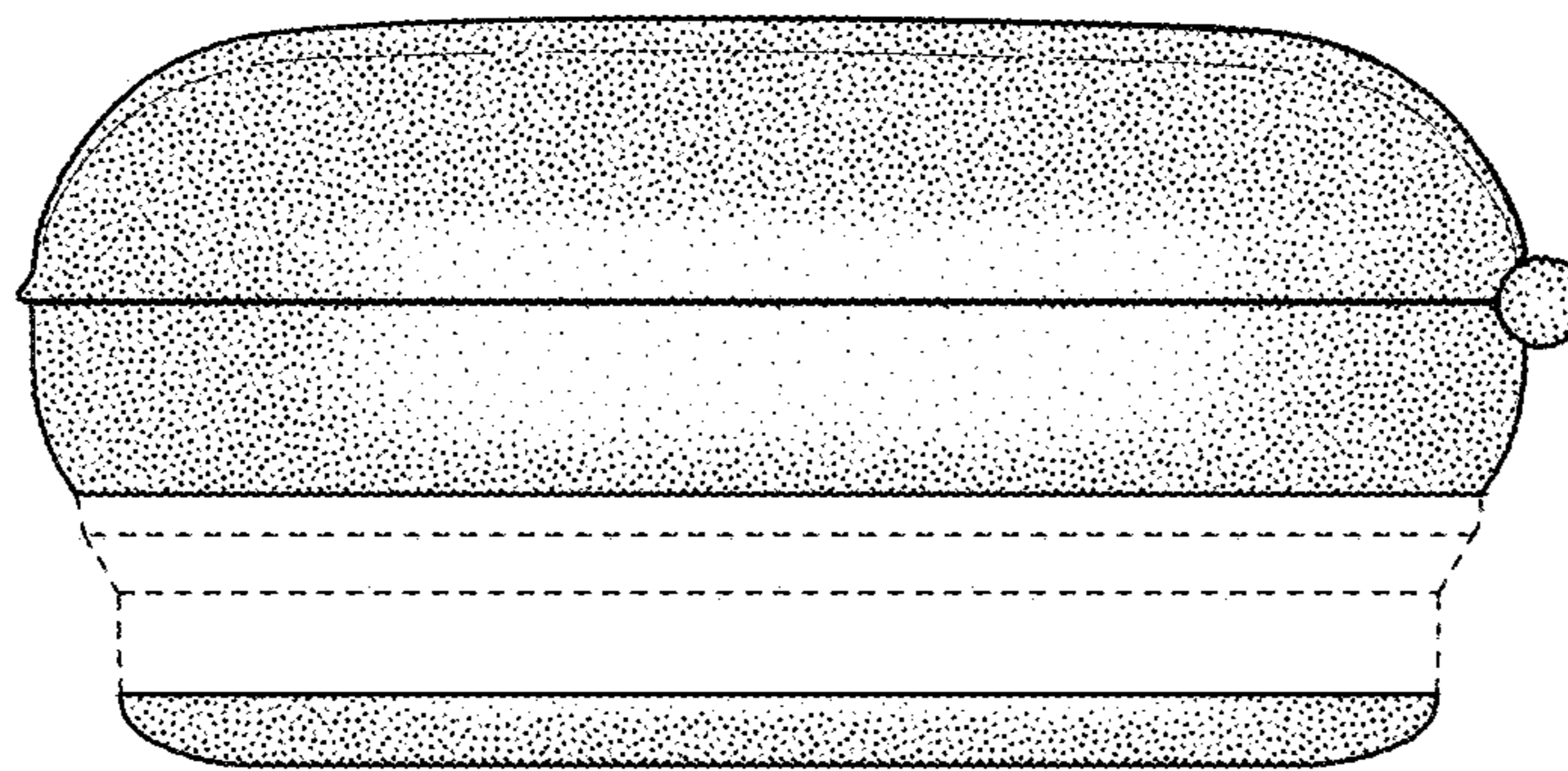


FIG. 12