



US00D902579S

(12) **United States Design Patent**  
**Hu**

(10) **Patent No.:** **US D902,579 S**

(45) **Date of Patent:** **\*\* Nov. 24, 2020**

(54) **MEDICINE ADMINISTRATION DEVICE**

(71) Applicant: **Changzhou Huajia Medical Device Ltd., Changzhou (CN)**

(72) Inventor: **Longsheng Hu, Changzhou (CN)**

(\*\*) Term: **15 Years**

(21) Appl. No.: **29/677,775**

(22) Filed: **Jan. 23, 2019**

(30) **Foreign Application Priority Data**

Aug. 10, 2018 (CN) ..... 2018 3 0443312

(51) **LOC (12) Cl.** ..... **03-01**

(52) **U.S. Cl.**  
USPC ..... **D3/203.1**

(58) **Field of Classification Search**  
USPC ..... D3/203.1; D10/30, 31, 32; D24/107, D24/108, 127, 185, 186  
CPC .... G04B 47/06; G04B 47/061; G04B 47/063; A61B 5/00; A61B 5/02438; A61B 5/0404; A61B 5/042; A61B 5/6801; A61B 5/681; A61B 5/6824; A61B 2017/00442  
See application file for complete search history.

(56) **References Cited**

**U.S. PATENT DOCUMENTS**

D269,546 S *	6/1983	Rogers	.....	D10/30
D305,100 S *	12/1989	Paulin	.....	D9/671
5,050,142 A *	9/1991	Gibbs	.....	G04D 99/00 368/11
D329,201 S *	9/1992	Barat	.....	224/165
5,157,640 A *	10/1992	Backner	.....	A61J 7/0481 368/10
D347,583 S *	6/1994	Elkins, III	.....	D10/32
D394,395 S *	5/1998	Bruce	.....	D10/30
D409,504 S *	5/1999	Collier	.....	D10/126
D416,811 S *	11/1999	Krauss	.....	D10/30

6,075,755 A *	6/2000	Zarchan	.....	A61J 7/0481 368/10
D434,333 S *	11/2000	Riley	.....	D10/30
D451,818 S *	12/2001	Riley	.....	D10/30
D496,291 S *	9/2004	Walsh, III	.....	D10/32
D529,402 S *	10/2006	Burton	.....	D10/32
D535,205 S *	1/2007	Frederick	.....	D10/104.1
D540,695 S *	4/2007	Leung	.....	D10/31
D548,113 S *	8/2007	Burton	.....	D10/32
D645,360 S *	9/2011	Kiser	.....	D10/32
D657,697 S *	4/2012	Lammers-Meis	.....	D10/31

(Continued)

*Primary Examiner* — Steven J Czyz

(74) *Attorney, Agent, or Firm* — Albert Bordas, P.A.

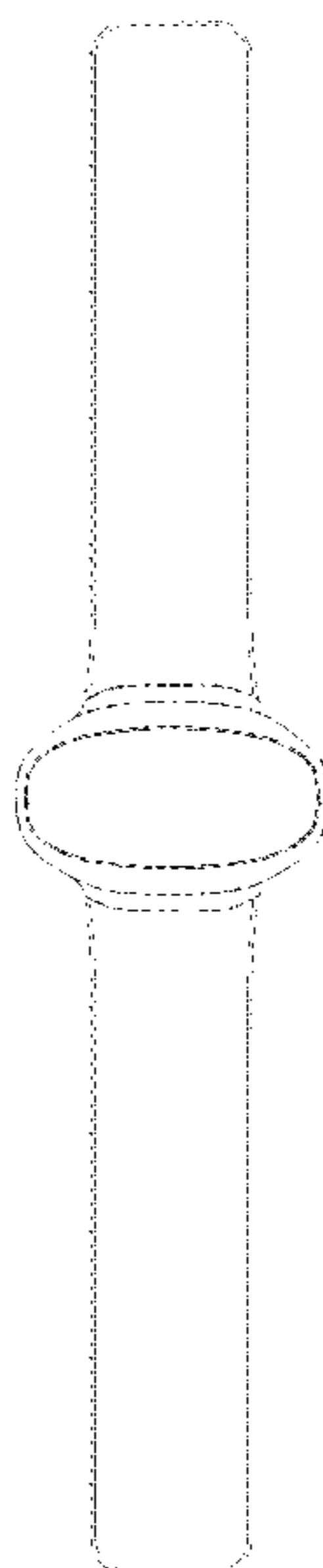
(57) **CLAIM**

The ornamental design for a medicine administration device, as shown and described.

**DESCRIPTION**

FIG. 1 is a front view of a medicine administration device; FIG. 2 is a rear view of the medicine administration device design thereof; FIG. 3 is a left view of the medicine administration device design thereof; FIG. 4 is a right view of the medicine administration device design thereof; FIG. 5 is a first perspective view of the medicine administration device design thereof; FIG. 6 is a second perspective view of the medicine administration device design thereof; FIG. 7 is a third perspective view of the medicine administration device design thereof; FIG. 8 is a fourth perspective view of the medicine administration device design thereof; FIG. 9 is a fifth perspective view of the medicine administration device design thereof; and, FIG. 10 is a front view of the medicine administration device, shown in use and in an alternate state.

**1 Claim, 10 Drawing Sheets**



(56)

**References Cited**

U.S. PATENT DOCUMENTS

D709,787 S \* 7/2014 Rummonds ..... D11/2  
D710,235 S \* 8/2014 Rummonds ..... D11/2  
D761,675 S \* 7/2016 Thaveeprungsriporn ..... D10/38  
D768,623 S \* 10/2016 Zou ..... D10/39  
D773,944 S \* 12/2016 Wang ..... D10/30  
9,927,774 B2 \* 3/2018 Rotbergs ..... G04B 37/127  
10,383,528 B2 \* 8/2019 Ho ..... A61B 5/02108  
D860,818 S \* 9/2019 Viry ..... D10/32  
D864,011 S \* 10/2019 Moon ..... D11/3  
D865,543 S \* 11/2019 Lumme ..... D10/70  
D865,546 S \* 11/2019 Kellock ..... D10/70

\* cited by examiner

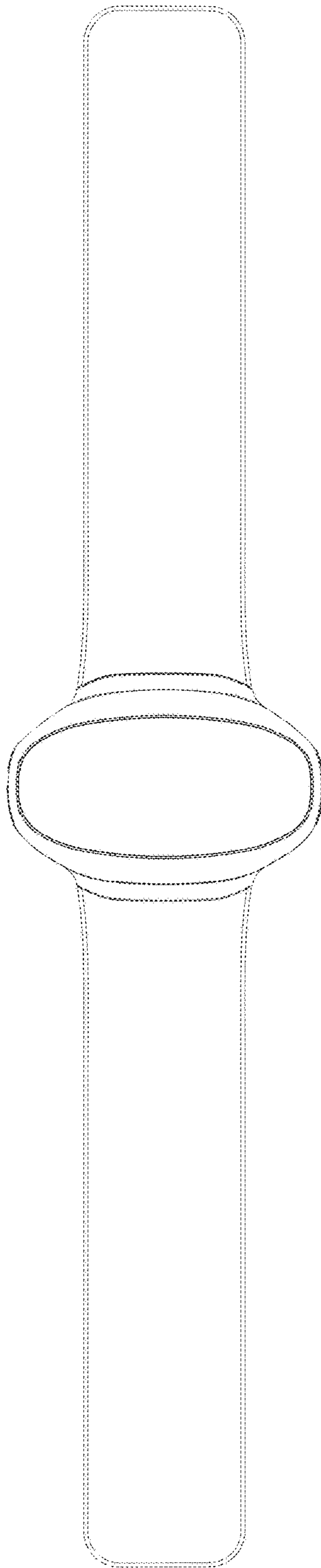


FIG. 1

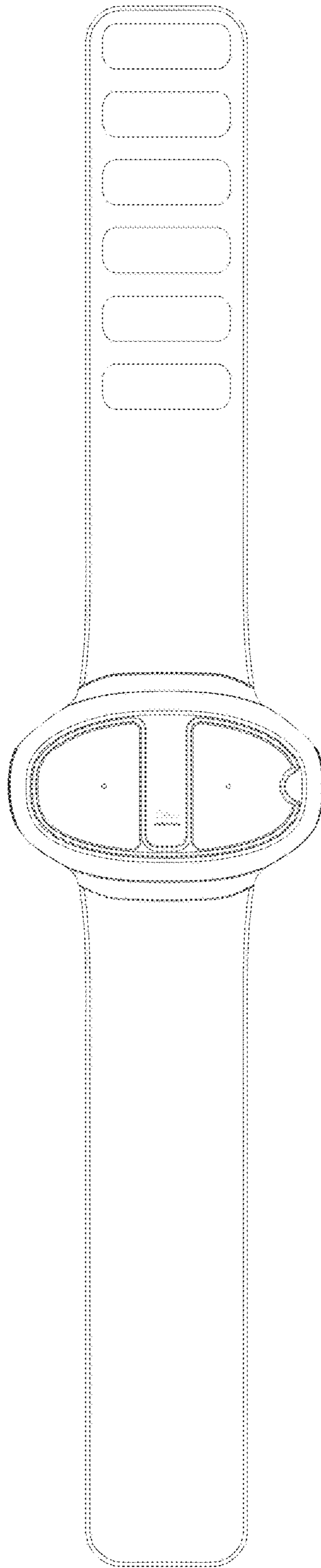


FIG. 2

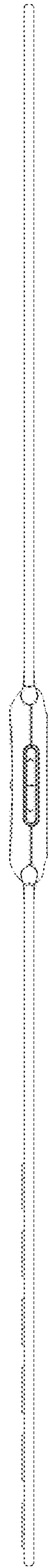


FIG. 3



FIG. 4

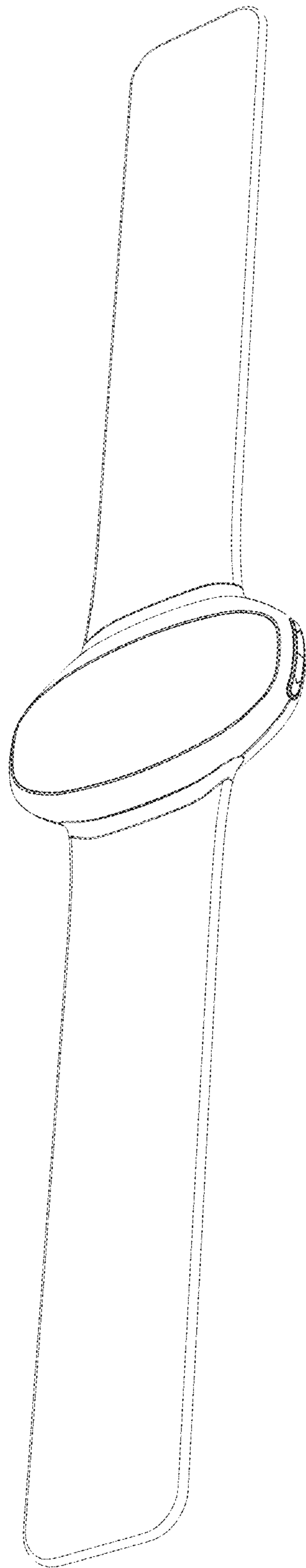


FIG. 5

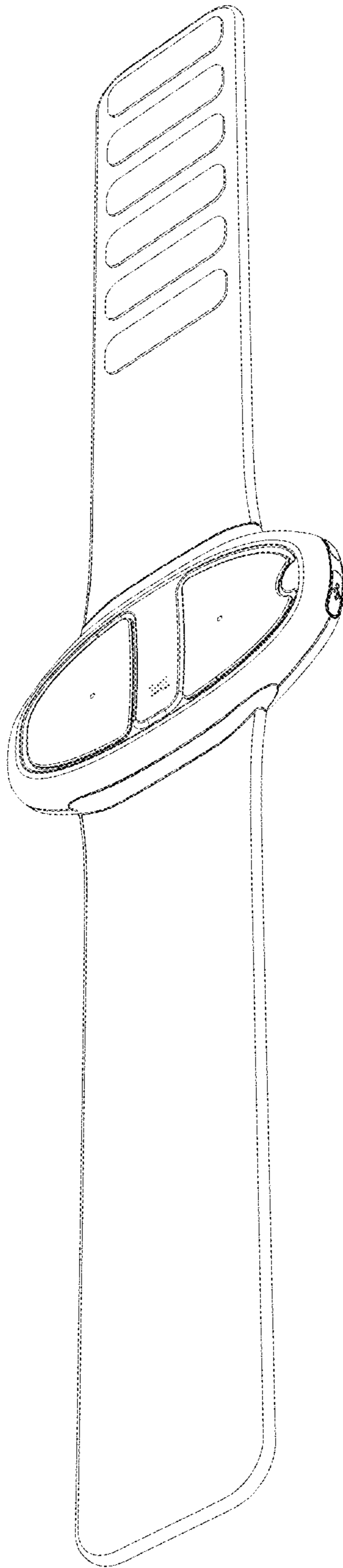


FIG. 6



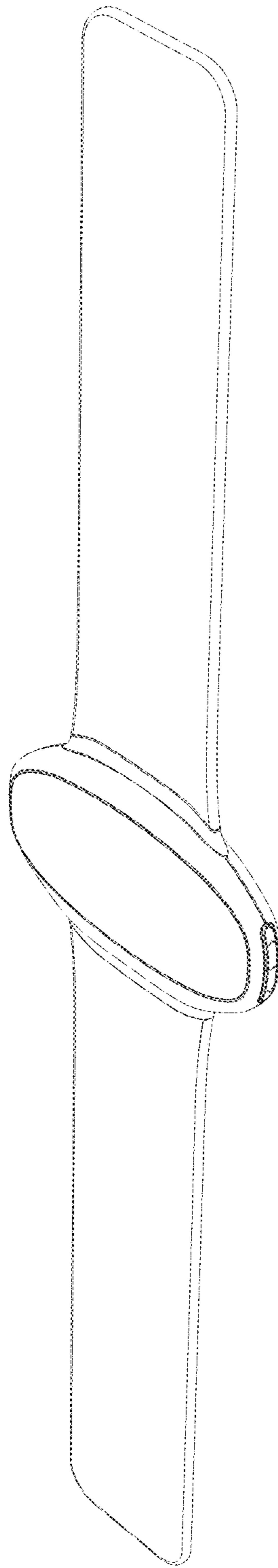


FIG. 7

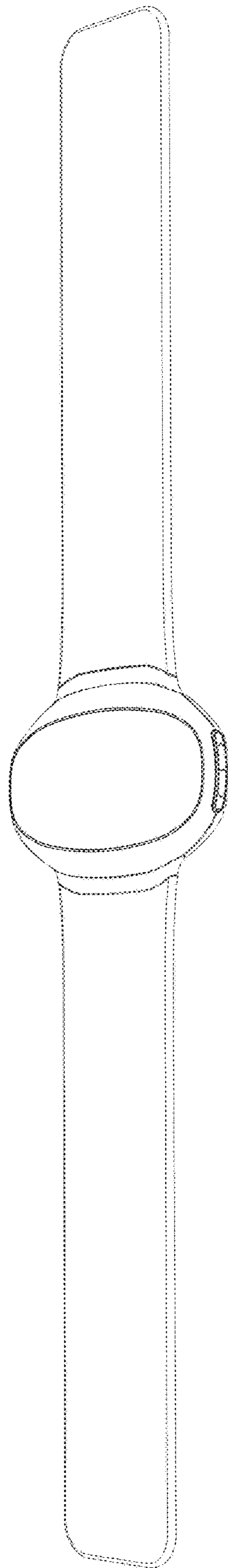


FIG. 8

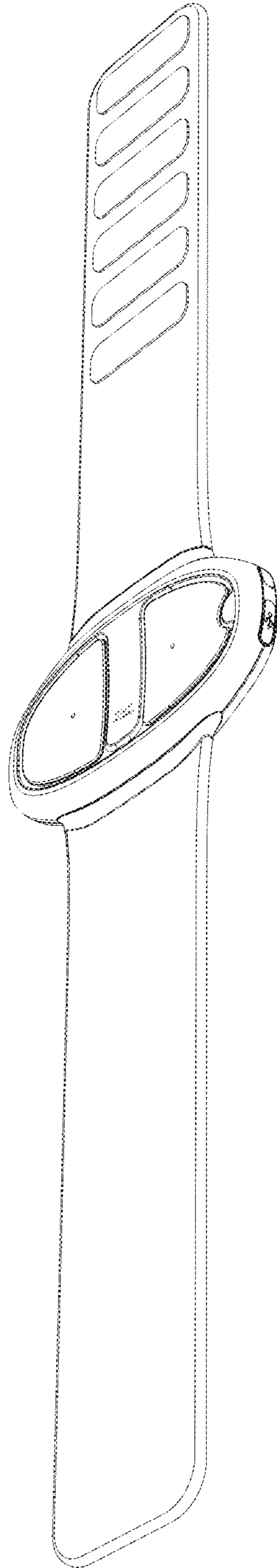


FIG. 9

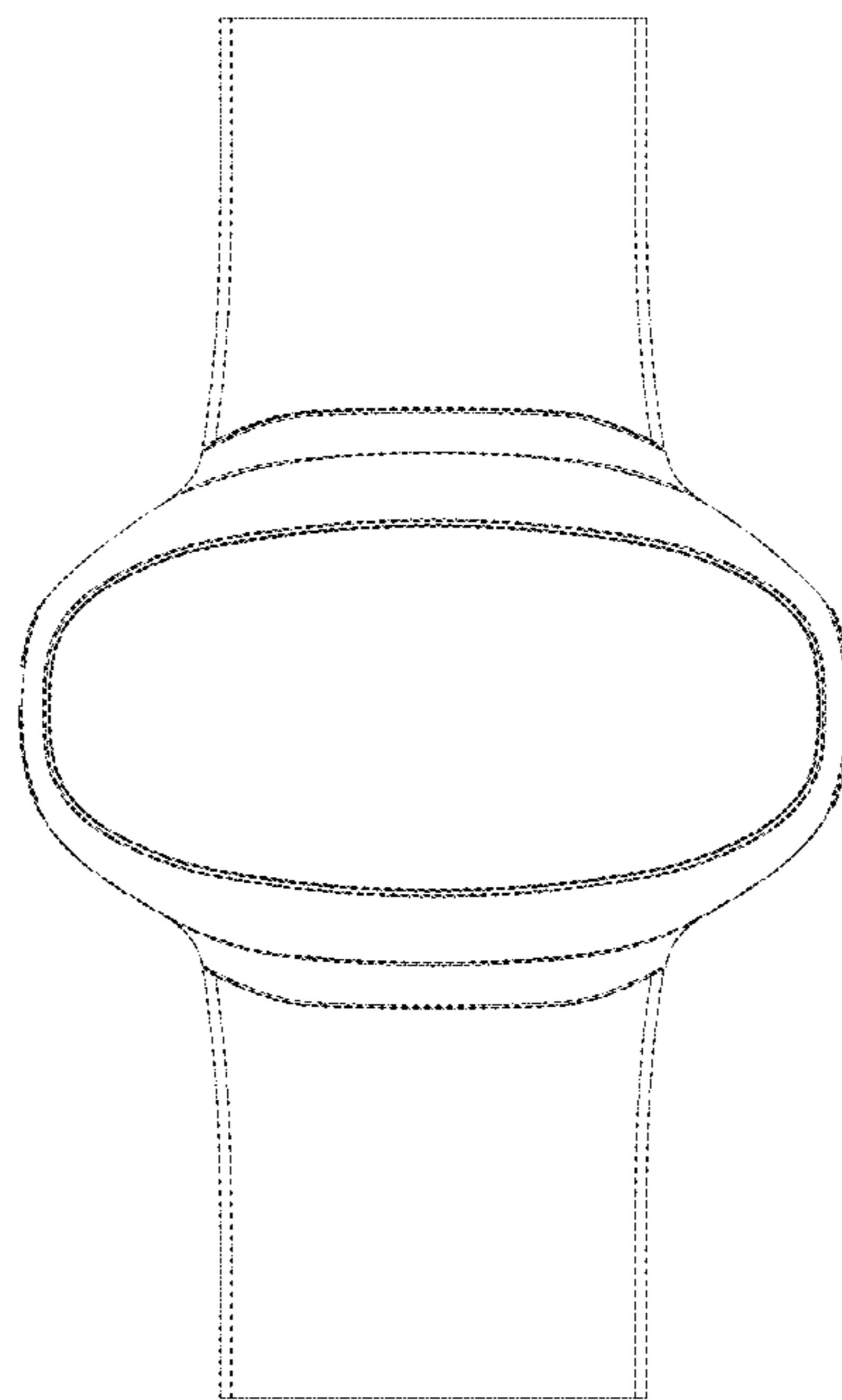


FIG. 10