



US00D902578S

(12) **United States Design Patent** (10) **Patent No.:** **US D902,578 S**
Bloch et al. (45) **Date of Patent:** **** Nov. 24, 2020**

(54) **CASE FOR AN ORAL DEVICE**
(71) Applicant: **Colgate-Palmolive Company**, New York, NY (US)
(72) Inventors: **Brian Bloch**, Hillsborough, NJ (US); **Scott Demarest**, Basking Ridge, NJ (US)
(73) Assignee: **Colgate-Palmolive Company**, New York, NY (US)

D772,572 S * 11/2016 Palmborg D3/201
D816,994 S * 5/2018 Fischer D3/294
D839,583 S * 2/2019 Cao D3/201
D851,913 S * 6/2019 Yu D3/201
10,418,604 B2 * 9/2019 Kakiel H01M 2/1066
D869,163 S * 12/2019 Maguire D3/301
2007/0012711 A1 1/2007 Vest

FOREIGN PATENT DOCUMENTS

JP 1134216 S 12/2001
TW D106555 S 9/2005

OTHER PUBLICATIONS

Fighter X Fashion, 2013, "Fight Dentist Shield Mouthguard Carry Case," <http://fighterxfashion.com/fight-dentist-shield-mouthguard-carry-case/>.
Glowhiter Teeth Whitening, 2018, "Mouldable Mouth Trays & Case," <https://glowhiter.com/products/mouldable-mouth-trays-case/>.

(Continued)

Primary Examiner — Mark A Goodwin
Assistant Examiner — Benjamin M Weeks

(57) **CLAIM**

The ornamental design for a case for an oral device, as shown and described.

DESCRIPTION

FIG. 1 is a front perspective view of a case for an oral device showing of the new design;
FIG. 2 is a rear perspective view thereof;
FIG. 3 is a front view thereof;
FIG. 4 is a rear view thereof;
FIG. 5 is a left side view thereof,
FIG. 6 is a right side view thereof;
FIG. 7 is a top view thereof; and
FIG. 8 is a bottom view thereof.

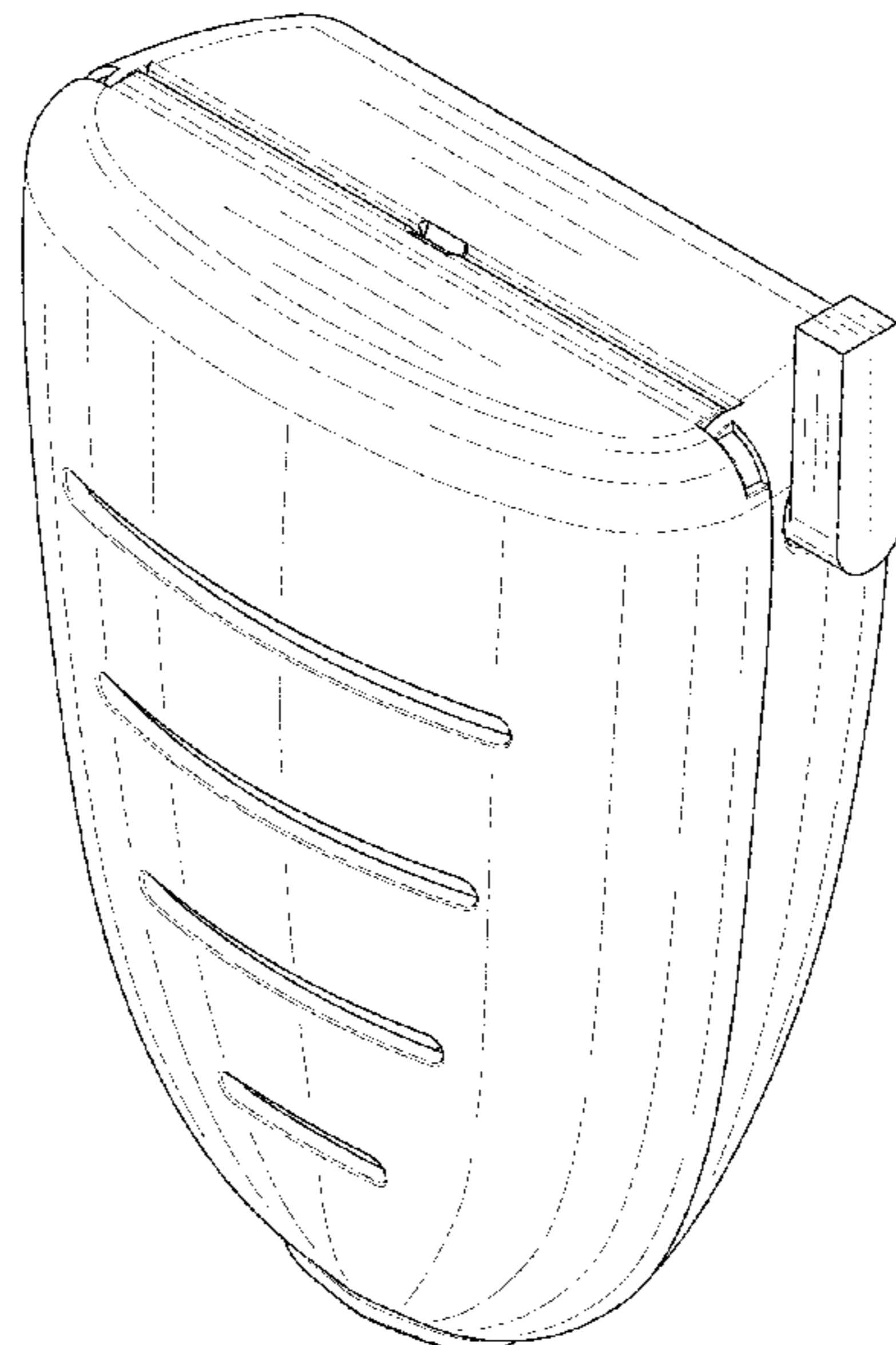
1 Claim, 8 Drawing Sheets

(**) Term: **15 Years**
(21) Appl. No.: **29/660,406**
(22) Filed: **Aug. 21, 2018**
(51) **LOC (12) Cl.** **03-01**
(52) **U.S. Cl.**
USPC **D3/203.1**
(58) **Field of Classification Search**
USPC D3/203.1, 203.3, 201, 203.6, 203.7, 216, D3/217, 267, 285, 287, 289, 301; D7/500, 509, 523, 507, 619.1
CPC A45F 5/00; A45F 5/021; A45F 5/02; A45F 2200/0516; A45F 2005/008; A45F 2005/006; A45F 2003/142
See application file for complete search history.

(56) **References Cited**

U.S. PATENT DOCUMENTS

D392,802 S 3/1998 Malmborg
D481,250 S * 10/2003 Hassett D3/301
D492,681 S 7/2004 Ahearn et al.
D534,423 S * 1/2007 Tanner D9/426
D550,077 S * 9/2007 Lagreca D9/428
D612,595 S * 3/2010 McCurdy D3/218
D614,048 S * 4/2010 Smith D3/203.1
D694,644 S 12/2013 Limback
D713,642 S * 9/2014 Krauss D3/301
D756,768 S 5/2016 Cunningham



(56)

References Cited

OTHER PUBLICATIONS

Ithaca Sports, 2003, "Battle Sports Mouthguard Case," https://www.ithacasports.com/battle-sports-mouthguard-case-9010.html?cmp=googleproducts&kw=battle-sports-mouthguard-case-9010&gclid=CjwKCAjwwdTbBRAIEiwAYQf_E3hZr1RjhmNI5wJHNZWxwjxTIRzGfum9VPhg99nEY-IDknb6t-58xoCXhAQAvD_BwE.

Just Her Sports, 2018, "Under Armour Mouth Guard Case," <https://www.justhersports.com/under-armour-mouth-guard-case.html>.

Piana, "Glo Brilliant Whitening Mouthpiece & Case," <https://www.piana.com/products/copy-of-glo-brilliant-teeth-whitening-device-refills> website accessed Aug. 16, 2018.

QVC, "Smileactives ProLite LED Teeth Whitening Device w/Pens," <https://www.qvc.com/Smileactives-ProLite-LED-Teeth-Whitening-Device-w-Pens.product.A294870.html> website accessed Aug. 16, 2018.

Sportstop.com, 2018, "Shock Doctor Anti-Microbial Lime Green Mouthguard Case," <https://www.sportstop.com/Shock-Doctor-Anti-Microbial-Lime-Green-Mouthguard-Case>.

United Fightwear, "Sisu Mouthguard Case," <https://www.united-fightwear.com/en/safety-equipment/mouthguard/sisu-mouthguard-case.html> website accessed Aug. 16, 2018.

* cited by examiner

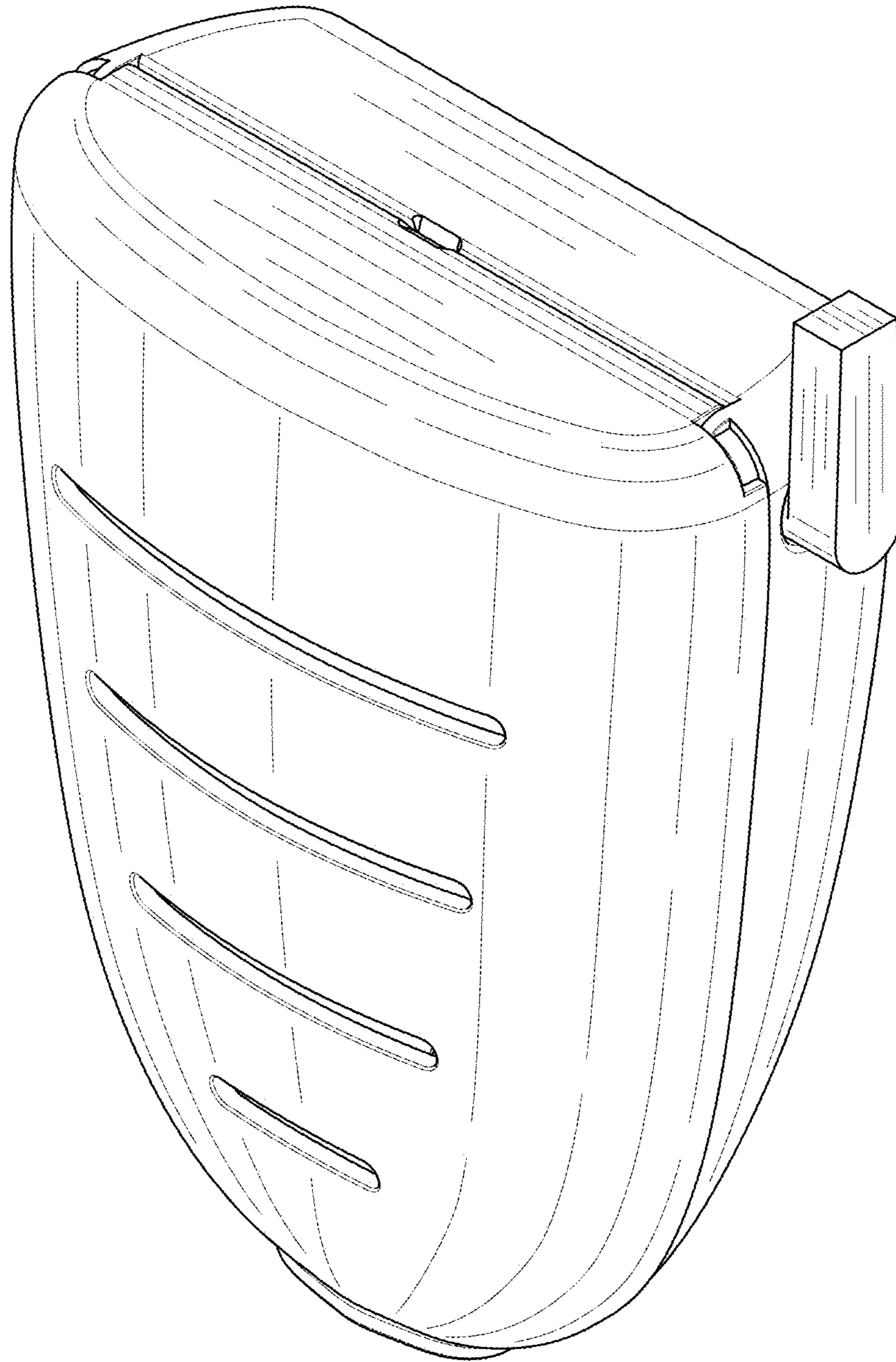


FIG. 1

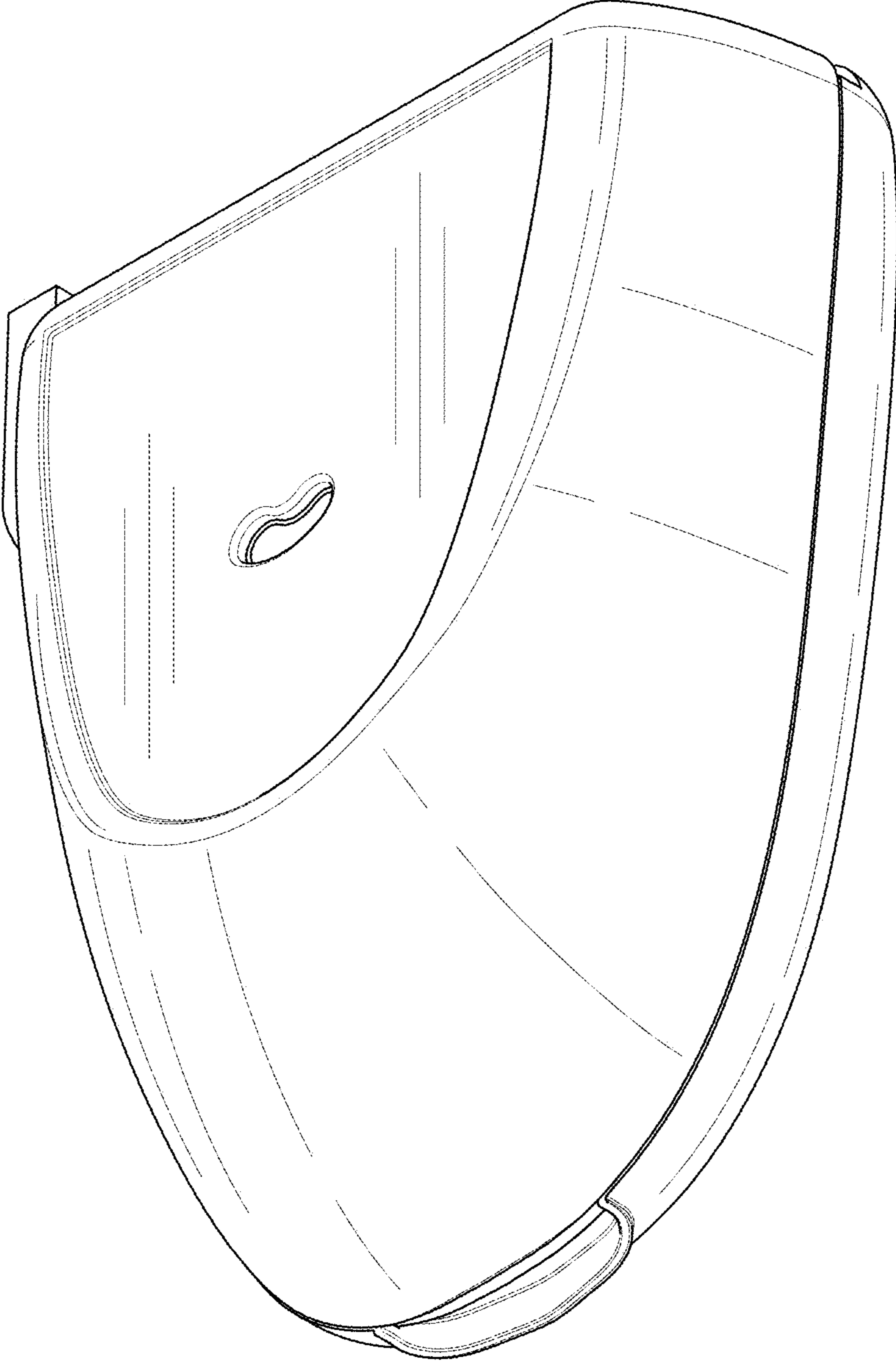


FIG. 2

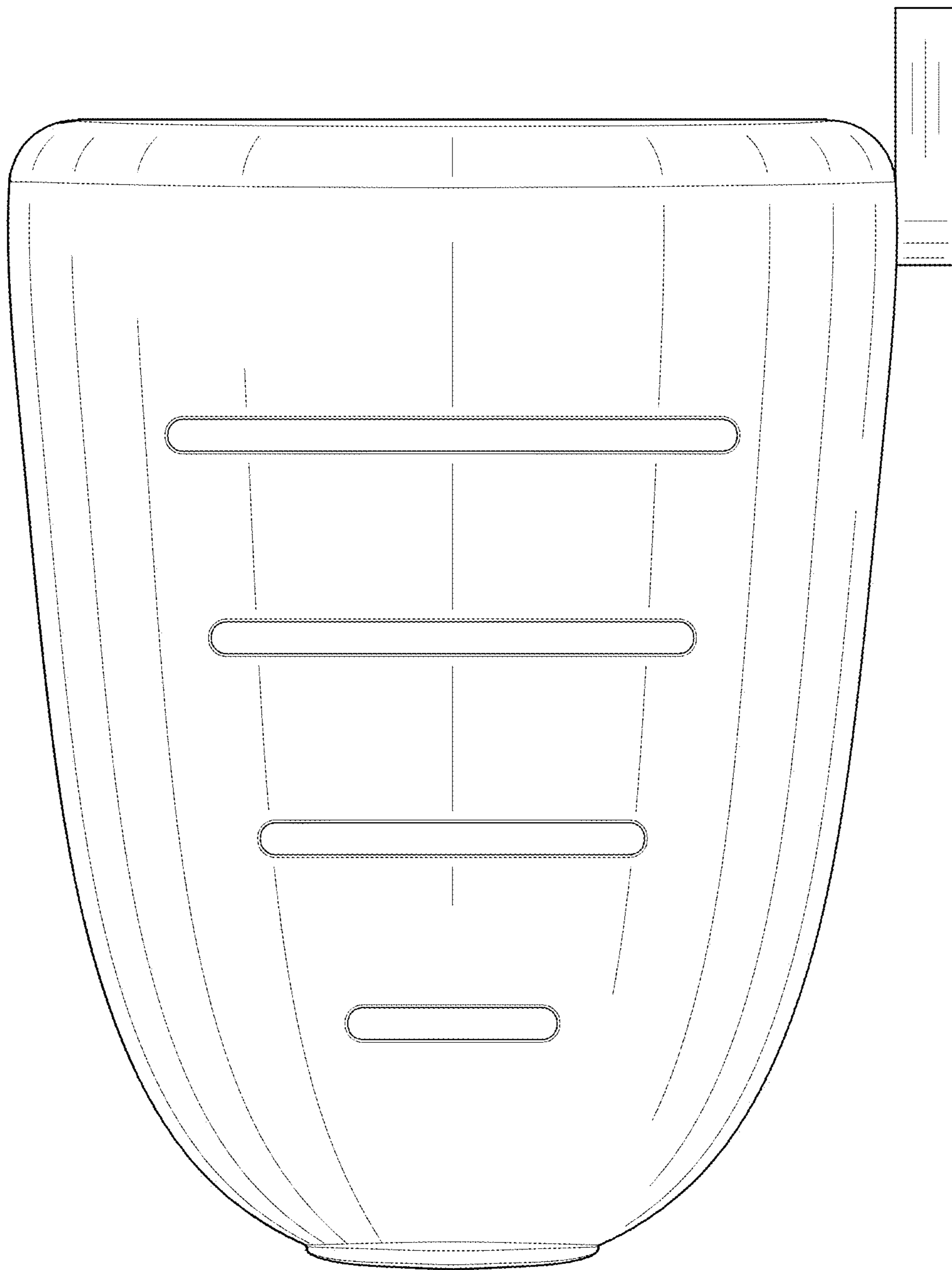


FIG. 3

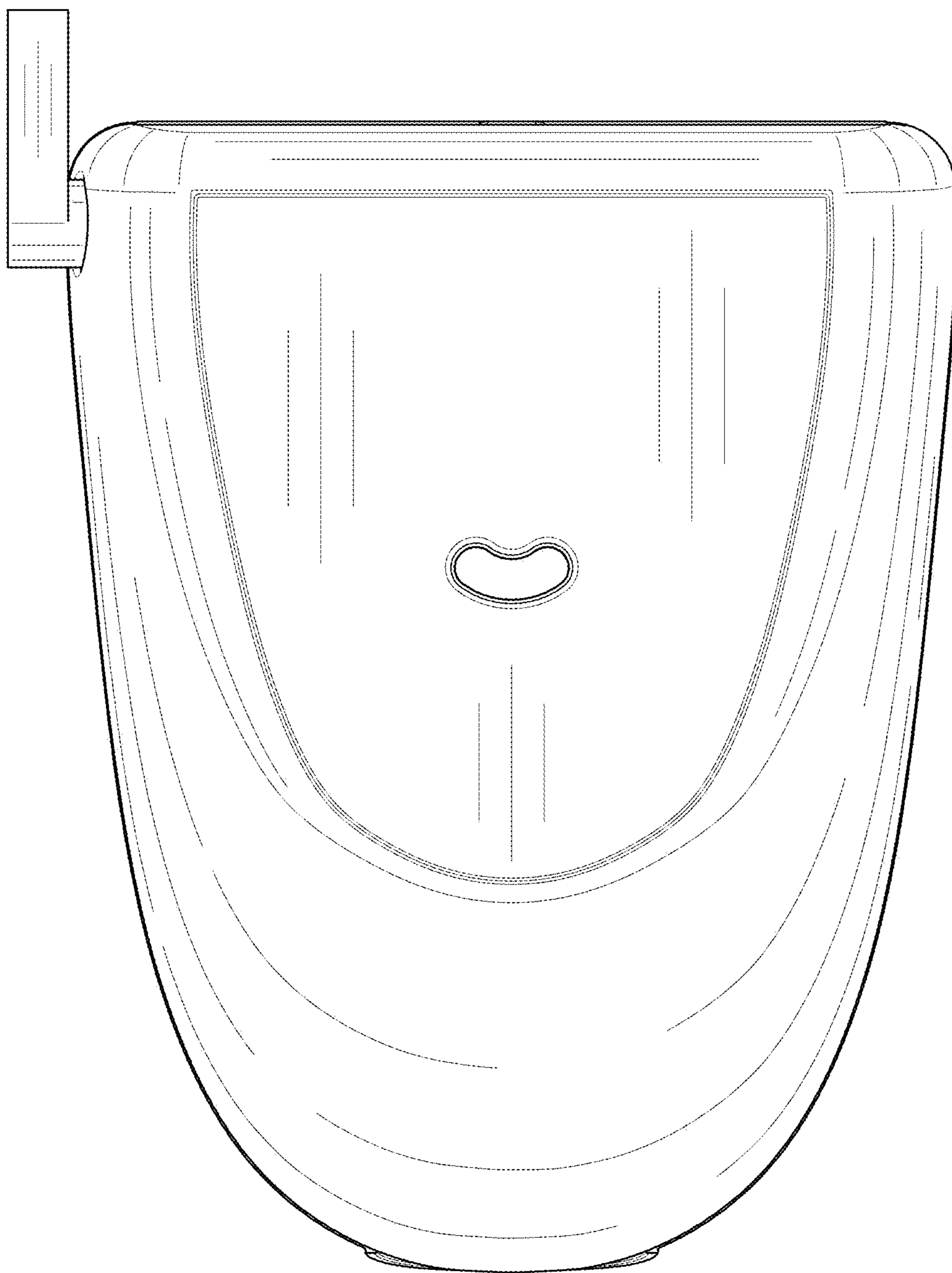


FIG. 4

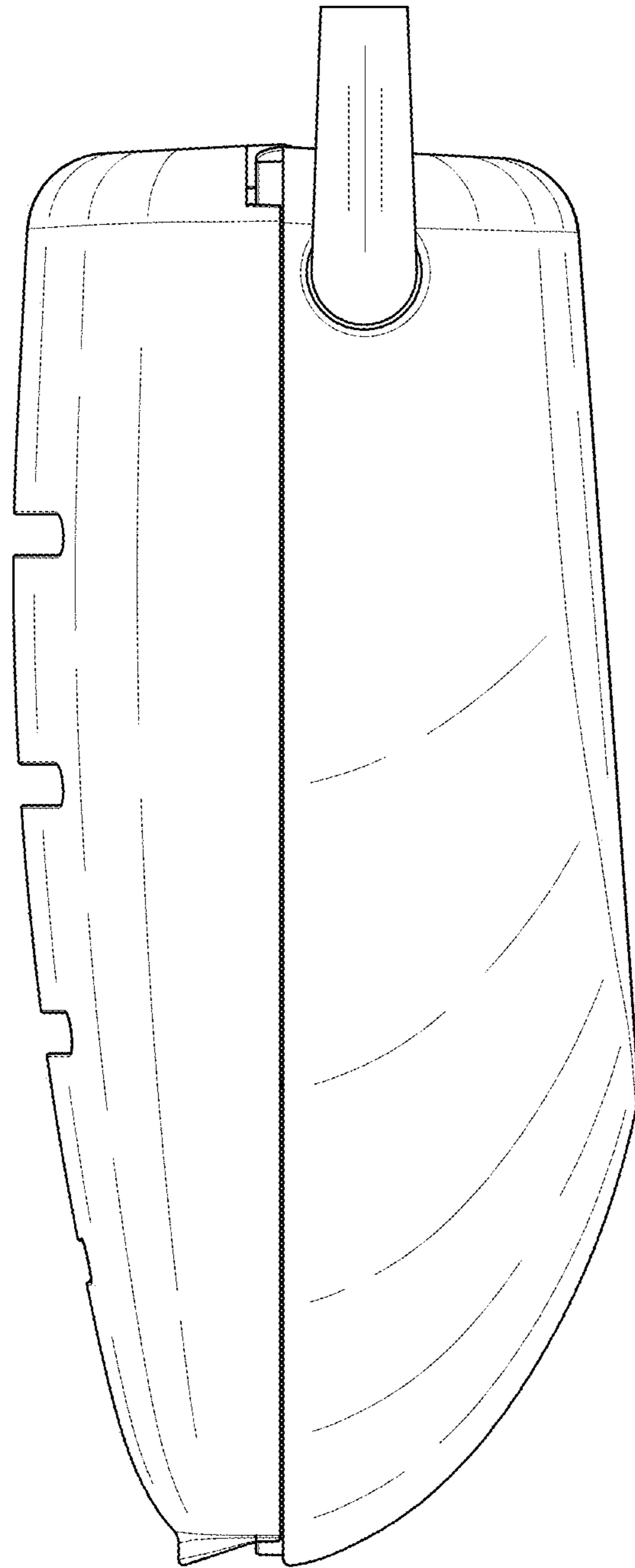


FIG. 5

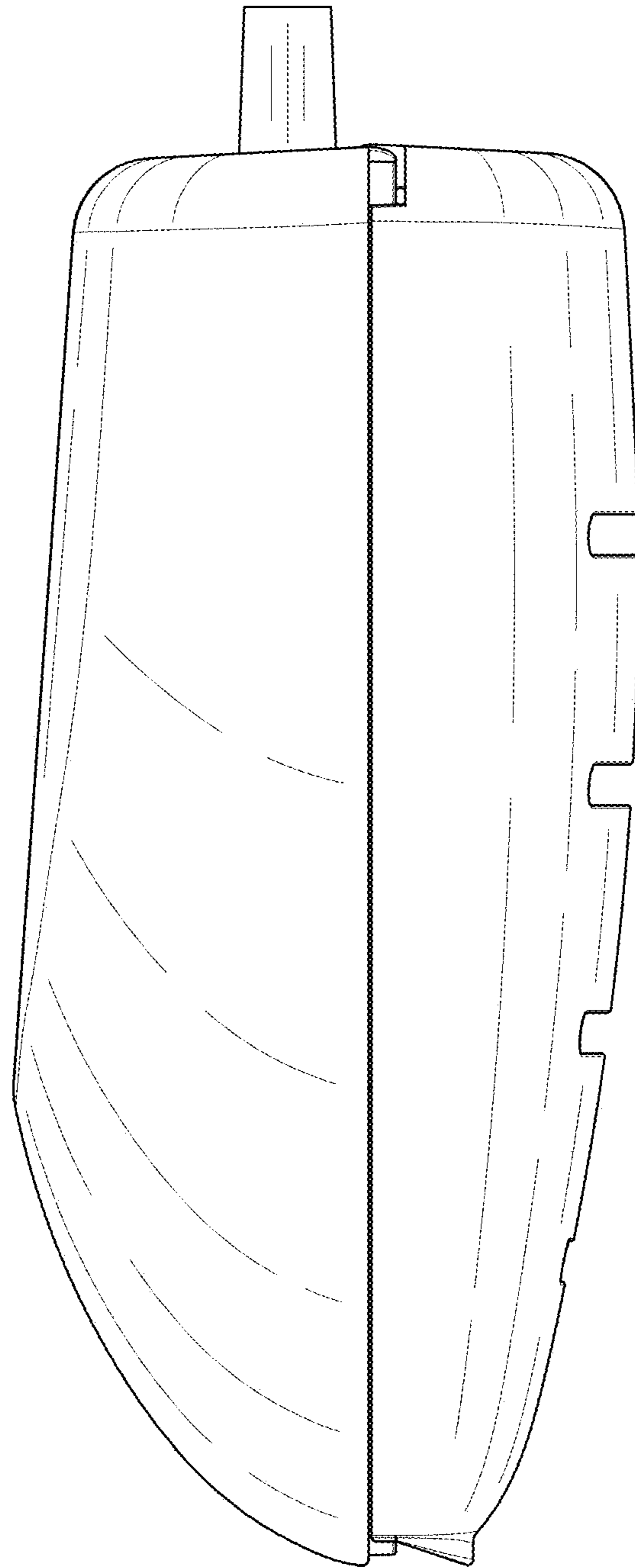


FIG. 6

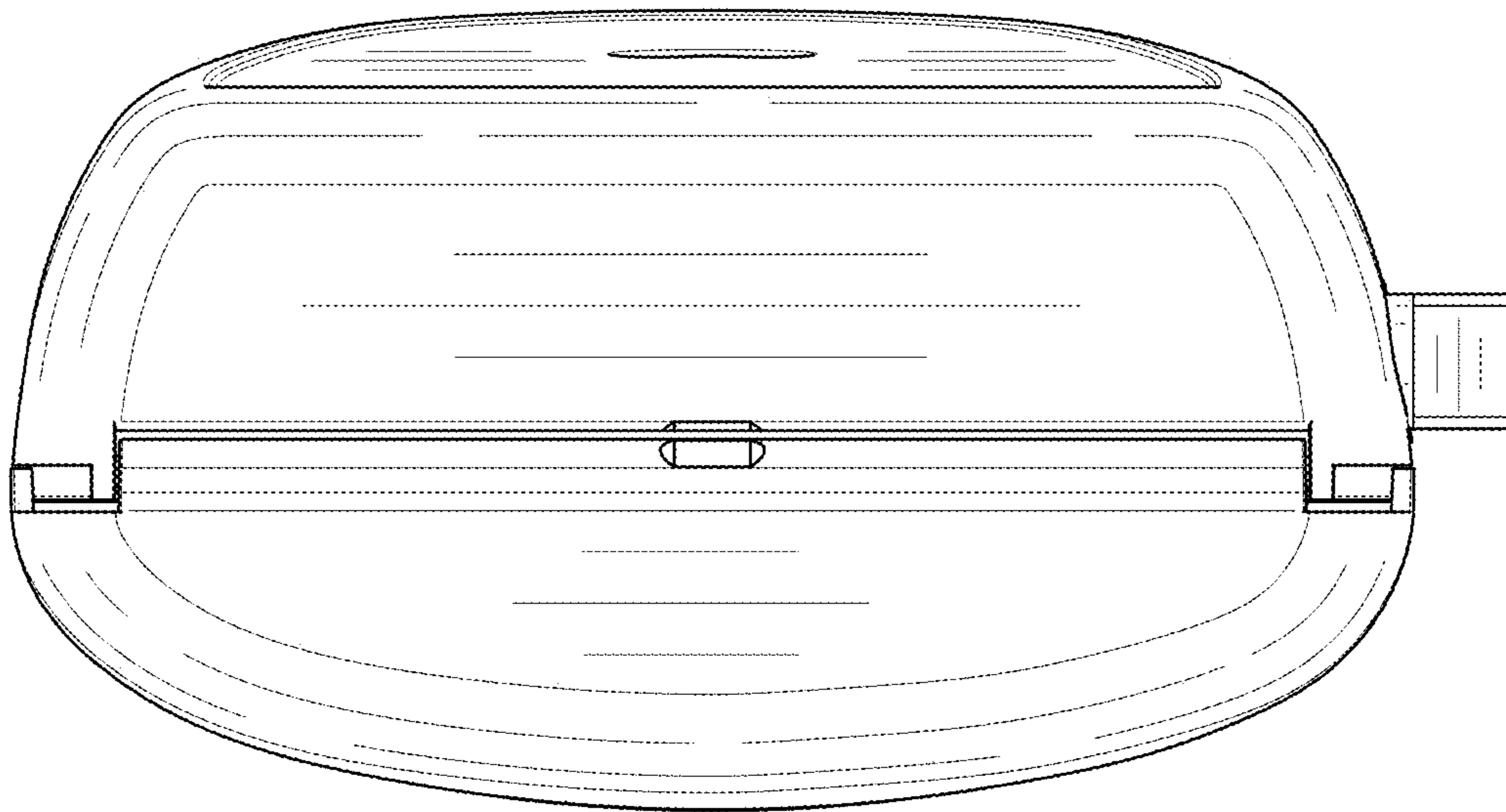


FIG. 7

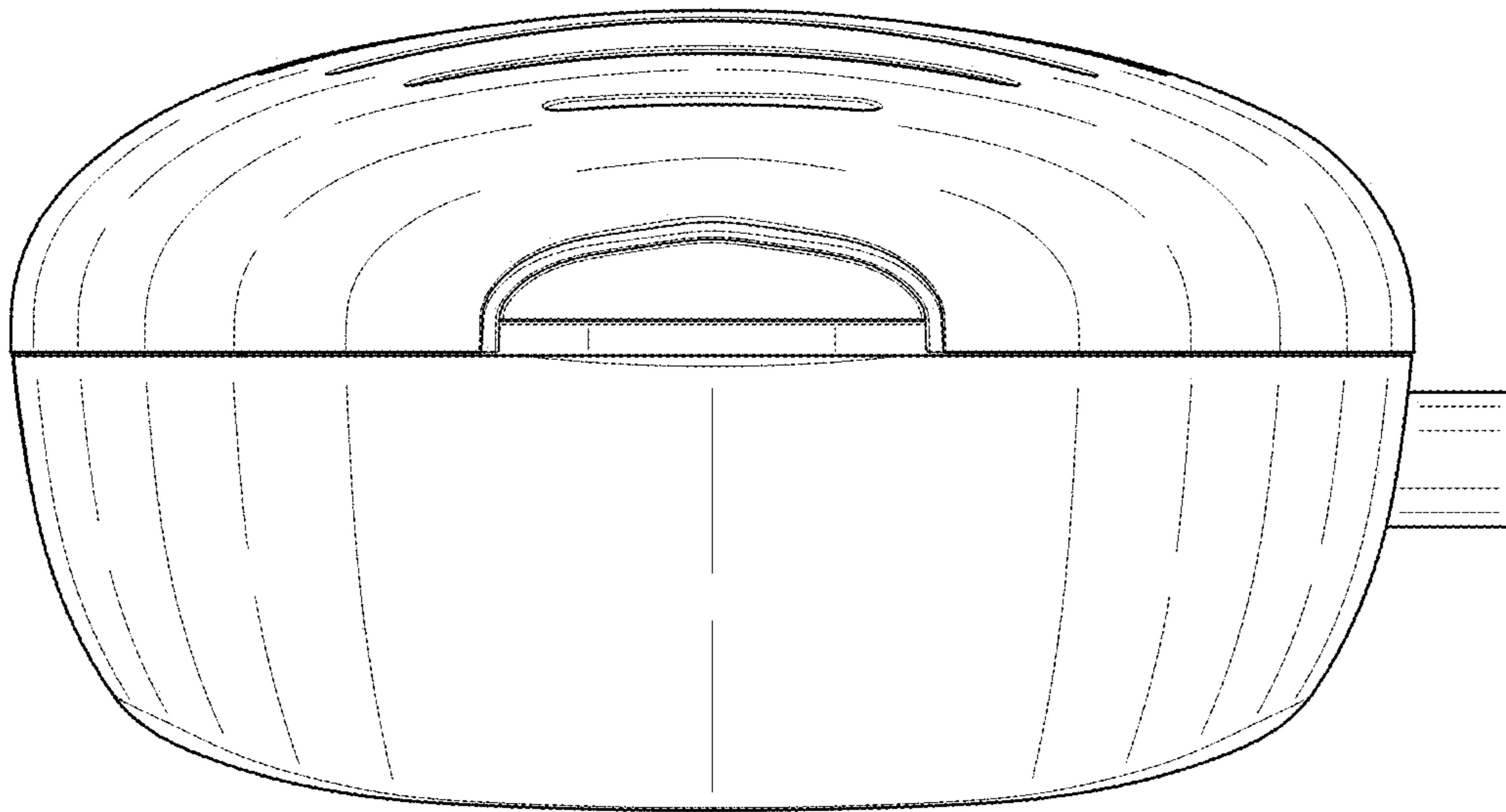


FIG. 8