



US00D902541S

(12) **United States Design Patent**  
**Popovic**

(10) **Patent No.:** **US D902,541 S**

(45) **Date of Patent:** **\*\* Nov. 24, 2020**

- (54) **SHOE**
- (71) Applicant: **NIKE, Inc.**, Beaverton, OR (US)
- (72) Inventor: **Jovan Popovic**, Portland, OR (US)
- (73) Assignee: **NIKE, Inc.**, Beaverton, OR (US)
- (\*\*) Term: **15 Years**
- (21) Appl. No.: **29/693,271**
- (22) Filed: **May 31, 2019**
- (51) **LOC (12) Cl.** ..... **02-04**
- (52) **U.S. Cl.**  
USPC ..... **D2/947**
- (58) **Field of Classification Search**  
USPC ..... D2/896, 902, 905, 907, 908, 946, 947,  
D2/949, 951, 959, 964, 968, 972  
CPC .... A43B 1/00; A43B 1/10; A43B 1/14; A43B  
3/00; A43B 5/00; A43B 5/001; A43B  
5/002; A43B 5/003; A43B 5/007; A43B  
5/008; A43B 5/02; A43B 5/06; A43B  
5/08; A43B 5/10; A43B 5/12; A43B 5/14;  
A43B 13/00; A43B 13/02; A43B 13/04;  
A43B 13/14; A43B 13/18; A43B 13/181;  
A43B 13/37; A43B 21/00; A43B 21/02;  
A43B 21/04; A43B 21/06; A43B 21/08;  
A43B 21/18; A43B 21/20; A43B 21/24;  
A43B 21/26; A43B 21/54  
See application file for complete search history.

- D310,442 S 9/1990 Hatfield
- D315,054 S 3/1991 Hatfield
- 5,060,401 A 10/1991 Whatley
- D321,584 S 11/1991 Mitsui
- D324,131 S 2/1992 Lucas
- (Continued)

**FOREIGN PATENT DOCUMENTS**

- CA 2014256 A1 10/1991
- CA 2802538 A1 12/2011
- (Continued)

**OTHER PUBLICATIONS**

“The Nike Air Max 270 Gets The “Have a Nike Day” Spirit”; Sneaker News; retrieved May 30, 2019; published Feb. 4, 2019; URL: <<https://sneakernews.com/2019/02/04/nike-air-max-270-have-a-nike-day-ci2309-001-release-info/>>.

(Continued)

*Primary Examiner* — Elizabeth J Oswecki  
(74) *Attorney, Agent, or Firm* — Banner & Witcoff, Ltd.

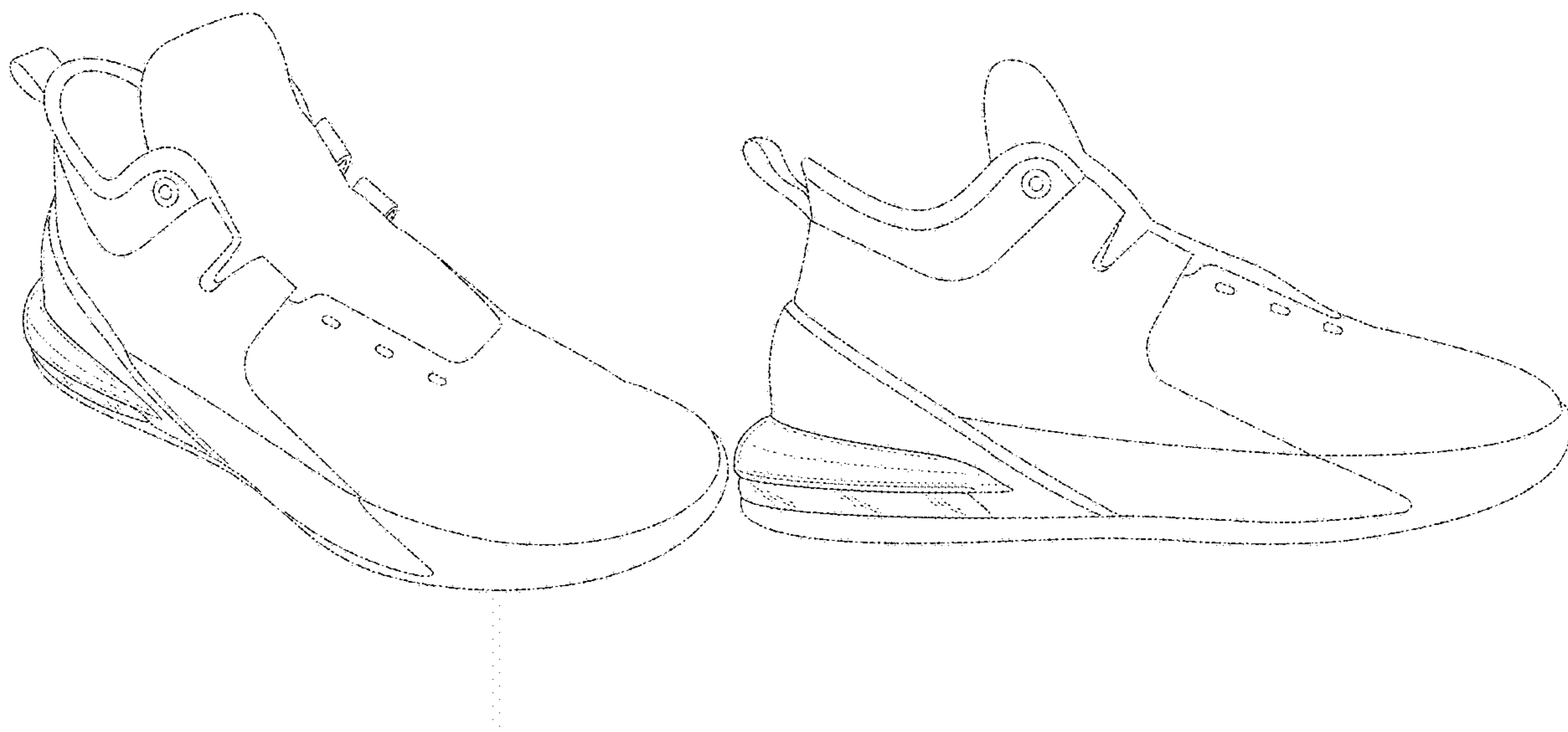
(57) **CLAIM**

The ornamental design for a shoe, as shown and described.

**DESCRIPTION**

FIG. 1 is a front perspective view of a shoe showing my new design;  
FIG. 2 is a side view thereof;  
FIG. 3 is a rear perspective view thereof; and,  
FIG. 4 is a rear view thereof.  
The broken lines immediately adjacent to the shaded areas define the bounds of the claimed design and form no part thereof. The oblique shade lines on the bottom-most claimed area represent a translucent or transparent appearance. The broken lines depicting the remainder of the shoe show features that form no part of the claimed design.

**1 Claim, 4 Drawing Sheets**



(56)

References Cited

U.S. PATENT DOCUMENTS

D324,294 S	3/1992	Hatfield	D522,722 S	6/2006	Wilkenfeld et al.
D324,762 S	3/1992	Hatfield	7,162,815 B2	1/2007	Miyauchi et al.
D325,289 S	4/1992	Aveni	D559,509 S	1/2008	Hayes
D325,464 S	4/1992	Smith	D563,653 S	3/2008	Schoenborn et al.
D325,667 S	4/1992	Smith, III	D566,942 S	4/2008	Juan
D326,952 S	6/1992	Smith, III	D566,960 S	4/2008	Rivas et al.
D329,938 S	10/1992	Lucas	D572,455 S	7/2008	Lubrano
D330,110 S	10/1992	Worthington	D572,462 S	7/2008	Hatfield et al.
D330,111 S	10/1992	Hatfield et al.	D576,394 S	9/2008	Heller
D330,625 S	11/1992	Lucas	D577,478 S	9/2008	Peveto et al.
D330,797 S	11/1992	Lucas	7,421,806 B2	9/2008	Braynock et al.
D330,970 S	11/1992	Hatfield et al.	D577,892 S	10/2008	St-Louis et al.
D331,143 S	11/1992	McDonald	D577,893 S	10/2008	St-Louis et al.
D332,861 S	2/1993	Worthington	D580,134 S	11/2008	Belley et al.
D333,034 S	2/1993	McDonald	D593,308 S	6/2009	St-Louis et al.
D333,378 S	2/1993	Close	D594,202 S	6/2009	Sorofman
D333,551 S	3/1993	Bailey	7,549,236 B2	6/2009	Dillon et al.
D333,720 S	3/1993	Hatfield	D599,102 S	9/2009	Purdom et al.
D334,280 S	3/1993	Teague	7,644,518 B2	1/2010	Chandler et al.
D334,650 S	4/1993	Teague	7,730,640 B2	6/2010	Clark et al.
D335,952 S	6/1993	Forland et al.	7,797,856 B2	9/2010	Andrews et al.
D336,771 S	6/1993	Hatfield et al.	D625,097 S	10/2010	Portzline
D338,995 S	9/1993	Snell	D626,316 S	11/2010	Akhidime
D341,478 S	11/1993	Forland et al.	D629,598 S	12/2010	Portzline et al.
D343,044 S	1/1994	Kilgore et al.	D634,918 S	3/2011	Katz et al.
D343,045 S	1/1994	Bailey	D635,748 S	4/2011	Katz et al.
D343,046 S	1/1994	Feller et al.	D636,567 S	4/2011	Raysse
D343,722 S	2/1994	Lucas	D636,568 S	4/2011	McMillan
D344,848 S	3/1994	Smith	D636,570 S	4/2011	Merritt et al.
D346,486 S	5/1994	Morris et al.	D638,615 S	5/2011	McMillan
D347,106 S	5/1994	Sell, Jr. et al.	7,980,006 B2	7/2011	Aveni et al.
D347,318 S	5/1994	Avar	D650,980 S	12/2011	Raysse
D349,808 S	8/1994	Passke et al.	D655,483 S	3/2012	Portzline
D350,016 S *	8/1994	Passke ..... D2/946	D661,878 S	6/2012	Grenet
D350,023 S	8/1994	Hatfield et al.	D661,879 S	6/2012	Raysse
D350,433 S	9/1994	Kilgore	8,241,450 B2	8/2012	Hensley et al.
5,353,526 A	10/1994	Foley et al.	8,327,560 B2	12/2012	Berend
D356,884 S	4/1995	Ho	D674,996 S	1/2013	Sallee
D357,575 S	4/1995	Dahlsten	D679,485 S	4/2013	Raysse
D358,702 S	5/1995	Edwards	D680,712 S	4/2013	Della Valle et al.
5,425,184 A	6/1995	Lyden et al.	D680,713 S	4/2013	Della Valle et al.
D363,372 S *	10/1995	Hatfield ..... D2/977	D681,314 S	5/2013	Dumain
D366,756 S	2/1996	Forland et al.	D686,805 S	7/2013	Day, Jr.
D377,411 S	1/1997	Murray	8,584,377 B2	11/2013	Blevens et al.
D378,550 S	3/1997	Morris	8,640,361 B2	2/2014	Testa et al.
D379,865 S	6/1997	Hewett	D702,025 S	4/2014	Della Valle et al.
D381,796 S	8/1997	Kittle et al.	D708,828 S	7/2014	Avar et al.
D383,300 S	9/1997	Teague	D713,133 S	9/2014	Della Valle et al.
D386,291 S	11/1997	Napurano, Jr.	D716,535 S	11/2014	Seo
D395,337 S *	6/1998	Greene ..... D2/947	D722,749 S	2/2015	Svensson et al.
D401,043 S	11/1998	Truelsen	8,997,380 B2	4/2015	Dombrow et al.
D404,896 S	2/1999	Cooper	D765,360 S	9/2016	Petrie
D407,540 S	4/1999	Dolinsky	D765,363 S	9/2016	Petrie
D408,618 S	4/1999	Wilborn et al.	D772,547 S	11/2016	Raysse
D410,691 S	6/1999	Boyer	D777,410 S	1/2017	Takahashi et al.
D413,013 S	8/1999	Koh	D778,551 S	2/2017	Pauk
D418,282 S	1/2000	von Conta et al.	D778,553 S	2/2017	DeAlmeida
D439,399 S	3/2001	Matis et al.	D783,246 S	4/2017	Chang
D441,175 S	5/2001	Ritter et al.	D783,960 S	4/2017	Hatfield
D458,013 S	6/2002	Matis	D783,991 S	4/2017	Chang
D458,014 S	6/2002	Matis	9,629,414 B2	4/2017	Elder et al.
D458,442 S	6/2002	Matis	D789,044 S	6/2017	Taestensen
D458,443 S	6/2002	Matis	D789,047 S	6/2017	Bruder et al.
D459,575 S	7/2002	Garcia	D789,051 S	6/2017	Kuerbis
D466,276 S	12/2002	Tomczak	D789,052 S	6/2017	Hardman
D474,879 S	5/2003	Nason	D789,054 S	6/2017	Shyllon
6,662,474 B2	12/2003	Tomat	D789,504 S	6/2017	Won
D489,525 S	5/2004	Snow et al.	D790,173 S	6/2017	Raasch
D503,267 S	3/2005	Matis et al.	9,687,042 B2	6/2017	Berend et al.
D503,523 S	4/2005	Matis et al.	D794,287 S	8/2017	Raasch
D506,597 S	6/2005	Matis et al.	D795,539 S	8/2017	Mason et al.
D511,617 S	11/2005	Matis	D796,800 S	9/2017	Chang
D511,886 S	11/2005	Galway	D796,802 S	9/2017	Kinley
D515,305 S	2/2006	Andrews-Kramer	D798,555 S	10/2017	Enayah
D520,726 S	5/2006	Duclos	D799,179 S	10/2017	Comeaux
			D799,180 S	10/2017	Sokol
			D799,182 S	10/2017	Matthews
			D799,798 S	10/2017	Knoll
			D799,799 S	10/2017	Knoll

(56)

References Cited

U.S. PATENT DOCUMENTS

D802,266 S 11/2017 Hardman  
 D803,531 S 11/2017 Petrie  
 D805,753 S 12/2017 Enayah  
 D807,631 S 1/2018 Sullivan  
 D807,632 S 1/2018 Sullivan  
 D808,629 S 1/2018 Parrett et al.  
 D809,769 S 2/2018 Hong  
 D810,407 S 2/2018 DeAlmeida  
 D810,408 S 2/2018 Hernandez  
 D813,506 S 3/2018 O'Connor  
 D817,611 S \* 5/2018 Small ..... D2/947  
 D817,612 S \* 5/2018 Small ..... D2/947  
 D817,628 S 5/2018 Hatfield  
 D819,311 S 6/2018 Jury et al.  
 D819,323 S 6/2018 Hobson  
 D822,349 S \* 7/2018 Petrenka ..... D2/947  
 D822,965 S 7/2018 DeAlmeida  
 D823,581 S 7/2018 Umehara et al.  
 D825,902 S 8/2018 Tokumoto  
 D826,526 S 8/2018 Small  
 D827,279 S 9/2018 Taylor et al.  
 D829,423 S 10/2018 Robusti  
 D835,389 S 12/2018 Durflinger  
 D838,463 S 1/2019 Durflinger  
 D840,135 S 2/2019 Dombrow  
 D841,297 S \* 2/2019 Small ..... D2/947  
 D841,298 S \* 2/2019 Small ..... D2/947  
 D841,306 S 2/2019 Small  
 D841,954 S 3/2019 Petrenka  
 D843,098 S 3/2019 Natowich McPhee et al.  
 D846,840 S 4/2019 Howe  
 D846,841 S 4/2019 Howe  
 D846,858 S 4/2019 Bacon et al.  
 D851,877 S 6/2019 Small  
 D851,878 S 6/2019 Pauk  
 D853,701 S 7/2019 Hong  
 D853,702 S 7/2019 Mokos et al.  
 D858,962 S \* 9/2019 Small ..... D2/947  
 D860,598 S \* 9/2019 Small ..... D2/947  
 D860,599 S \* 9/2019 Small ..... D2/947  
 D860,600 S \* 9/2019 Small ..... D2/947  
 D860,601 S \* 9/2019 Small ..... D2/947  
 D860,602 S \* 9/2019 Small ..... D2/947  
 D860,603 S \* 9/2019 Small ..... D2/947  
 D860,604 S \* 9/2019 Small ..... D2/947  
 D860,605 S \* 9/2019 Small ..... D2/947  
 D860,606 S \* 9/2019 Small ..... D2/947  
 D860,607 S \* 9/2019 Small ..... D2/947  
 D860,608 S \* 9/2019 Small ..... D2/947  
 D869,131 S \* 12/2019 Raasch ..... D2/947  
 D871,034 S \* 12/2019 Amago ..... D2/947  
 D877,469 S \* 3/2020 Mateo ..... D2/947  
 D879,425 S \* 3/2020 Raasch ..... D2/947  
 D883,625 S \* 5/2020 Kosenick ..... D2/947  
 D888,386 S \* 6/2020 Pauk ..... D2/947  
 D888,402 S \* 6/2020 Pauk ..... D2/972  
 D891,742 S \* 8/2020 Seamarks ..... D2/947  
 D891,744 S \* 8/2020 Han ..... D2/947  
 D892,479 S \* 8/2020 Han ..... D2/947  
 2002/0129516 A1 9/2002 Lucas et al.  
 2004/0148803 A1 8/2004 Grove et al.  
 2005/0138846 A1 6/2005 O'Connor  
 2010/0122471 A1 5/2010 Edington et al.  
 2010/0251565 A1 10/2010 Litchfield et al.  
 2011/0131831 A1 \* 6/2011 Peyton ..... A43B 13/18  
 36/29  
 2011/0271552 A1 \* 11/2011 Peyton ..... A43B 13/20  
 36/29  
 2012/0131819 A1 5/2012 Loverin  
 2012/0167413 A1 7/2012 Marvin et al.  
 2013/0118035 A1 5/2013 Segato et al.  
 2013/0152428 A1 6/2013 Bishop et al.  
 2014/0150298 A1 6/2014 Crowley et al.  
 2014/0230276 A1 8/2014 Campos, II et al.  
 2014/0259784 A1 9/2014 Jenkins et al.

2016/0192737 A1 7/2016 Campos, II et al.  
 2016/0366976 A1 12/2016 Cross  
 2016/0374428 A1 12/2016 Kormann et al.  
 2017/0042286 A1 \* 2/2017 Meschter ..... A43B 13/04  
 2017/0150778 A1 6/2017 Youngs et al.  
 2017/0273404 A1 9/2017 Doenges et al.  
 2017/0347747 A1 12/2017 Groeneweg et al.

FOREIGN PATENT DOCUMENTS

EP 0096542 A1 12/1983  
 EP 1880626 B1 10/2011

OTHER PUBLICATIONS

Nike Air Max 93 “Blue Graphite” Available now [online], [retrieved Jun. 13, 2019], Retrieved from Internet <URL: <<http://sneakerbardetroit.com/nike-air-max-93-blue-graphite-available-now/>>>; 4 color sheets, Dated Feb. 5, 2015.  
 The Legend of Future Past the Air Max 95 OG [online], [retrieved Jun. 13, 2019], Retrieved from Internet <URL: <http://news.nike.com/news/the-legend-of-future-past-the-air-max-95-og/>>; 8 color sheets, Dated Jul. 23, 2015.  
 Closer Look At the Nike Air Max 97 in Navy and Royal [online], [retrieved Jun. 13, 2019], Retrieved from Sneakernews.com [Internet] <URL: <https://sneakernews.com/2017/07/07/nike-air-max-97-navy-royal-retro-colorways-coming-soon/>>; Dated Jul. 7, 2017.  
 Nike Air Max 360 // Throwback Thursday [online], [retrieved Jun. 13, 2019], Retrieved from Internet <<https://www.nicekicks.com/nike-air-max-360-throwback-thursday/>>; Dated Feb. 28, 2019.  
 Nike Air Max 2014 | First Look [online], [retrieved Jun. 13, 2019], Retrieved from Internet <URL: <http://www.nikeblog.com/2013/05/09/nike-air-max-2014-first-look/>>>; 4 color sheets, Dated May 9, 2013.  
 Nike Air Vapormax Reveals the Pinnacle of Air [online], [retrieved Jun. 13, 2019], retrieved from internet <URL: <<http://news.nike.com/news/air-max-vapor/>>>; 3 color sheets, Dated Feb. 20, 2017.  
 The Nike Air Max 270 Is More Than Just Hot Air, GQ.com, by Tyler Watamanuk, Oct. 31, 2017, [online], [site visited Jun. 13, 2019]. <URL: <https://www.gq.com/story/nike-air-max-270-announced>> (Year: 2017).  
 Nike Air Max 270, Nike.com, [online], [site visited Jun. 13, 2019]. <URL: <https://www.nike.com/t/air-max-270-mens-shoe-DNTBj14e/AH8050-002>> (Year: 2018).  
 Nike Air Max 270 Review, YouTube.com, Seth Fowler, Published on Feb. 5, 2018, [online], [site visited Jun. 13, 2019]. <URL: <https://www.youtube.com/watch?v=8-AkYj7cp14>> (Year: 2018).  
 Nike Air Force 270 Utility, Nike.com, [online], [site visited Jun. 13, 2019]. <URL: <https://www.nike.com/t/air-force-270-utility-mens-shoe-JNM5hJ>> (Year: 2018).  
 Nike Air Max 270, Nike.com, [online], [site visited Jun. 13, 2019]. <URL: <https://www.nike.com/t/air-max-270-mens-shoe-6mG33D>> (Year: 2018).  
 Nike Air Max 270 Futura, Nike.com, [online], [site visited Jun. 13, 2019]. <URL: <https://www.nike.com/t/air-max-270-futura-mens-shoe-KxqGHg>> (Year: 2018).  
 Air Jordan 3 Retro OG, Nike.com, [online], [site visited Jun. 13, 2019]. <URL: <https://www.nike.com/t/air-jordan-3-retro-og-mens-shoe-VbxR2D>> (Year 2018).  
 PG 2 “Palmdale”, Nike.com, [online], [site visited Jun. 13, 2019]. <URL: <https://www.nike.com/t/pg-2-palmdale-mens-basketball-shoe-wXw2n/AO1750-300>> (Year: 2018).  
 LeBron Soldier XI, Nike.com, [online], [site visited Jun. 13, 2019]. <URL: <https://www.nike.com/t/lebron-soldier-xi-basketball-shoe-gXTOxmg8/897644-010>> (Year: 2018).  
 Jordan Spizike, Nike.com, [online], [site visited Jun. 13, 2019]. <URL: <https://www.nike.com/t/jordan-spizike-mens-shoe-ERTBikNW/315371-034>> (Year: 2018).  
 Nike Free Hypervenom Mid with Speckled Midsole, SneakerFiles.com, by Brian Betschart—Jan. 13, 2015, [online], [site visited Jun. 13, 2019]. <URL: <https://www.sneakerfiles.com/nike-free-hypervenom-mid-speckled-midsole/>> (Year: 2015).

(56)

**References Cited**

OTHER PUBLICATIONS

Nike Air Zoom Pegasus 33 Review, SoleReview.com, Oct. 10, 2016, [online], [site visited Jun. 13, 2019]. <URL: <https://www.solereview.com/nike-air-zoom-pegasus-33-review/>> (Year: 2016).

Introducing the Nike Zoom Vaporfly Elite Featuring Nike ZoomX Midsole, News.Nike.com, Mar. 7, 2017, [online][site visited Jun. 13, 2019]. <URL: <https://news.nike.com/news/nike-zoom-vaporfly-elite>> (Year: 2017).

Sneaker Talk: Let's Talk—Air Jordan 5 Retro “Sport Royal”, SneakerBarDetroit.com, Sep. 29, 2013, [online], [site visited Jun. 13, 2019] <URL: <https://sneakerbardetroit.com/air-jordan-5-retro-sport-royal/>> (Year 2013).

\* cited by examiner

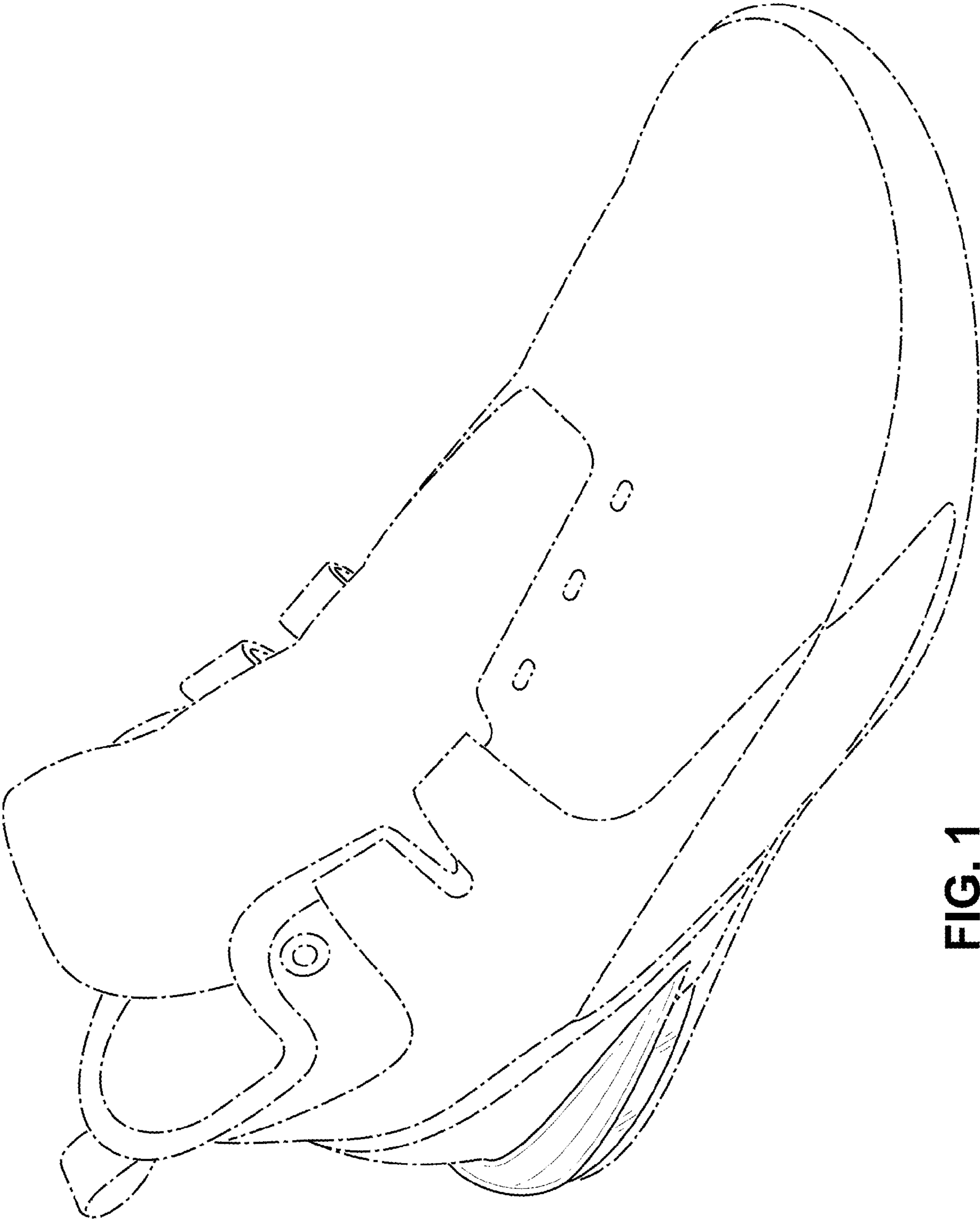


FIG. 1

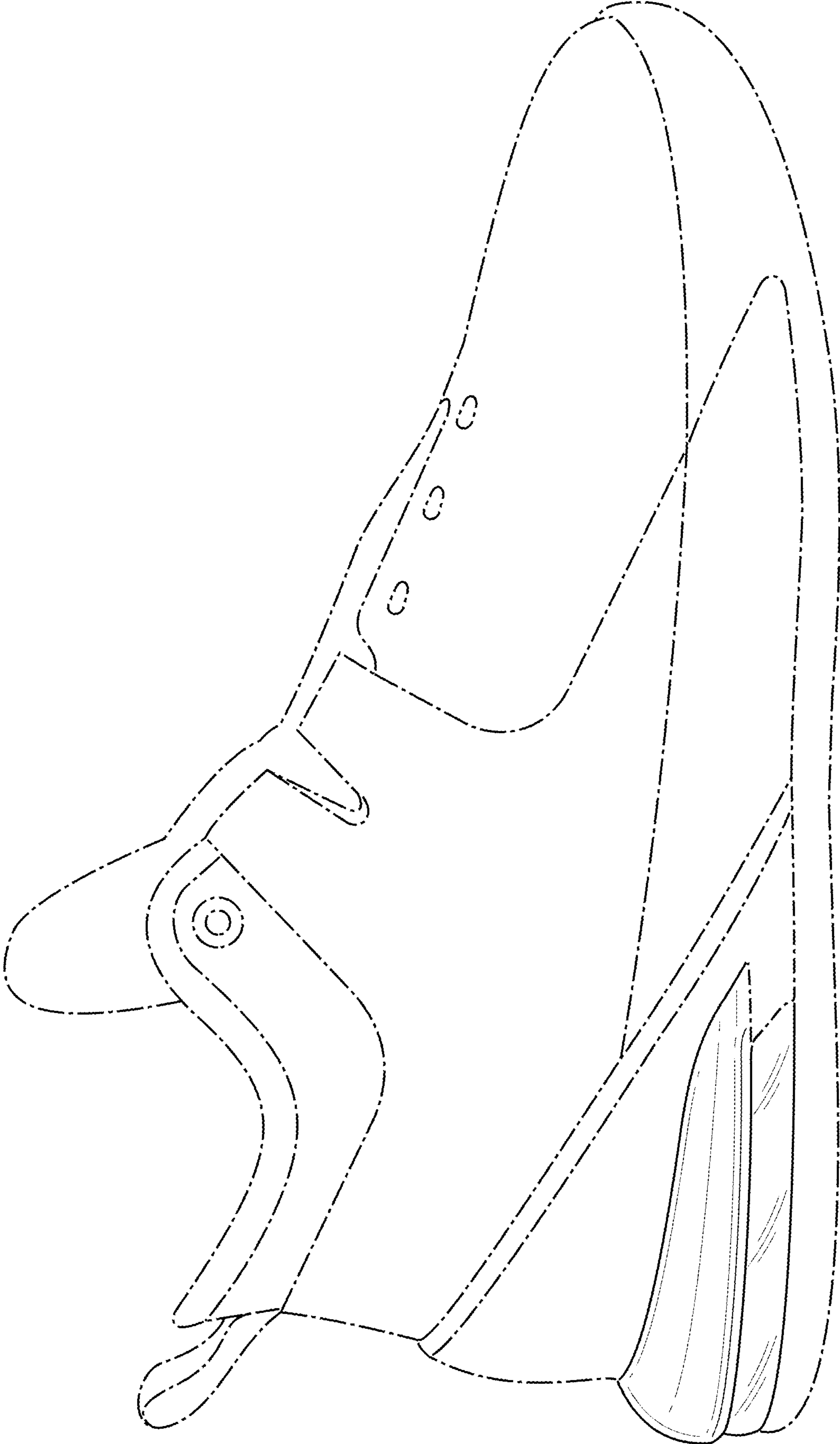


FIG. 2

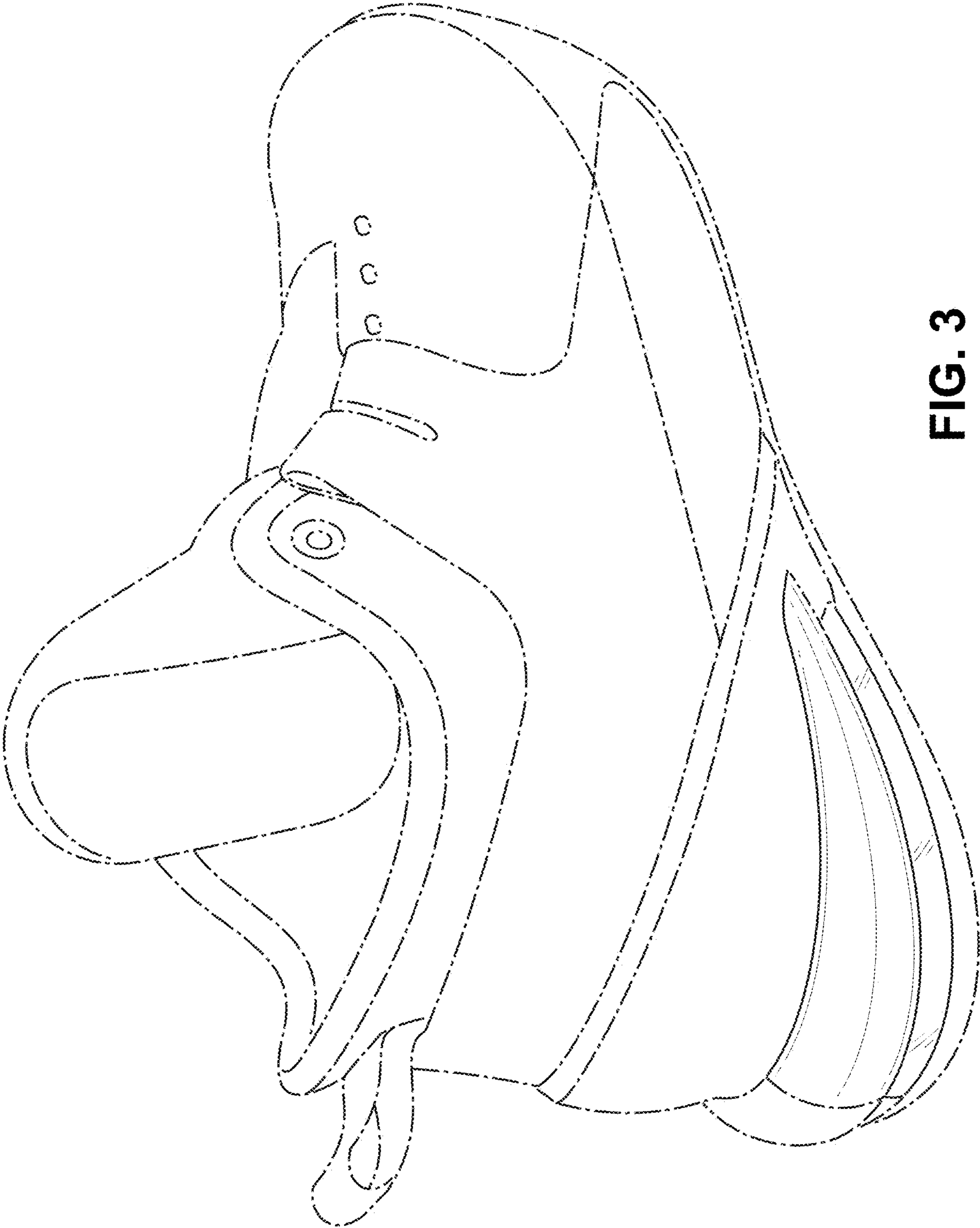
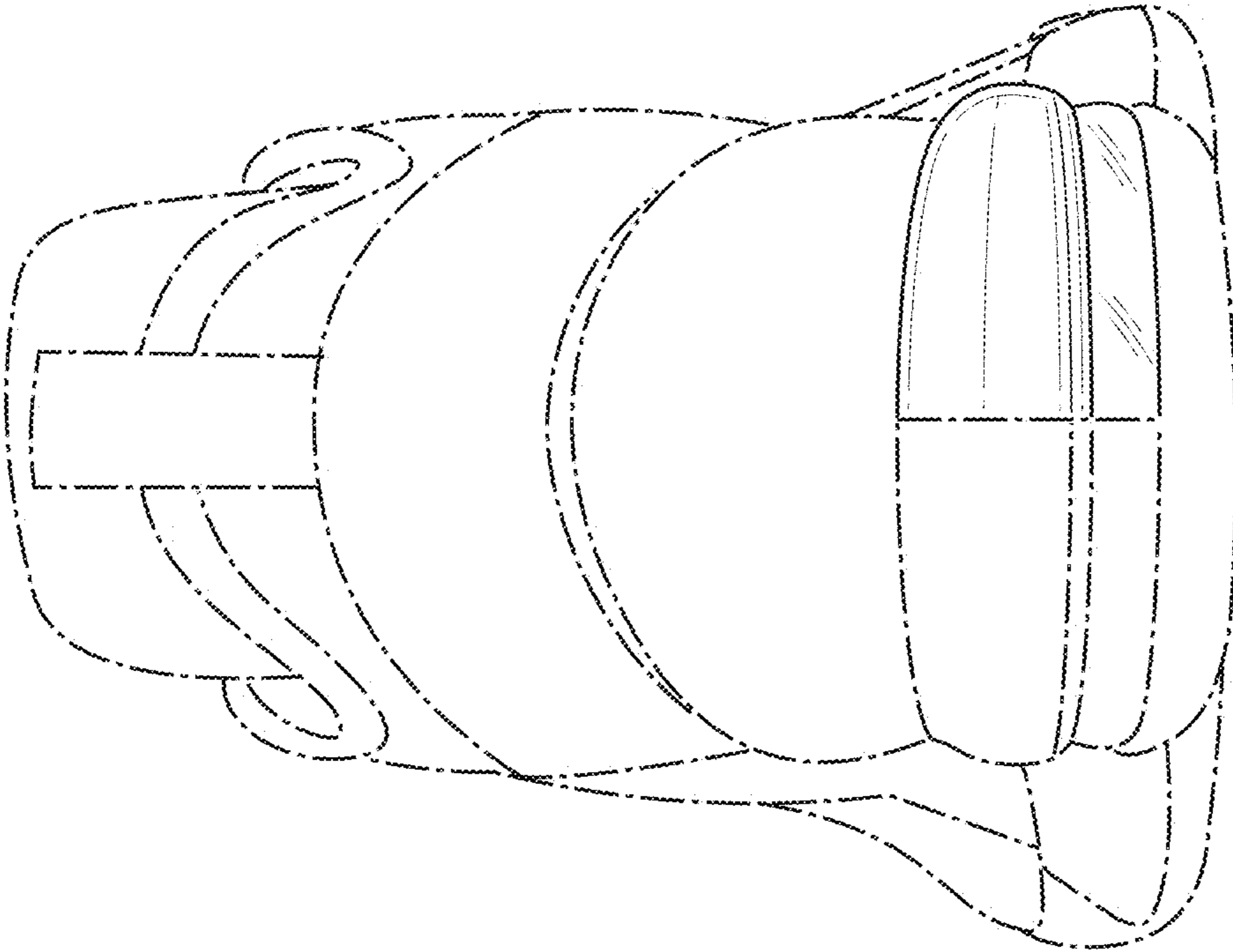


FIG. 3



**FIG. 4**