



US00D902533S

(12) **United States Design Patent**
Glaser

(10) **Patent No.:** **US D902,533 S**

(45) **Date of Patent:** **** Nov. 24, 2020**

- (54) **BABY SHIRT WITH A DETACHABLE BIB**
- (71) Applicant: **Rainbox LLC**, New Rochelle, NY (US)
- (72) Inventor: **Judith Glaser**, New Rochelle, NY (US)
- (73) Assignee: **Rainbox LLC**, New Rochelle, NY (US)
- (**) Term: **15 Years**
- (21) Appl. No.: **29/697,552**
- (22) Filed: **Jul. 9, 2019**
- (51) **LOC (12) Cl.** **02-02**
- (52) **U.S. Cl.**
USPC **D2/840**
- (58) **Field of Classification Search**
USPC D2/717, 745, 840, 861, 863, 864
CPC A41B 13/10; A41B 2300/324; A41B
2400/70
See application file for complete search history.

- 7,810,172 B2 * 10/2010 Williams A41D 13/1272
2/114
- D698,127 S * 1/2014 Cheatham A41B 13/10
D2/847
- D816,297 S * 5/2018 Eyth A41B 13/00
D2/745
- 2005/0235394 A1 * 10/2005 Pew A41B 13/10
2/111
- 2006/0010558 A1 * 1/2006 Prater A41B 13/08
2/111
- 2006/0026728 A1 * 2/2006 Shaw A41B 13/10
2/49.1

* cited by examiner

Primary Examiner — Geroge A Bugg
Assistant Examiner — Amber J Rabie
 (74) *Attorney, Agent, or Firm* — Bochner IP; Andrew D. Bochner

(57) **CLAIM**

The ornamental design for a baby shirt with a detachable bib, as shown and described.

(56) **References Cited**

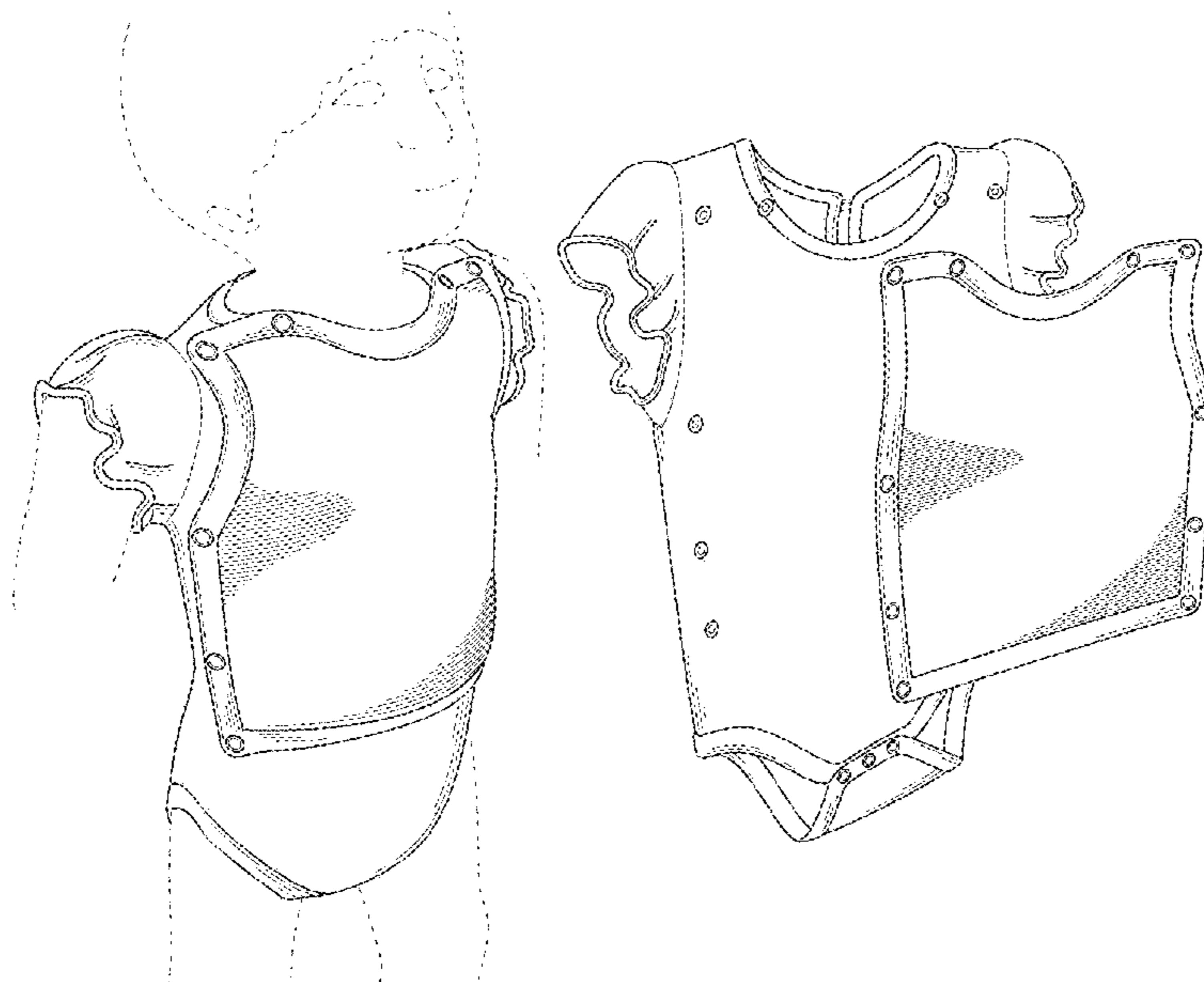
U.S. PATENT DOCUMENTS

- 1,095,476 A * 5/1914 Sprague A41B 13/00
2/80
- 2,922,164 A * 1/1960 Liff A41B 13/00
2/49.2
- D315,051 S * 3/1991 Schanink D2/743
- 5,454,119 A * 10/1995 Thomm A41B 13/10
2/106
- 5,911,311 A * 6/1999 Hutchins A41B 13/10
2/48
- 6,032,287 A * 3/2000 Kallas A41B 13/10
2/69
- D438,365 S * 3/2001 Matrasingh D2/840
- 6,408,439 B1 * 6/2002 Garforth-Crippen
A41B 13/00
2/80
- D582,126 S * 12/2008 Lesperance A41D 13/1272
D2/745

DESCRIPTION

FIG. 1 is a top, front, left side perspective view of the baby shirt and detachable bib, with broken lines illustrating being worn by a child as environmental structure;
 FIG. 2 is a top, front, left side perspective view of the baby shirt and detachable bib;
 FIG. 3 is a front elevation view of the baby shirt and detachable bib of FIG. 2;
 FIG. 4 is an exploded perspective view of the baby shirt and removeable bib portions; and,
 FIG. 5 is a rear elevation view of the detachable bib portion.
 In the drawings, the broken lines and stitching are for the purposes of illustrating environment only, and form no part of the claimed design.

1 Claim, 3 Drawing Sheets



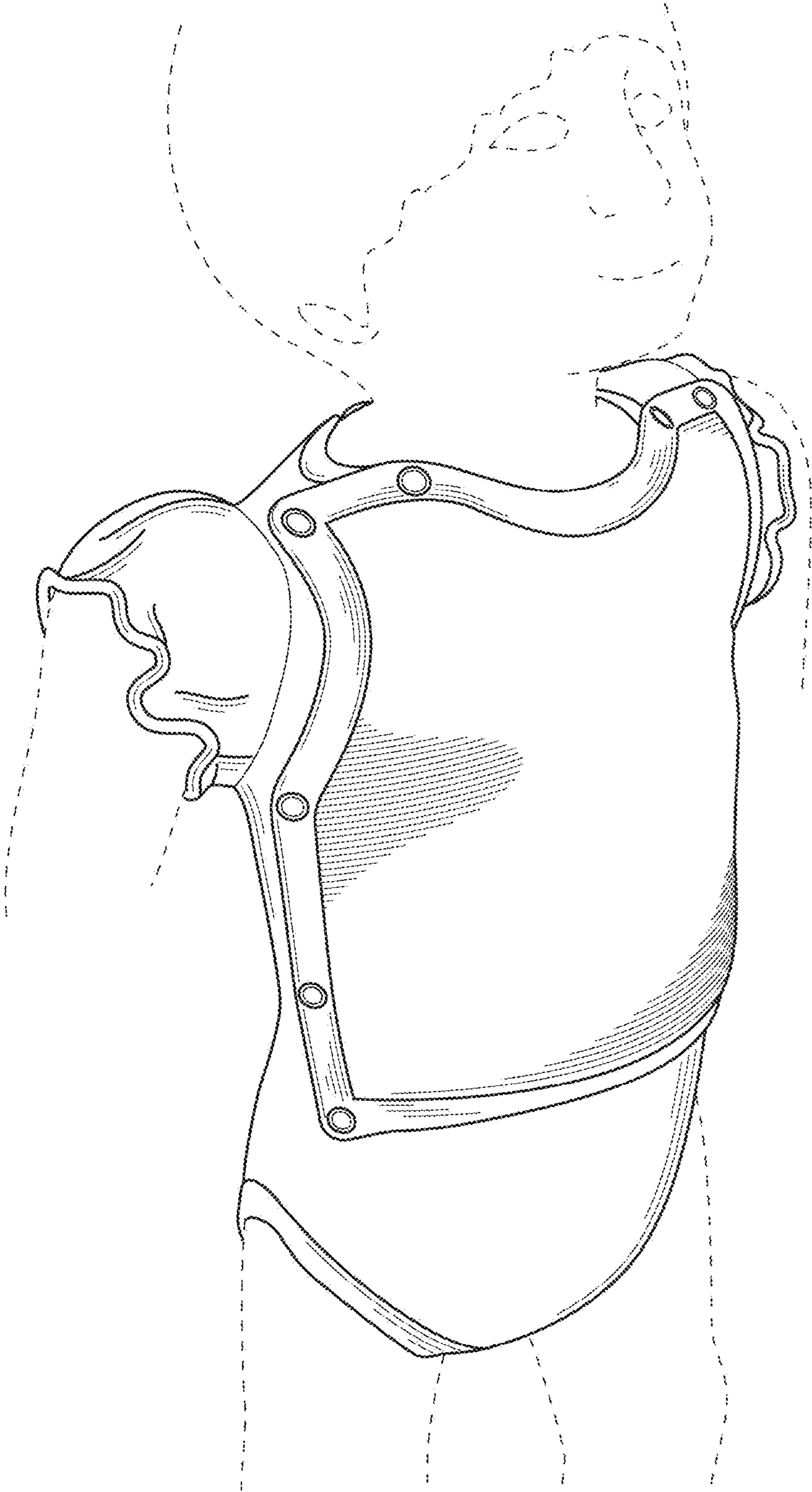


FIG. 1

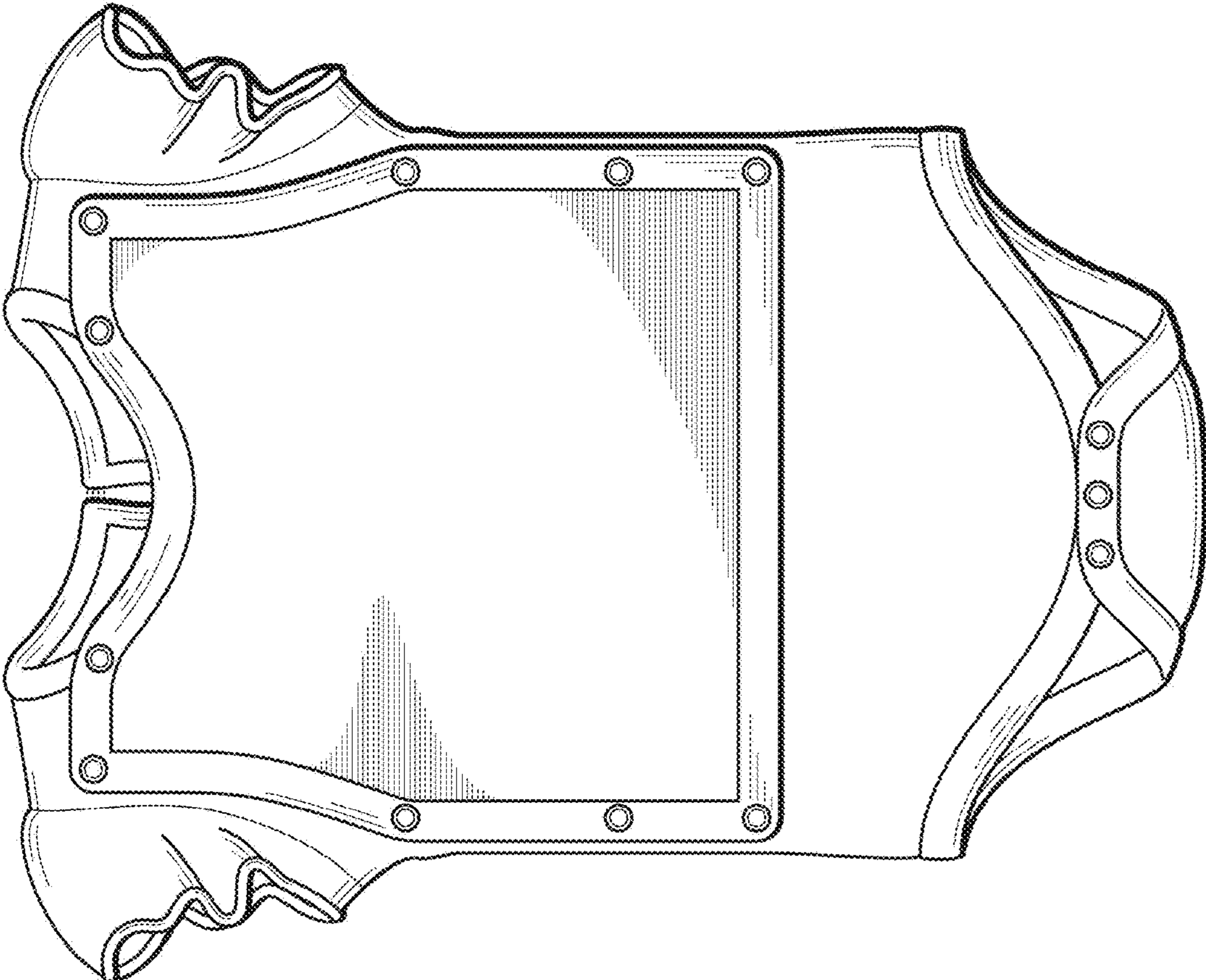


FIG. 2

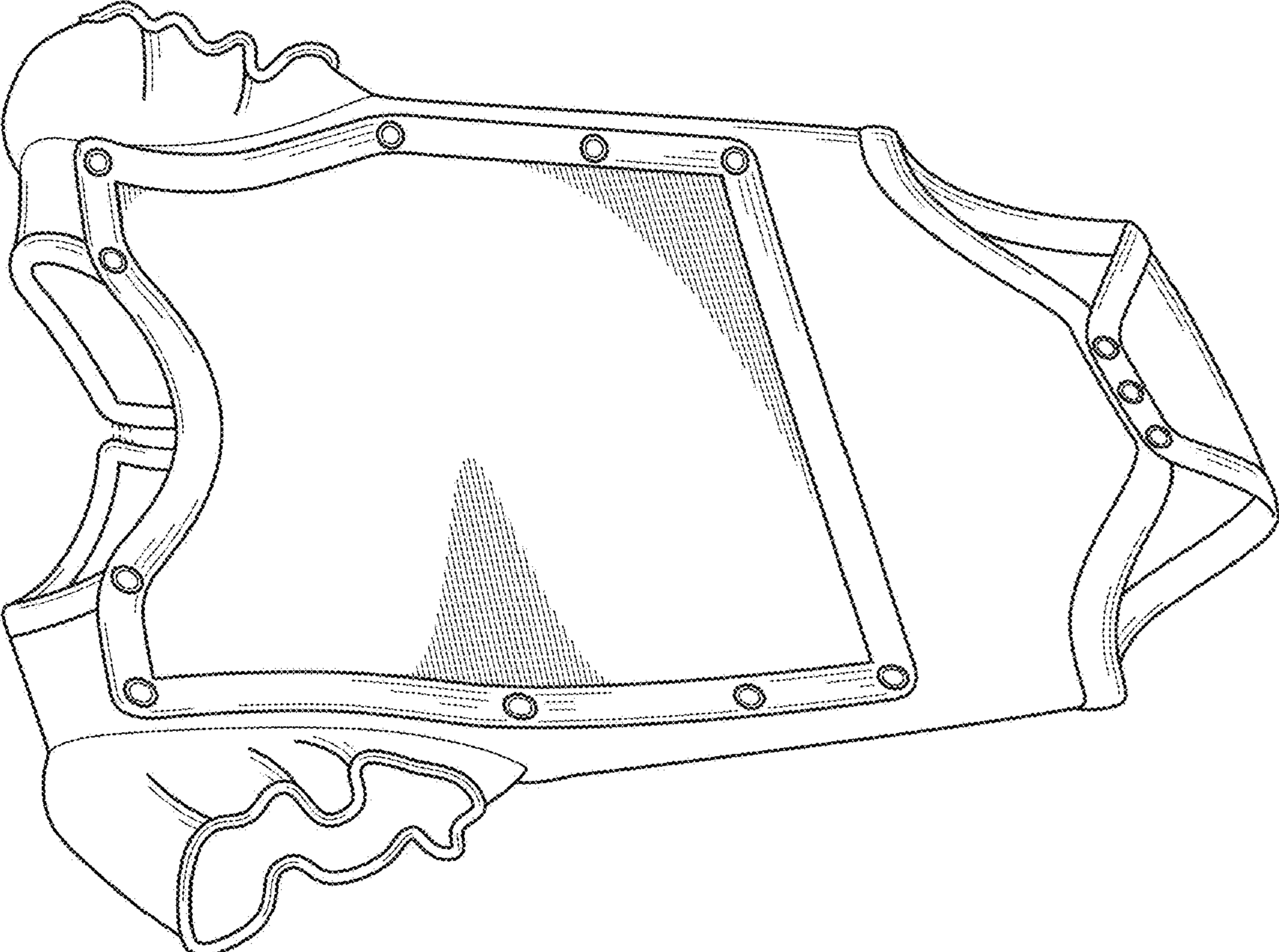


FIG. 3

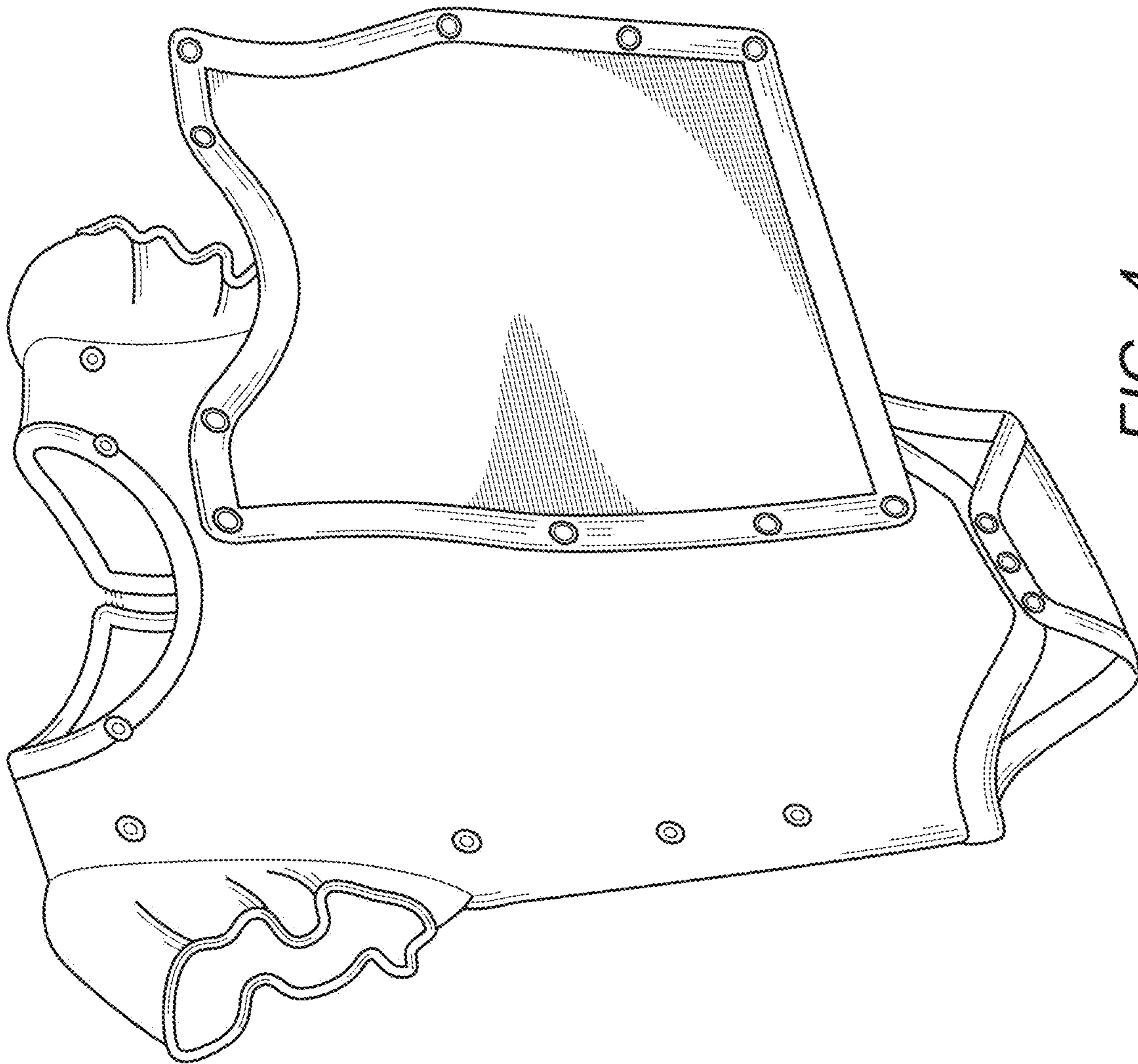


FIG. 4

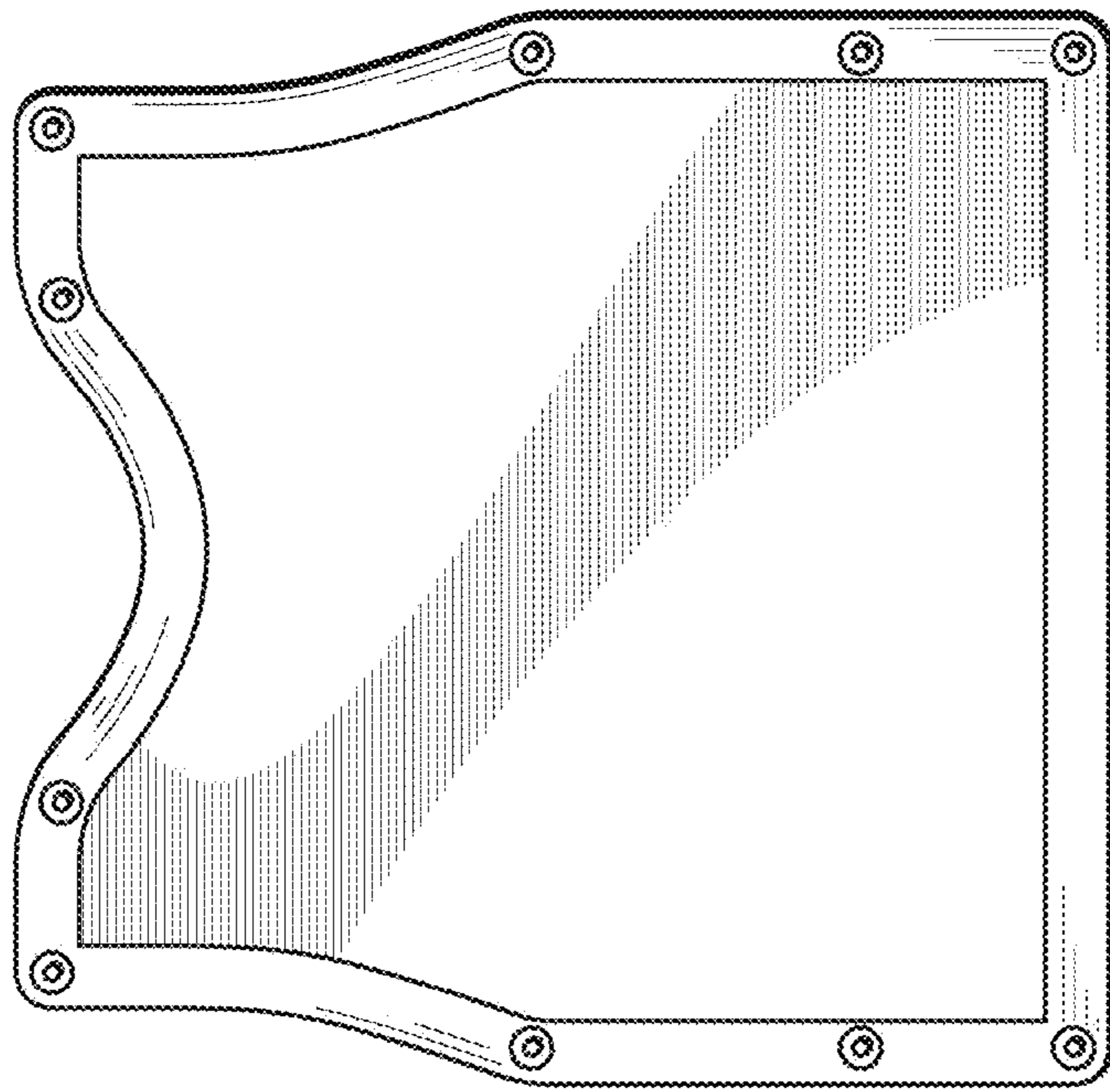


FIG. 5