



US00D902526S

(12) **United States Design Patent**
Resca

(10) **Patent No.:** **US D902,526 S**

(45) **Date of Patent:** **** Nov. 24, 2020**

- (54) **BELT**
- (71) Applicant: **Franco Resca**, Kilnerpark (ZA)
- (72) Inventor: **Franco Resca**, Kilnerpark (ZA)
- (**) Term: **15 Years**
- (21) Appl. No.: **29/607,097**
- (22) Filed: **Jun. 9, 2017**
- (30) **Foreign Application Priority Data**
Dec. 13, 2016 (ZA) A2016/01908
- (51) **LOC (12) Cl.** **02-07**
- (52) **U.S. Cl.**
USPC **D2/627**
- (58) **Field of Classification Search**
USPC D2/624-629, 631, 636-640, 701;
D3/224, 226; D11/200; D24/190;
D30/152
CPC .. A41F 9/025; A41F 9/02; A41F 9/007; A41F
9/002; A41F 9/00; A41F 5/00; A41F
3/04; A41F 3/02; A41F 3/00; A41F
15/00; A41F 11/16; A41F 11/14; A41F
11/08; A41F 11/02; A41F 11/00; A41F
1/08; A41F 1/002; A41F 17/02; A41F
19/005; A45F 2003/144
See application file for complete search history.

- (56) **References Cited**
U.S. PATENT DOCUMENTS
1,674,835 A * 6/1928 Mix A41F 9/002
2/338
3,086,529 A * 4/1963 Munz A61B 17/1322
606/203
3,100,484 A * 8/1963 Berl A61G 5/10
128/876

- 3,438,063 A * 4/1969 Zallo A41F 9/002
2/322
- 3,653,075 A * 4/1972 Gluckin A41F 3/06
2/338
- 4,134,154 A * 1/1979 Faulkner A41F 9/002
2/338
- 4,144,594 A * 3/1979 Chapman A41F 9/002
2/338
- D274,557 S * 7/1984 Griffith, III A61B 17/1322
D2/627
- 4,470,869 A * 9/1984 Briconi A41F 9/002
156/226
- 4,685,668 A * 8/1987 Newlin, Jr. A41F 9/002
2/338
- 4,918,758 A * 4/1990 Rendina A63F 9/0098
2/171

(Continued)

Primary Examiner — Kevin K Rudzinski
Assistant Examiner — Clare Ann Gannon
(74) *Attorney, Agent, or Firm* — Seed IP Law Group LLP

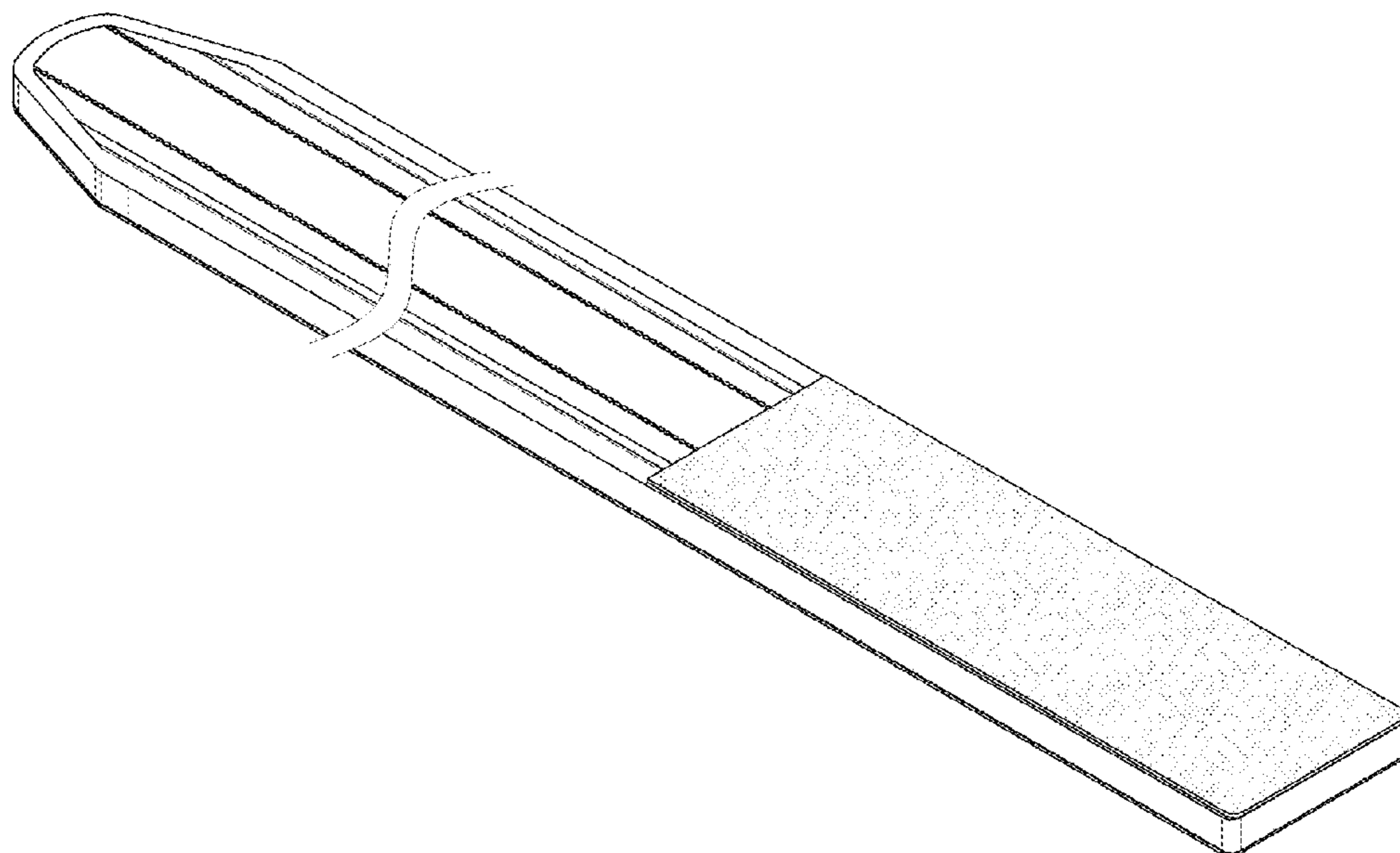
(57) **CLAIM**

The ornamental design of a belt, as shown and described.

DESCRIPTION

FIG. 1 is a perspective view of a belt, showing my new design;
FIG. 2 is a top view thereof;
FIG. 3 is a bottom view thereof;
FIG. 4 is a front elevational view thereof;
FIG. 5 is a cross-sectional view thereof, viewed along line 5-5 of FIG. 7;
FIG. 6 is a rear elevational view thereof; and,
FIG. 7 is a right side view thereof, the left side view is a mirror image.
The break lines shown in FIGS. 1-3 and 7 symbolize breaks in the length of the article in which the claimed design is embodied. The appearance of any portion of the article between the break lines forms no part of the claimed design.

1 Claim, 3 Drawing Sheets



(56)

References Cited

U.S. PATENT DOCUMENTS

D312,370 S * 11/1990 Weed A41F 9/002
D2/627
D346,482 S * 5/1994 Merrill A41F 9/002
D2/627
D360,452 S * 7/1995 Gessler A41F 9/002
D21/804
5,505,356 A * 4/1996 Noriega A41D 13/0012
2/338
D423,390 S * 4/2000 Kontos D10/111
D495,118 S * 8/2004 Sherman A41F 3/06
D2/625
D607,626 S * 1/2010 Murphy D2/639
D872,969 S * 1/2020 Stewart D2/629
2013/0227765 A1 * 9/2013 Bailey A41F 1/06
2/311

* cited by examiner

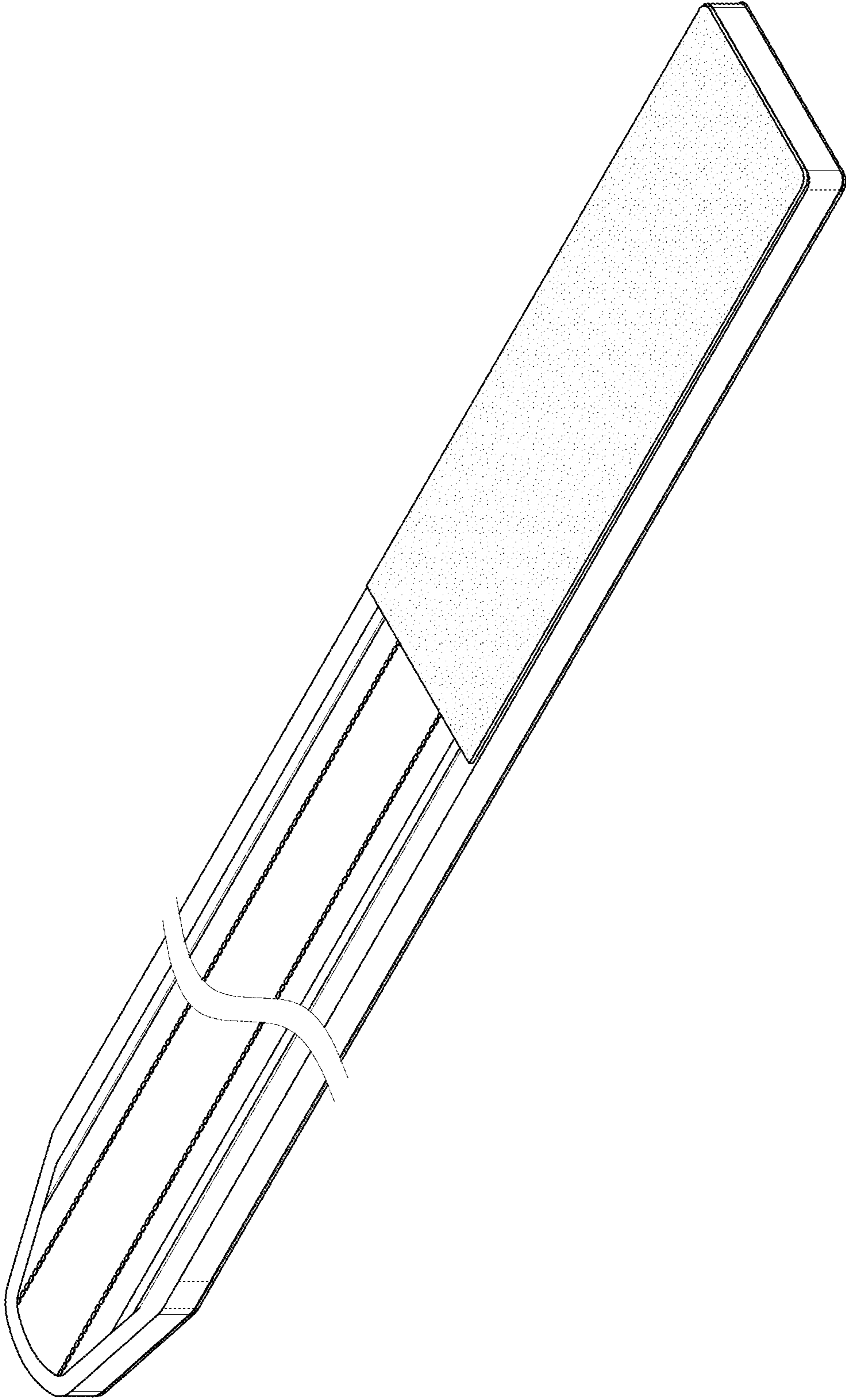


FIG. 1

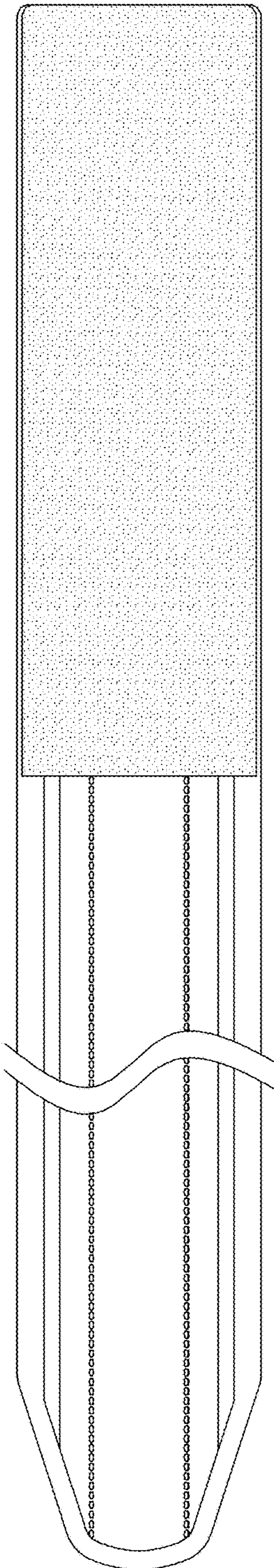


FIG. 2

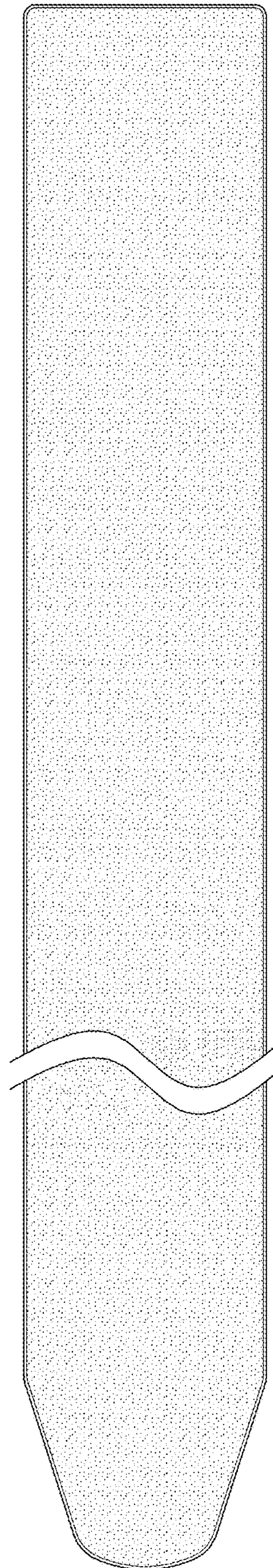


FIG. 3

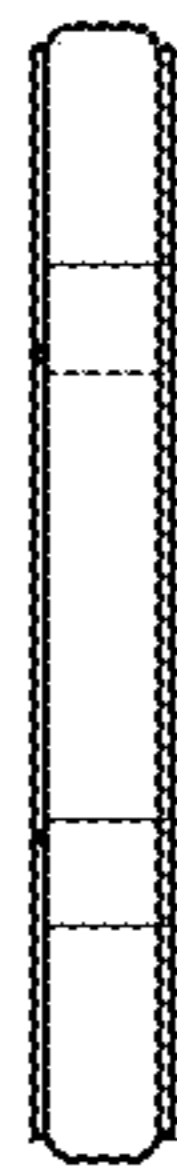


FIG. 4



FIG. 5



FIG. 6

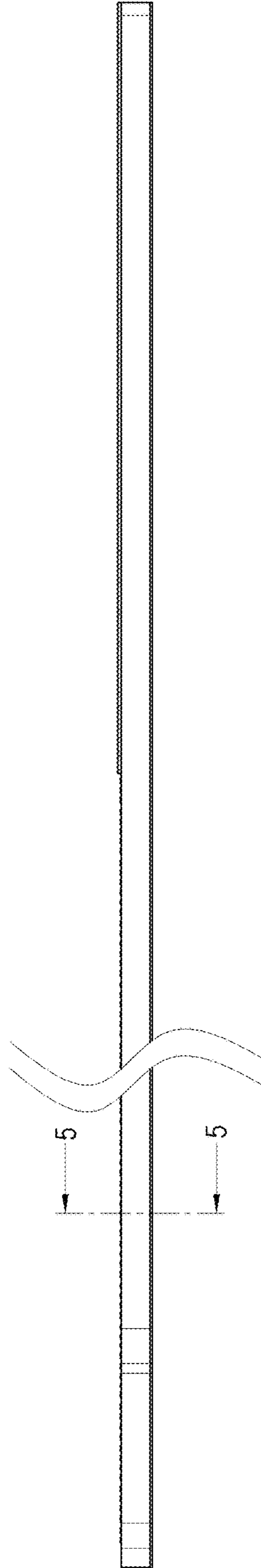


FIG. 7