



US00D902525S

(12) **United States Design Patent**
Hirvesaar

(10) **Patent No.:** **US D902,525 S**

(45) **Date of Patent:** **** Nov. 17, 2020**

- (54) **PARCEL TERMINAL**
- (71) Applicant: **Cleveron AS**, Viljandi (EE)
- (72) Inventor: **Lauri Hirvesaar**, Tallinn (EE)
- (73) Assignee: **Cleveron AS**, Viljandi (EE)
- (**) Term: **15 Years**
- (21) Appl. No.: **29/707,106**
- (22) Filed: **Sep. 26, 2019**
- (30) **Foreign Application Priority Data**
 May 16, 2019 (EM) 006469664-0001
- (51) **LOC (12) Cl.** **99-00**
- (52) **U.S. Cl.**
 USPC **D99/28**
- (58) **Field of Classification Search**
 USPC D99/28, 29, 31, 43, 99; D3/201, 226,
 D3/232, 272, 273, 274, 900-905;
 232/1 R, 1 A, 1 C, 1 D, 4 R, 17, 19, 20,
 232/21, 27, 30, 31, 45
 CPC A47G 29/00; A47G 29/08; A47G 29/12;
 A47G 29/1201; A47G 29/1203; A47G
 29/1207; A47G 29/1209; A47G 29/1218;
 A47G 29/122; A45C 5/00; A45C 5/005;
 A45C 5/03; A45C 5/04; A45C 2005/032;
 A45C 2005/037; A45C 11/16; A45C
 11/20; A45C 11/34; A45C 11/36; A45C
 1/12
 See application file for complete search history.

- (56) **References Cited**
 U.S. PATENT DOCUMENTS
 D279,619 S * 7/1985 Stevens D99/29
 D293,153 S * 12/1987 McKellar D99/28
 D293,154 S * 12/1987 McKellar D99/28
 D315,996 S * 4/1991 Barth D99/28

- 5,172,970 A * 12/1992 Momose E05B 47/0002
 292/201
- D345,217 S * 3/1994 Pearlson D25/16
- D354,827 S * 1/1995 Filipak D99/29
- D360,738 S * 7/1995 Schwartz D99/28
- 5,520,450 A * 5/1996 Colson, Jr. E05B 47/023
 312/215
- D371,883 S * 7/1996 Burt D99/29
- D461,907 S * 8/2002 Bain D14/307
- D462,776 S * 9/2002 Bain D14/307
- D482,510 S * 11/2003 Stout D99/28
- 6,751,913 B2 * 6/2004 Marrotte E04B 2/7453
 174/666
- D505,765 S * 5/2005 Swaine D99/28
- D512,804 S * 12/2005 Wilson D99/29
- D521,155 S * 5/2006 Shipard D25/16
- D526,065 S * 8/2006 Shipard D25/16
- D569,074 S * 5/2008 Irwin D99/29
- 7,428,980 B2 * 9/2008 Irwin E05G 7/001
 232/45
- D680,156 S * 4/2013 Hernandez D18/4.4

(Continued)

Primary Examiner — Elizabeth J Oswecki
(74) *Attorney, Agent, or Firm* — Berggren LLP

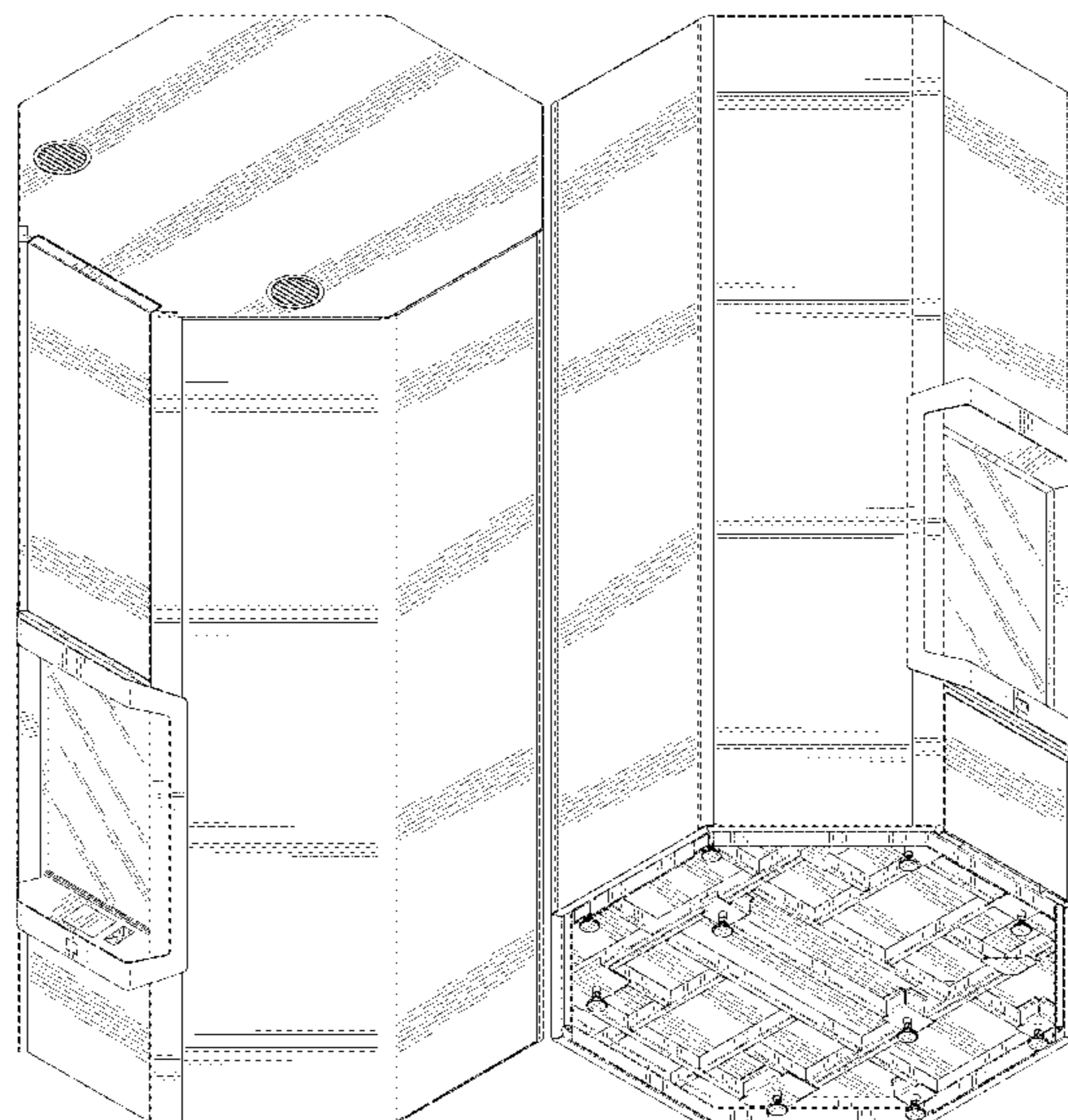
(57) **CLAIM**

The ornamental design for a parcel terminal, as shown and described.

DESCRIPTION

FIG. 1 is a perspective view of a parcel terminal, showing my new design;
 FIG. 2 is another perspective view thereof;
 FIG. 3 is a front view thereof;
 FIG. 4 is a back view thereof;
 FIG. 5 is a side view thereof, the opposite side being a mirror image thereof;
 FIG. 6 is a top plan view thereof; and,
 FIG. 7 is a bottom plan view thereof.
 The diagonal line shading shown in FIGS. 1-3 represents a transparent/translucent surface.

1 Claim, 7 Drawing Sheets



(56)

References Cited

U.S. PATENT DOCUMENTS

D726,990 S *	4/2015	Aziz	D99/29
D795,524 S *	8/2017	Tartal	D99/29
D881,503 S *	4/2020	Hirvesaar	D99/28
2008/0067227 A1 *	3/2008	Poss	H02J 7/35 232/17

* cited by examiner

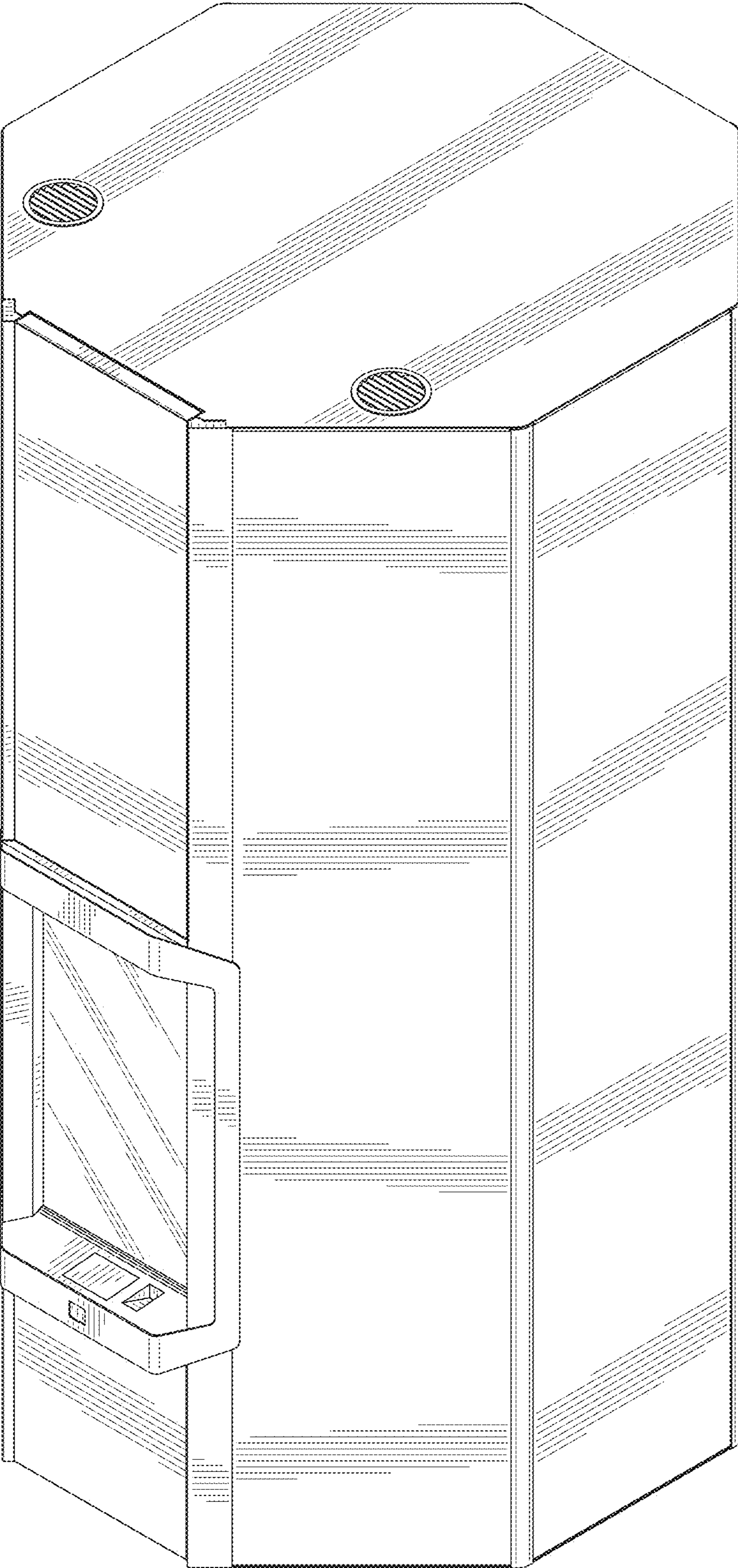


FIG. 1

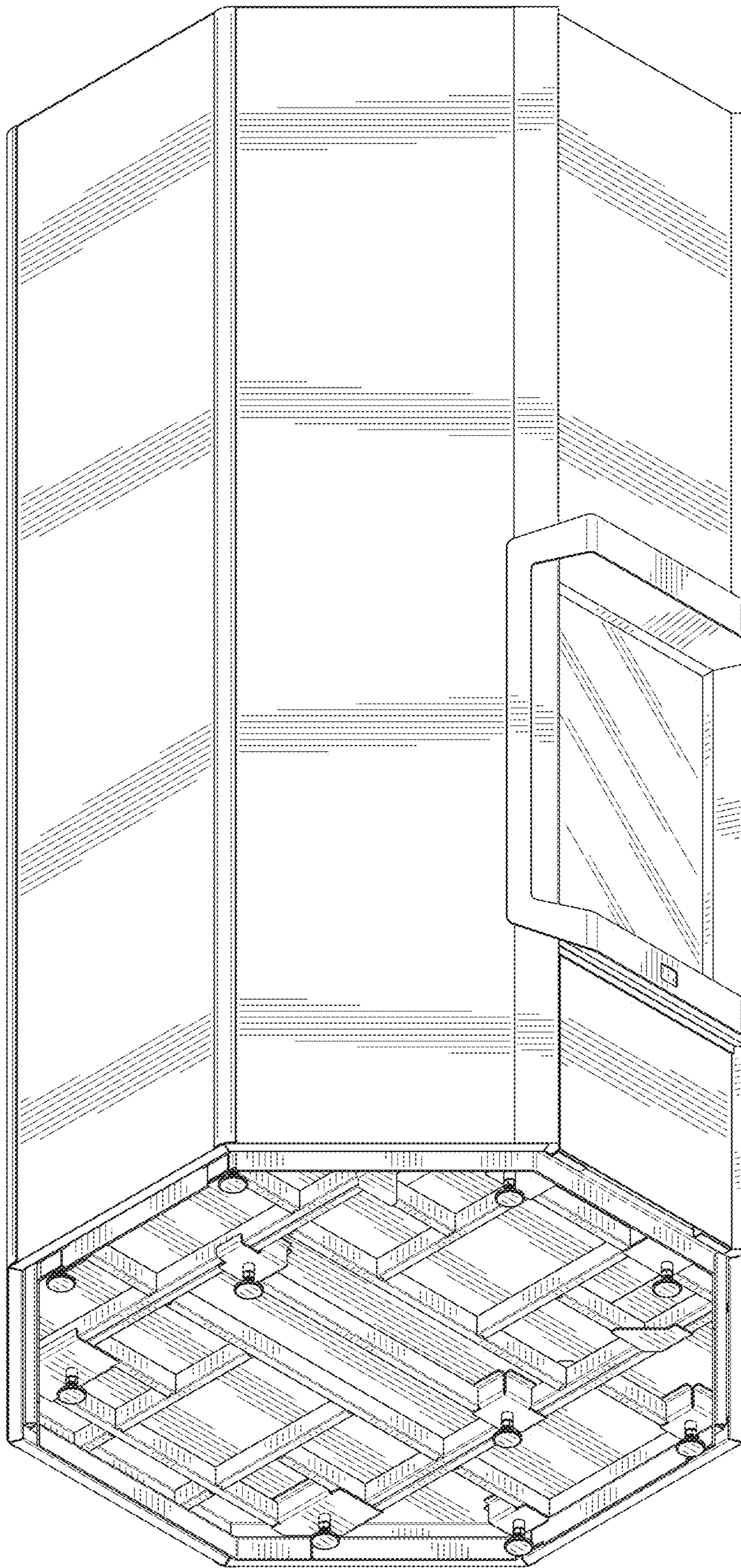


FIG. 2

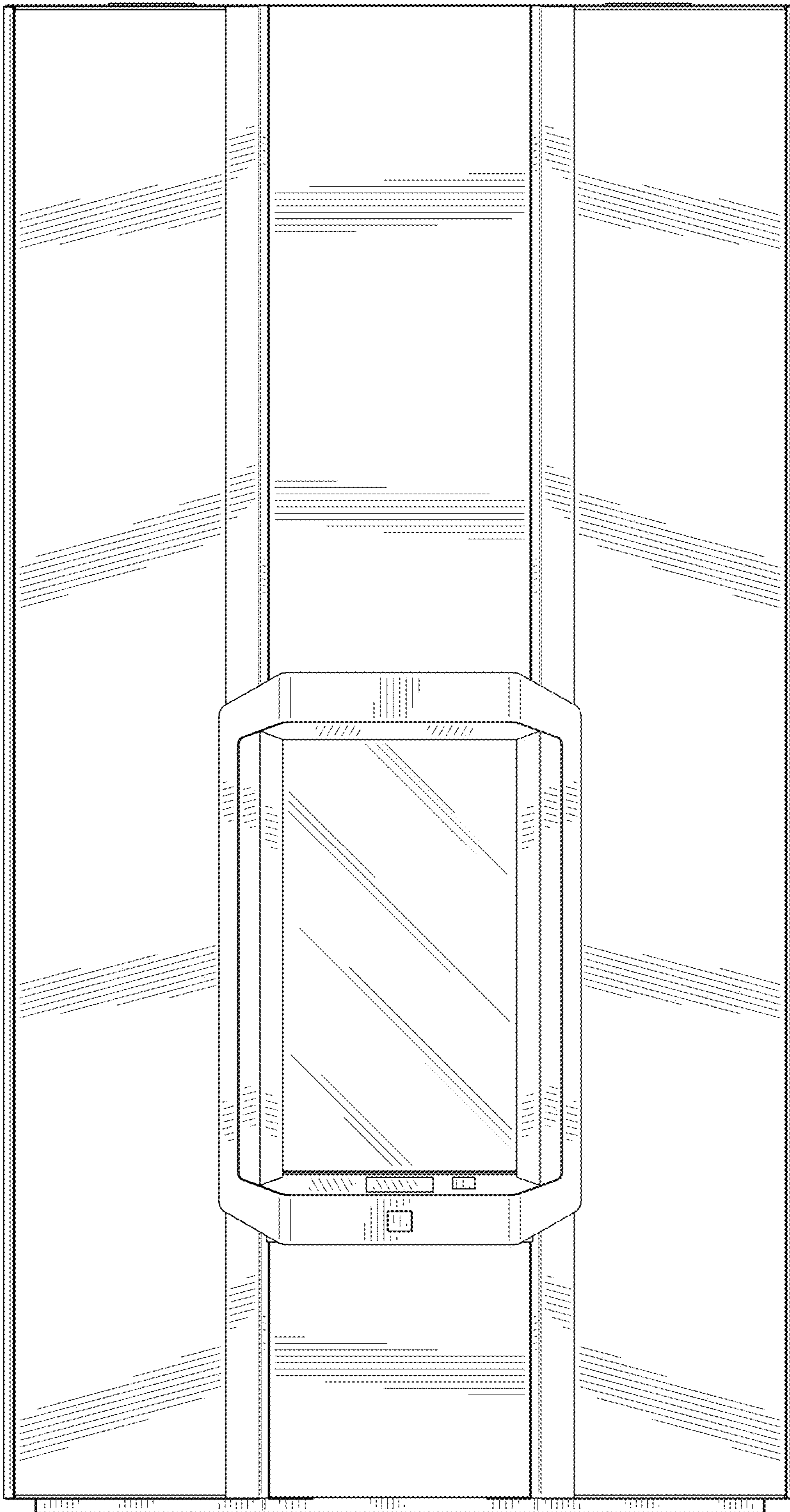


FIG. 3

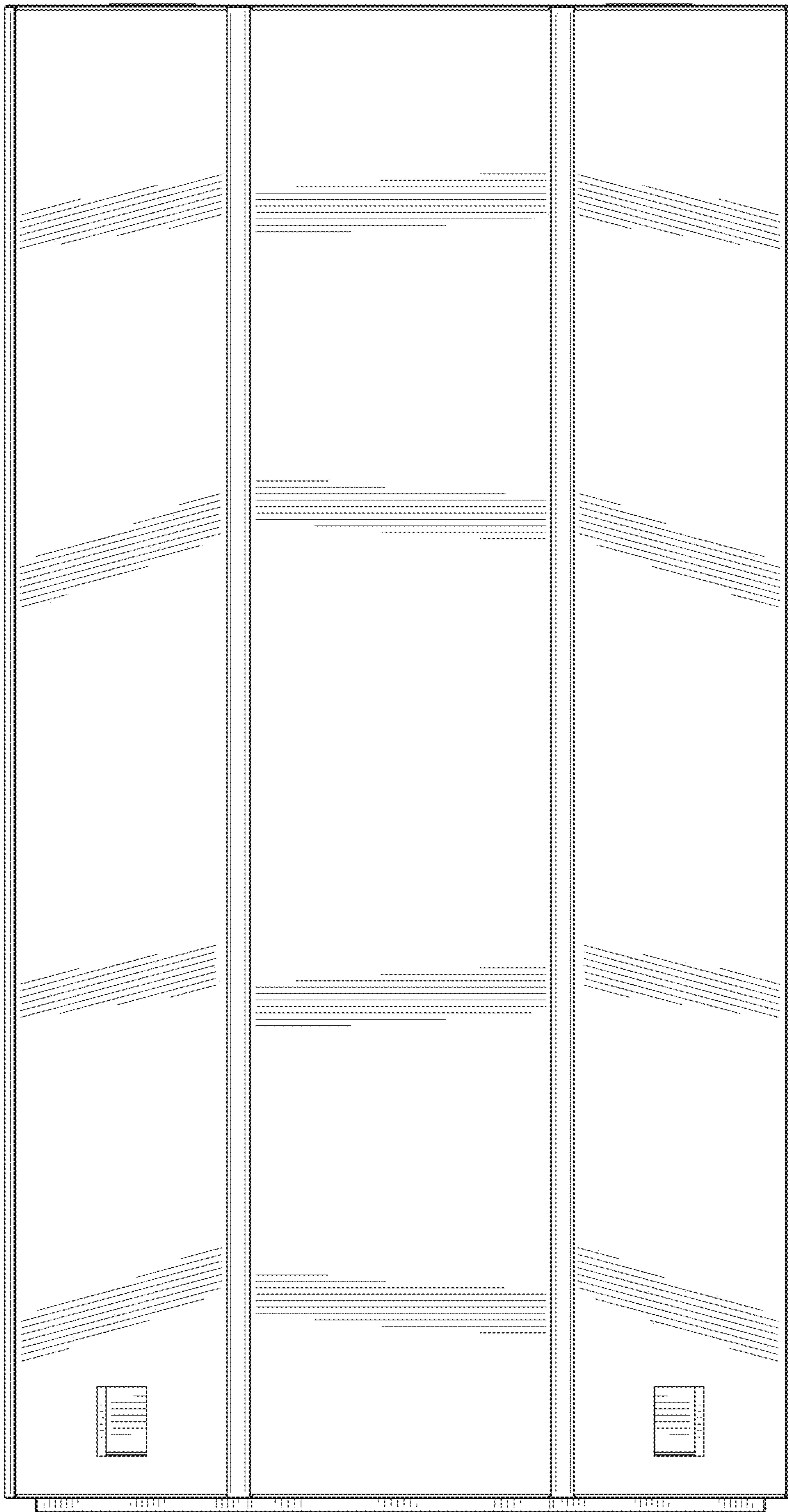


FIG. 4

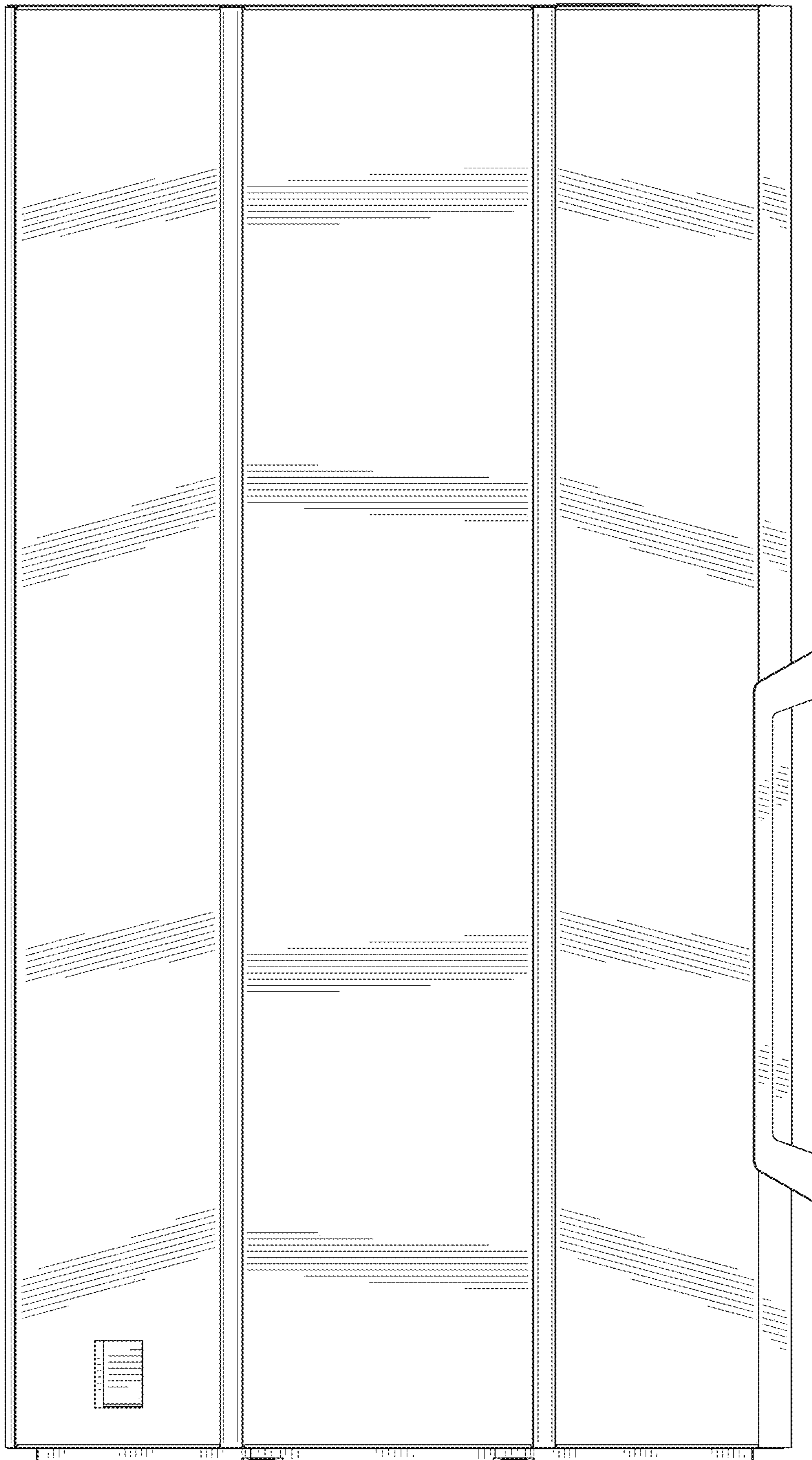


FIG. 5

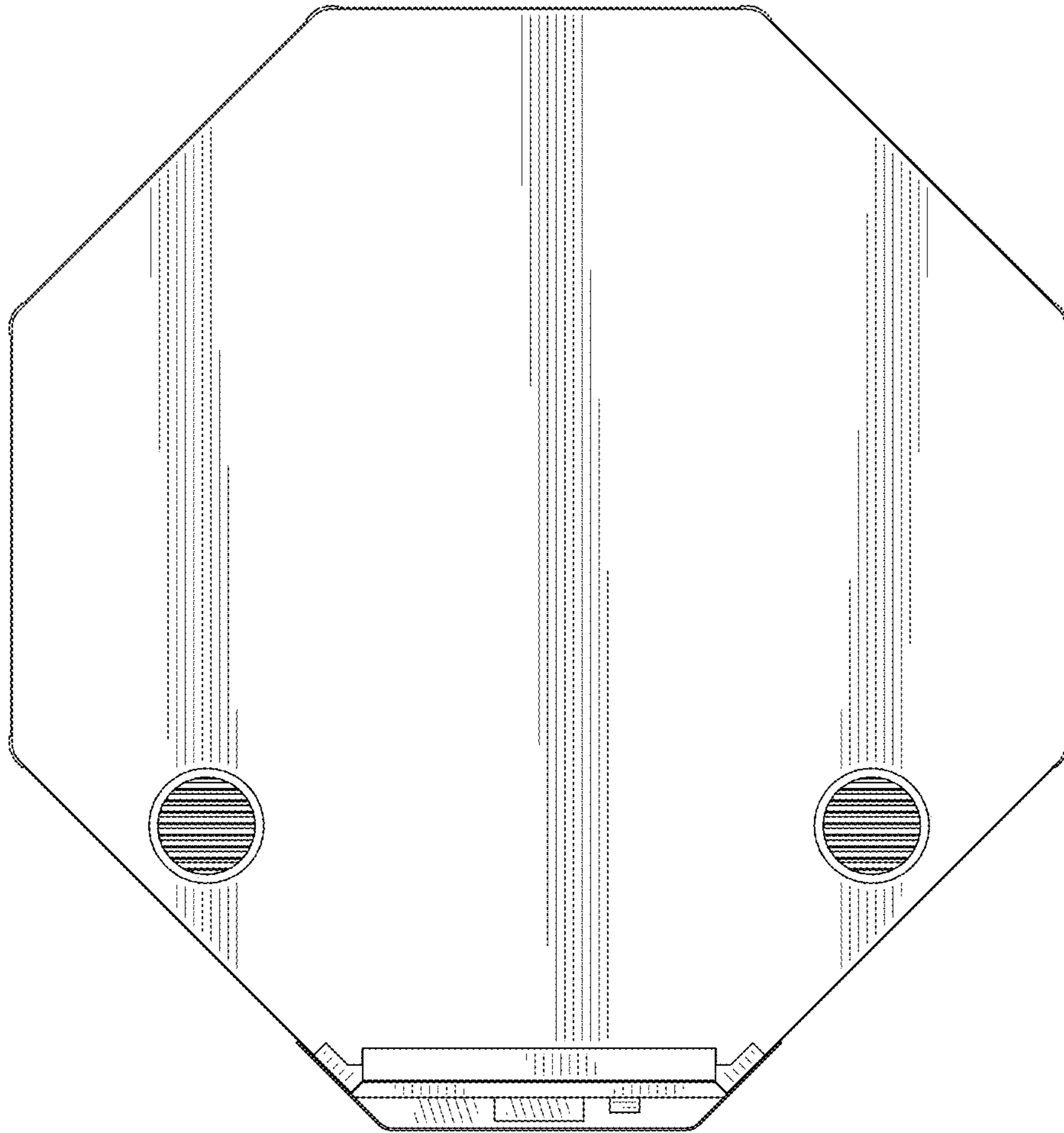


FIG. 6

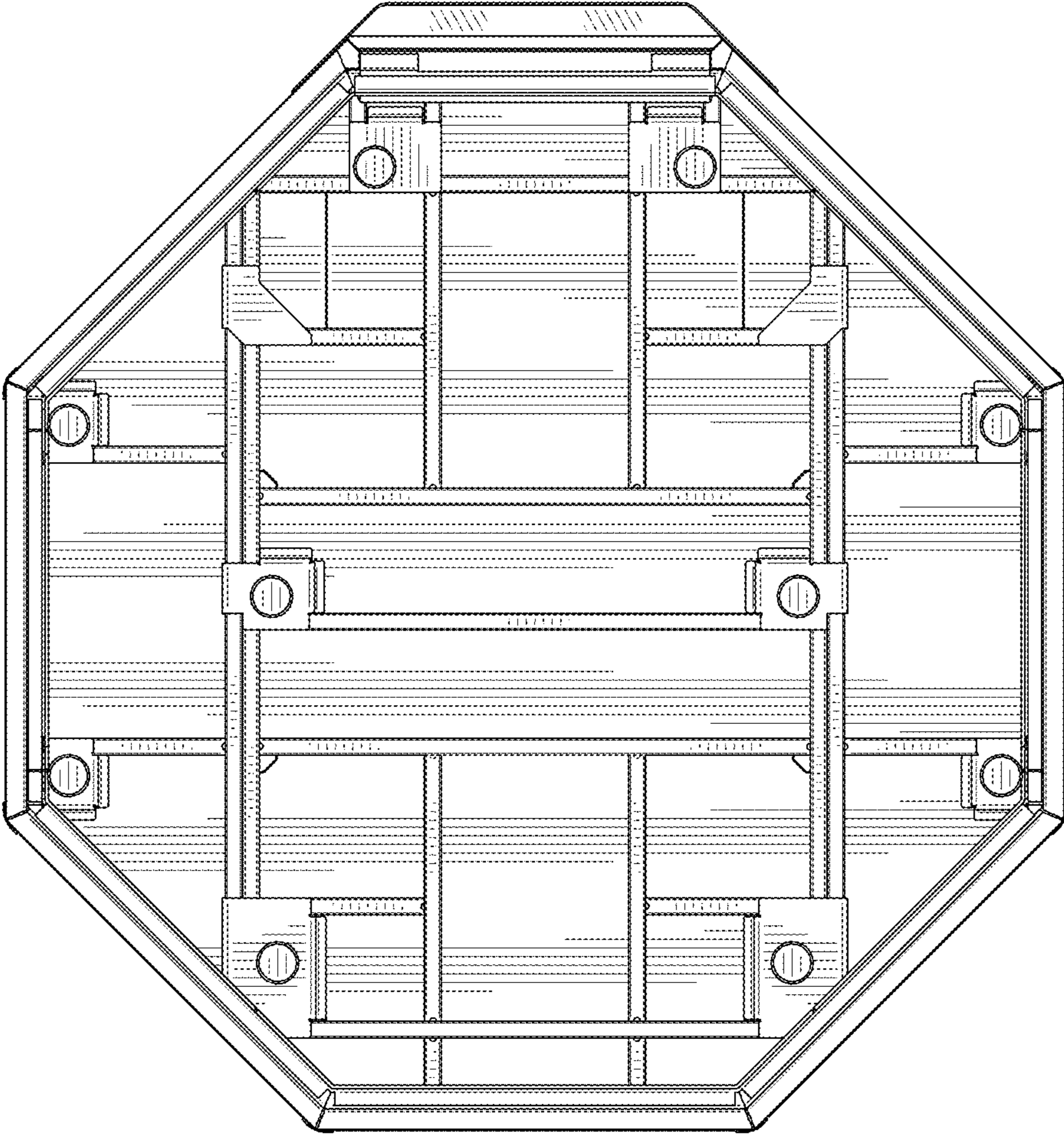


FIG. 7