

US00D902522S

(12) **United States Design Patent**
Damberg

(10) **Patent No.:** **US D902,522 S**

(45) **Date of Patent:** **** Nov. 17, 2020**

- (54) **ARTICLE HANDLING DEVICE**
- (71) Applicant: **raaco A/S**, Nykøbing F (DK)
- (72) Inventor: **Peter-Thomas Damberg**, Nykøbing Falster (DK)
- (73) Assignee: **raaco A/S**, Nykøbing Falster (DK)
- (**) Term: **15 Years**
- (21) Appl. No.: **29/661,624**
- (22) Filed: **Aug. 29, 2018**

(30) **Foreign Application Priority Data**

Mar. 2, 2018 (EM) 004736171-0001

(51) **LOC (12) Cl.** **12-02**

(52) **U.S. Cl.**
USPC **D34/26**

(58) **Field of Classification Search**

USPC D34/12, 17, 24, 26
CPC .. B62B 3/00; B62B 3/02; B62B 3/002; B62B 3/14; B62B 3/001; B62B 3/022; B62B 3/027; B62B 3/12; B62B 3/005; B62B 3/1404

See application file for complete search history.

(56) **References Cited**

U.S. PATENT DOCUMENTS

D758,687 S * 6/2016 Shitrit D34/12
D776,894 S * 1/2017 Lee D34/24
D833,102 S * 11/2018 Liao D34/12

2002/0096862 A1* 7/2002 Fang A45C 13/385
280/652
2006/0261564 A1* 11/2006 Chuang B62B 1/125
280/47.27
2015/0208780 A1* 7/2015 Avery A45C 13/385
280/652

* cited by examiner

Primary Examiner — Cynthia Ramirez

(74) *Attorney, Agent, or Firm* — Barclay Damon LLP

(57) **CLAIM**

The ornamental design for an article handling device, as shown and described.

DESCRIPTION

A portion of the disclosure of this patent document contains material which is subject to copyright protection. The copyright owner has no objection to the facsimile reproduction by anyone of the patent disclosure, as it appears in the Patent and Trademark Office patent files or records, but otherwise reserves all copyright rights whatsoever.

FIG. 1 is a right side elevation view of an article handling device.

FIG. 2 is a bottom view of the article handling device.

FIG. 3 is a front elevation view of the article handling device.

FIG. 4 is a top view of the article handling device.

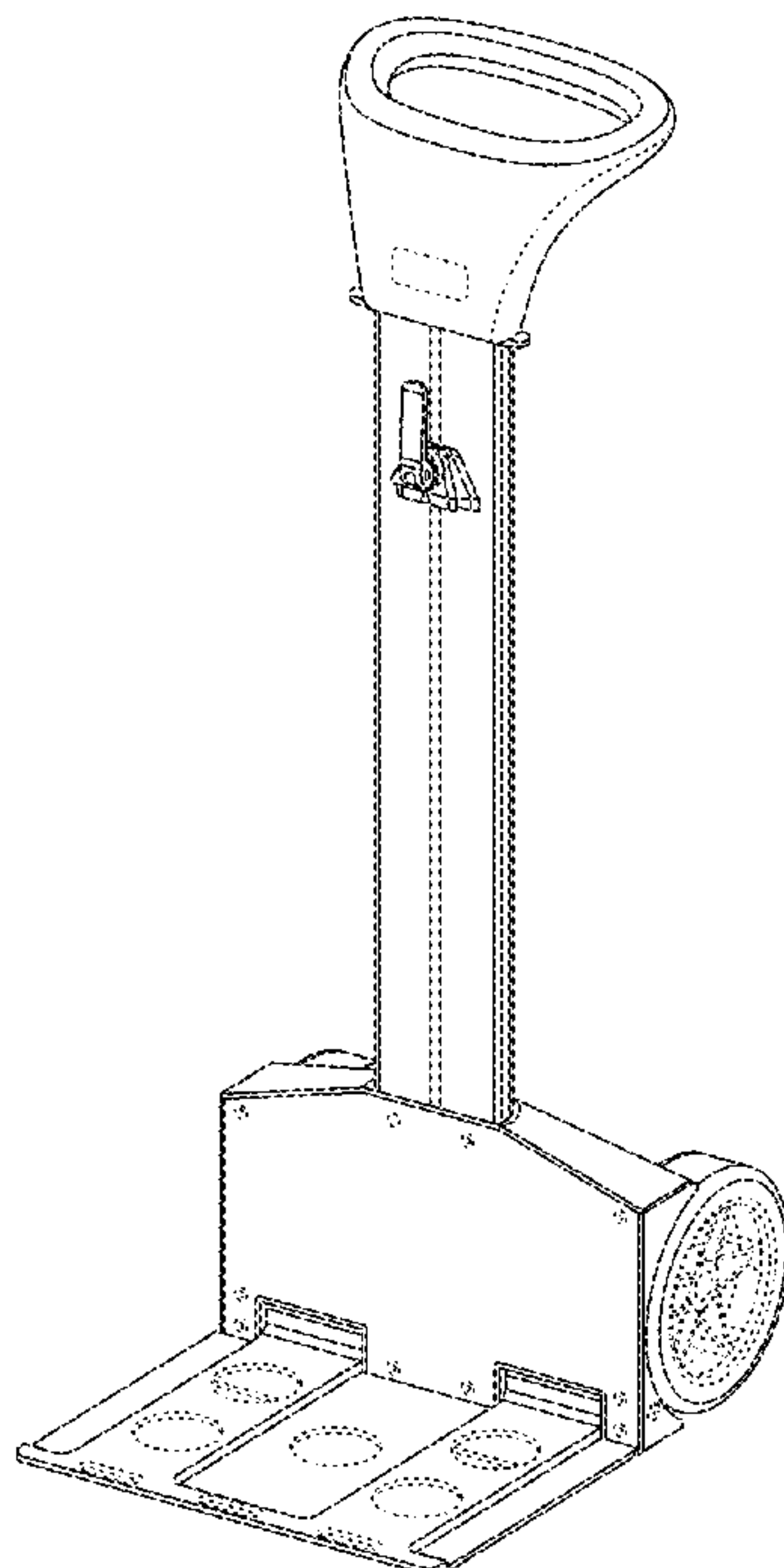
FIG. 5 is a left side elevation view of the article handling device.

FIG. 6 is a rear elevational view of the article handling device; and,

FIG. 7 is a front, right isometric view of the article handling device.

The broken lines in the drawings illustrate portions of the article handling device that form no part of the claimed design.

1 Claim, 7 Drawing Sheets



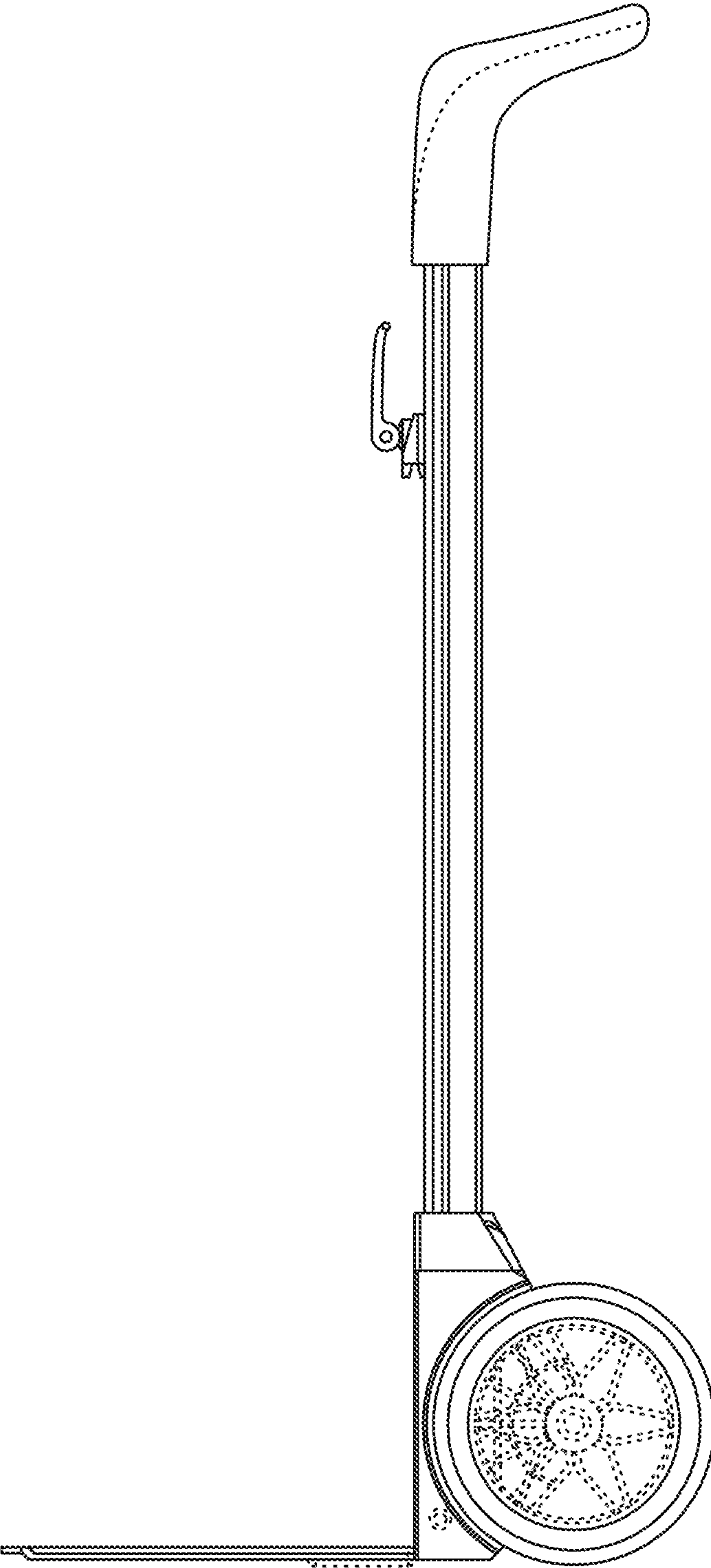


FIG. 1

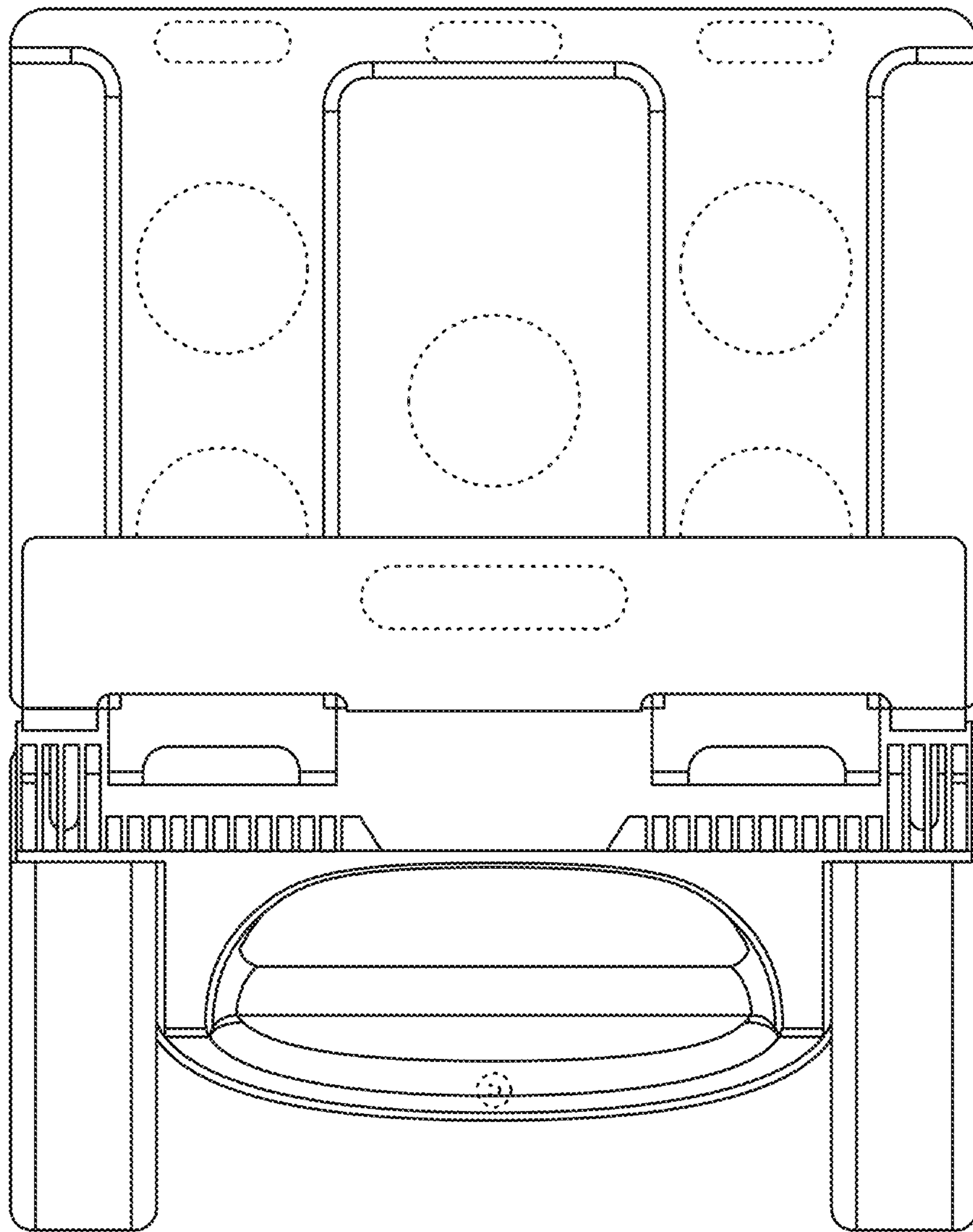


FIG. 2

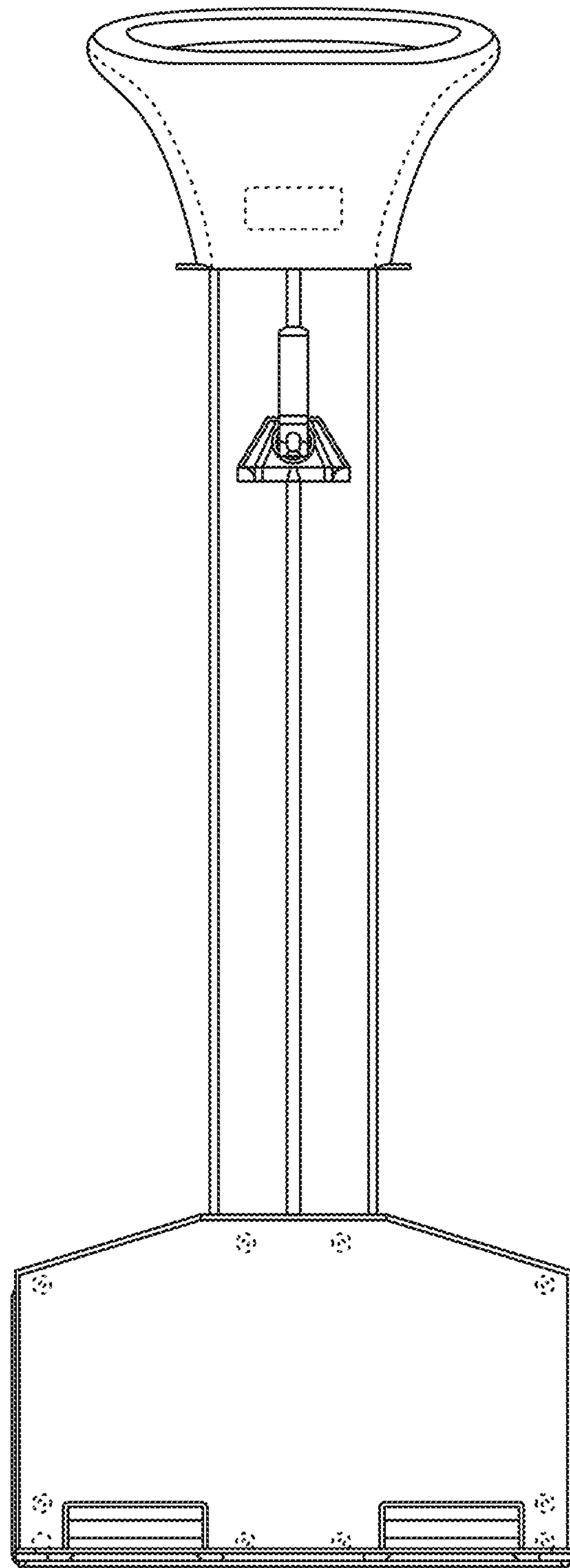


FIG. 3

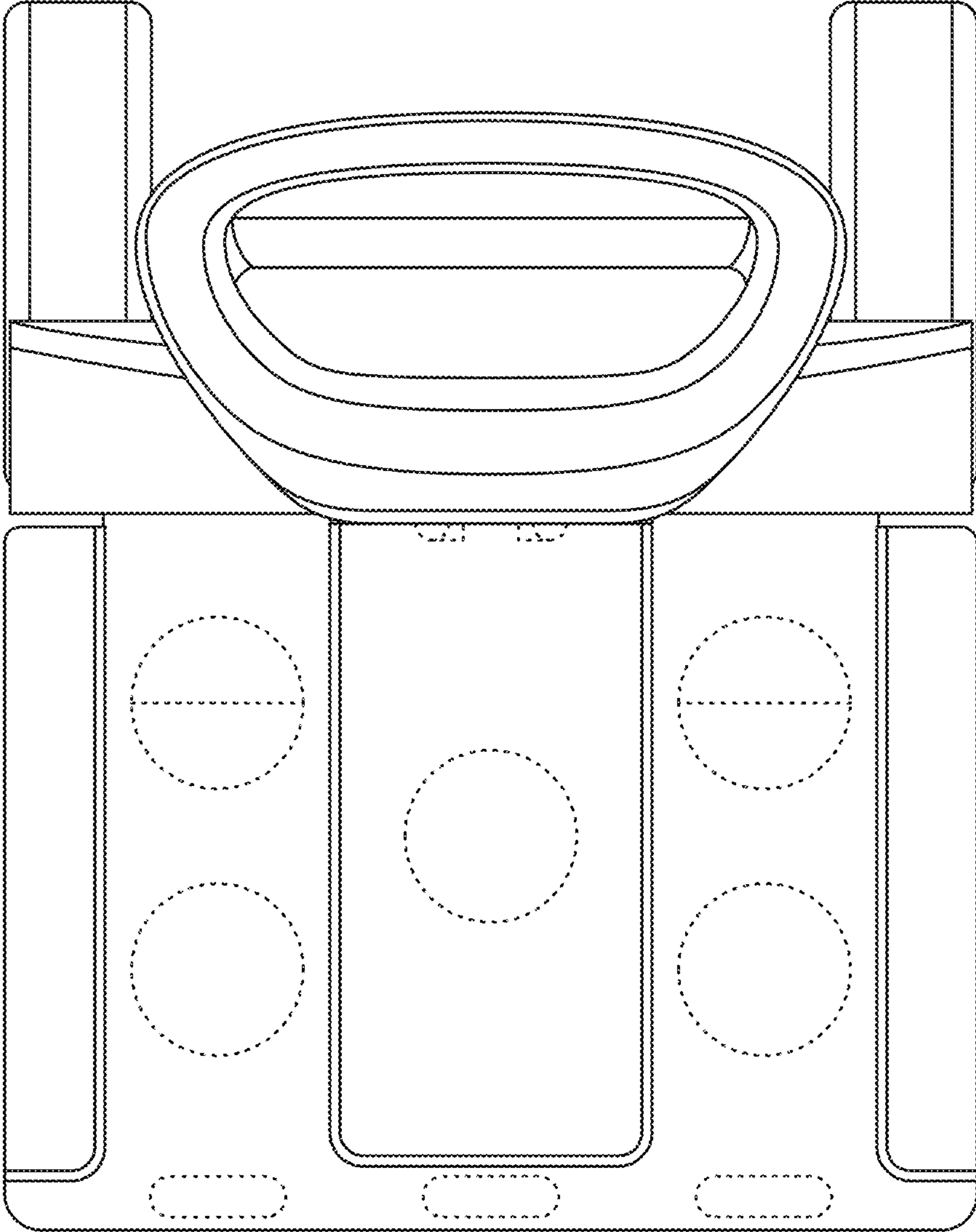


FIG. 4

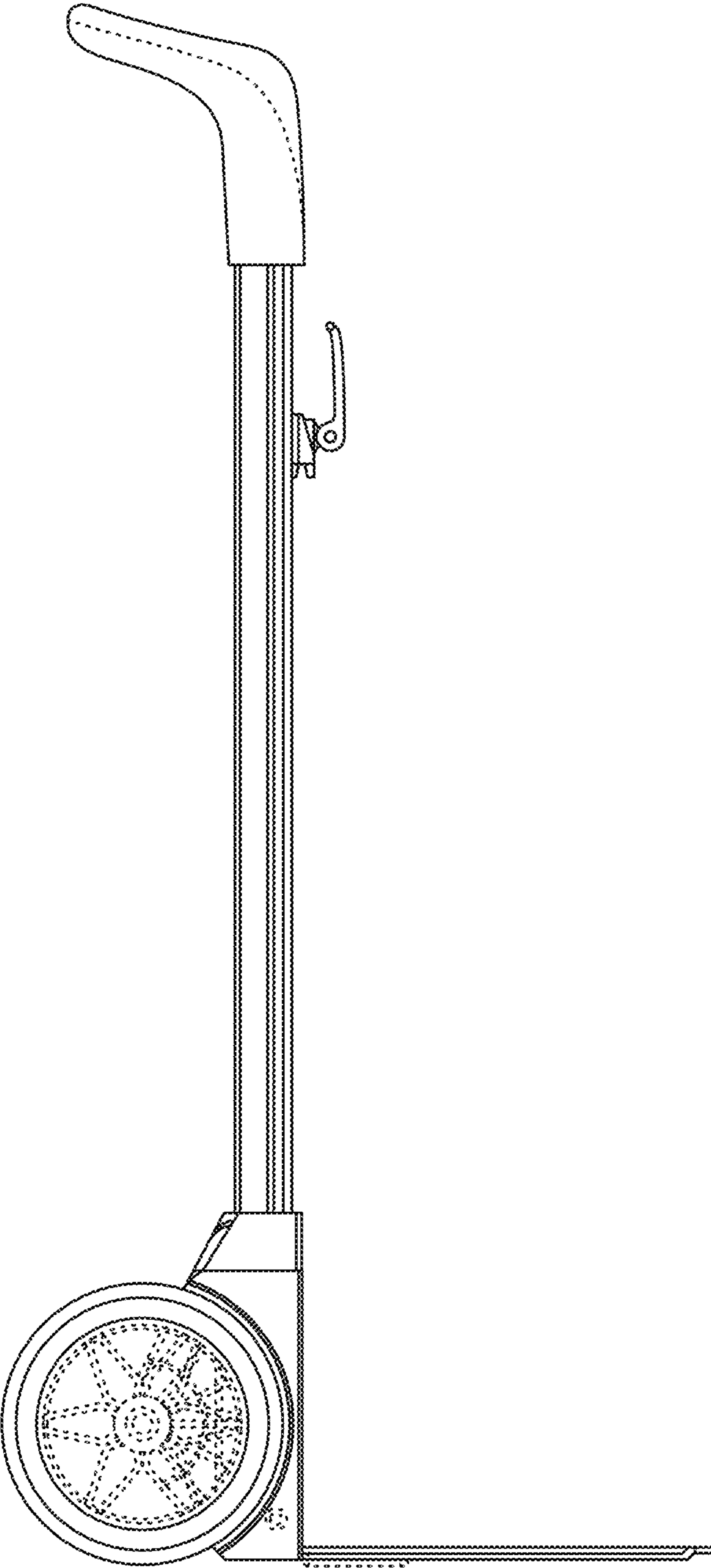


FIG. 5

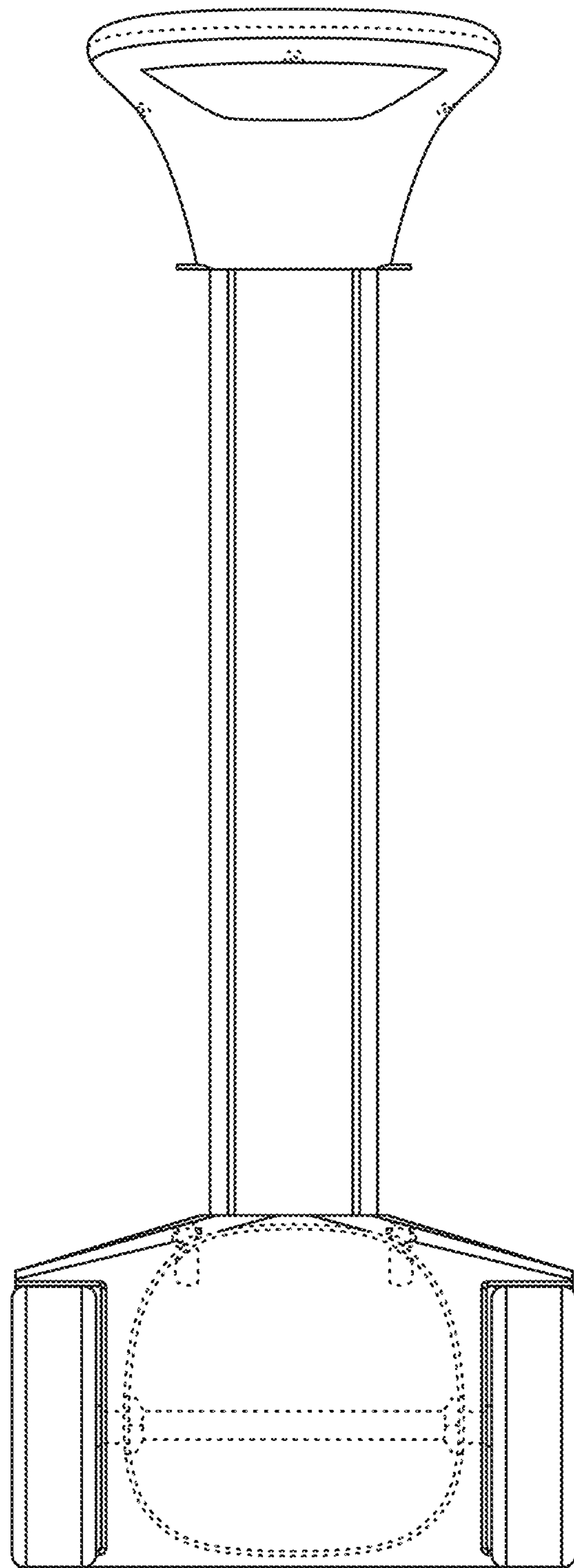


FIG. 6

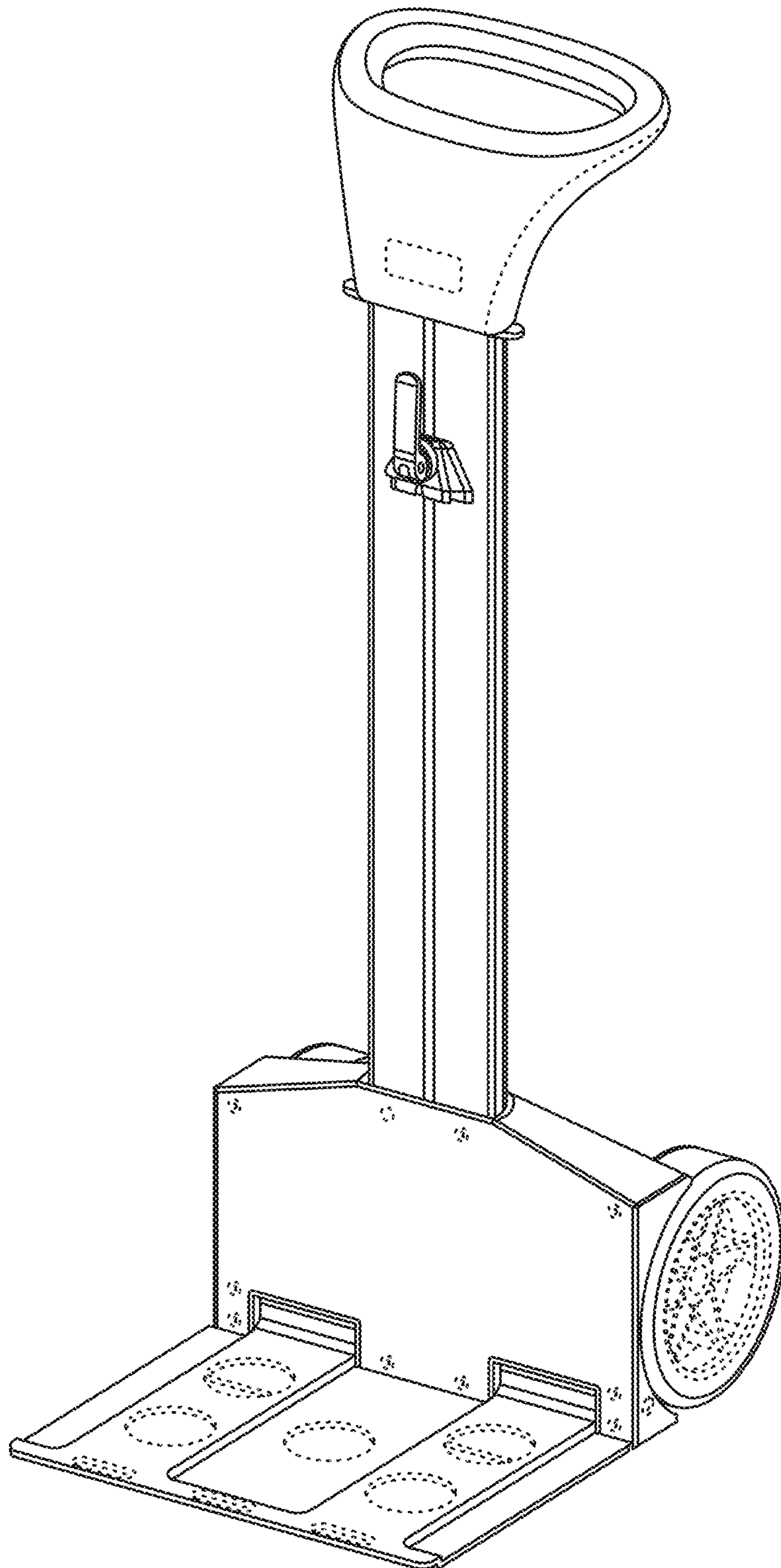


FIG. 7