



US00D902520S

(12) **United States Design Patent** (10) **Patent No.:** **US D902,520 S**  
**Childress** (45) **Date of Patent:** **\*\* Nov. 17, 2020**

(54) **CART APPARATUS WITH A TOP SUPPORT HAVING A PLURALITY OF OPENINGS**

*Primary Examiner* — Cynthia Ramirez  
(74) *Attorney, Agent, or Firm* — McDonnell Boehnen Hulbert & Berghoff LLP

(71) Applicant: **The Boeing Company**, Chicago, IL (US)

(72) Inventor: **Jamie J. Childress**, Seattle, WA (US)

(57) **CLAIM**

(73) Assignee: **The Boeing Company**, Chicago, IL (US)

The ornamental design for a cart apparatus with a top support having a plurality of openings, as shown and described.

(\*\*) Term: **15 Years**

(21) Appl. No.: **29/711,338**

(22) Filed: **Oct. 30, 2019**

**DESCRIPTION**

**Related U.S. Application Data**

(63) Continuation of application No. 29/648,443, filed on May 21, 2018, now Pat. No. Des. 869,810, which is (Continued)

(51) **LOC (12) Cl.** ..... **12-02**

(52) **U.S. Cl.**  
USPC ..... **D34/19**

(58) **Field of Classification Search**  
USPC ..... D34/12-27  
(Continued)

FIG. 1 is a front perspective view of a cart apparatus with a top support having a plurality of openings according to the design with a door in an open position;  
FIG. 2 is a front perspective view thereof with containers fully disposed through each of the plurality of openings and through an intermediate support;  
FIG. 3 is a front perspective view thereof with the door in an alternative closed position and with a container partially disposed through one of the plurality of openings;  
FIG. 4 is a front perspective view thereof with the door in an alternative closed position;  
FIG. 5 is a front view thereof with the door in the alternative closed position of FIG. 4;  
FIG. 6 is a rear view thereof with the door in the alternative closed position of FIG. 4;  
FIG. 7 is a right side view thereof with the door in the alternative closed position of FIG. 4;  
FIG. 8 is a left side view thereof with the door in the alternative closed position of FIG. 4;  
FIG. 9 is a top view thereof with the door in the alternative closed position of FIG. 4; and,  
FIG. 10 is a bottom view thereof with the door in the alternative closed position of FIG. 4.

(56) **References Cited**

**U.S. PATENT DOCUMENTS**

D202,493 S 10/1965 Gribbens  
D238,300 S 12/1975 Klemm  
(Continued)

**FOREIGN PATENT DOCUMENTS**

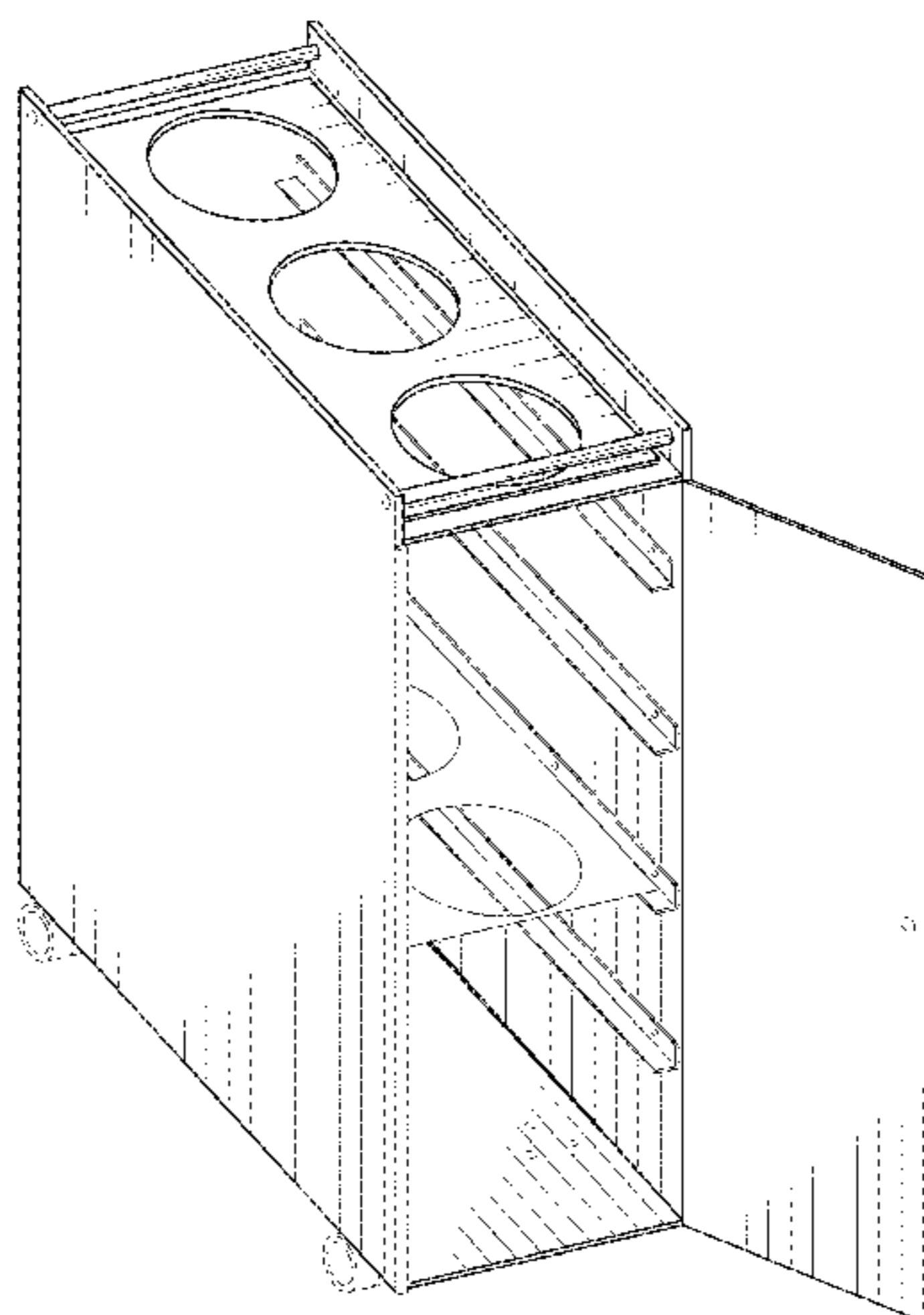
FR 2877551 A1 5/2006  
WO 2007149468 A2 12/2007  
WO 2012030881 A1 3/2012

**OTHER PUBLICATIONS**

European Patent Office, Extended European Search Report dated Mar. 29, 2017, issued in connection with EP Application No. 16180962.9, 8 pages.

The broken lines in the figures showing containers, a door knob, door trim, and wheels show environment and form no part of the claimed design.

**1 Claim, 8 Drawing Sheets**



**Related U.S. Application Data**

a continuation of application No. 14/944,534, filed on Nov. 18, 2015, now Pat. No. 10,005,482.

(58) **Field of Classification Search**

CPC ..... B62B 3/003; B62B 3/004; B62B 3/005;  
 B62B 3/006; B62B 3/10; B62B 3/108;  
 B62B 2204/06

See application file for complete search history.

(56) **References Cited**

U.S. PATENT DOCUMENTS

5,034,355	A	7/1991	Tani et al.
5,096,086	A	3/1992	Crema
5,174,468	A	12/1992	Holderman
5,234,498	A	8/1993	Graves, Jr.
5,238,139	A	8/1993	Bisceglia
5,873,643	A	2/1999	Burgess, Jr.
6,000,323	A	12/1999	Schlegel
6,102,219	A	8/2000	Wang
7,204,407	B2	4/2007	Laher
D647,272	S	10/2011	Boivin et al.
8,550,284	B1	10/2013	Morad et al.

8,840,122	B1	9/2014	Cummins	
8,944,274	B2	2/2015	Madrid	
D821,675	S	6/2018	Burns et al.	
10,005,482	B2*	6/2018	Childress .....	B62B 3/004
D822,932	S	7/2018	Burns et al.	
D869,810	S *	12/2019	Childress .....	B62B 3/005 D34/19
2004/0217238	A1	11/2004	Cochinov et al.	
2005/0193760	A1	9/2005	Moran et al.	
2005/0218615	A1	10/2005	Hu	
2005/0285360	A1	12/2005	Helin et al.	
2006/0055290	A1	3/2006	Scheib	
2007/0151308	A1	7/2007	Eisin	
2008/0116773	A1	5/2008	Van Loon et al.	
2010/0090429	A1	4/2010	Hartmann et al.	
2010/0140890	A1	6/2010	Boivin et al.	
2010/0170287	A1	7/2010	Böss	
2011/0025006	A1	2/2011	Knoppers	
2014/0021690	A1	1/2014	Burd	
2015/0091421	A1	4/2015	Van Loon	
2015/0108888	A1	4/2015	Galimberti	
2015/0251758	A1	9/2015	Vandyke et al.	
2017/0137048	A1	5/2017	Childress	
2019/0062047	A1	2/2019	Spille et al.	

\* cited by examiner

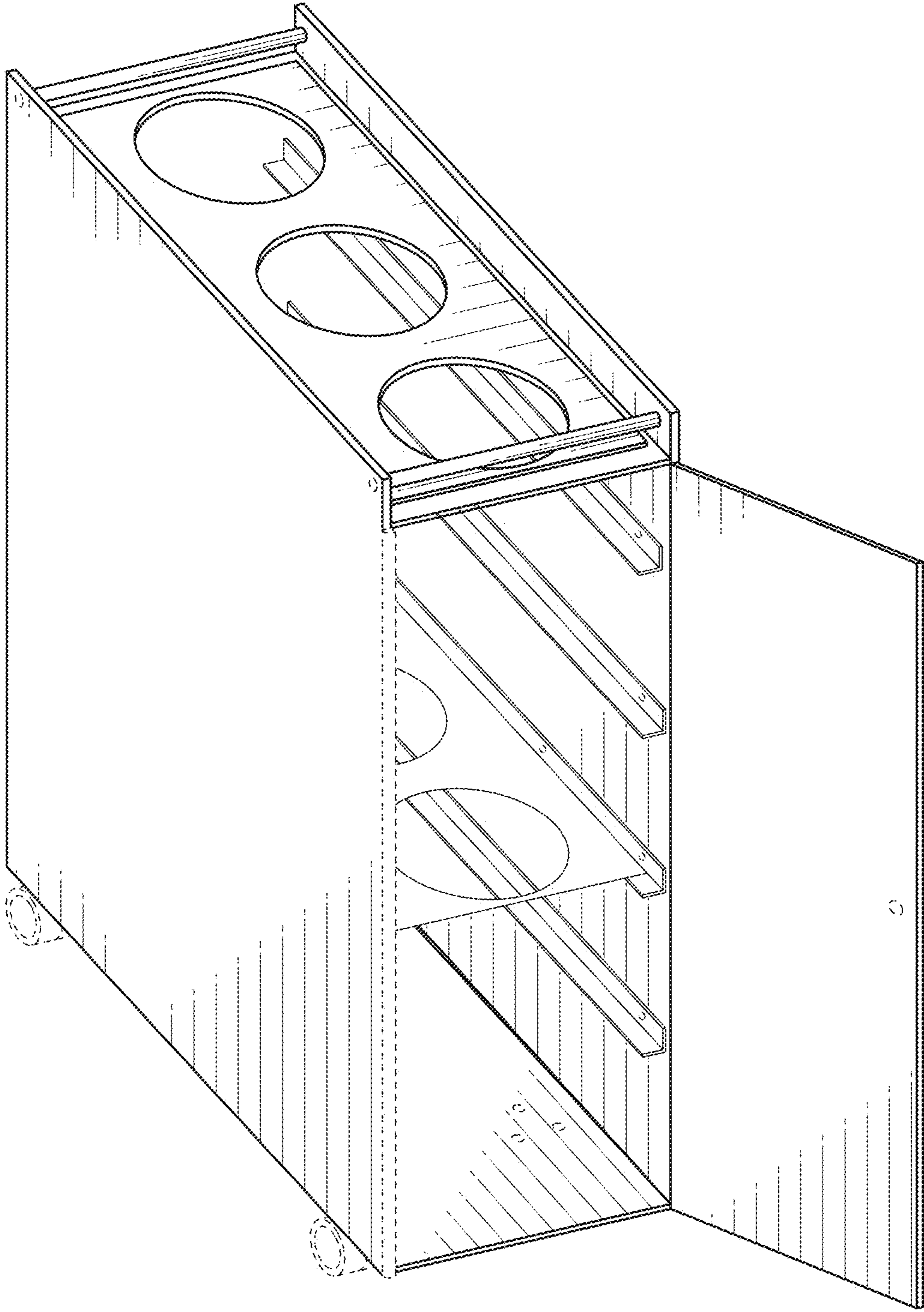


FIG. 1

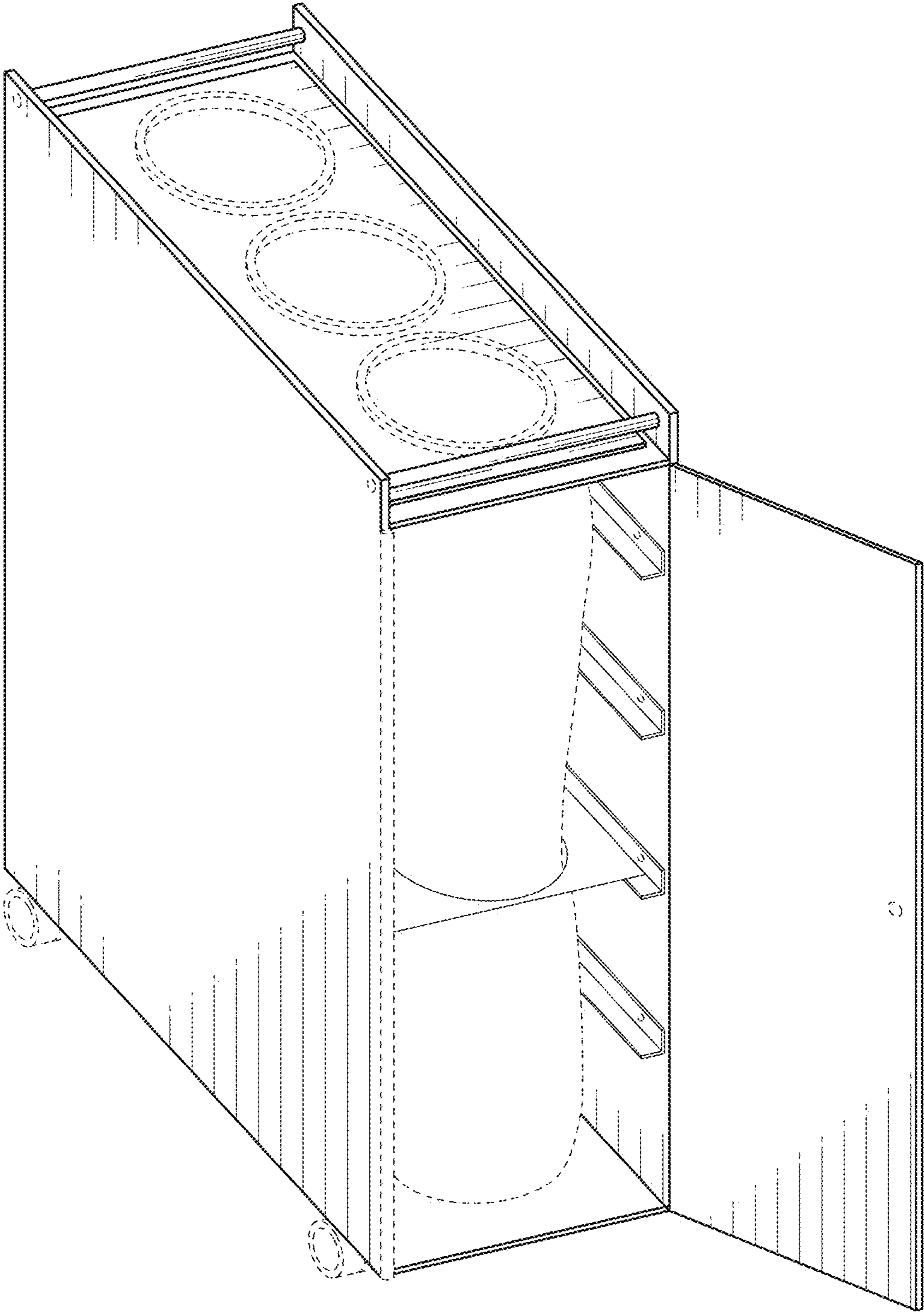


FIG. 2

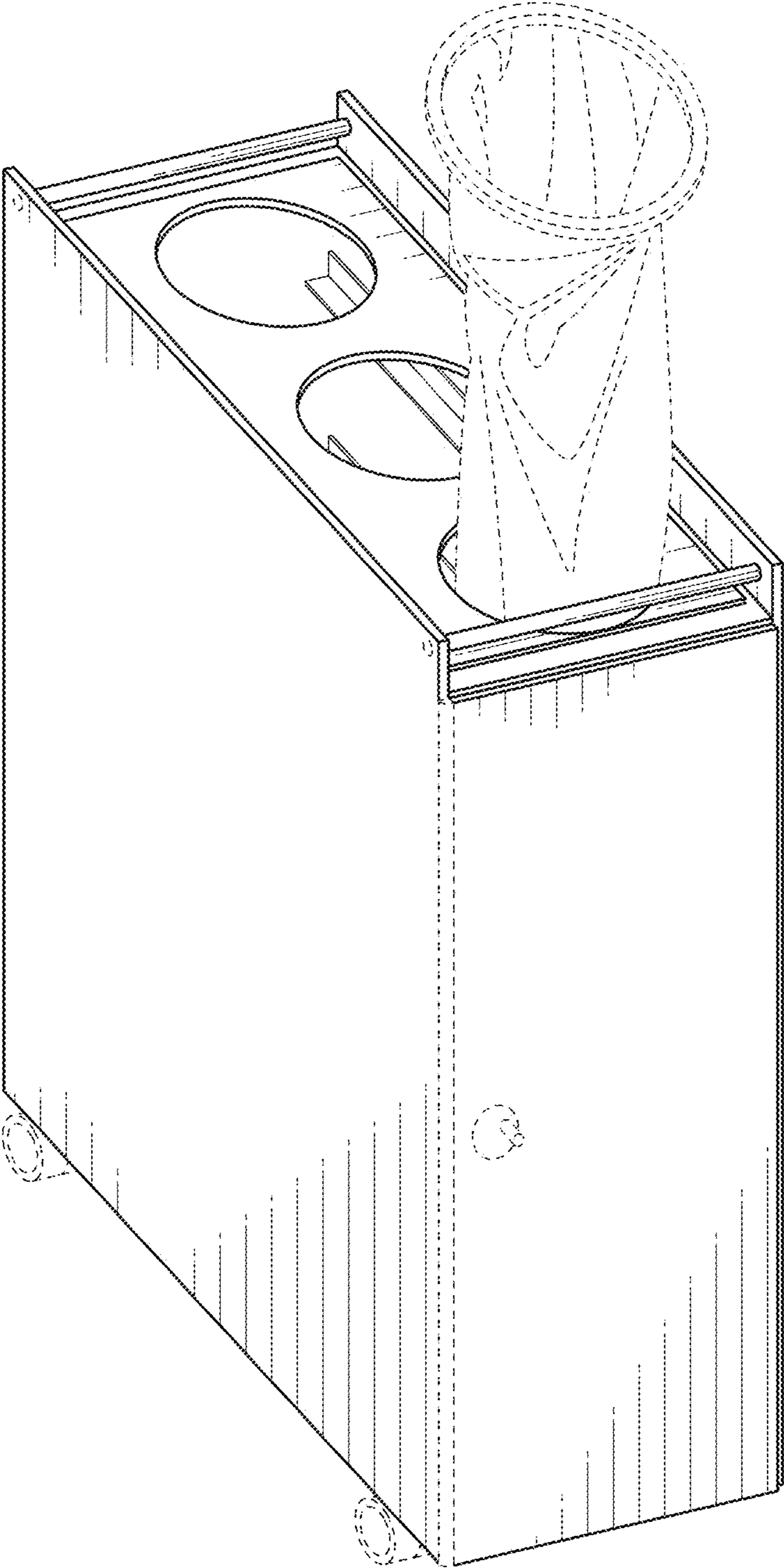


FIG. 3

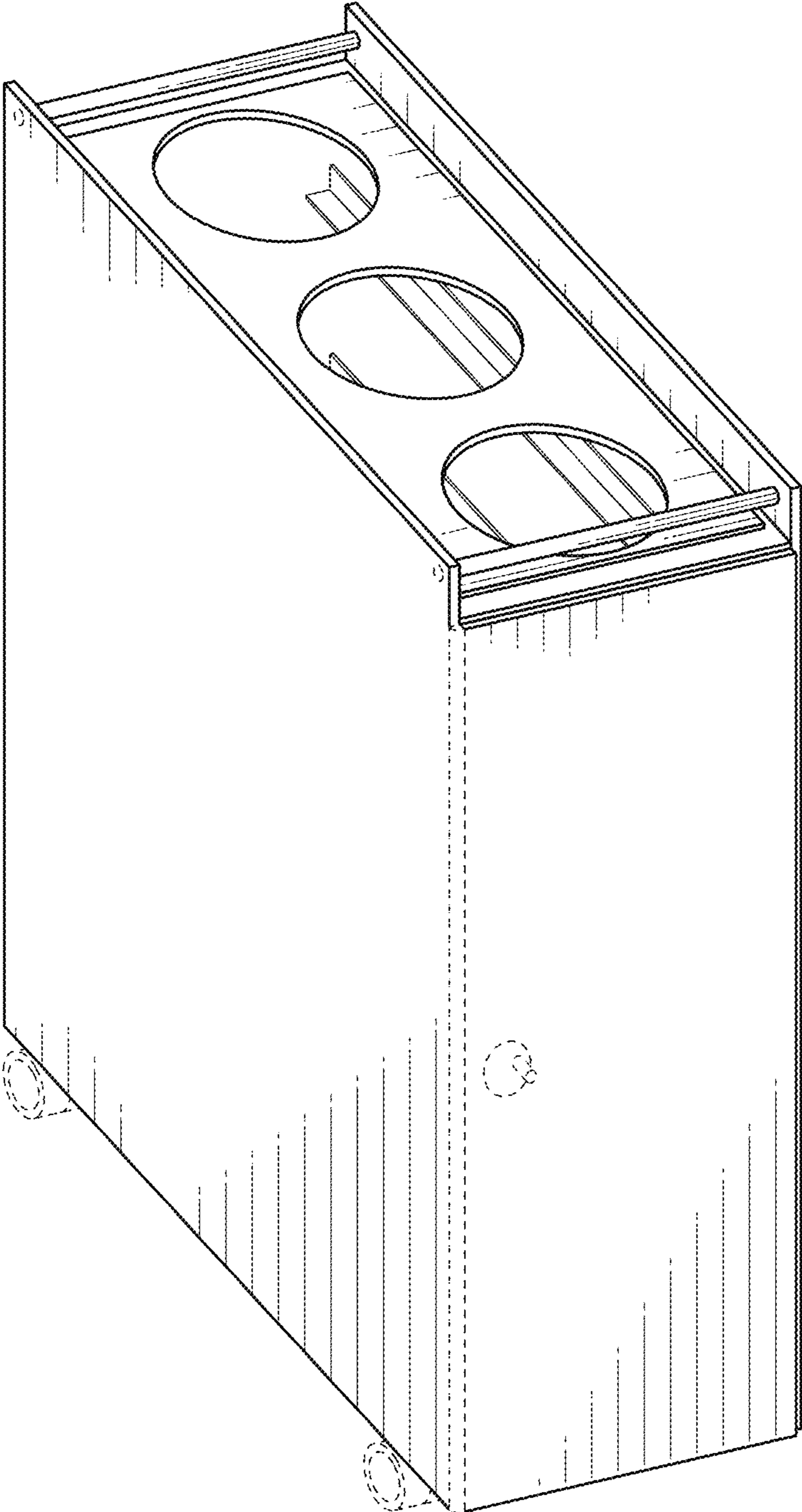


FIG. 4

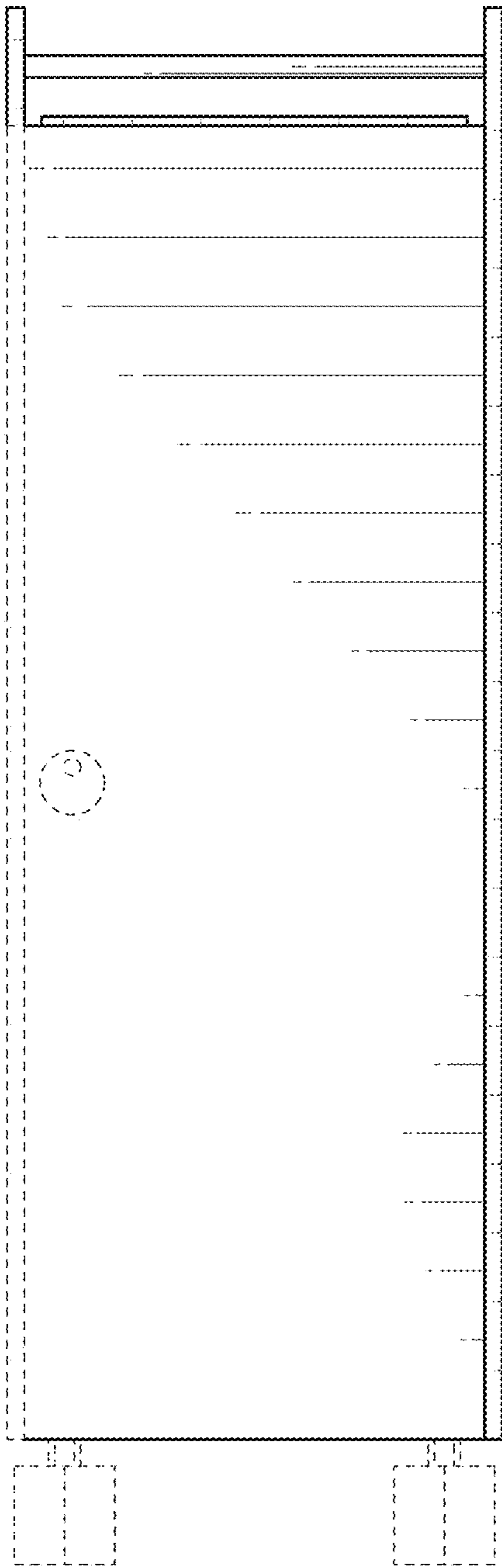


FIG. 5

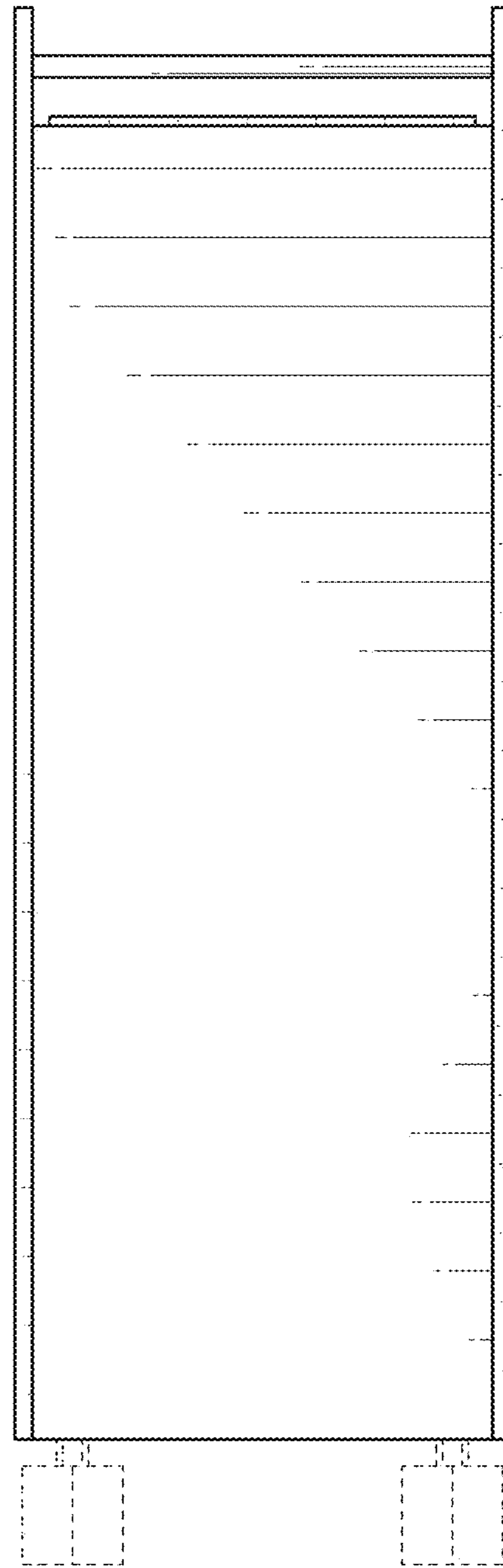


FIG. 6

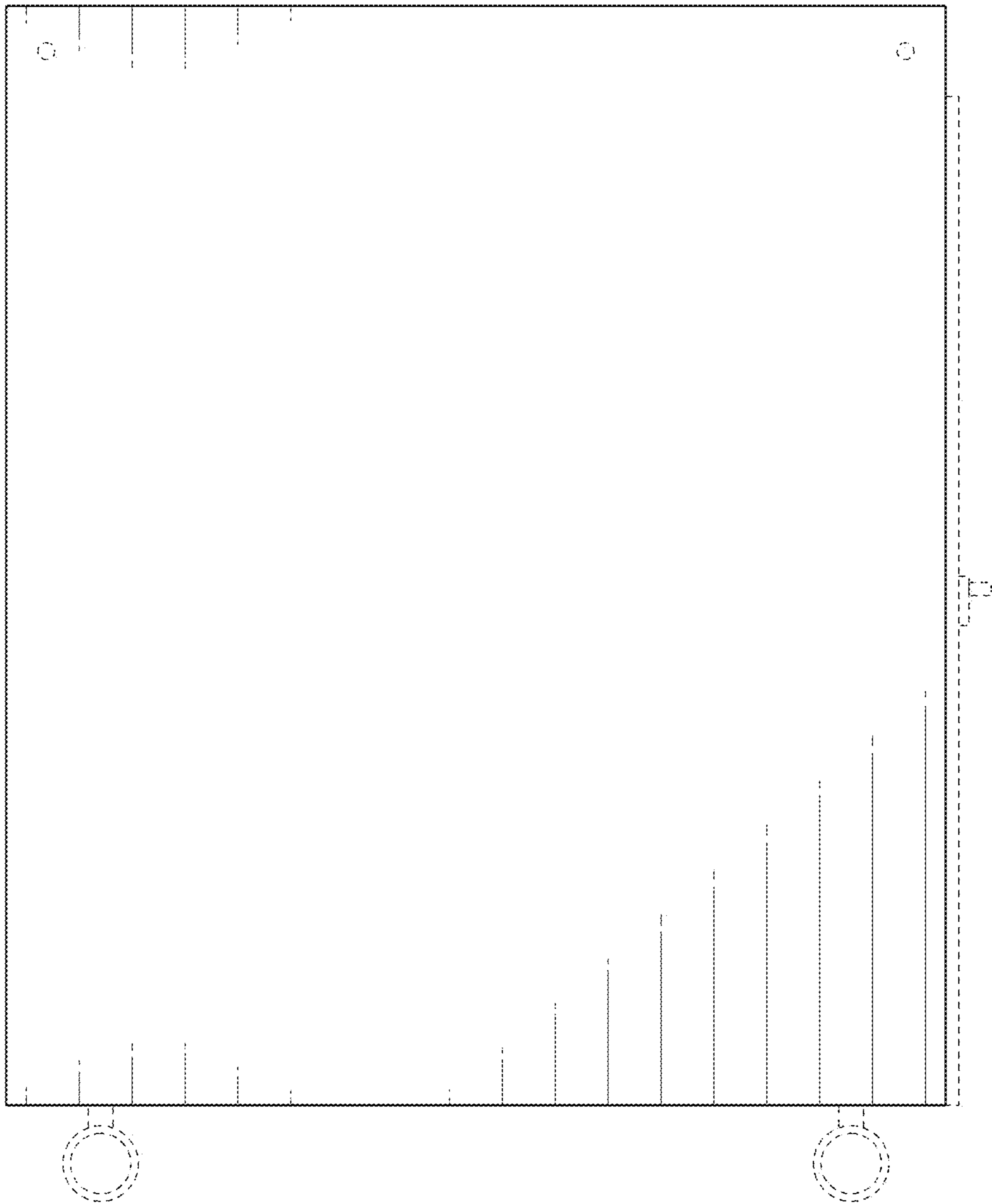


FIG. 7



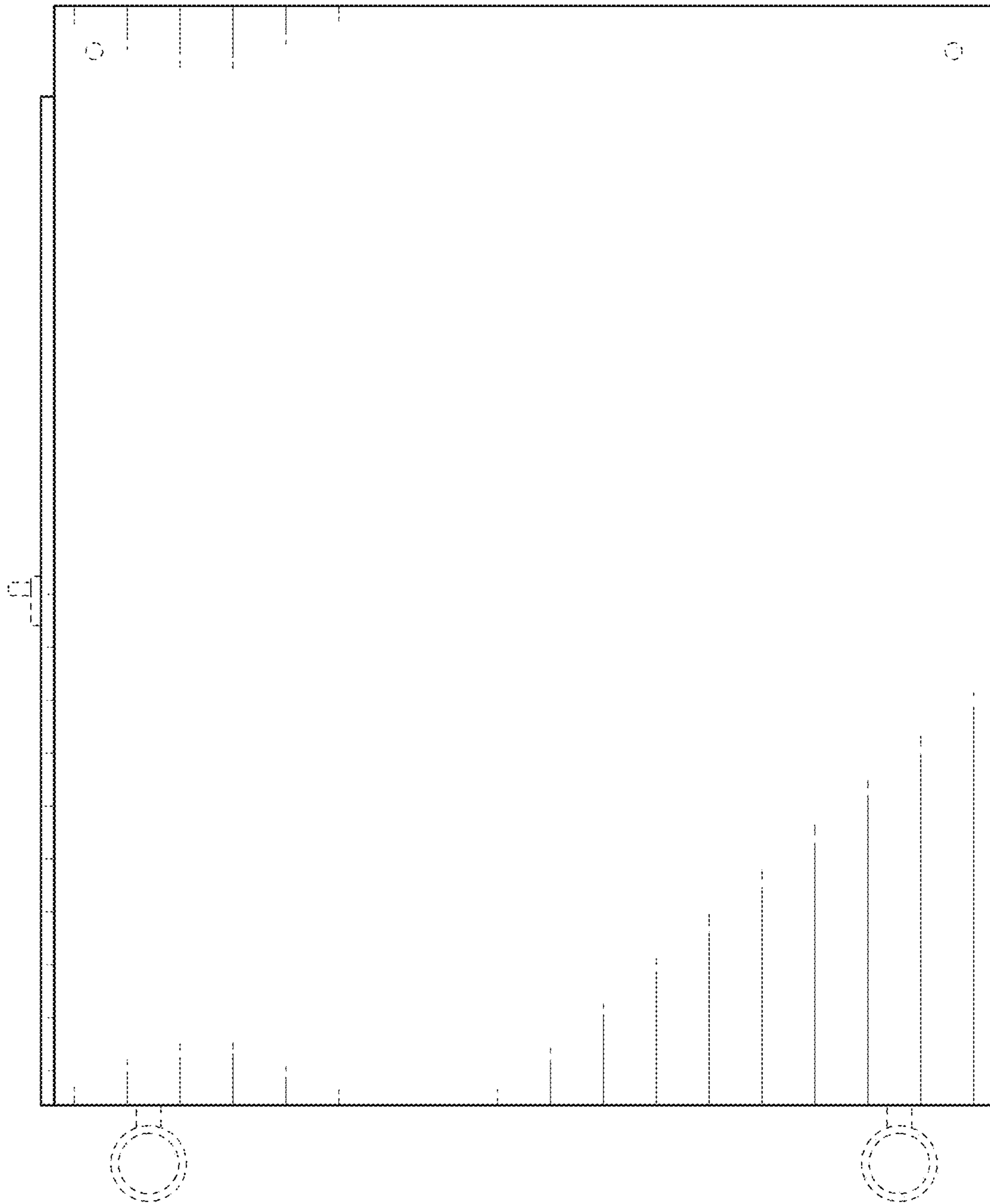


FIG. 8

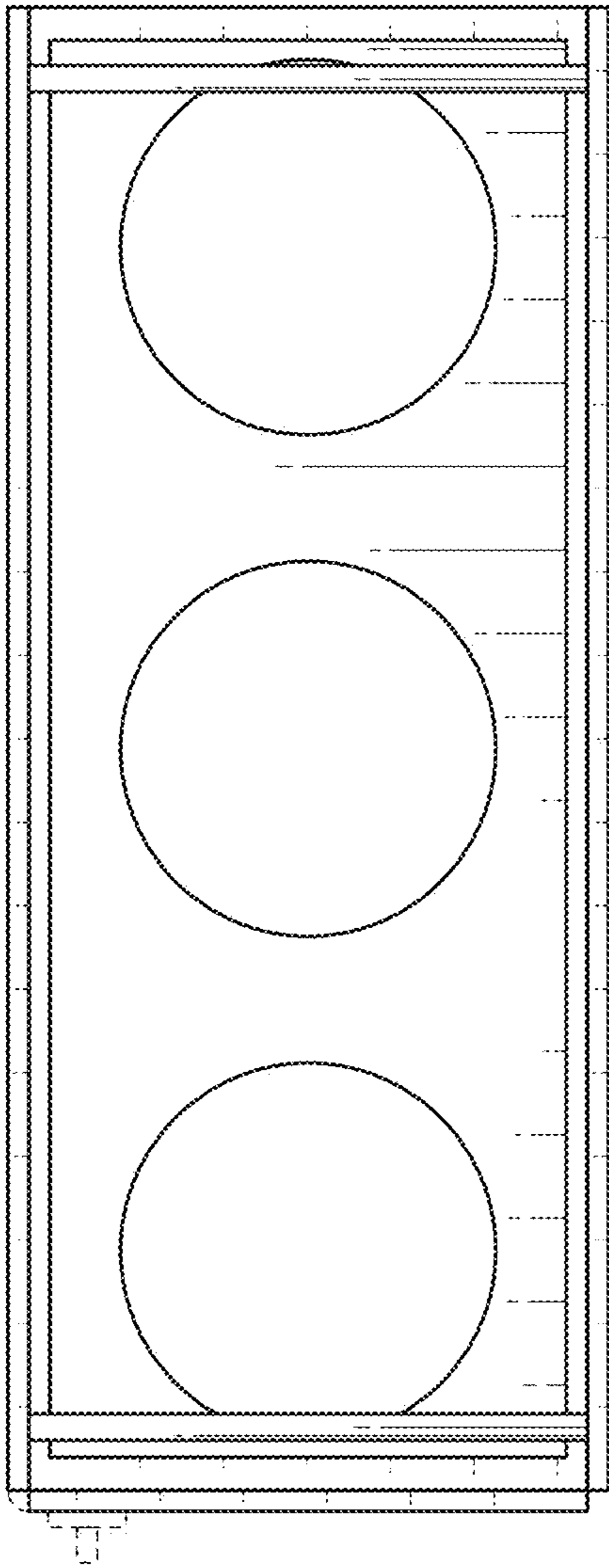


FIG. 9

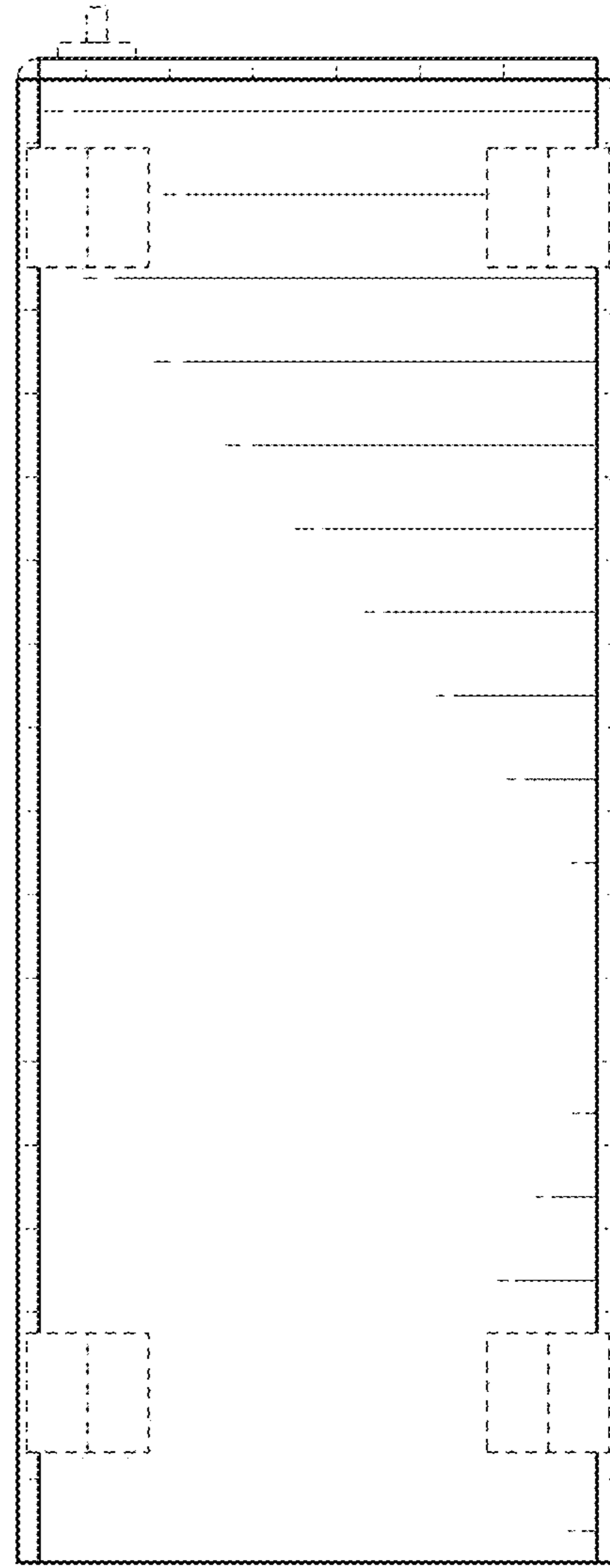


FIG. 10