

US00D902519S

(12) **United States Design Patent** (10) **Patent No.:** **US D902,519 S**  
**Dror** (45) **Date of Patent:** **\*\* Nov. 17, 2020**

(54) **COMPOSTER**  
(71) Applicant: **D. F. OMER LTD**, Tel Aviv (IL)  
(72) Inventor: **Yinon Dror**, Kfar Yona (IL)  
(73) Assignee: **D. F. OMER LTD.**, Tel Aviv (IL)  
(\*\*) Term: **15 Years**  
(21) Appl. No.: **29/735,917**  
(22) Filed: **May 26, 2020**

D352,580 S 11/1994 Cook  
D357,778 S \* 4/1995 Dalgarno ..... D34/1  
D602,222 S 10/2009 Stanford  
D624,267 S \* 9/2010 Ashby ..... D34/1  
D642,350 S 7/2011 Messalem  
D649,316 S \* 11/2011 Emond ..... D34/7  
D799,135 S 10/2017 Dror  
D799,774 S 10/2017 Dror  
D817,577 S 5/2018 Cronkhite  
D817,582 S 5/2018 Parcels  
D850,747 S 6/2019 Zhang  
D859,768 S \* 9/2019 Mazor ..... D34/1  
D889,060 S \* 6/2020 Dror ..... D34/1

\* cited by examiner

**Related U.S. Application Data**

(62) Division of application No. 29/663,248, filed on Sep. 13, 2018, now Pat. No. Des. 889,060.  
(51) **LOC (12) Cl.** ..... **09-09**  
(52) **U.S. Cl.**  
USPC ..... **D34/1**  
(58) **Field of Classification Search**  
USPC ..... D34/1-11; D15/10, 199; D22/146;  
D23/204; D21/781, 782; 220/908-911,  
220/422, 628  
CPC ..... B65F 1/1473; B65F 1/1452; B65F  
2001/1489; C05F 17/02; C05F 17/0205;  
C05F 17/0223; C05F 17/0258; C12M  
1/10; C12M 1/00; Y02P 20/145; Y02W  
30/43  
See application file for complete search history.

*Primary Examiner* — Mark A Goodwin  
(74) *Attorney, Agent, or Firm* — Troutman Pepper  
Hamilton Sanders LLP

(57) **CLAIM**

The ornamental design for a composter, as shown and described.

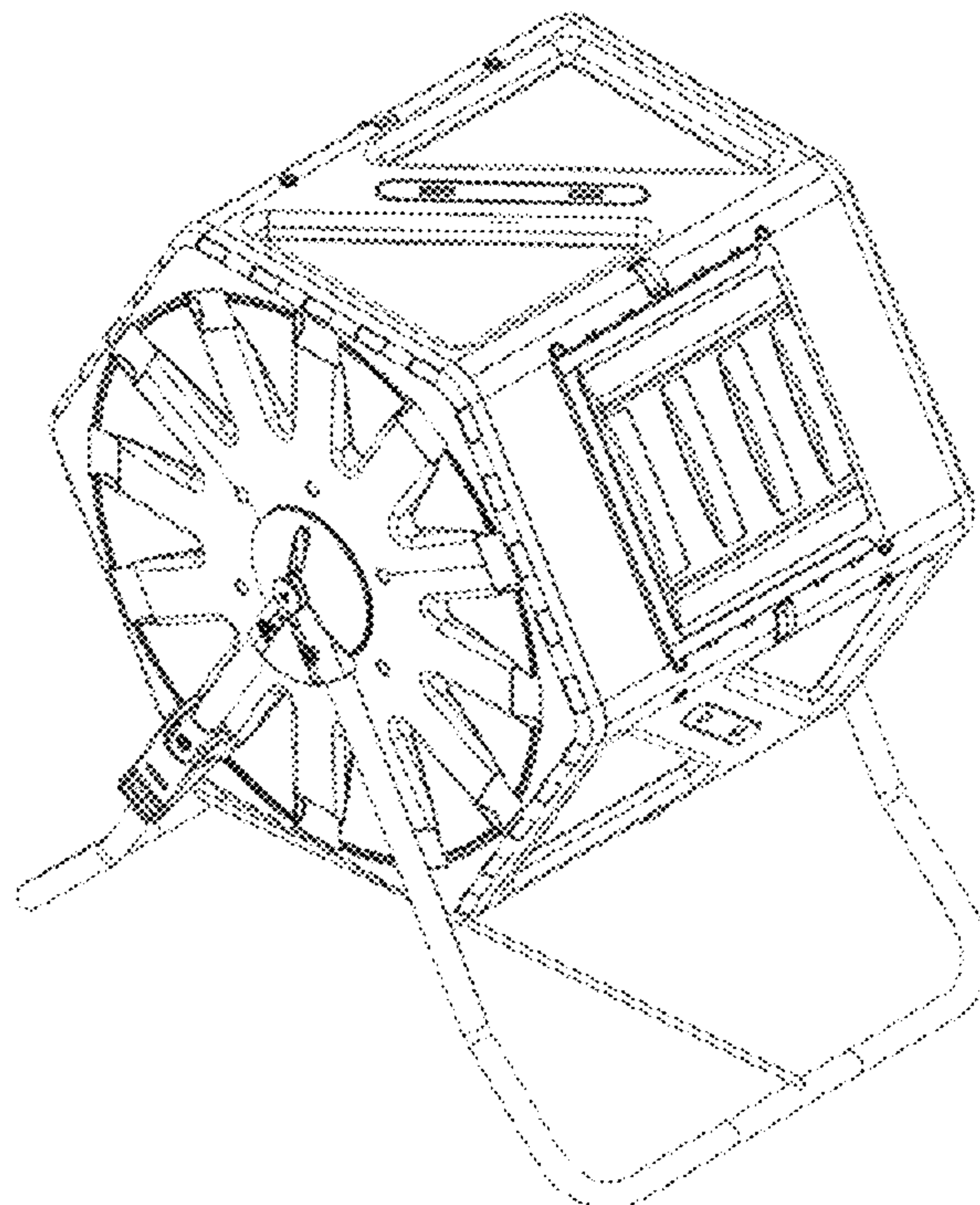
**DESCRIPTION**

FIG. 1 is a front, left, top perspective view of an example of a composter;  
FIG. 2 is a left side view of the composter;  
FIG. 3 is a rear view of the composter;  
FIG. 4 is a bottom view of the composter; and,  
FIG. 5 is a top view of the composter.

(56) **References Cited**  
U.S. PATENT DOCUMENTS

D269,046 S \* 5/1983 Faul ..... D34/4  
D332,678 S \* 1/1993 Barclay ..... D34/1

**1 Claim, 4 Drawing Sheets**



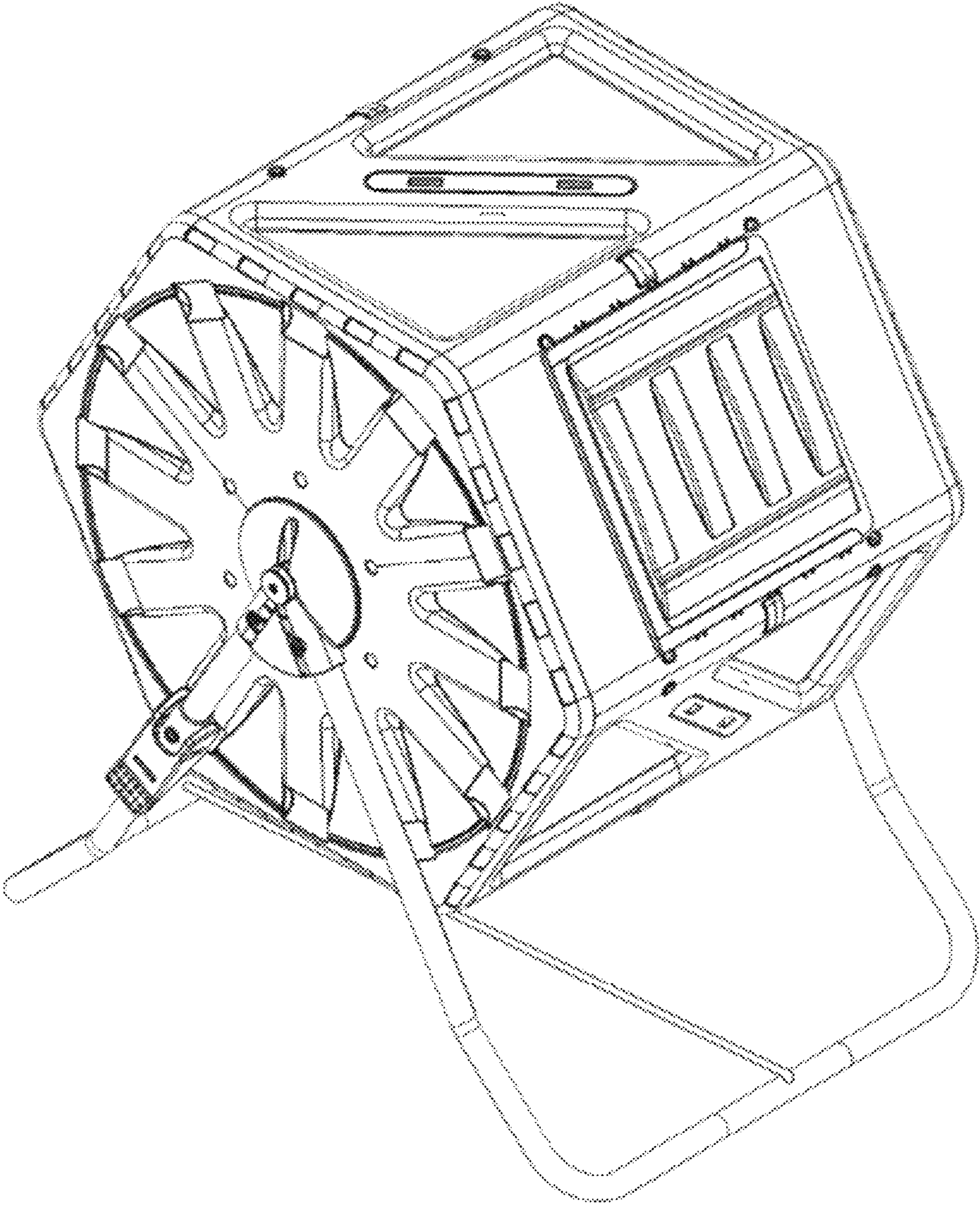


FIG. 1



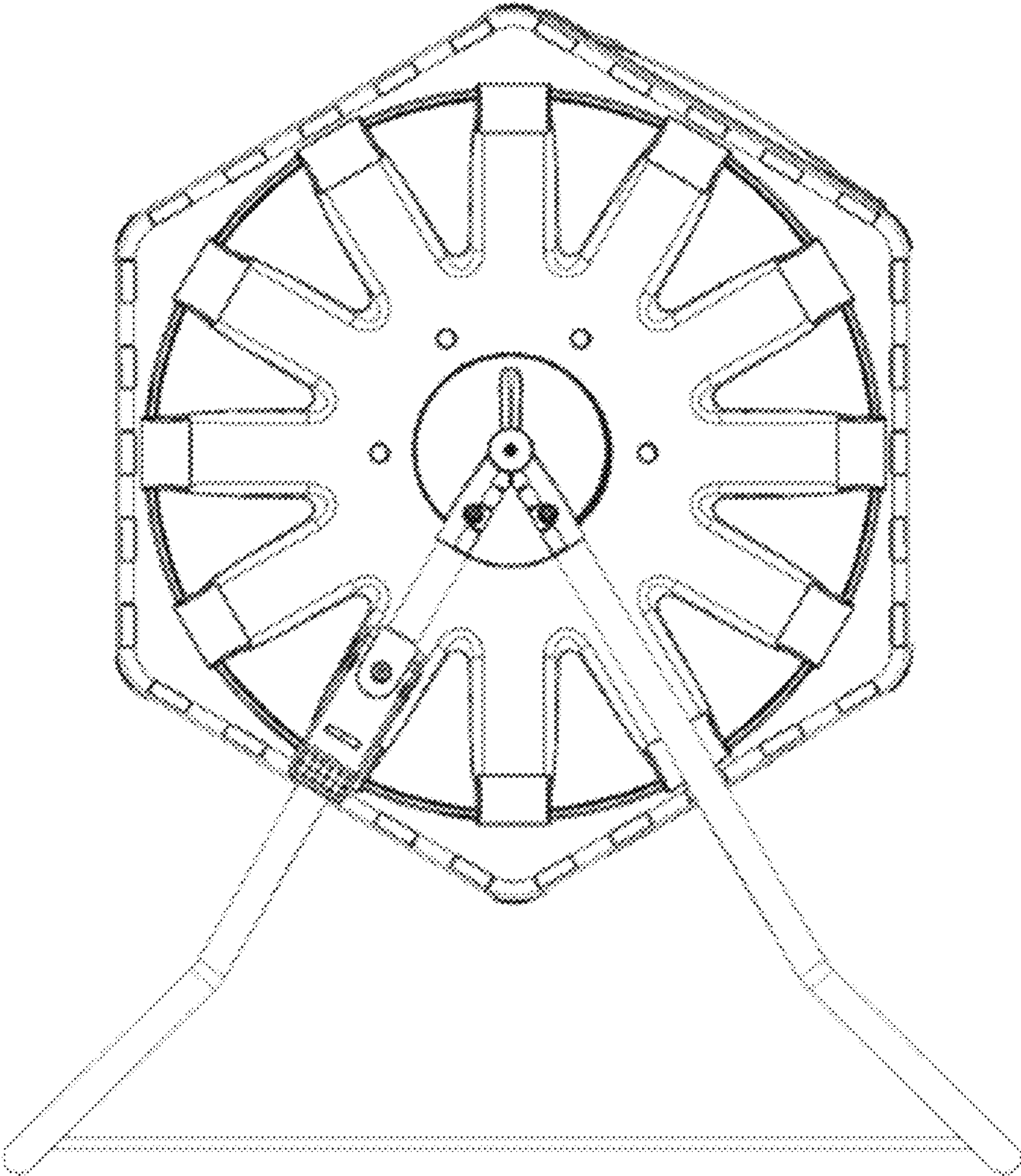


FIG. 2

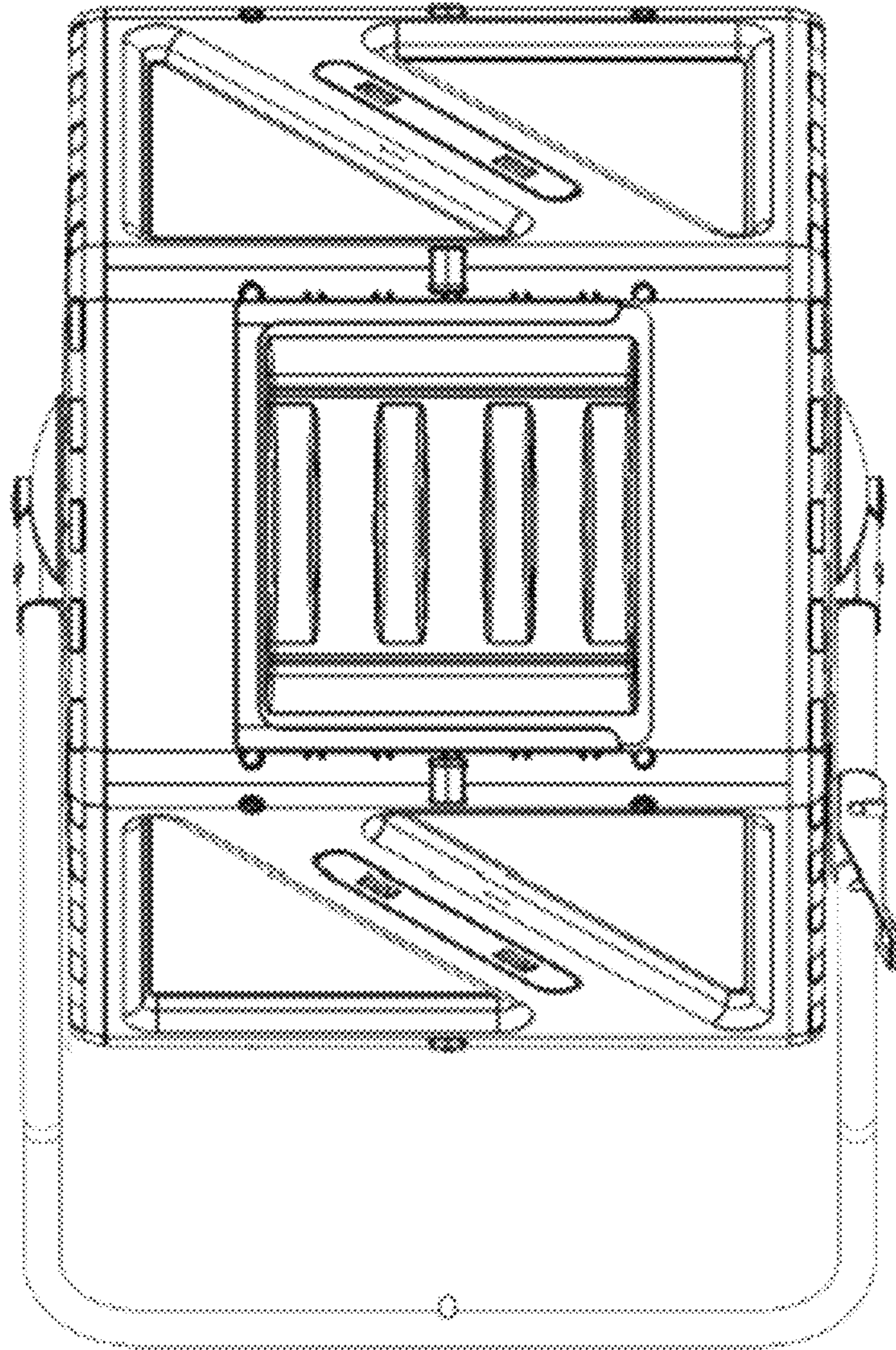


FIG. 3



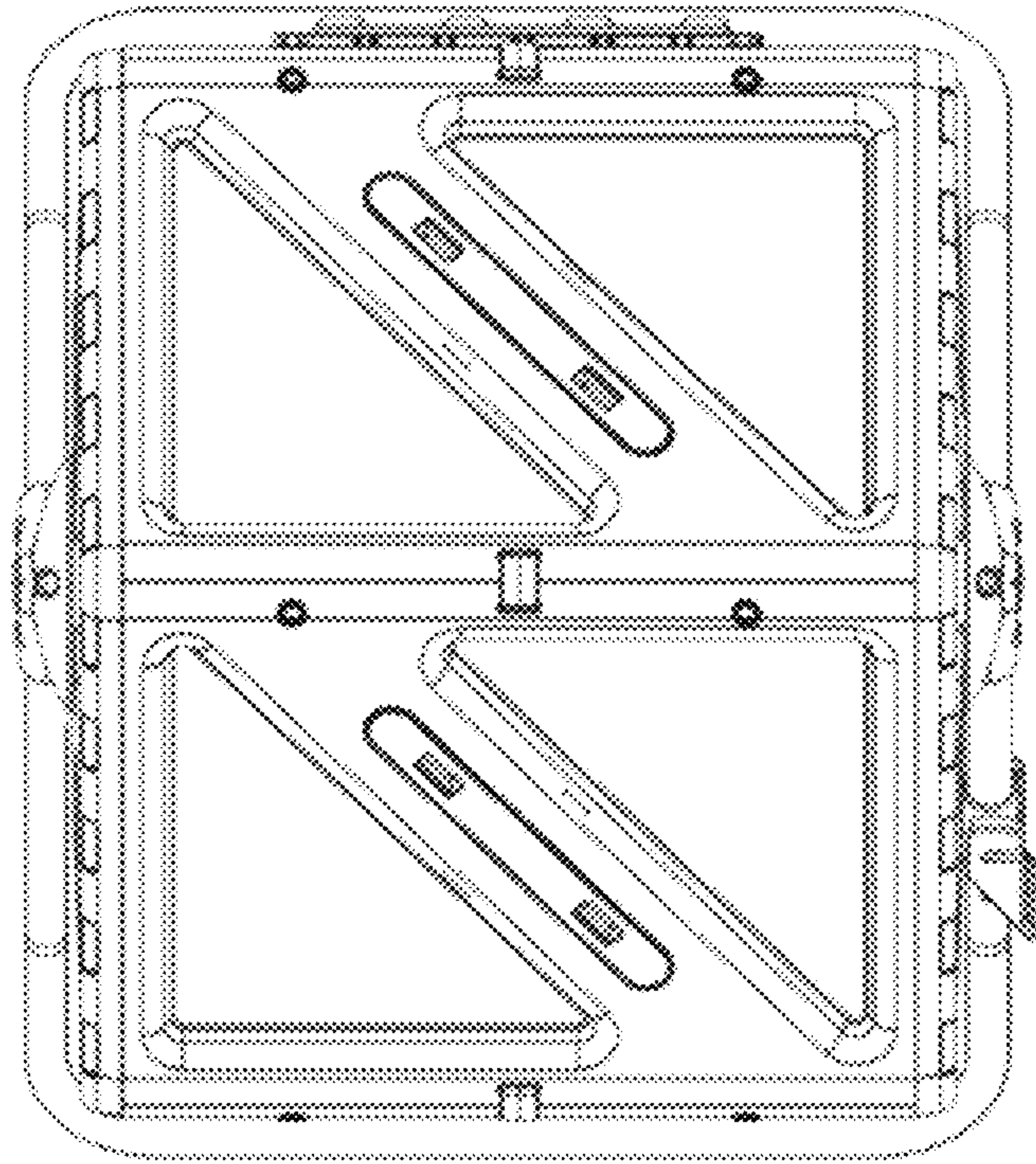


FIG. 5

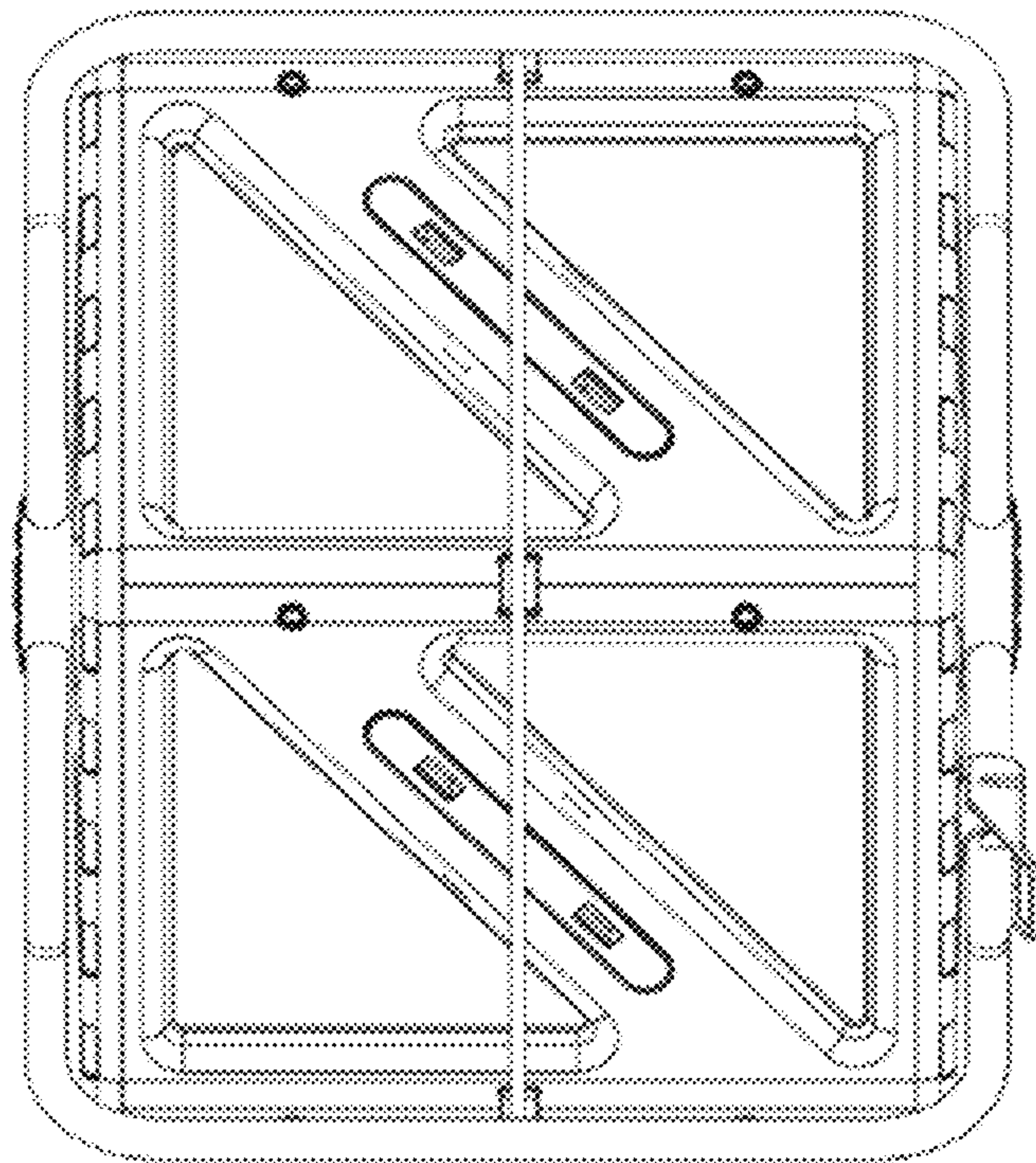


FIG. 4