



US00D902518S

(12) **United States Design Patent**  
**Dror et al.**

(10) **Patent No.:** **US D902,518 S**

(45) **Date of Patent:** **\*\* Nov. 17, 2020**

(54) **COMPOSTER**

(71) Applicant: **D.F. OMER LTD**, Kibbutz Mishmarot (IL)

(72) Inventors: **Yinon Dror**, Kfar Yona (IL); **Yaron Aviv**, Zoor Moshe (IL); **Chen Altman**, Katzir (IL)

(73) Assignee: **D.F. OMER LTD**, Kibbutz Mishmarot (IL)

(\*\*) Term: **15 Years**

(21) Appl. No.: **29/696,708**

(22) Filed: **Jun. 30, 2019**

(51) **LOC (12) Cl.** ..... **09-09**

(52) **U.S. Cl.**  
USPC ..... **D34/1**

(58) **Field of Classification Search**  
USPC ..... D34/1-11; D15/10, 199; D22/146; D23/204; D21/781, 782; 220/908-911, 220/422, 628  
CPC ..... B65F 1/1473; B65F 1/1452; B65F 2001/1489; C05F 17/02; C05F 17/0205; C05F 17/0223; C05F 17/0258; C12M 1/10; C12M 1/00; Y02P 20/145; Y02W 30/43

See application file for complete search history.

(56) **References Cited**

**U.S. PATENT DOCUMENTS**

D269,046 S	*	5/1983	Faul	.....	D34/4
D332,678 S	*	1/1993	Barclay	.....	D34/1
D352,580 S	*	11/1994	Cook	.....	D34/1
D357,778 S	*	4/1995	Dalgarno	.....	D34/1
D602,222 S	*	10/2009	Stanford	.....	D34/1

D624,267 S	*	9/2010	Ashby	.....	D34/1
D642,350 S	*	7/2011	Messalem	.....	D34/1
D649,316 S	*	11/2011	Emond	.....	D34/7
D799,135 S	*	10/2017	Dror	.....	D34/1
D799,774 S	*	10/2017	Dror	.....	D34/1
D817,577 S	*	5/2018	Cronkhite	.....	D34/1
D817,582 S	*	5/2018	Parcells	.....	D34/7
D850,747 S	*	6/2019	Zhang	.....	D34/1
D859,768 S	*	9/2019	Mazor	.....	D34/1
D889,060 S	*	6/2020	Dror	.....	D34/1

\* cited by examiner

*Primary Examiner* — Mark A Goodwin

(74) *Attorney, Agent, or Firm* — Vorys, Sater, Seymour & Pease LLP; William Klima

(57) **CLAIM**

The ornamental design for a composter, as shown and described.

**DESCRIPTION**

FIG. 1 is a front and right side view of the new design for a composter;

FIG. 2 is a front, left and bottom perspective of the new design seen in FIG. 1;

FIG. 3 is a front view of the new design seen in FIG. 1;

FIG. 4 is a rear side view of the new design seen in FIG. 1;

FIG. 5 is a left side view of the new design seen in FIG. 1;

FIG. 6 is a top view of the new design seen in FIG. 1;

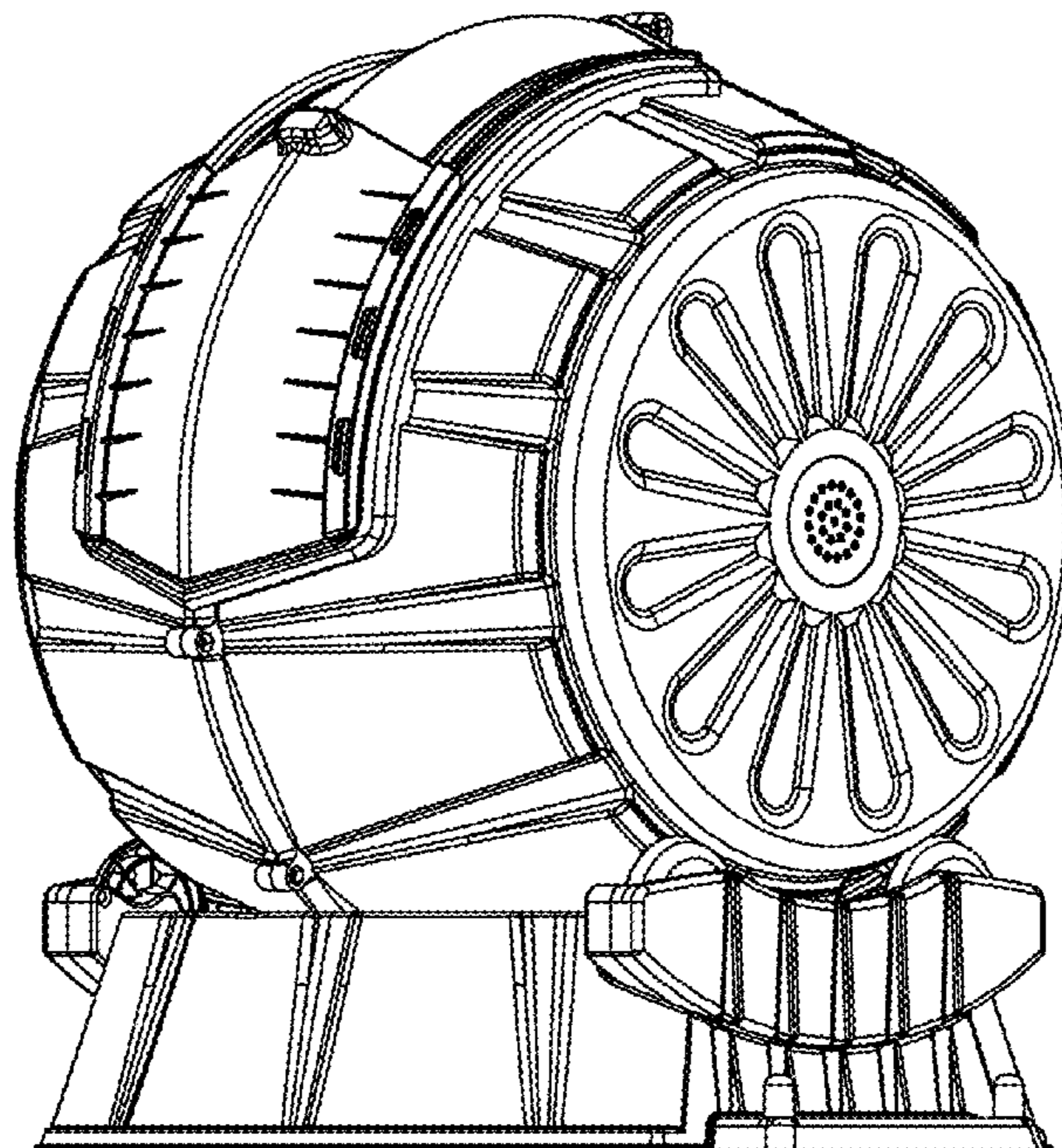
FIG. 7 is a bottom view of the new design seen in FIG. 1;

FIG. 8 is a rear and right side view of the new design seen in FIG. 1;

FIG. 9 is a rear, right and top perspective view of the new design seen in FIG. 1; and,

FIG. 10 is a right side view of the new design seen in FIG. 1.

**1 Claim, 10 Drawing Sheets**



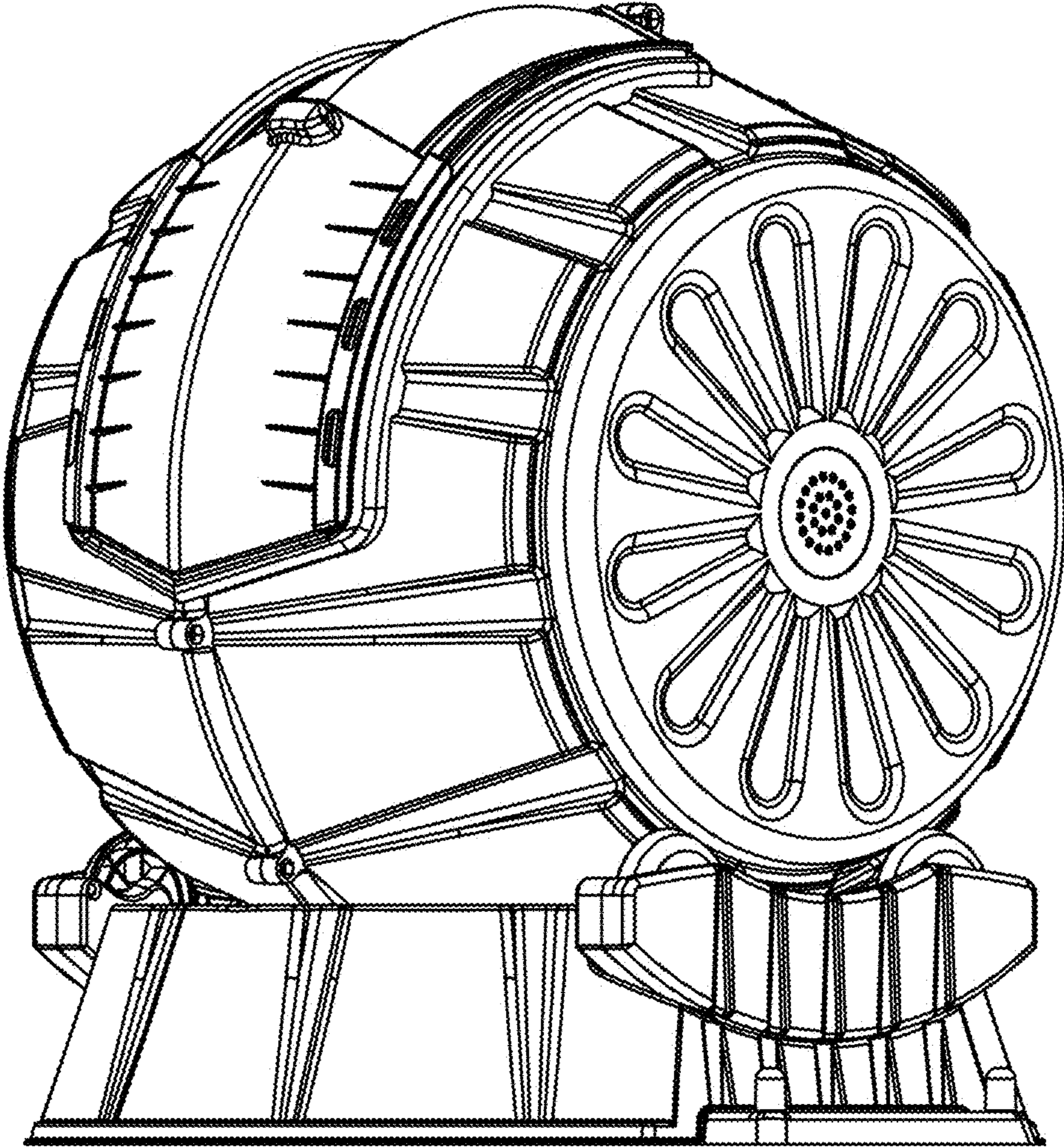


FIG. 1

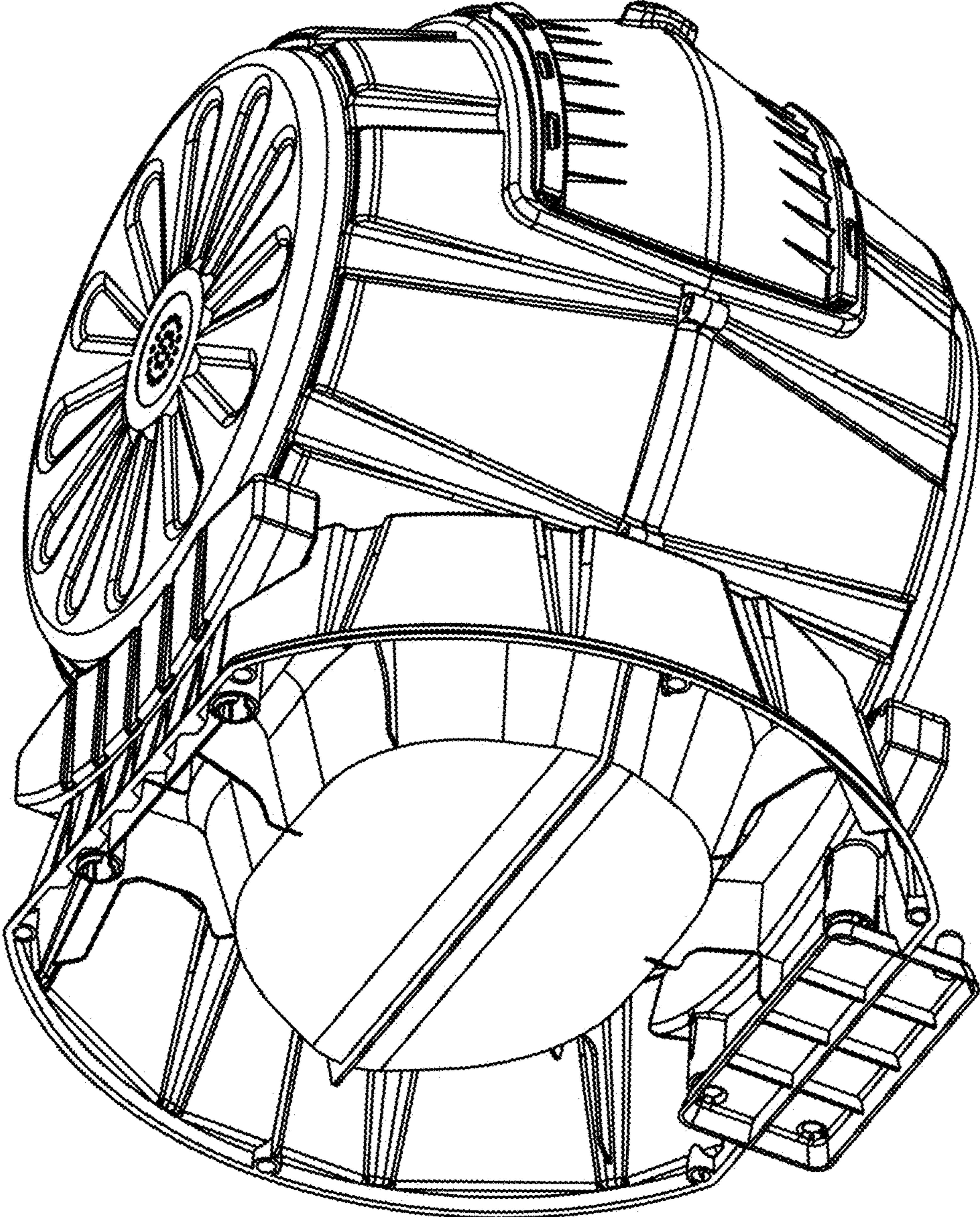


FIG. 2

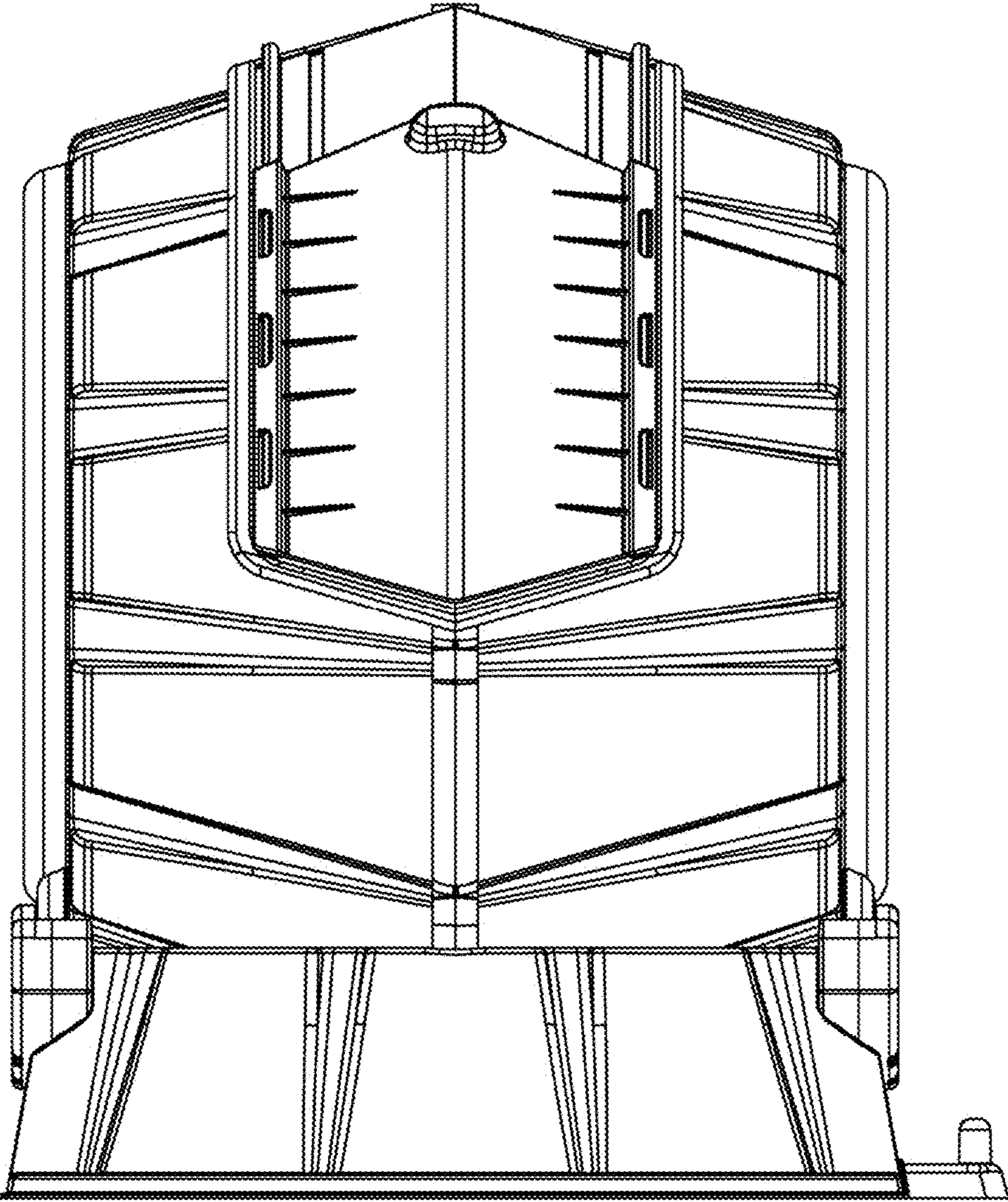


FIG. 3

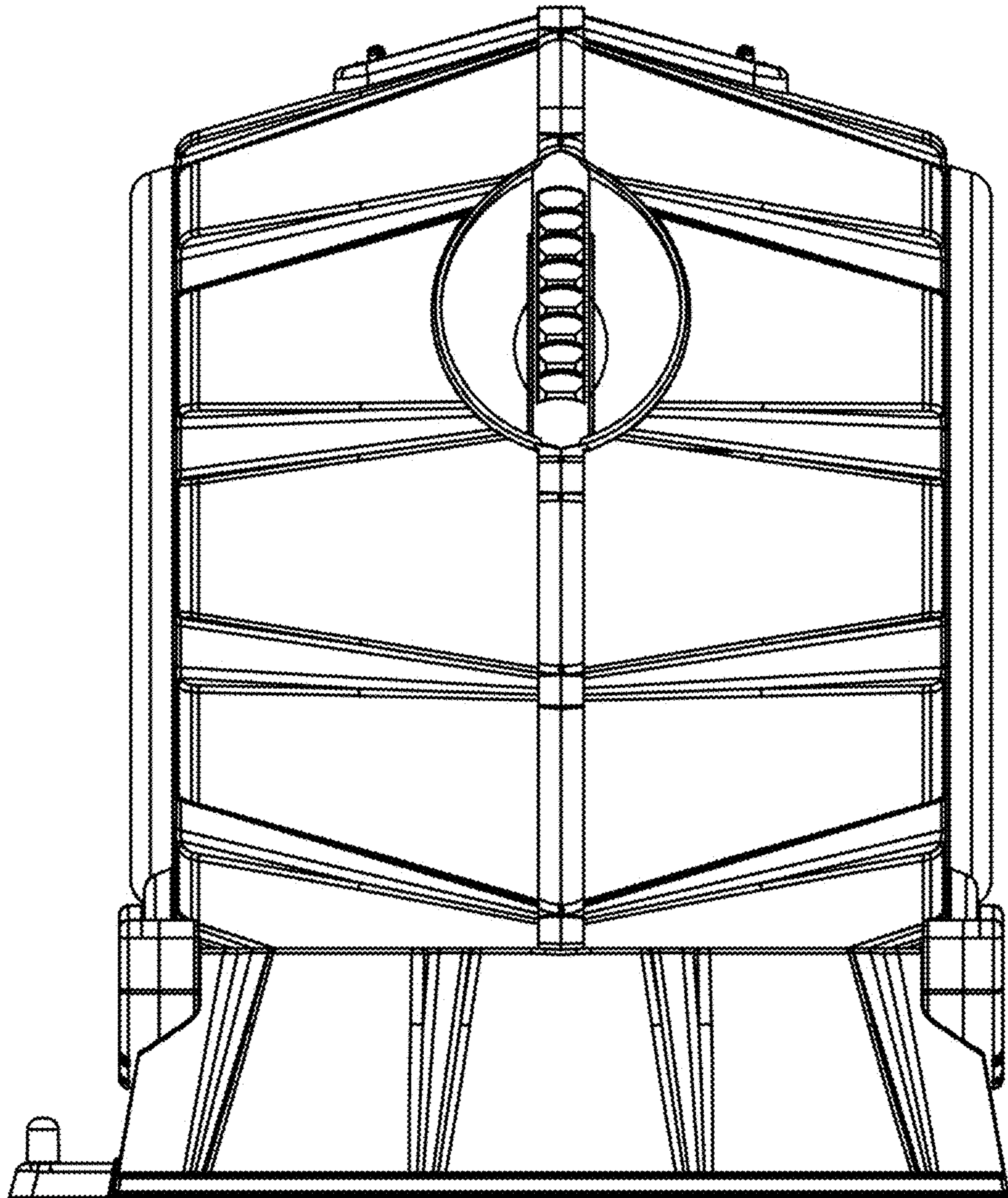


FIG. 4

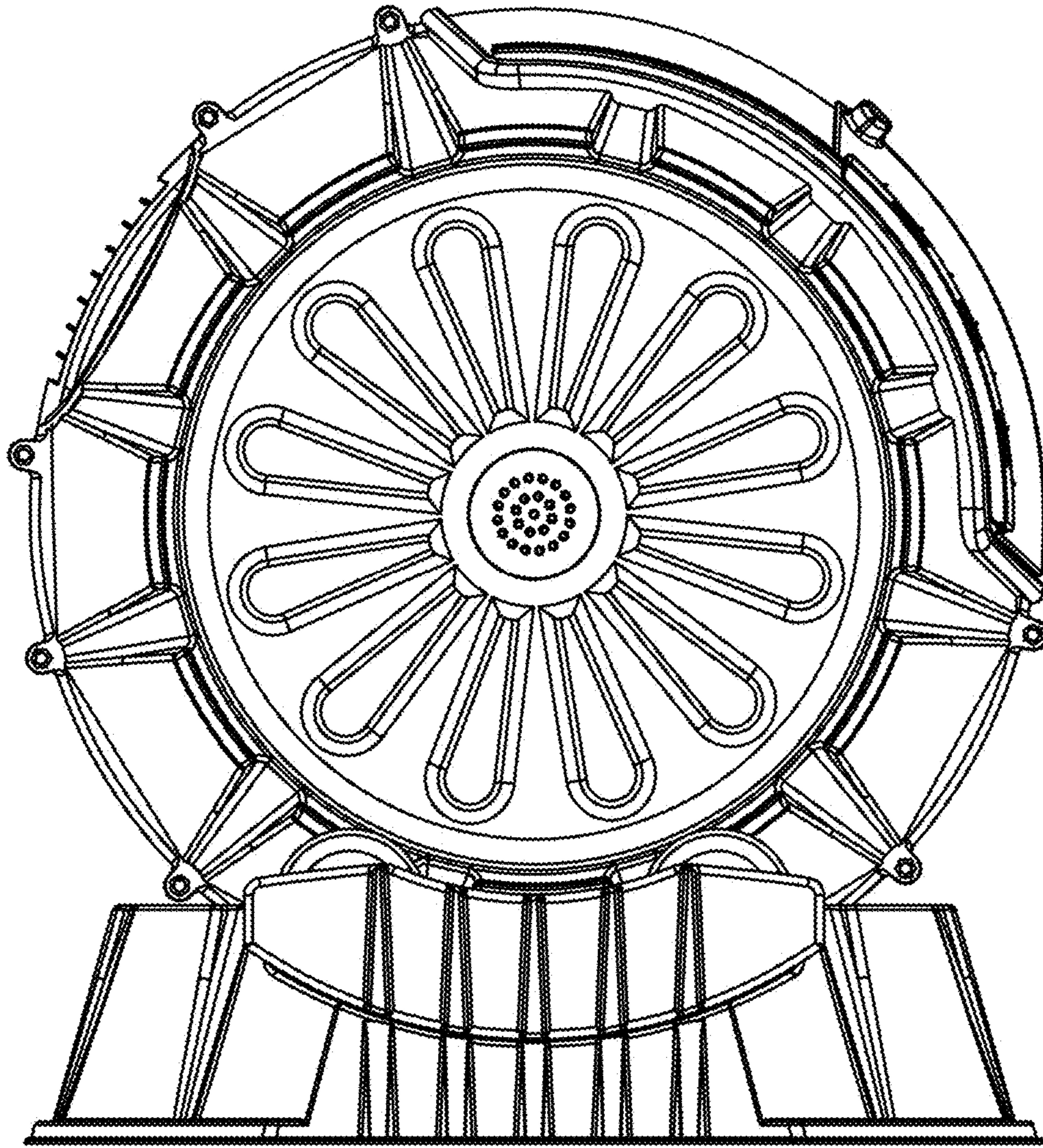


FIG. 5

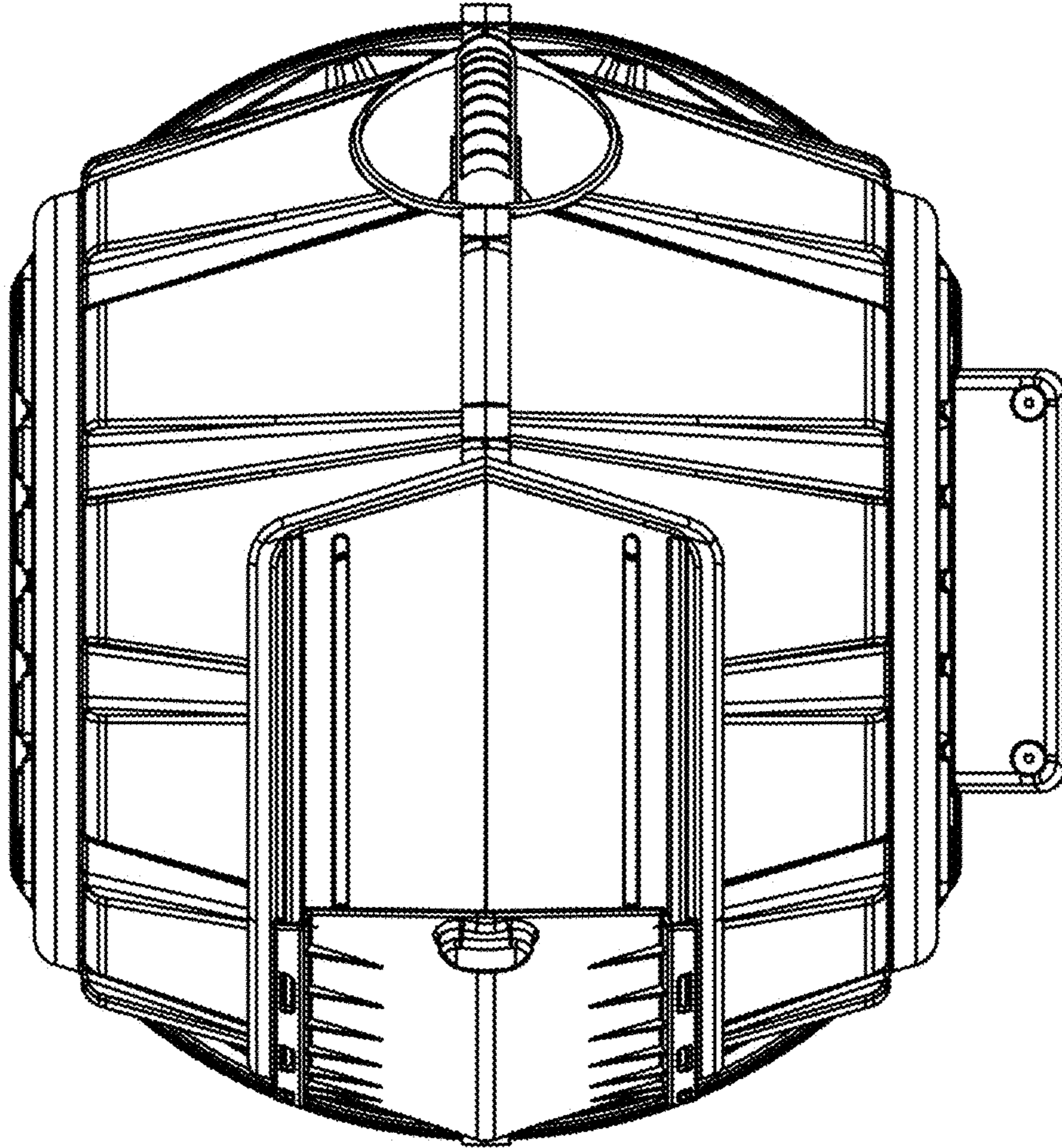


FIG. 6

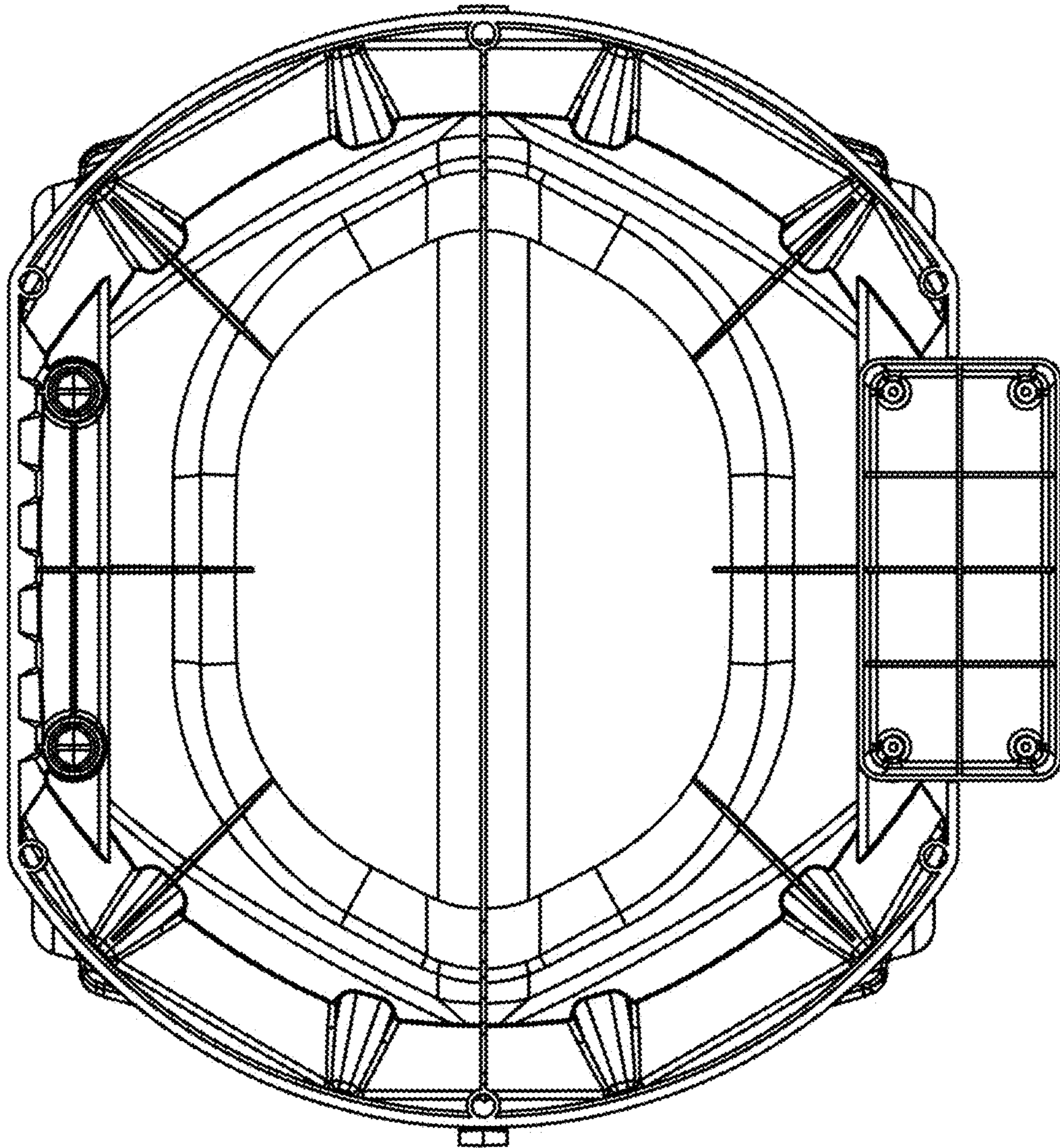


FIG. 7



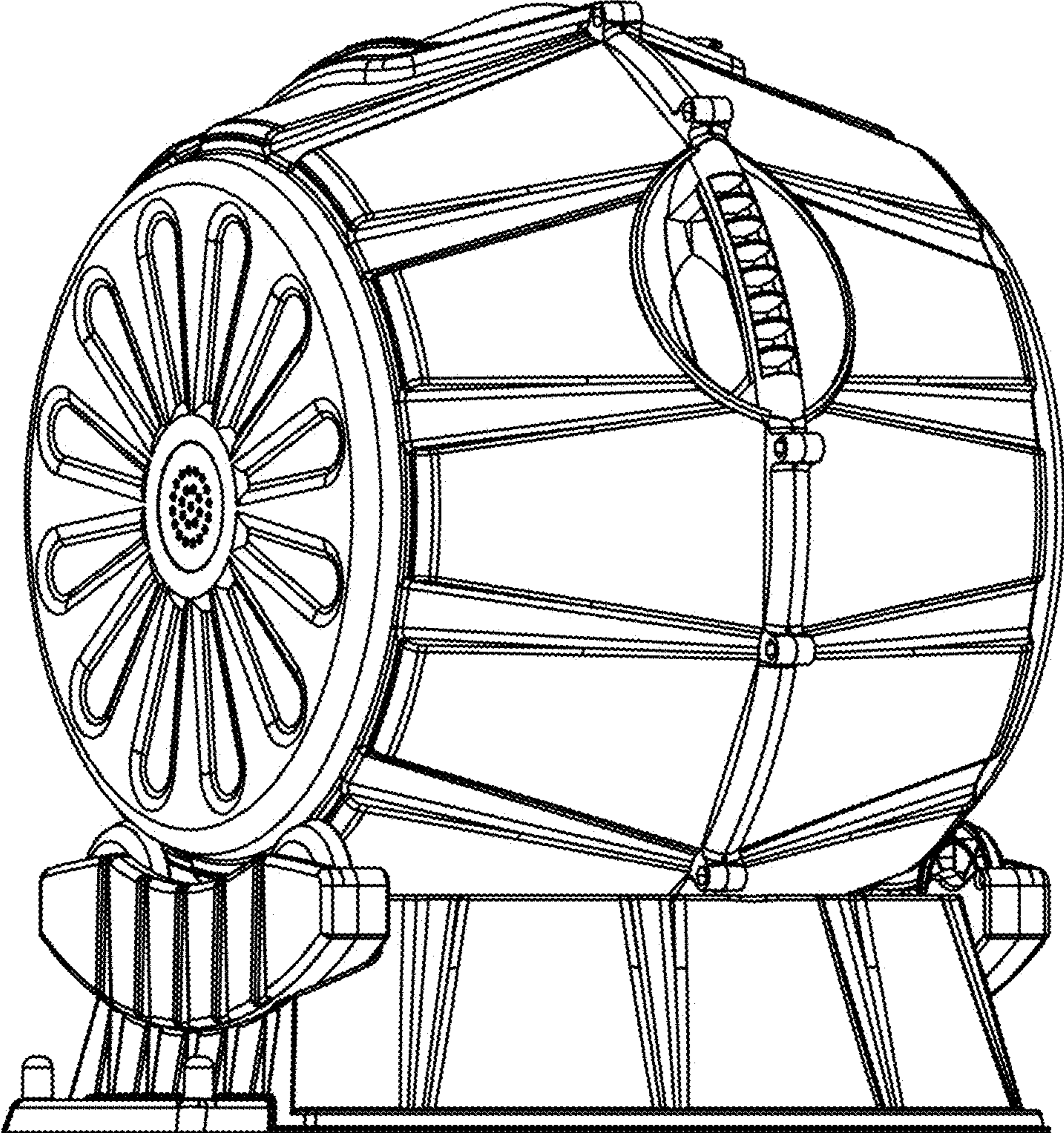


FIG. 8

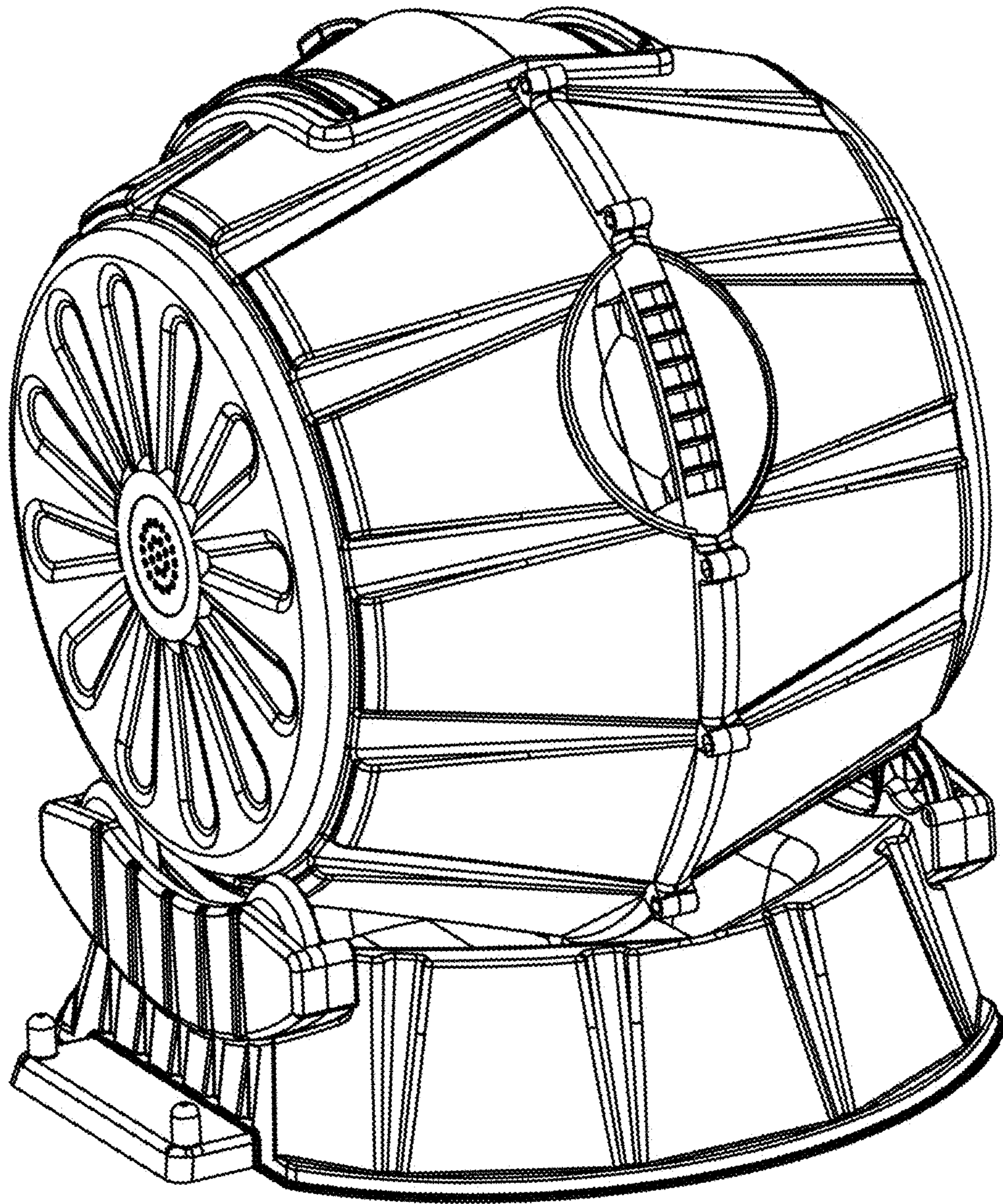


FIG. 9

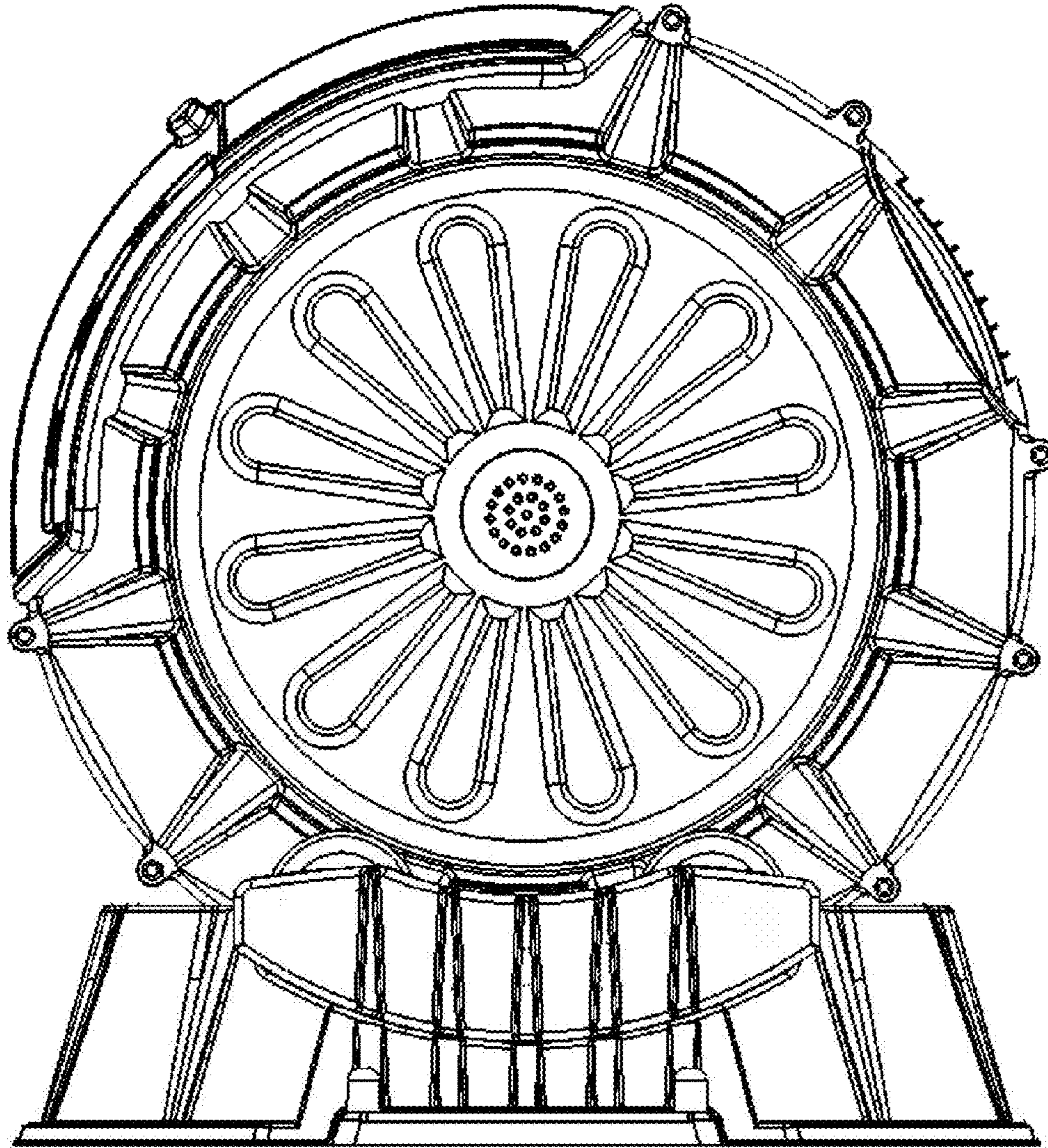


FIG. 10