



US00D902517S

(12) **United States Design Patent**  
**Lawrence**

(10) **Patent No.:** **US D902,517 S**

(45) **Date of Patent:** **\*\* Nov. 17, 2020**

(54) **BUCKET**

(71) Applicant: **No Buffet Here, LLC**, McLean, VA (US)

(72) Inventor: **Karen Lawrence**, McLean, VA (US)

(73) Assignee: **NO BUFFET HERE, LLC**, McLean, VA (US)

(\*\*) Term: **15 Years**

(21) Appl. No.: **29/721,306**

(22) Filed: **Jan. 20, 2020**

(51) **LOC (12) Cl.** ..... **07-05**

(52) **U.S. Cl.**  
USPC ..... **D32/53**

(58) **Field of Classification Search**  
USPC ..... D32/53, 53.1  
CPC ..... A01K 97/05; A01K 97/04  
See application file for complete search history.

(56) **References Cited**

**U.S. PATENT DOCUMENTS**

2,297,843	A *	10/1942	Sharpnack	.....	43/56
3,955,306	A *	5/1976	Handa	.....	A01K 97/05
					43/56
4,606,143	A *	8/1986	Murphy, Jr.	.....	A01K 97/05
					43/56

D462,737	S *	9/2002	Lipari	.....	D22/136
6,711,849	B1 *	3/2004	Moretti	.....	A01K 97/02
					43/44.99
7,225,583	B1 *	6/2007	Stacy	.....	A01K 85/01
					43/17.5
D785,129	S *	4/2017	Humphreys, Jr.	.....	D22/136
2004/0093787	A1 *	5/2004	Kutzner	.....	A01K 97/02
					43/44.99
2016/0212983	A1 *	7/2016	Boudreau	.....	A01K 97/02
2020/0045948	A1 *	2/2020	Leeper	.....	A01K 97/05

\* cited by examiner

*Primary Examiner* — Michael A. Pratt

(74) *Attorney, Agent, or Firm* — WPAT, PC

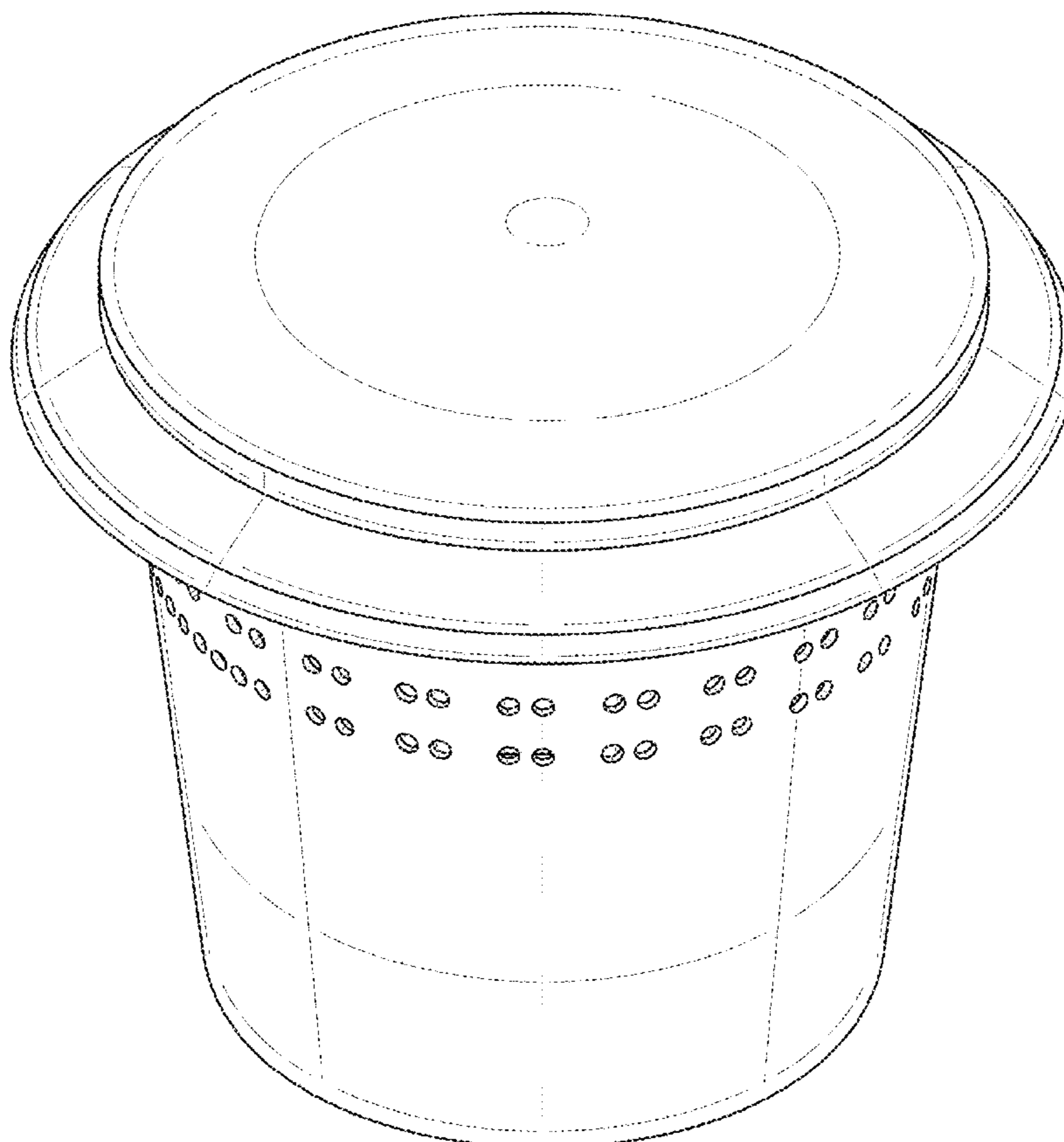
(57) **CLAIM**

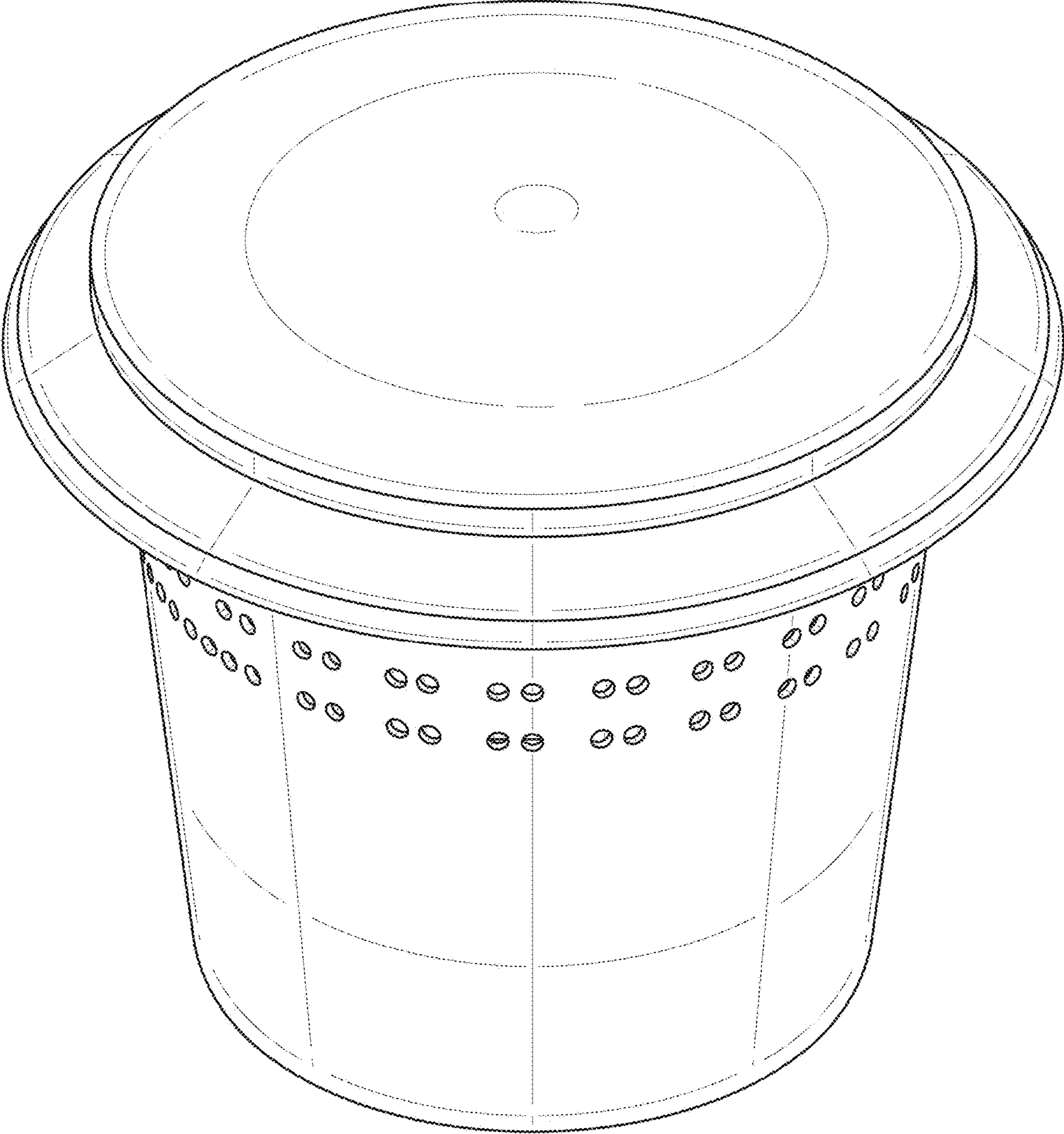
The ornamental design for a bucket, as shown and described.

**DESCRIPTION**

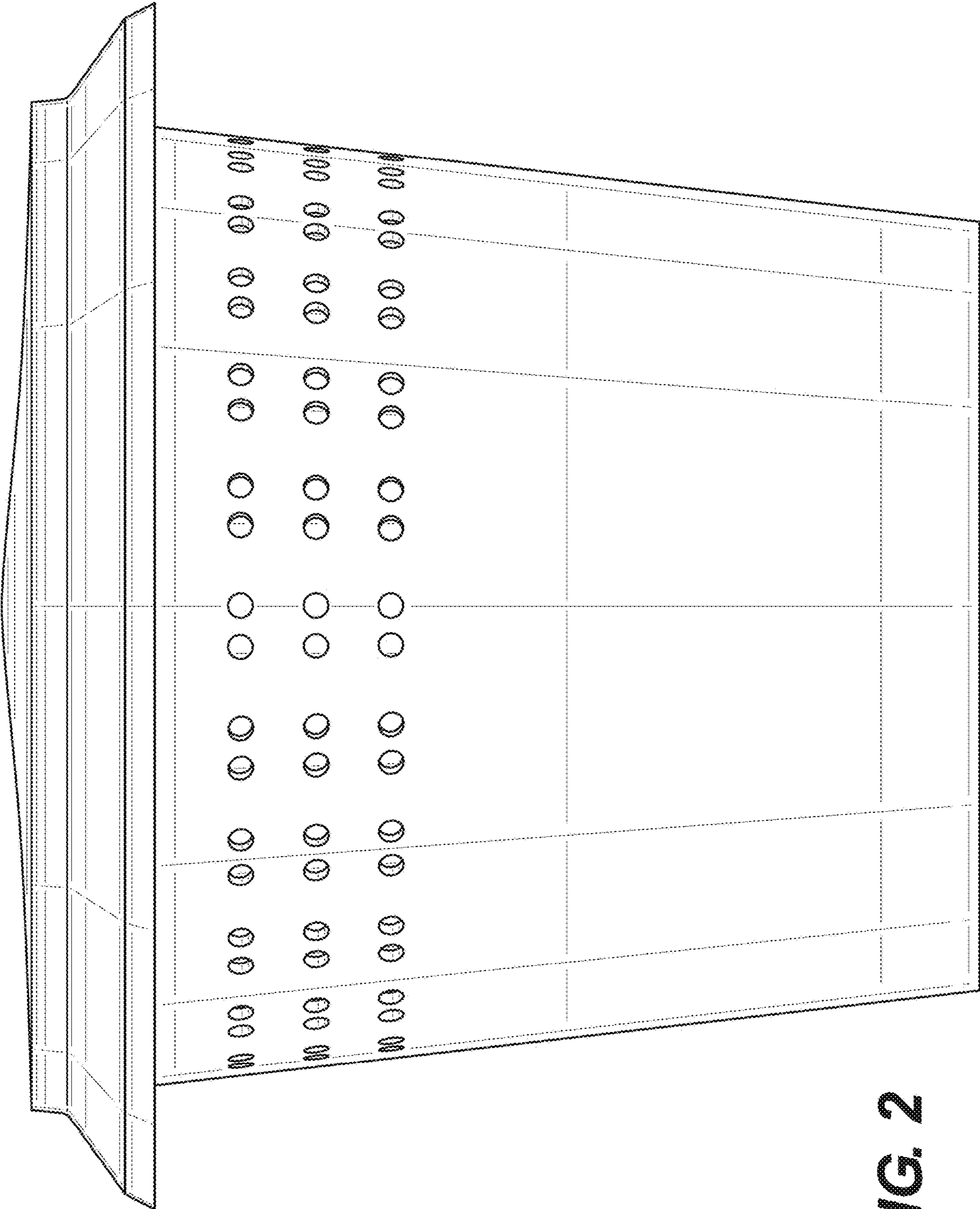
FIG. 1 is a perspective view of a bucket showing my new design;  
FIG. 2 is a front view thereof;  
FIG. 3 is a rear view thereof;  
FIG. 4 is a left side view thereof;  
FIG. 5 is a right side view thereof;  
FIG. 6 is a top view thereof; and,  
FIG. 7 is a bottom view thereof.

**1 Claim, 7 Drawing Sheets**





**FIG. 1**



**FIG. 2**

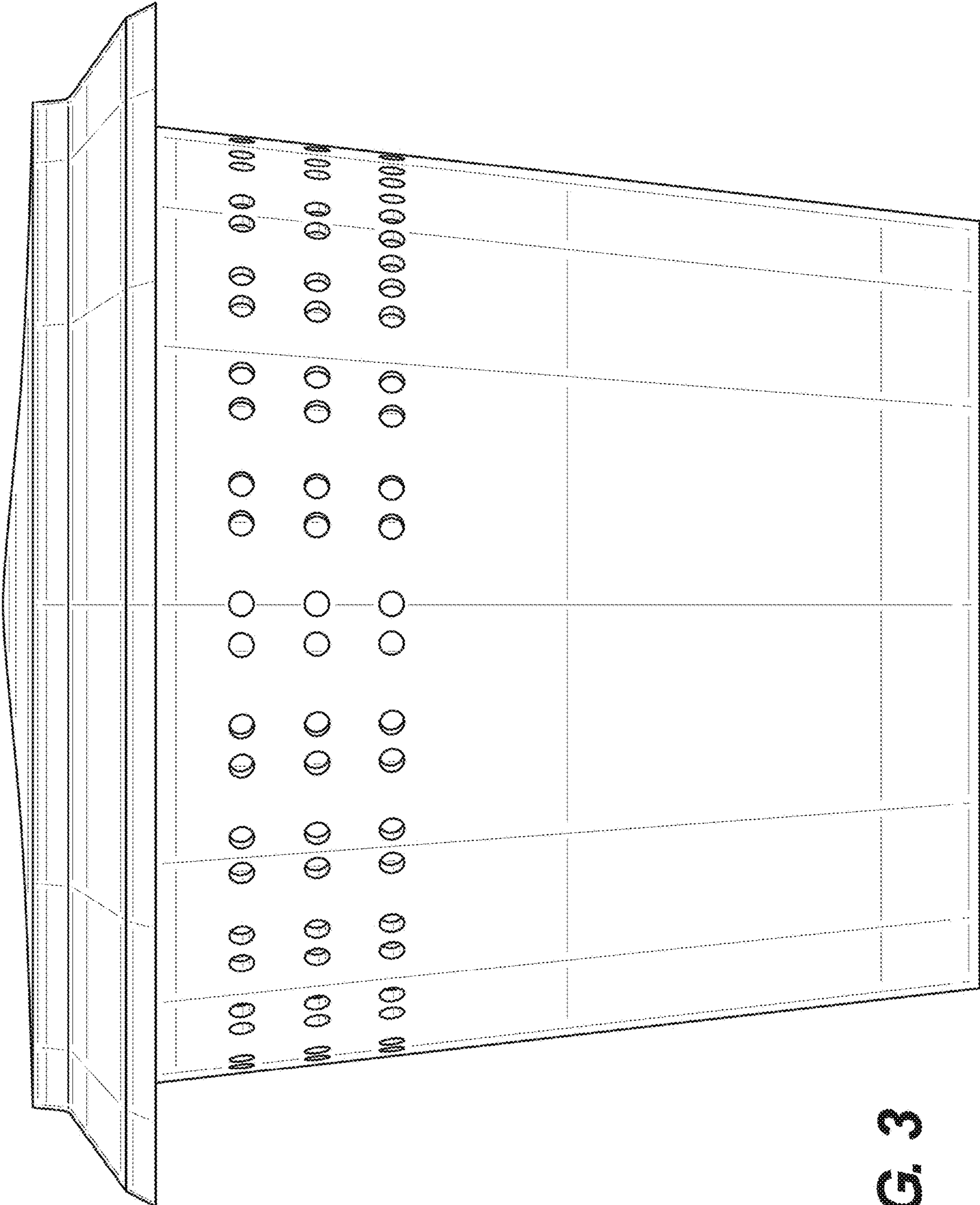
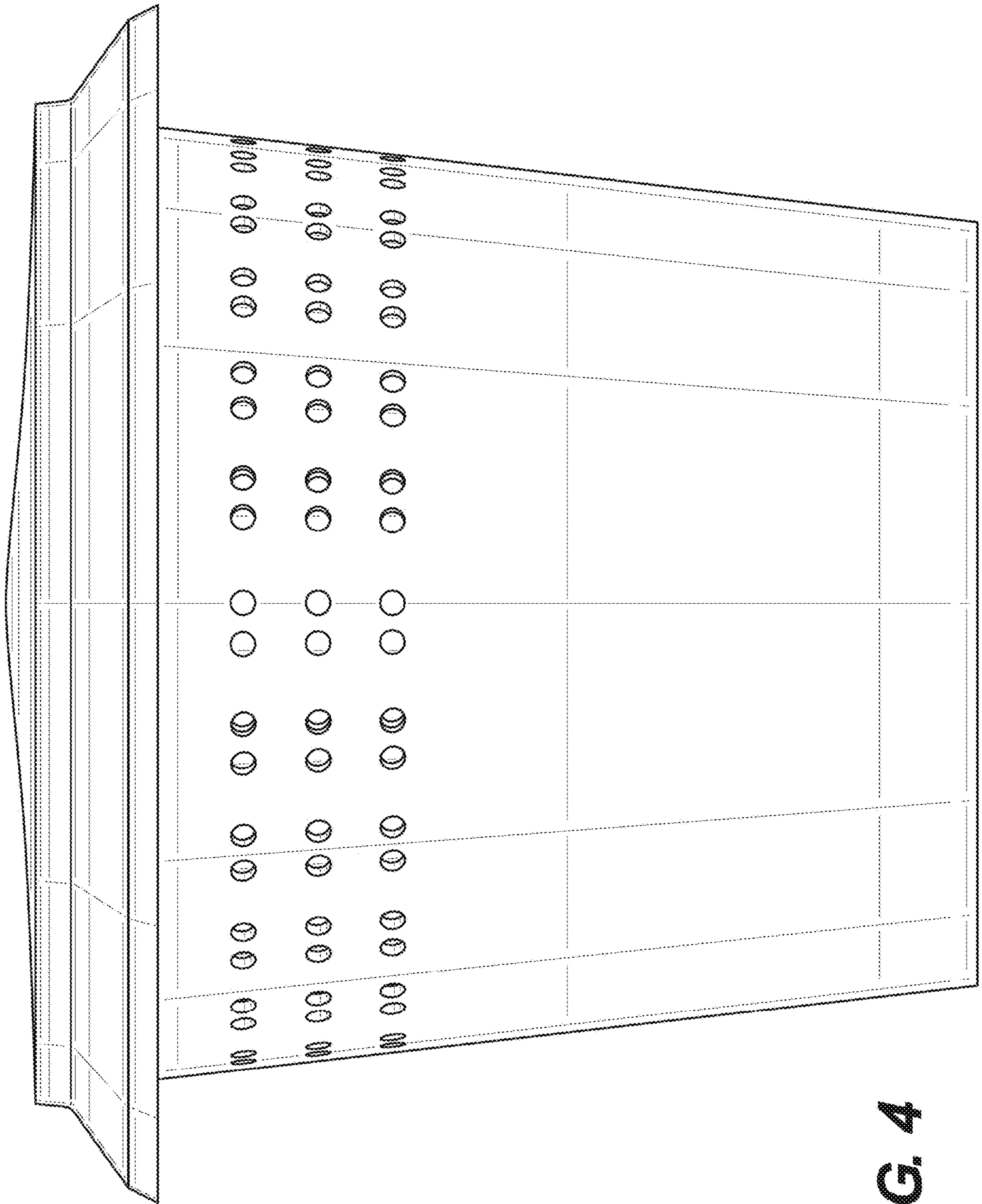
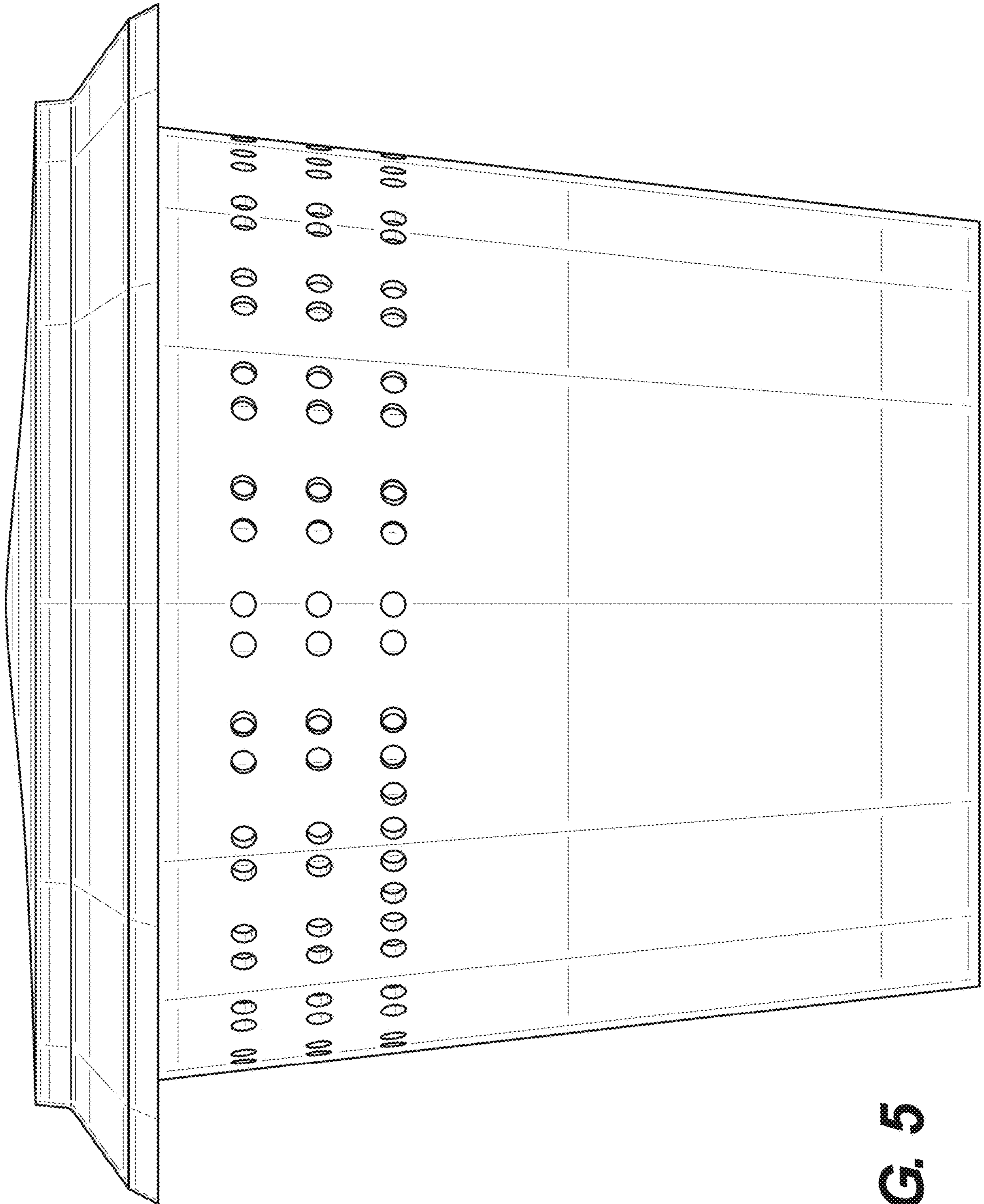


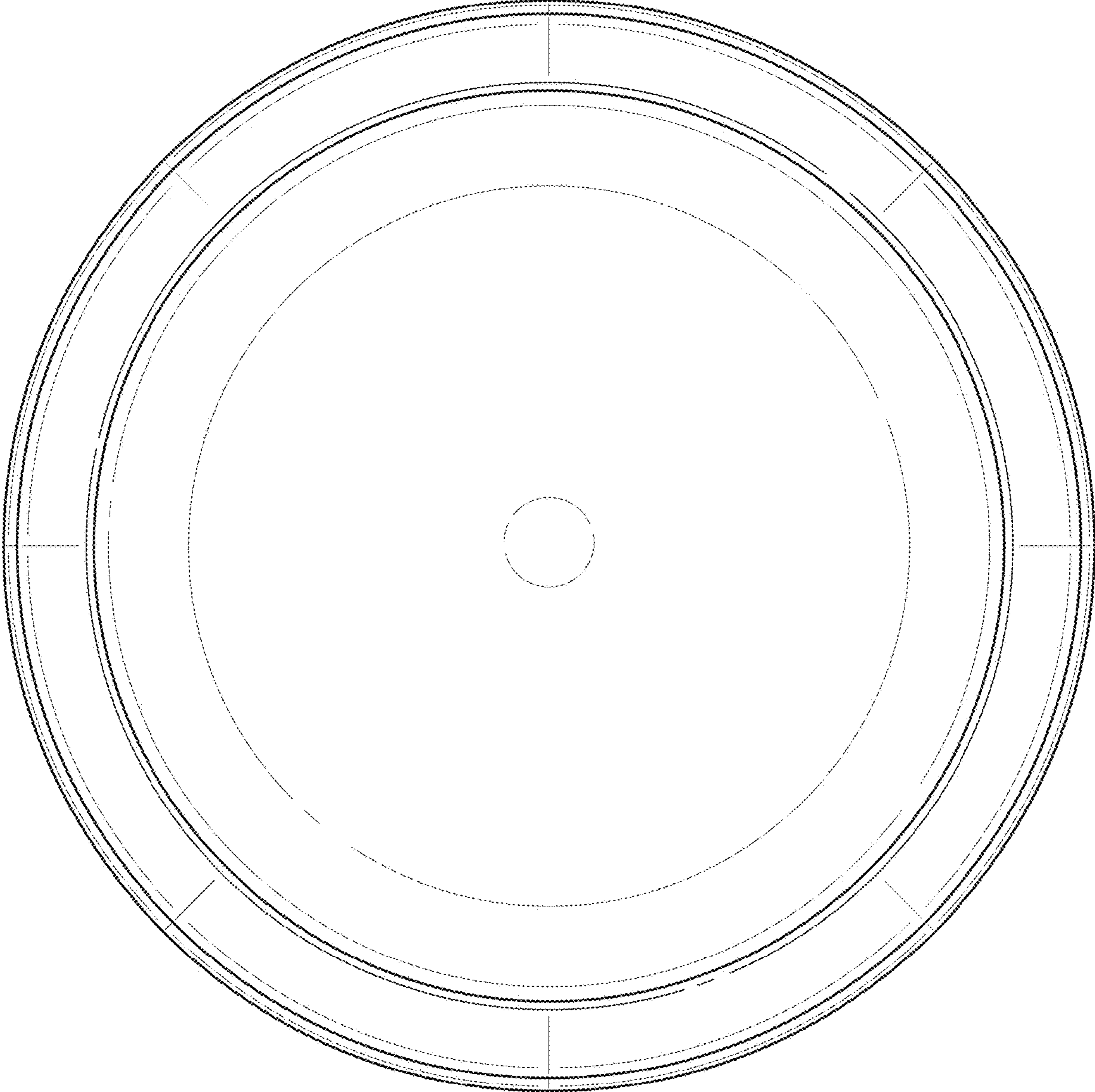
FIG. 3



**FIG. 4**



**FIG. 5**



**FIG. 6**

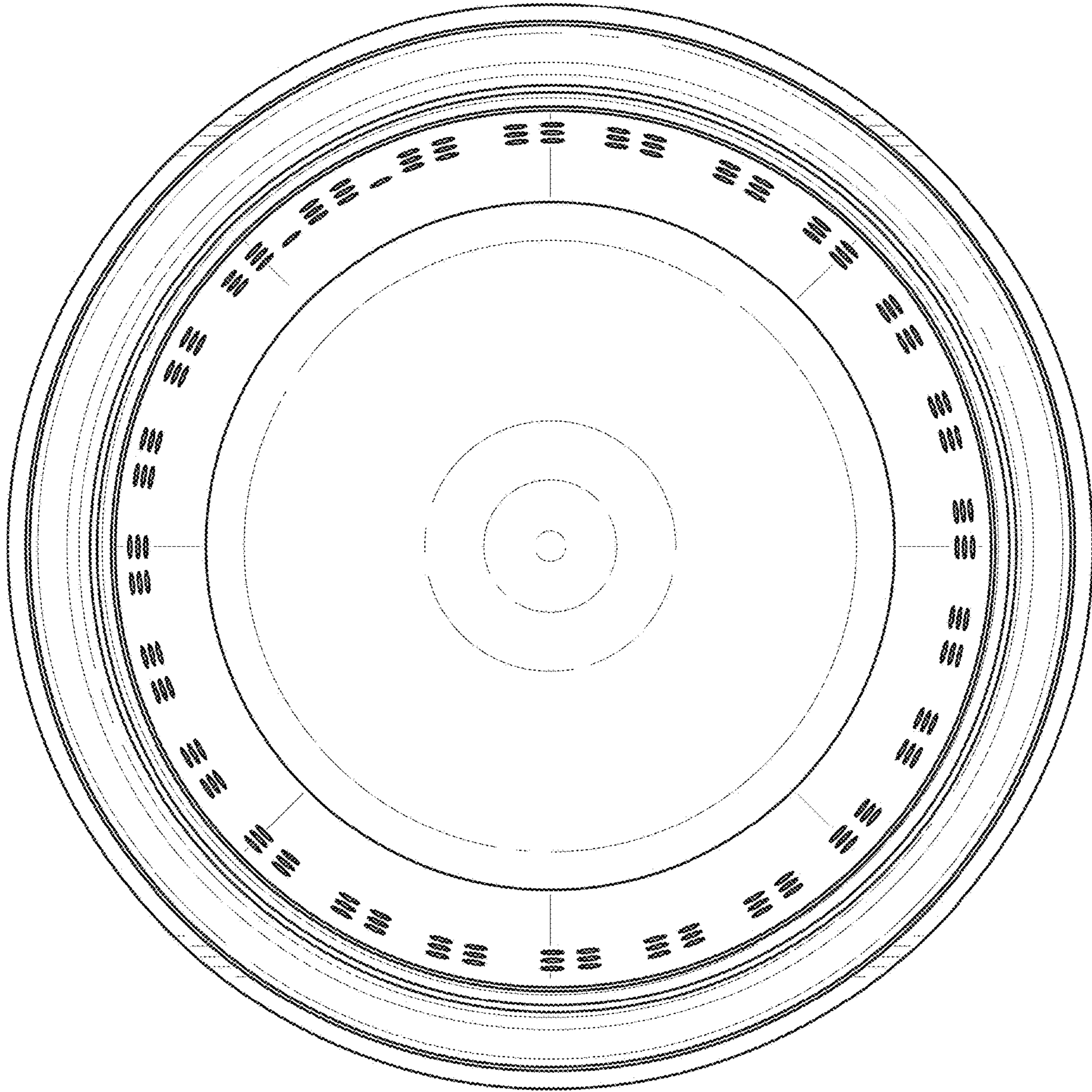


FIG. 7