



US00D902515S

(12) **United States Design Patent** (10) **Patent No.:** **US D902,515 S**
Sharma et al. (45) **Date of Patent:** **** Nov. 17, 2020**

(54) **GRILL SCRAPER**
(71) Applicants: **Aman Sharma**, Round Lake, IL (US);
Brian C. Donnelly, Naperville, IL
(US); **Derek W. Bennion**, Chicago, IL
(US)
(72) Inventors: **Aman Sharma**, Round Lake, IL (US);
Brian C. Donnelly, Naperville, IL
(US); **Derek W. Bennion**, Chicago, IL
(US)

D394,923 S * 6/1998 Hellinger D32/46
D415,325 S * 10/1999 Hellinger D32/46
D481,501 S * 10/2003 Richter D32/41
D514,763 S * 2/2006 Lyall, III D32/46
D516,263 S * 2/2006 Gringer D32/46
D537,591 S * 2/2007 Gringer D32/46
D544,162 S * 6/2007 Uffner D32/46
D587,871 S * 3/2009 van Deursen D32/46
D617,967 S * 6/2010 Lambert D32/46
D695,477 S * 12/2013 Patterson D32/40
D703,408 S * 4/2014 Holma D32/46

(Continued)

(73) Assignee: **Weber-Stephen Products LLC**,
Palatine, IL (US)
(**) Term: **15 Years**
(21) Appl. No.: **29/676,037**
(22) Filed: **Jan. 8, 2019**
(51) **LOC (12) Cl.** **07-05**
(52) **U.S. Cl.**
USPC **D32/46**
(58) **Field of Classification Search**
USPC D32/41, 46, 68
CPC ... A47L 11/40; A47L 1/08; A47L 1/00; A47L
13/12; A47L 13/10; B44D 3/16
See application file for complete search history.

OTHER PUBLICATIONS

Amazon.com : Mr.Art Wood BBQ and Grill Wooden Scraper Tool,
reviews 2019. <https://www.amazon.com/...5&hvnetw=g&hvrand=9696476449289954816&hvqmt=&hvdev=c&hvdvcmdl=&hvlocint=&hvlocphy=1023191&hvtargid=pla-849908842994#customer-Reviews>, site visited Jan. 27, 2020.*

Primary Examiner — Lilyana Bekic
Assistant Examiner — John R Yeh

(74) *Attorney, Agent, or Firm* — Vitale, Vickrey, Niro &
Gasey LLP

(57) **CLAIM**

The ornamental design for a grill scraper, as shown and
described.

DESCRIPTION

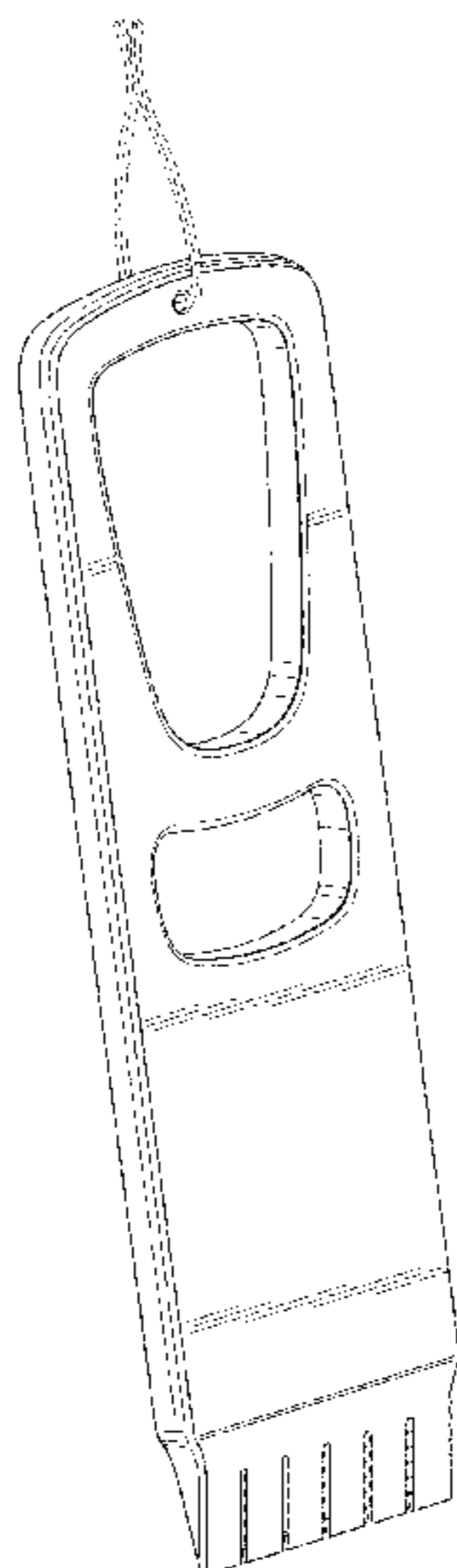
FIG. 1 is a left front perspective view of our design for a grill
scraper
FIG. 2 is a front view thereof, the rear view being a mirror
image thereof;
FIG. 3 is a left side view thereof, the right side view being
a mirror image thereof;
FIG. 4 is a top view thereof; and,
FIG. 5 is a bottom view thereof.
The broken lines in the figures depict portions of the grill
scraper that form no part of the claimed design.

(56) **References Cited**

U.S. PATENT DOCUMENTS

D232,803 S * 9/1974 Kleiman D8/45
D276,564 S * 11/1984 Leininger D32/40
D287,093 S * 12/1986 Ryan D32/46
D297,276 S * 8/1988 Siler, Jr. D32/41
D307,206 S * 4/1990 Boyd D32/46
D320,483 S * 10/1991 Desautel 15/236.05
D345,887 S * 4/1994 Heiberg D32/46
D349,592 S * 8/1994 Stoll 15/236.05
D352,426 S * 11/1994 Tucker D32/46
D355,281 S * 2/1995 Hansen D32/46
D360,505 S * 7/1995 Goodman D32/41
D379,256 S * 5/1997 Tipp D32/46

1 Claim, 3 Drawing Sheets



(56)

References Cited

U.S. PATENT DOCUMENTS

D759,328 S *	6/2016	Cleere	D32/46
D797,391 S *	9/2017	Latham	D32/46
D828,666 S *	9/2018	Borovicka	D32/40
D841,271 S *	2/2019	Motsenbocker	D32/46
D846,218 S *	4/2019	Thompson	D32/46
D850,044 S *	5/2019	Borovicka	D32/46

* cited by examiner

Fig. 1

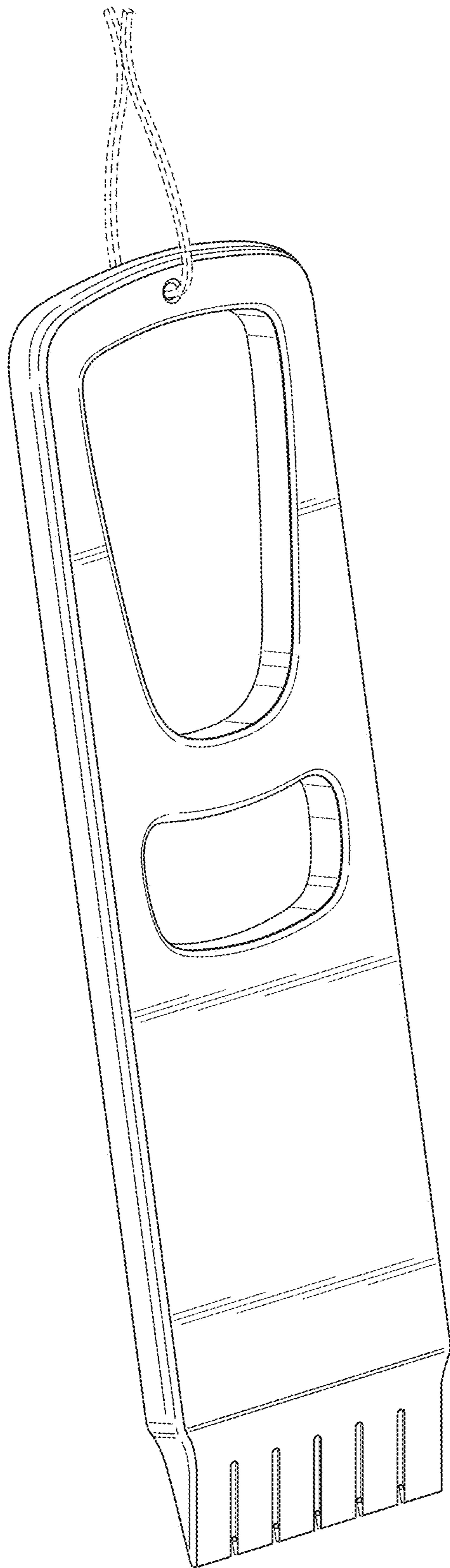


Fig. 2

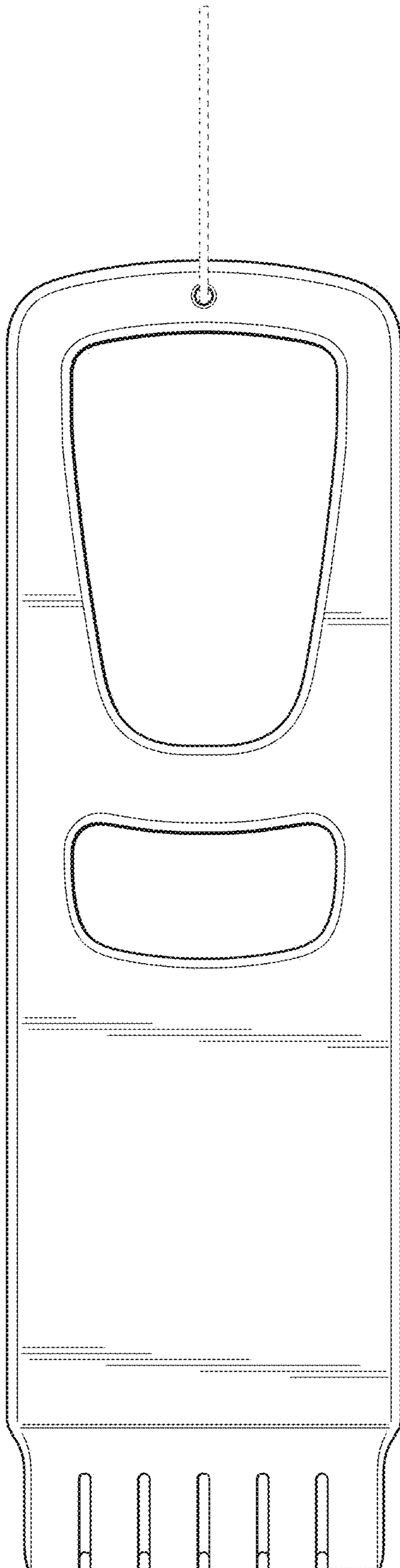


Fig. 3

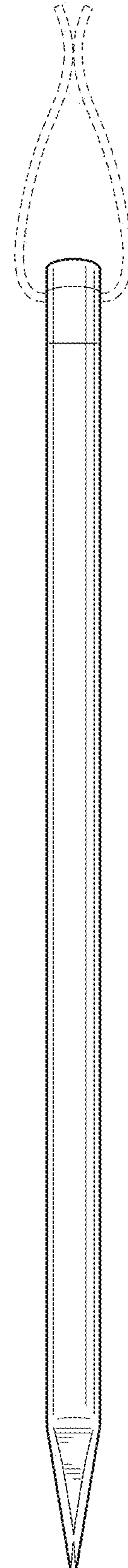


Fig. 4

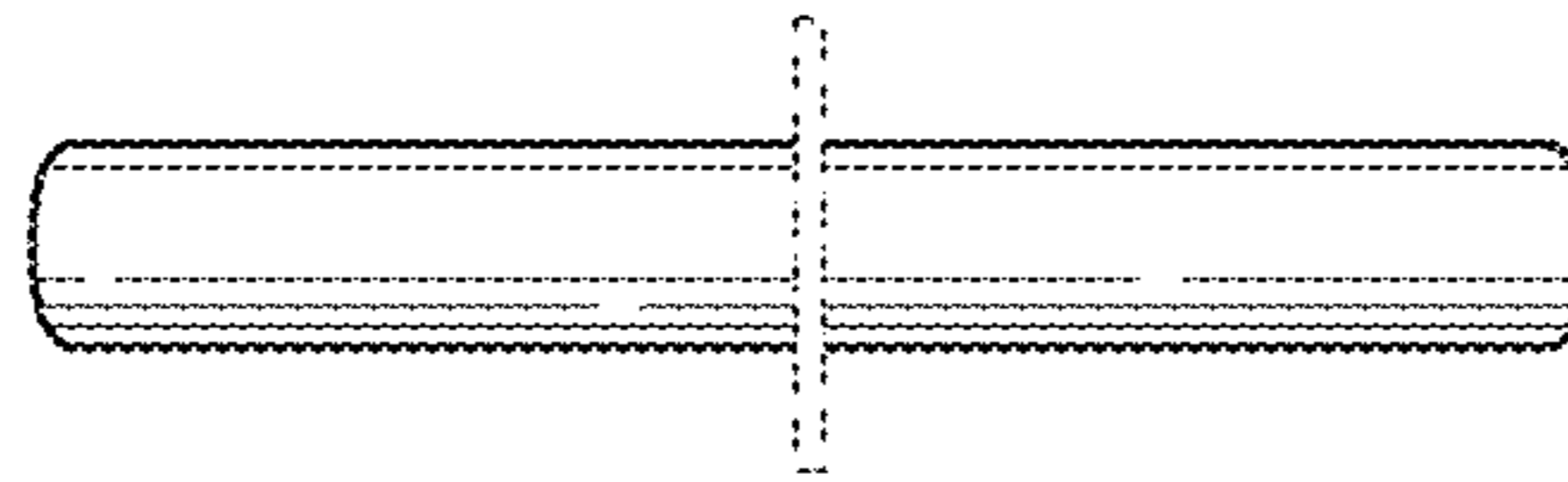


Fig. 5

