



US00D902514S

(12) **United States Design Patent** (10) **Patent No.:** **US D902,514 S**  
**Veldkamp et al.** (45) **Date of Patent:** **\*\* Nov. 17, 2020**

(54) **SINK SQUEEGEE**  
(71) Applicant: **Spectrum Diversified Designs, LLC**,  
Streetsboro, OH (US)

D285,014 S \* 8/1986 Maciel ..... D32/46  
D339,889 S \* 9/1993 Kessler ..... D32/40  
D343,559 S \* 1/1994 Liberty ..... D8/45  
D358,011 S \* 5/1995 Decarli ..... D32/46  
5,628,083 A \* 5/1997 Hayes ..... A47K 7/024  
15/210.1

(72) Inventors: **Derek Veldkamp**, Seattle, WA (US);  
**Matthew Frank**, Seattle, WA (US)

(Continued)

(73) Assignee: **SPECTRUM DIVERSIFIED  
DESIGNS, LLC**, Streetsboro, OH (US)

**OTHER PUBLICATIONS**

(\*\*) Term: **15 Years**

Top 10 Best Bath Sponge With Suction Cup, No Place Called Home  
website 2018, <https://www.noplacecalledhome.com/top-10-best-bath-sponge-with-suction-cup-top-produ> . . . site visited Sep. 16,  
2018.\*

(21) Appl. No.: **29/602,250**

(Continued)

(22) Filed: **Apr. 28, 2017**

(51) **LOC (12) Cl.** ..... **07-05**

*Primary Examiner* — John R Yeh

(52) **U.S. Cl.**  
USPC ..... **D32/41**

(74) *Attorney, Agent, or Firm* — Tucker Ellis LLP

(58) **Field of Classification Search**  
USPC ..... D32/40-43, 46-47; D8/101, 107, 45  
CPC ... A47L 1/06; A47L 1/00; A47L 13/20; A47L  
13/254; A47L 13/11; A47L 13/10; A47L  
13/16; A47L 13/12; G03D 15/02; F16K  
1/22; B60S 1/38; A47K 7/03; B41F  
15/40; B41F 15/42; B41F 15/14; B41F  
15/44

(57) **CLAIM**

We claim the ornamental design for a sink squeegee, as  
shown and described.

See application file for complete search history.

**DESCRIPTION**

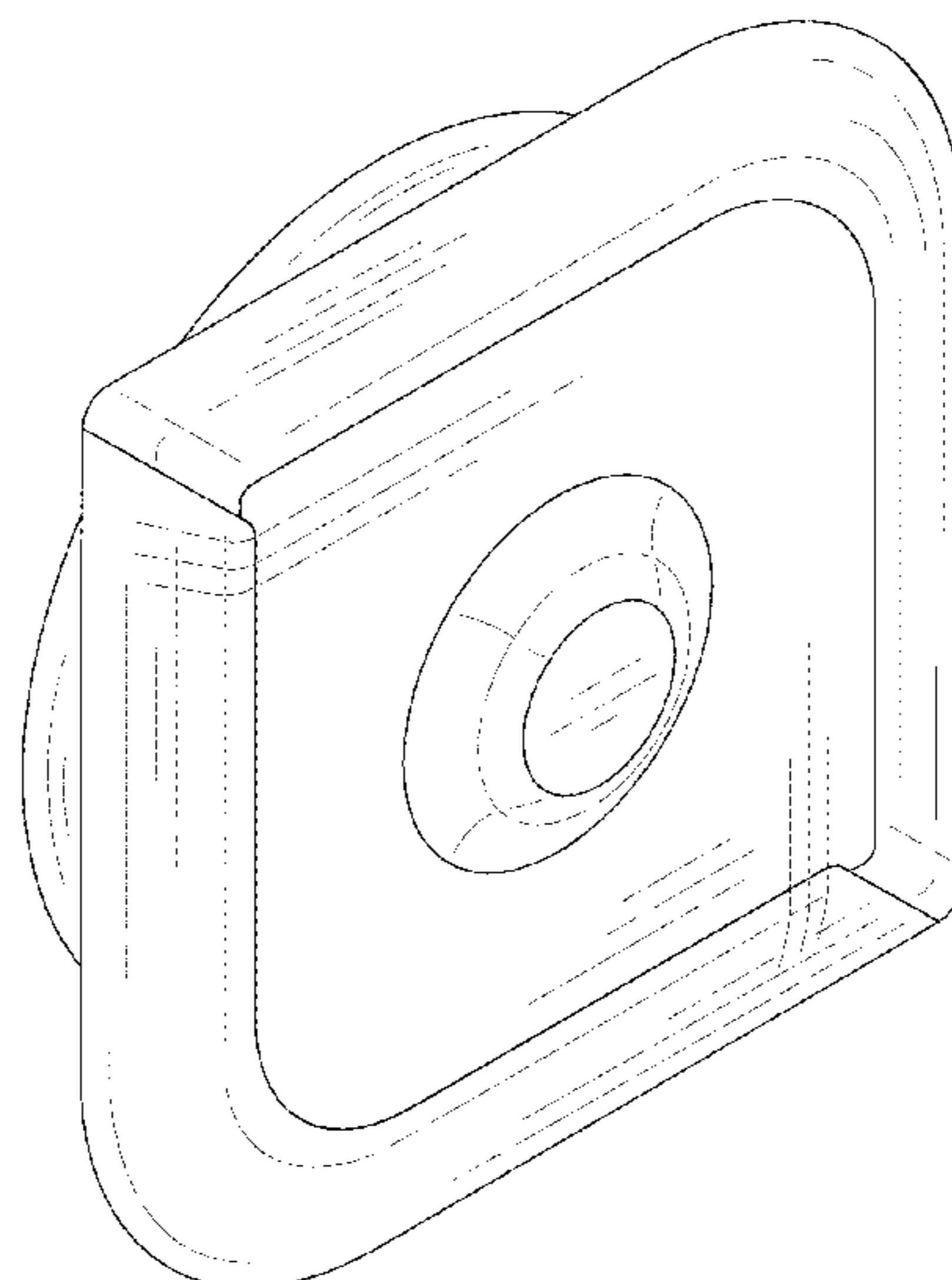
(56) **References Cited**

**U.S. PATENT DOCUMENTS**

532,462 A \* 1/1895 Humphrey ..... A47L 13/18  
15/227  
D46,895 S \* 2/1915 Campbell ..... 30/169  
1,313,833 A \* 8/1919 Paxton ..... A47L 13/16  
101/367  
1,954,940 A \* 4/1934 Mikel ..... A47K 7/024  
15/110  
3,230,566 A \* 1/1966 Moody ..... E04F 21/165  
15/235.3  
D241,603 S \* 9/1976 MacNeil ..... D7/691  
D262,432 S \* 12/1981 Lambert ..... D32/40  
D280,109 S \* 8/1985 Lewis ..... 15/210.1

FIG. 1 is a front perspective view for a sink squeegee having  
a cleaning portion and a mounting portion;  
FIG. 2 is a front view of the cleaning portion;  
FIG. 3 is a rear view thereof;  
FIG. 4 is a side view thereof;  
FIG. 5 is a front perspective view thereof;  
FIG. 6 is a front view of the mounting portion of the sink  
squeegee;  
FIG. 7 is a rear view thereof;  
FIG. 8 is a side view thereof;  
FIG. 9 is a rear view for the sink squeegee showing the  
cleaning portion and the mounting portion; and,  
FIG. 10 is a cross-section view of the sink squeegee taken  
about line 10-10 in FIG. 9.  
The broken lines show portions of the design that form no  
part of the claimed design.

**1 Claim, 10 Drawing Sheets**



(56)

**References Cited**

U.S. PATENT DOCUMENTS

D379,697	S	*	6/1997	Freudenberg	.....	D32/40
D487,685	S	*	3/2004	Zeilinger	.....	D32/46
D502,580	S	*	3/2005	Williams	.....	D32/41
D514,763	S	*	2/2006	Lyall, III	.....	D32/46
D589,665	S	*	3/2009	Kwapis	.....	D28/7
D685,963	S	*	7/2013	Timm	.....	D32/40
D719,710	S	*	12/2014	Olson	.....	D32/40
D765,315	S	*	8/2016	Whyte	.....	D28/63
D816,828	S	*	5/2018	Kassouni	.....	D24/100

OTHER PUBLICATIONS

Kitchen Sponge Sucker Attached Kitchen Sponge Refill, Superdelivery website 2002, [https://www.superdelivery.com/en/r/pd\\_p/6079528/](https://www.superdelivery.com/en/r/pd_p/6079528/), site visited Sep. 16, 2018.\*

Cheap Shower Cleaning Squeegee, Alibaba.com 2018, <https://guide.alibaba.com/shopping-guides/shower-cleaning-squeegee.html>, site visited Sep. 17, 2018.\*

\* cited by examiner

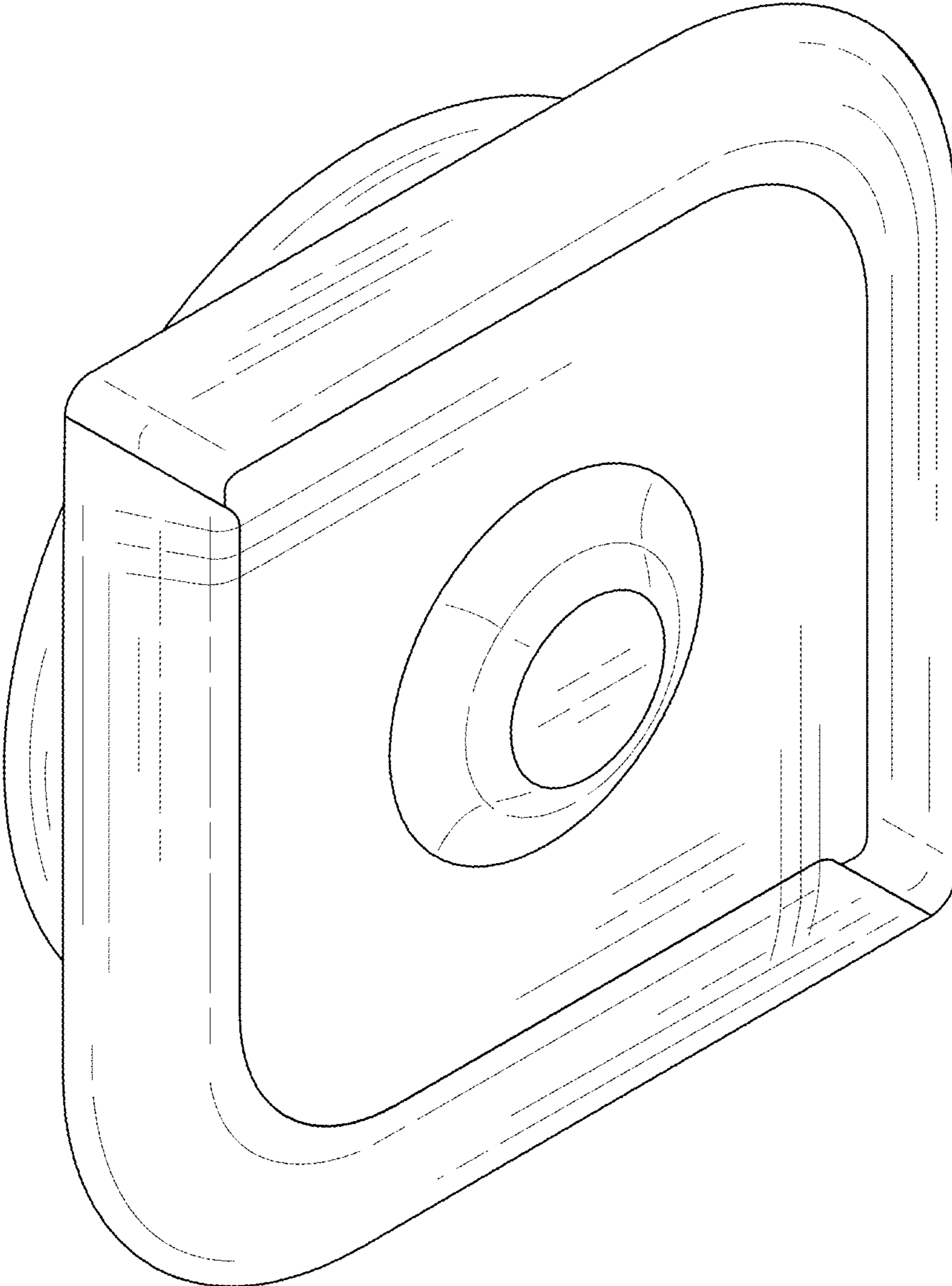


FIG. 1

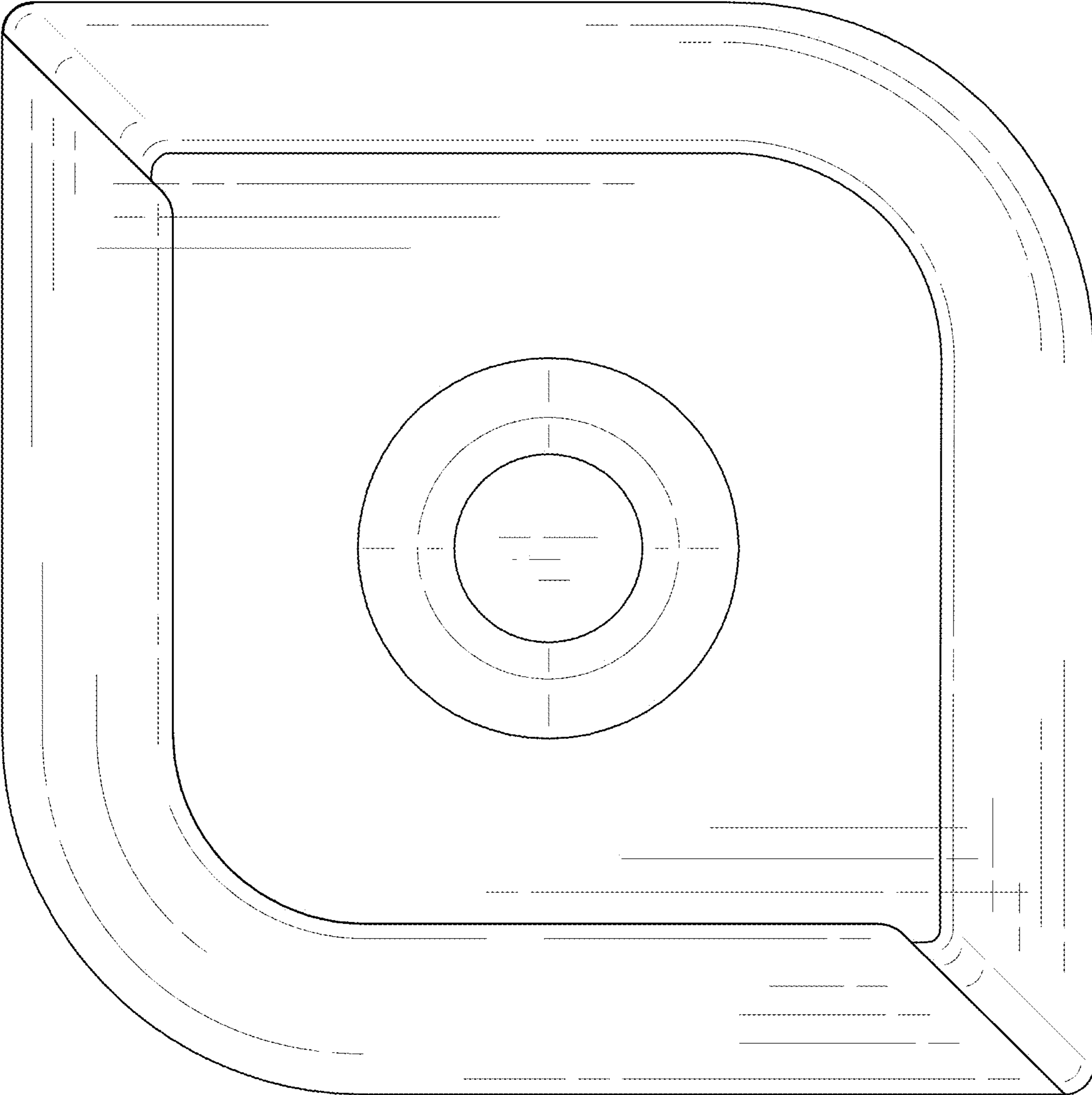


FIG. 2

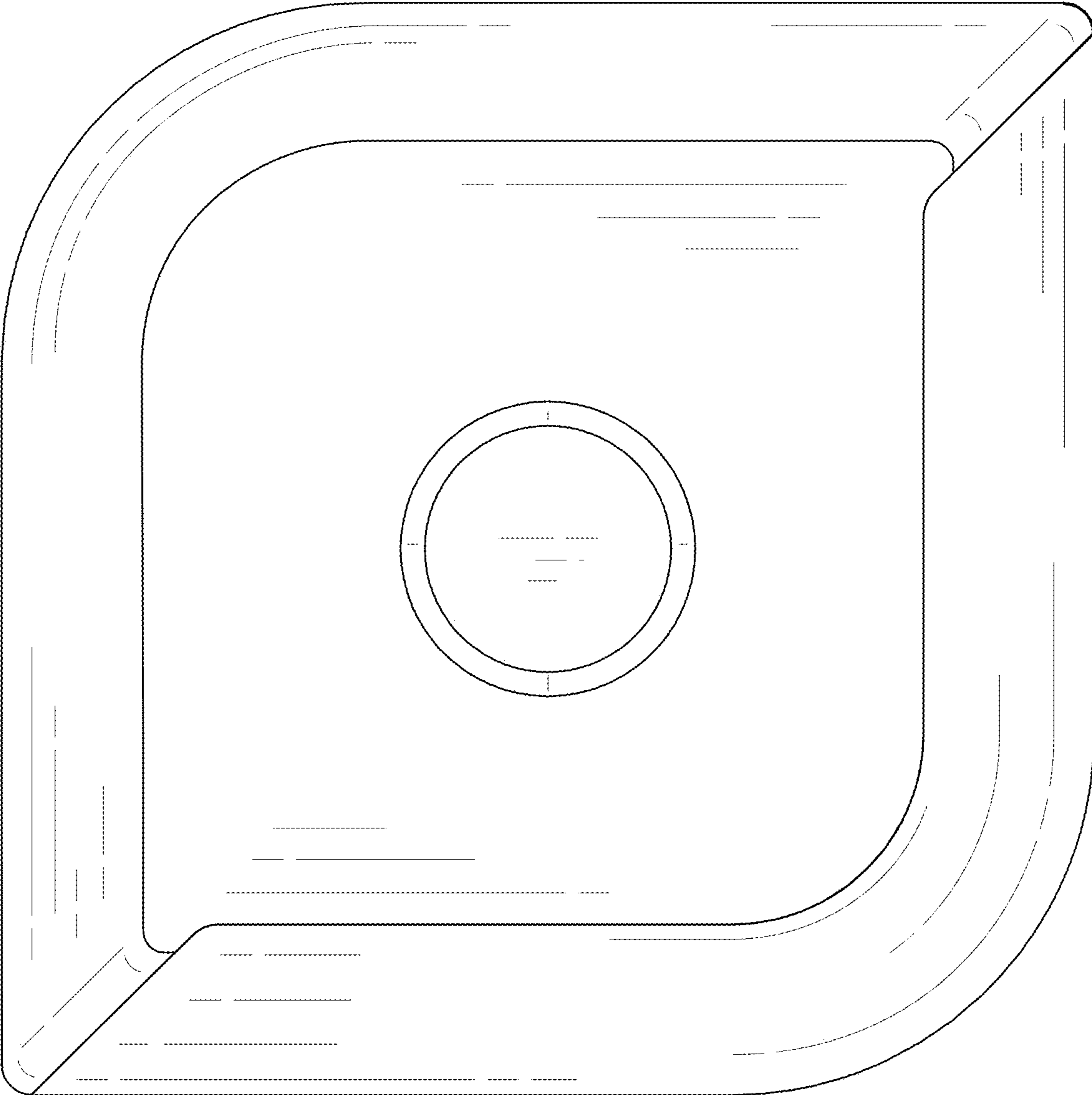


FIG. 3

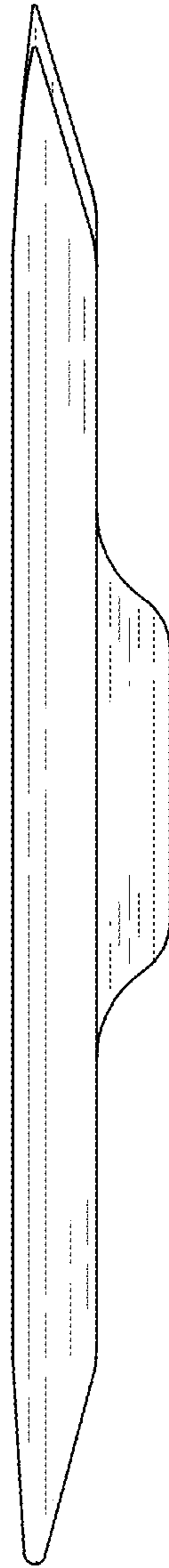


FIG. 4



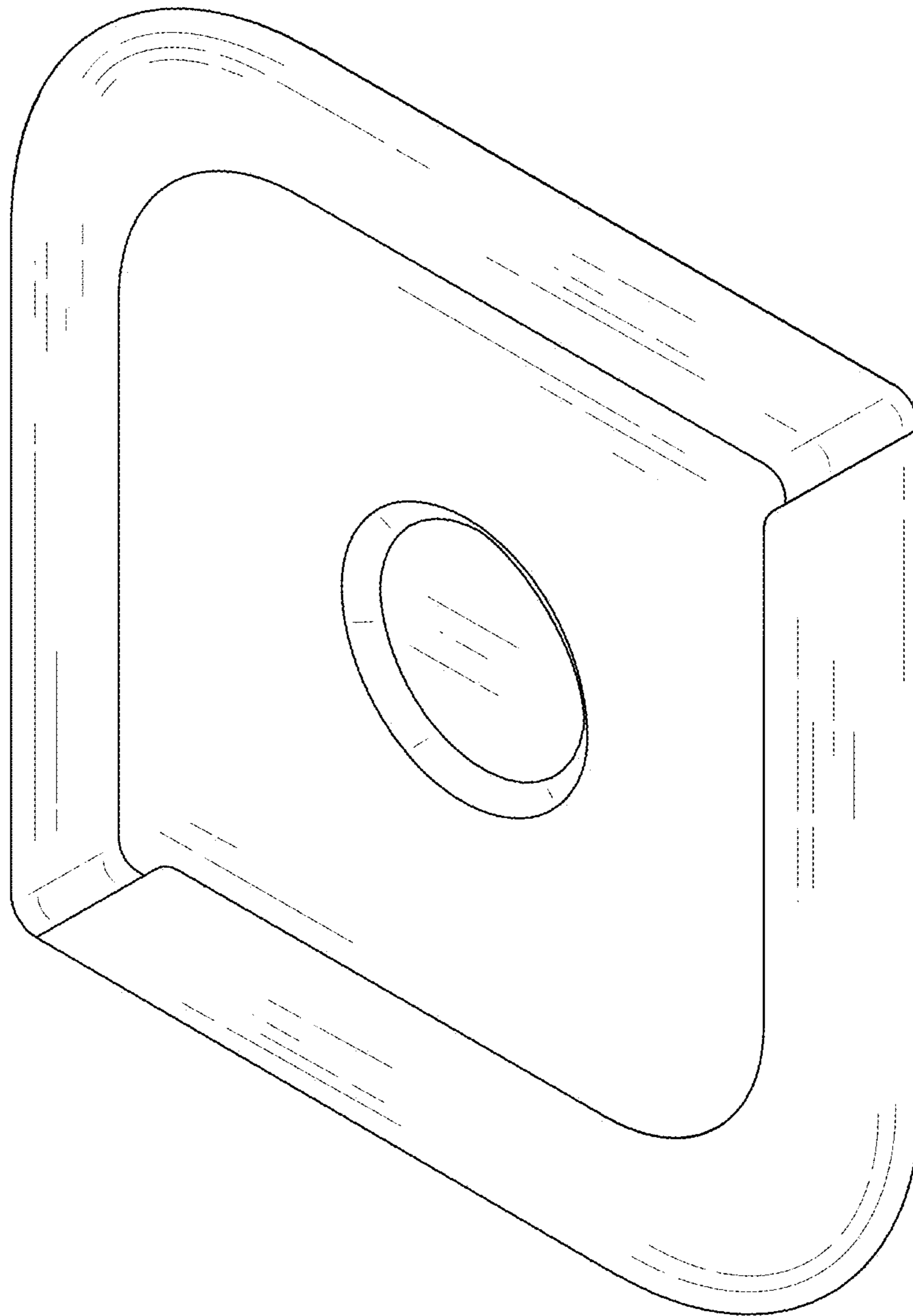


FIG. 5



FIG. 6



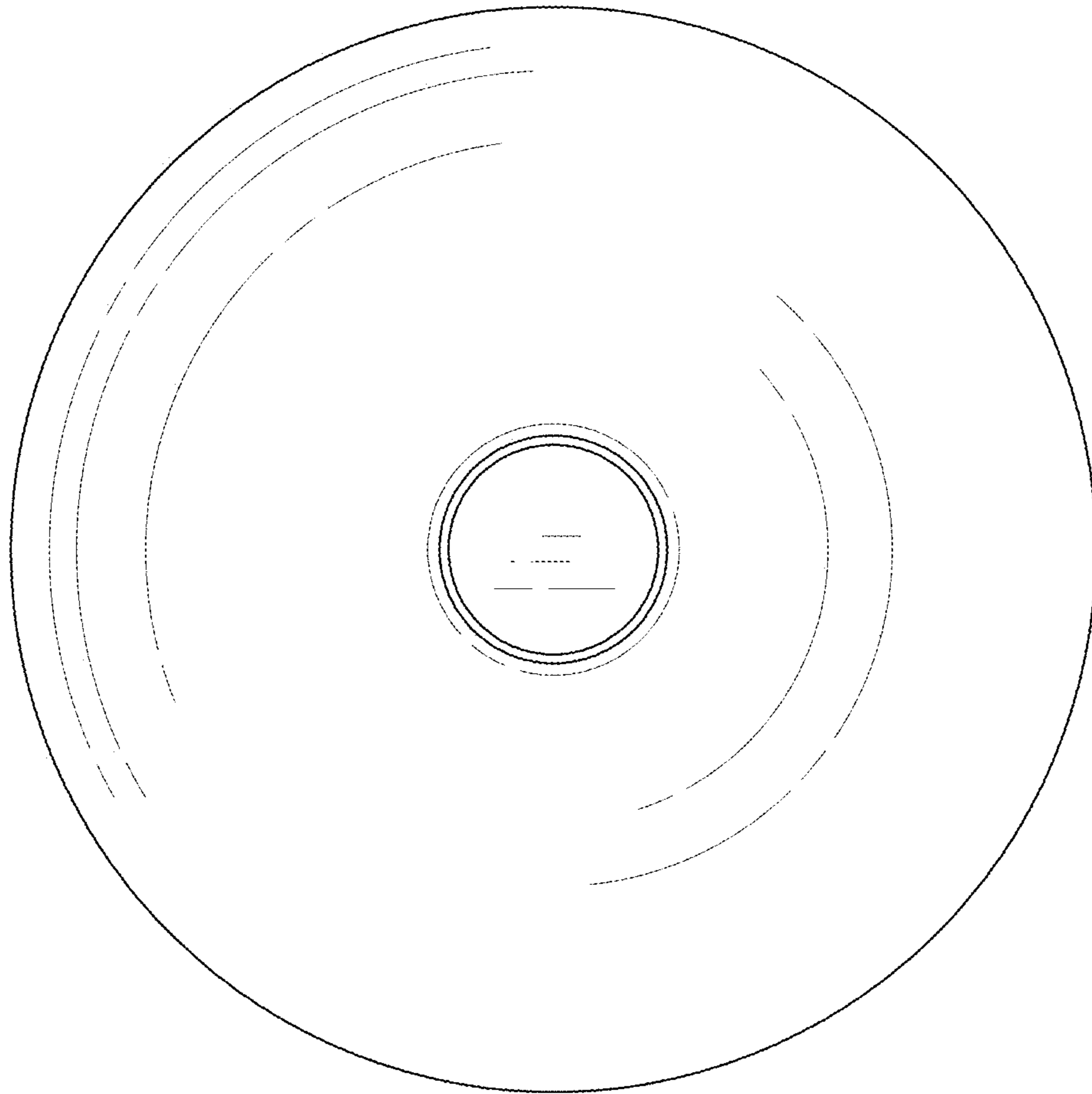


FIG. 7

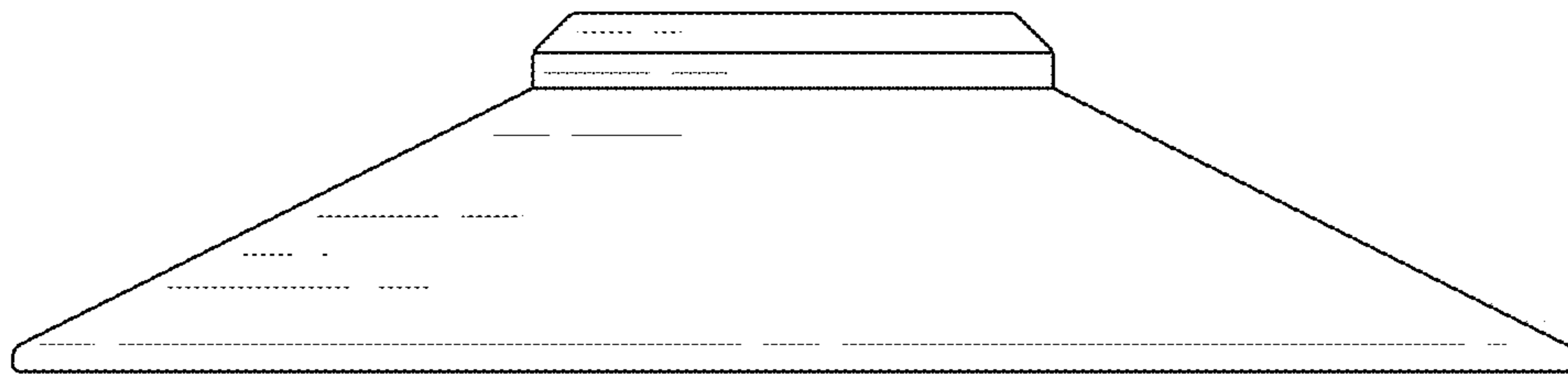


FIG. 8

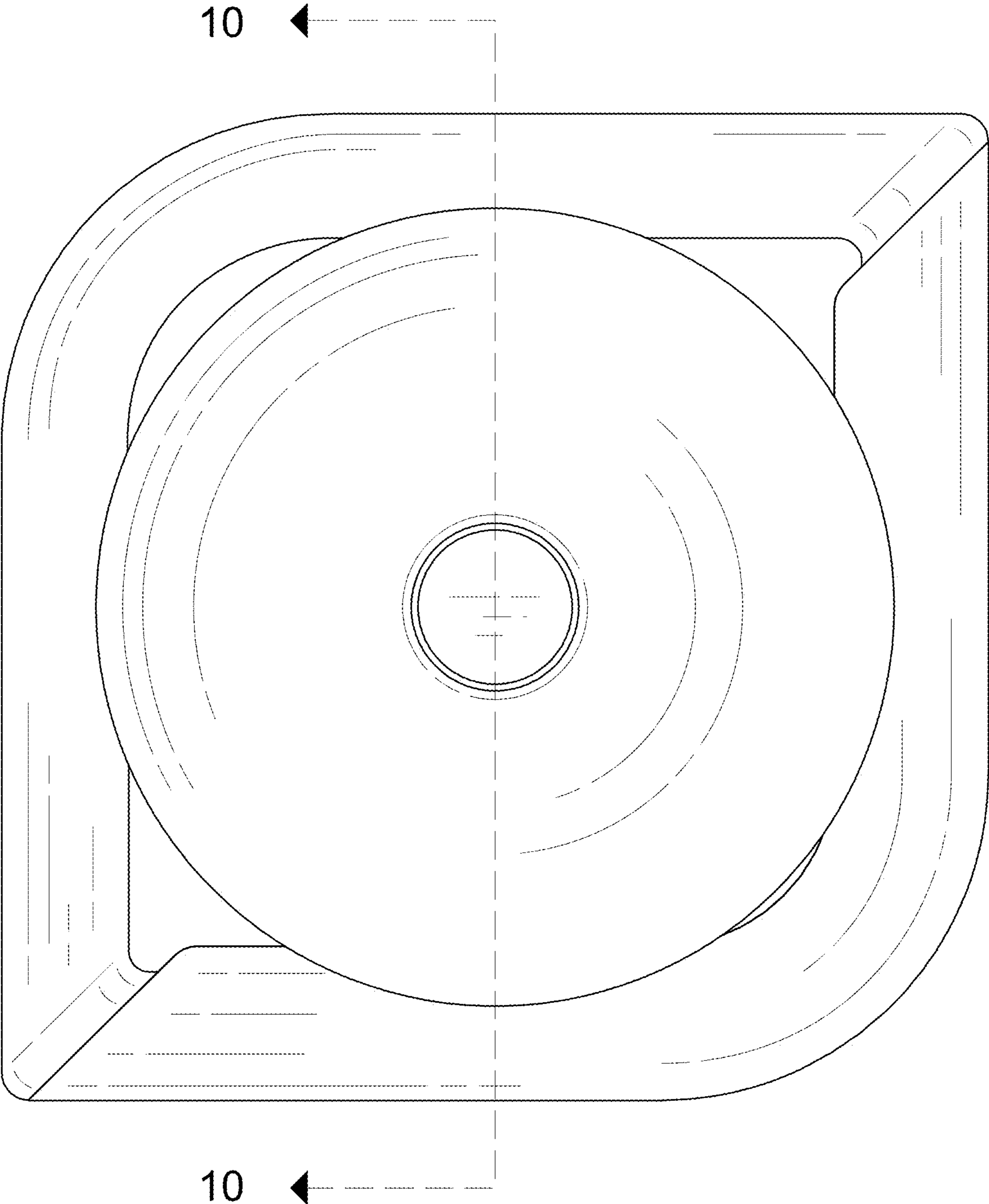


FIG. 9

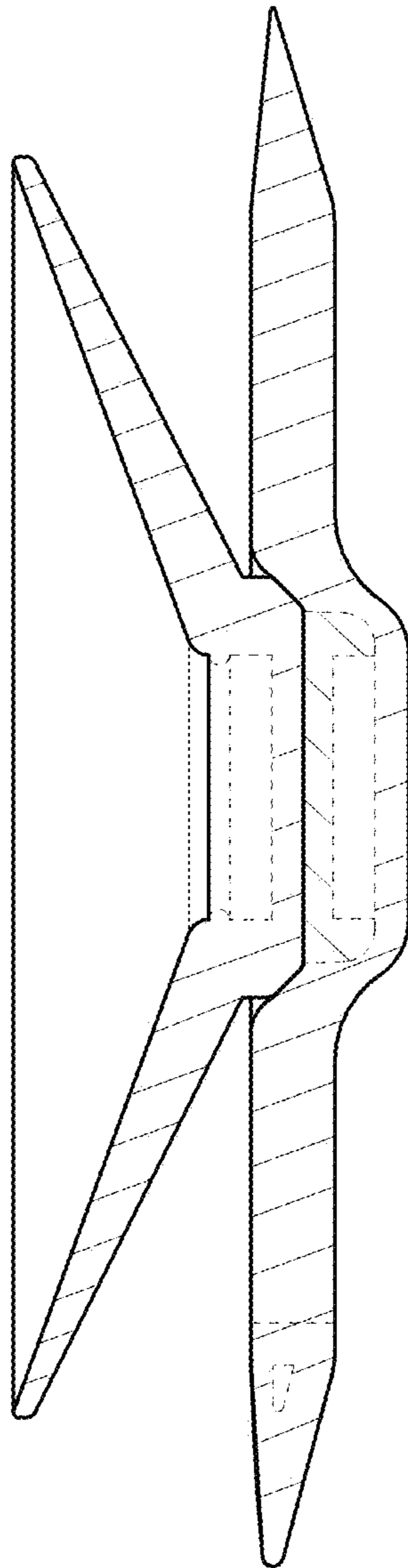


FIG. 10