



US00D902513S

(12) **United States Design Patent**  
**Talebi et al.**

(10) **Patent No.: US D902,513 S**  
(45) **Date of Patent: \*\* \*Nov. 17, 2020**

(54) **CLEANING TOOL**

(71) Applicant: **MEDISCA PHARMACEUTIQUE INC.**, St-Laurent (CA)

(72) Inventors: **Vargha Talebi**, Ottawa (CA); **Vance Bao**, St-Laurent (CA); **Wenxiong (Lyman) Li**, San Diego, CA (US)

(73) Assignee: **Medisca Pharmaceutique Inc.**, Saint-Laurent (CA)

(\*) Notice: This patent is subject to a terminal disclaimer.

(\*\*) Term: **15 Years**

(21) Appl. No.: **29/614,730**

(22) Filed: **Aug. 22, 2017**

(51) **LOC (12) Cl.** ..... **07-05**

(52) **U.S. Cl.**  
USPC ..... **D32/40**

(58) **Field of Classification Search**  
USPC ..... D32/40-43, 46-47; D8/101, 107, 45  
CPC ... A47L 1/06; A47L 1/00; A47L 13/20; A47L 13/254; A47L 13/11; A47L 13/10; A47L 13/16; A47L 13/12; G03D 15/02; F16K 1/22; B60S 1/38; A47K 7/03; B41F 15/40; B41F 15/42; B41F 15/14; B41F 15/44

See application file for complete search history.

(56) **References Cited**

U.S. PATENT DOCUMENTS

1,469,404 A \* 10/1923 Bohrmann ..... A47L 13/022  
401/201

1,509,807 A \* 9/1924 Gray ..... E04F 21/06  
15/235.4

1,761,109 A \* 6/1930 Dietz ..... E04F 21/06  
15/235.4

2,307,892 A \* 1/1943 Lowther ..... B44C 7/08  
33/382

2,952,028 A \* 9/1960 Robbins ..... E04F 21/06  
15/235.4

3,010,133 A \* 11/1961 Hurd ..... E04F 21/06  
15/235.4

3,140,500 A \* 7/1964 Pilla ..... E04F 21/06  
15/235.4

3,481,727 A 12/1969 Dickenson et al.  
(Continued)

**FOREIGN PATENT DOCUMENTS**

CN 302358638 \* 3/2013  
CN 202849249 4/2013  
(Continued)

**OTHER PUBLICATIONS**

Remco Vikan Handheld Cleaning Pad Holder, website 2018, <http://remcoproducts.com/products/catalog/Pad>, site visited Sep. 16, 2018 (Year: 2018).\*

(Continued)

*Primary Examiner* — John R Yeh  
(74) *Attorney, Agent, or Firm* — Smart & Biggar LLP

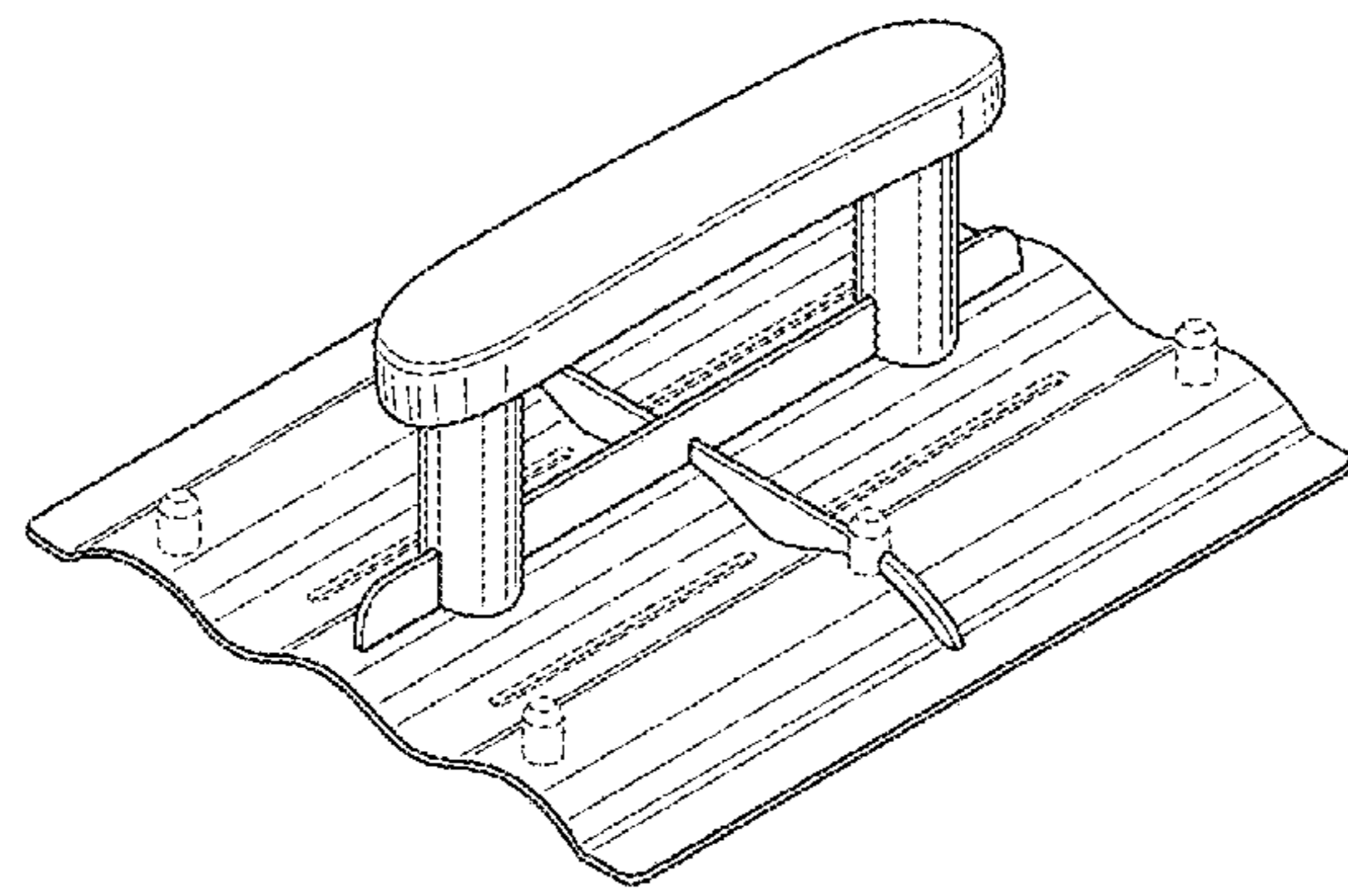
(57) **CLAIM**

We claim the ornamental design for a cleaning tool, as shown and described.

**DESCRIPTION**

FIG. 1 is a perspective view of our new design for a cleaning tool;  
FIG. 2 is a top plan view thereof;  
FIG. 3 is a bottom plan view thereof;  
FIG. 4 is a front elevation view thereof, the rear being identical; and,  
FIG. 5 is a side elevation view thereof, the other side being identical.  
The broken lines in the figures represent portions of the cleaning tool that form no part of the claimed design.

**1 Claim, 3 Drawing Sheets**



(56)

References Cited

U.S. PATENT DOCUMENTS

4,351,525 A \* 9/1982 Rozenblad ..... A63B 23/12  
482/141  
D278,790 S \* 5/1985 Chaney ..... D8/14  
D310,012 S \* 8/1990 Henke ..... D8/45  
5,203,885 A \* 4/1993 Pastre ..... B24D 15/023  
264/267  
5,544,384 A \* 8/1996 Forselius ..... E04F 21/163  
15/235.7  
D373,715 S \* 9/1996 Fink ..... D8/45  
5,690,547 A \* 11/1997 Holland, Jr. .... B24D 15/023  
451/523  
D392,079 S \* 3/1998 Omerza ..... D32/40  
D402,474 S \* 12/1998 Danielson ..... D4/137  
5,896,616 A \* 4/1999 Large ..... B05C 17/00  
15/104.94  
D411,672 S \* 6/1999 McCoy ..... D32/46  
D426,134 S \* 6/2000 Pytlewski ..... D8/107  
D434,625 S \* 12/2000 Denton ..... D8/45  
D453,672 S \* 2/2002 McCoy ..... D8/45  
6,493,899 B1 \* 12/2002 Hintz ..... B44D 3/06  
15/147.1  
6,505,408 B1 \* 1/2003 Talamantez ..... G01C 9/26  
15/235.4  
D474,389 S \* 5/2003 Panfili ..... D8/45  
6,640,378 B2 \* 11/2003 Hsu ..... B25G 1/102  
15/143.1  
D504,601 S \* 5/2005 Jimenez ..... D8/45  
D506,911 S \* 7/2005 Jimenez ..... D8/45  
D525,508 S \* 7/2006 Leonard, II ..... D8/90  
D561,548 S \* 2/2008 Martin ..... D8/45  
D584,587 S \* 1/2009 Lawrence ..... D8/45

D585,712 S \* 2/2009 Lawrence ..... D8/45  
D602,753 S \* 10/2009 McLaughlin ..... D8/45  
D668,124 S \* 10/2012 Lewis ..... D8/45  
D680,401 S \* 4/2013 Renfro ..... D8/71  
D787,292 S \* 5/2017 Lehovetzki ..... D8/90  
D811,849 S \* 3/2018 Chou ..... D8/107  
D841,915 S \* 2/2019 Cira ..... D32/42  
D841,916 S \* 2/2019 Cira ..... D32/42

FOREIGN PATENT DOCUMENTS

CN 203678853 U 7/2014  
CN 104148307 A 11/2014  
CN 204035075 U 12/2014  
CN 303316094 \* 8/2015  
CN 205042776 U 2/2016  
CN 205436390 U 8/2016  
CN 105944987 A 9/2016  
CN 205570850 U 9/2016  
CN 304149399 \* 5/2017  
WO WO2014179441 A1 11/2014

OTHER PUBLICATIONS

Unger PHD20 8" Handheld Aluminum Pad Holder, Webstaurant website 2018, <https://www.webstaurantstore.com/unger-phd20-8-handheld-aluminum-pad-holder/905PH> . . . site visited Sep. 16, 2018 (Year: 2018).\*

Medisca Cleaning Tool, Medisca website 2020, <https://www.medisca.com/pp/ProductDetails.aspx?StockCode=6382&C=DEV&C4=87>, site visited Jan. 6, 2020.\*

\* cited by examiner

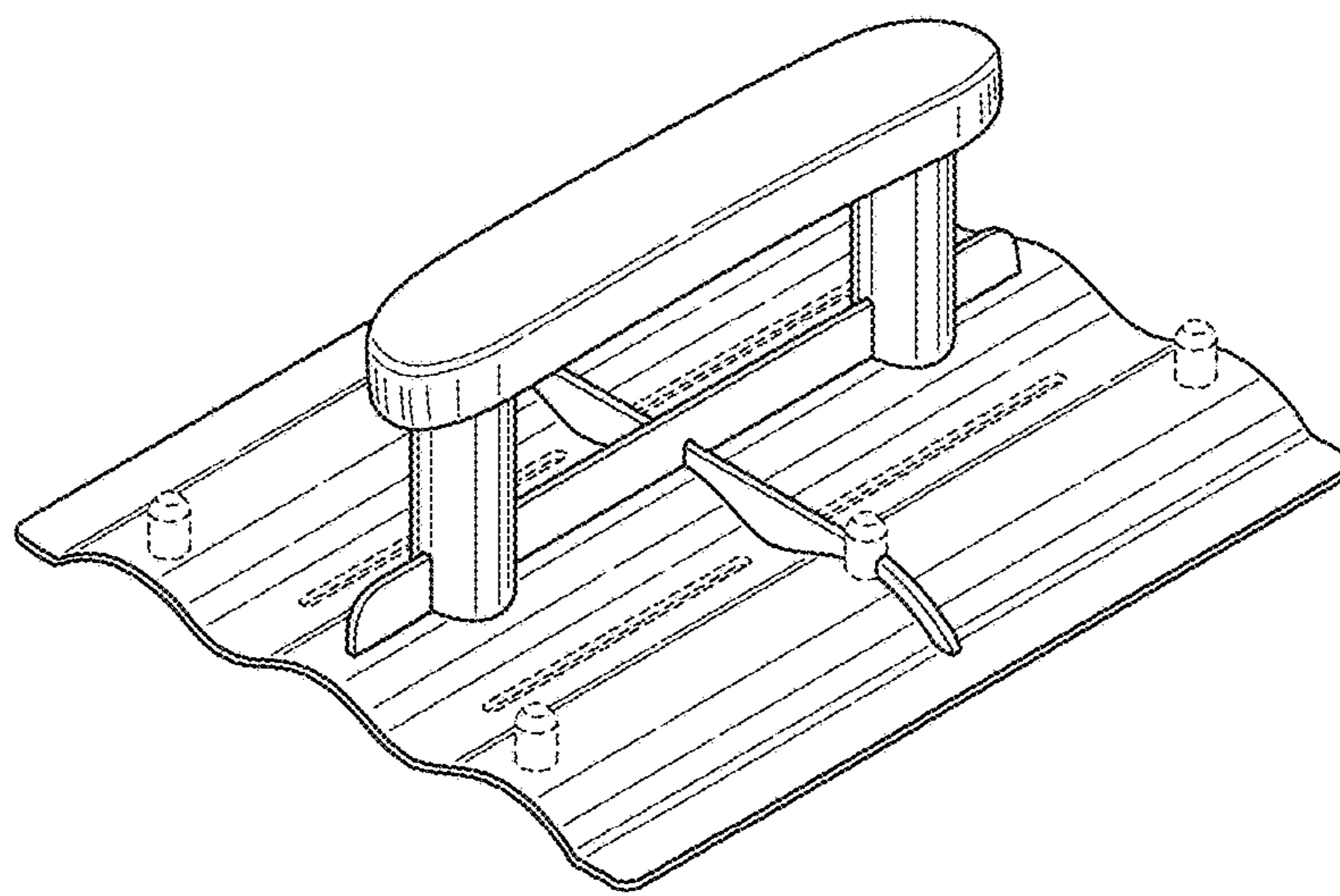


FIG. 1



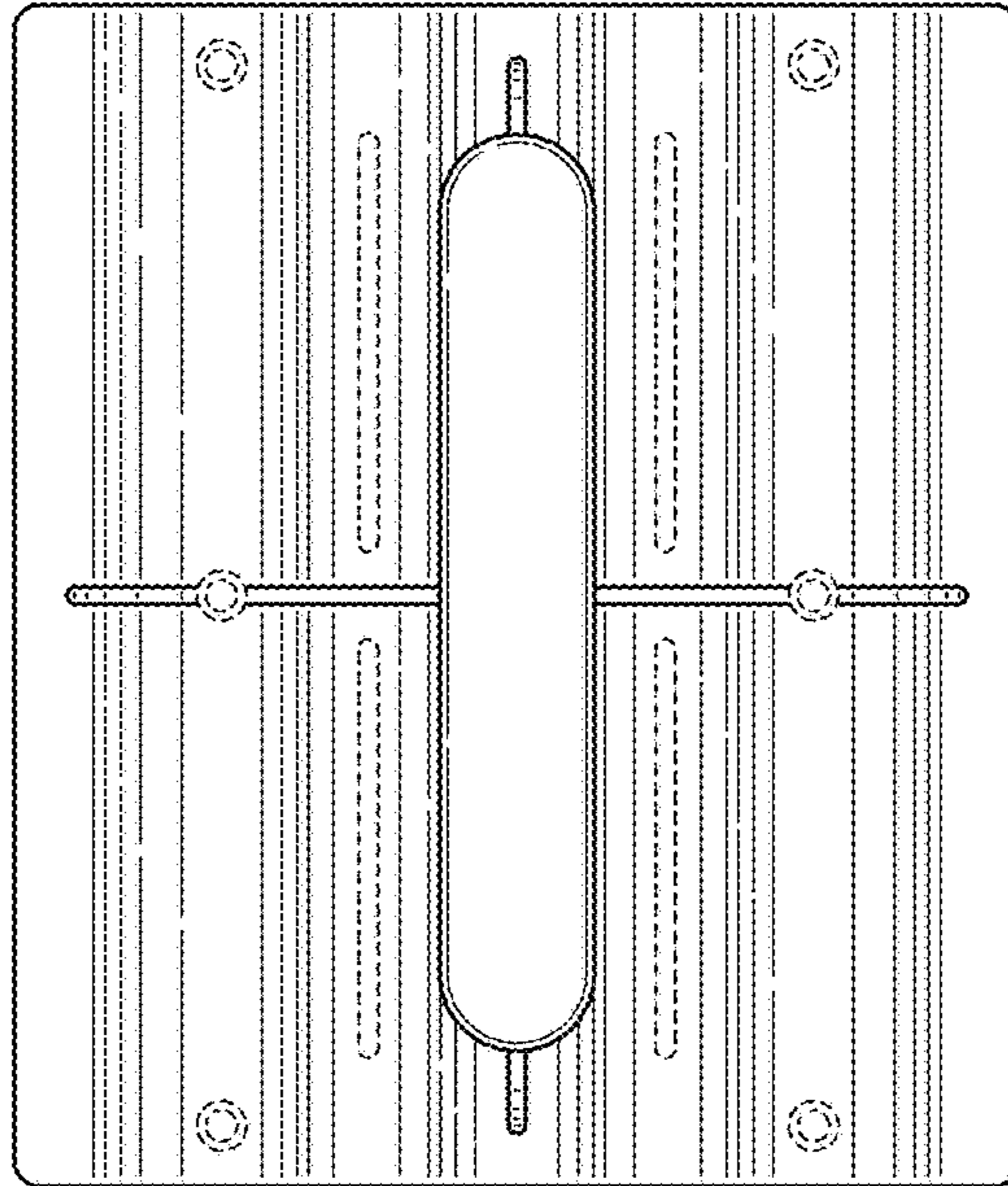


FIG. 2

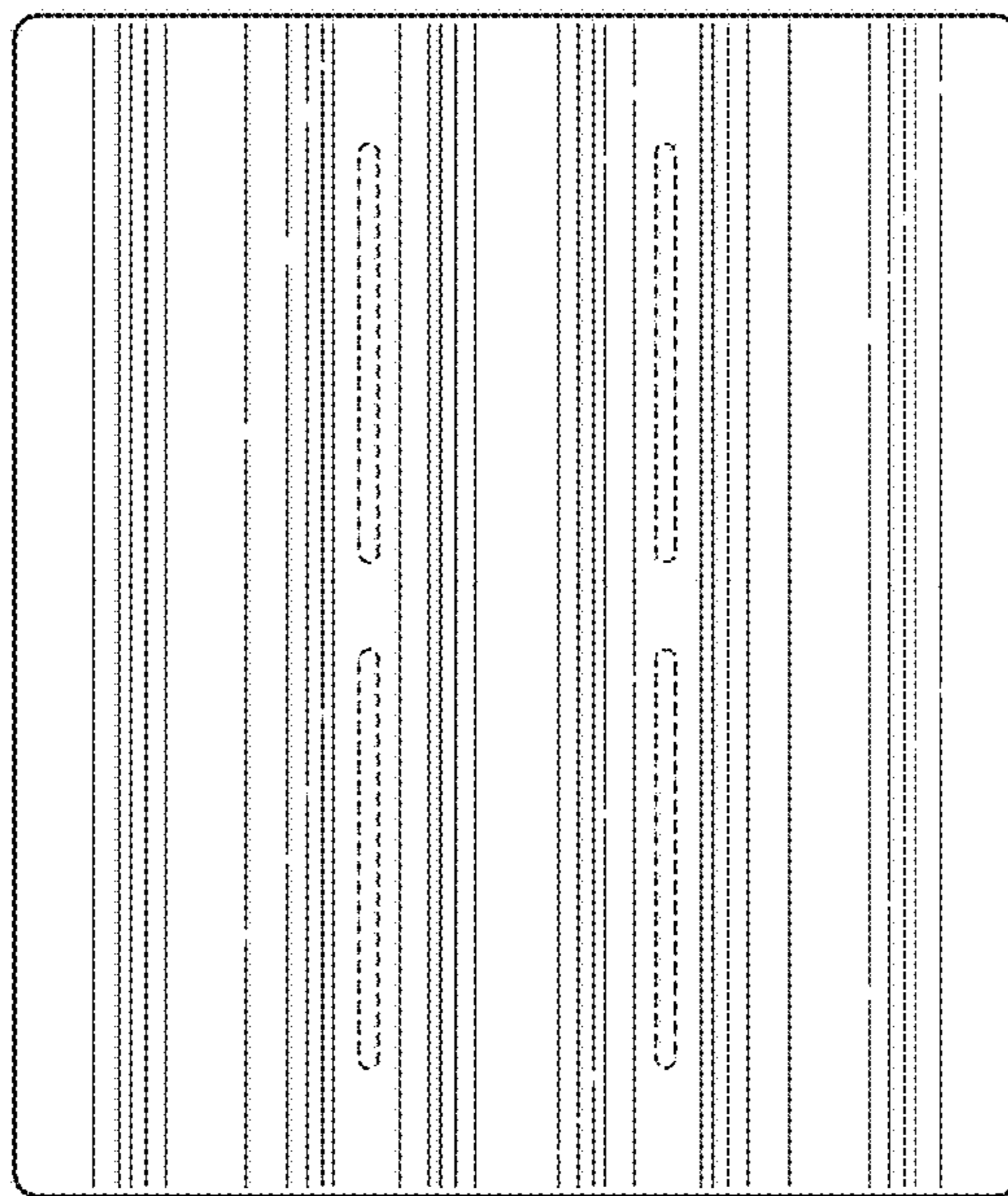


FIG. 3

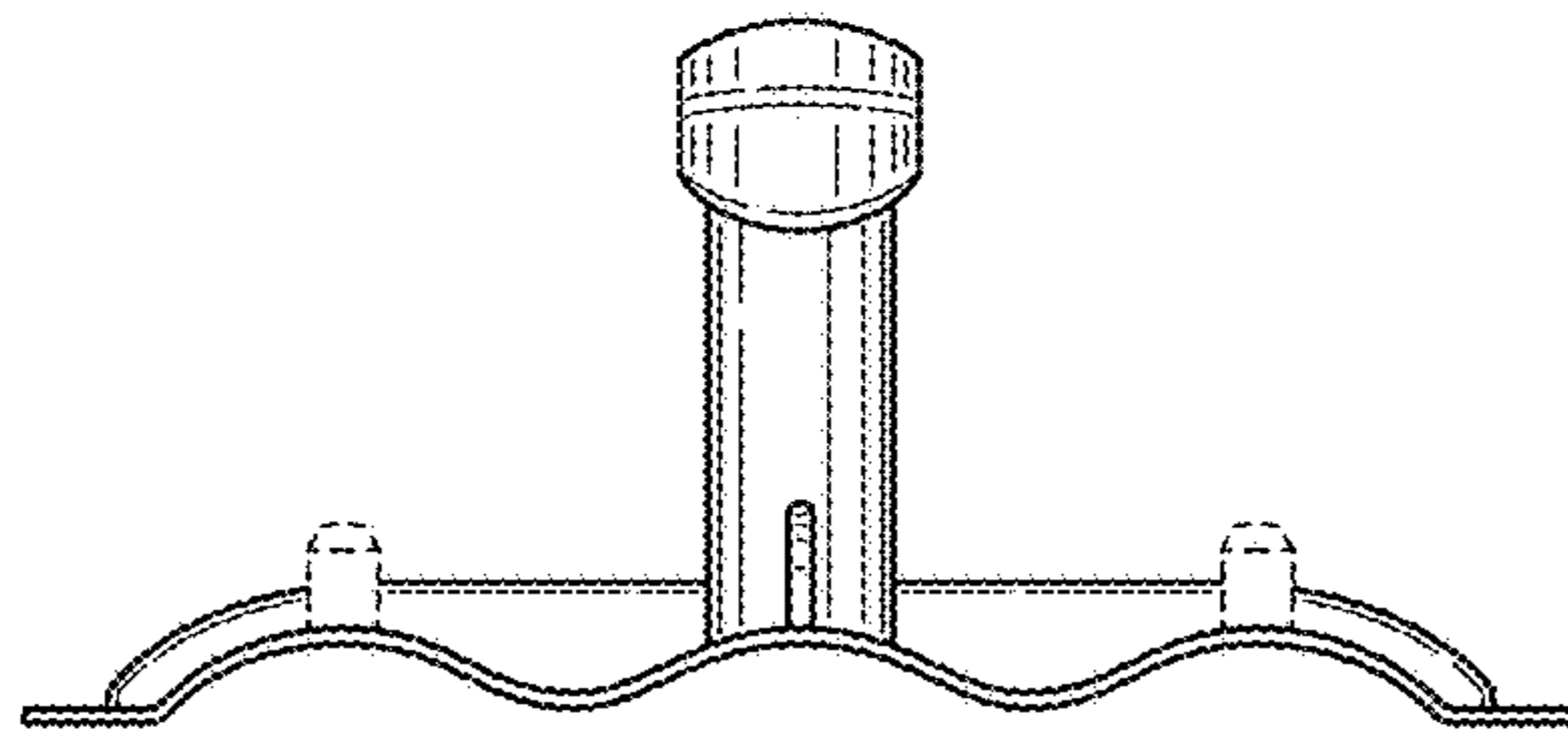


FIG. 4

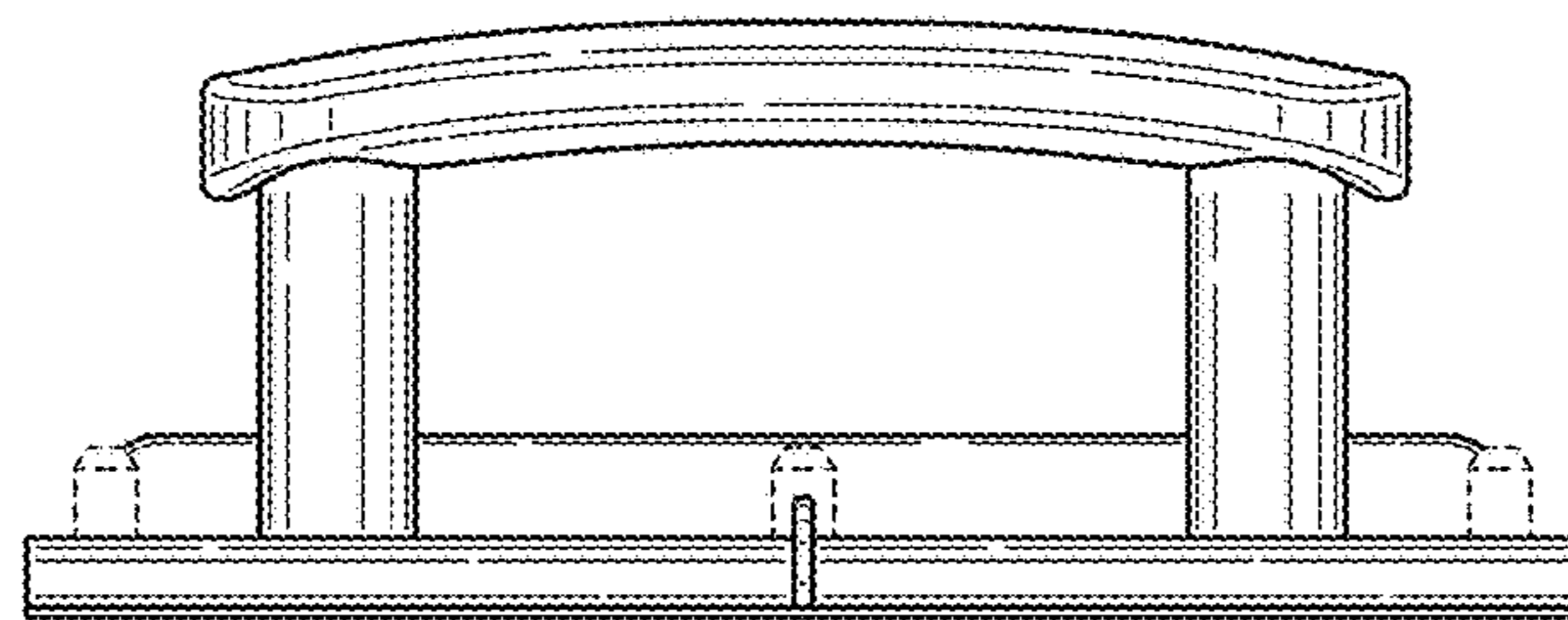


FIG. 5