



US00D902512S

(12) **United States Design Patent**
Yoon et al.

(10) **Patent No.:** **US D902,512 S**
(45) **Date of Patent:** **** Nov. 17, 2020**

(54) **WASHING MACHINE**

D731,131 S * 6/2015 Ha D32/25
D749,806 S * 2/2016 Hwang D32/25
D771,336 S * 11/2016 Kang D32/25

(71) Applicant: **SAMSUNG ELECTRONICS CO., LTD.**, Suwon-si (KR)

(Continued)

(72) Inventors: **Sanghoon Yoon**, Suwon-si (KR);
Myunggyu Kim, Suwon-si (KR);
Jaejin Lee, Suwon-si (KR)

FOREIGN PATENT DOCUMENTS

CN 304779992 * 8/2018
KR 300686126 S 3/2013

(Continued)

(73) Assignee: **SAMSUNG ELECTRONICS CO., LTD.**, Gyeonggi-Do (KR)

OTHER PUBLICATIONS

(**) Term: **15 Years**

WF9110 5.6 cu. ft. Front Load Washer | Samsung US website reviews 2015, <https://www.samsung.com/us/home-appliances/washers/front-load/wf9110-5-6-cu-ft-front-load-washer-with-erspeed-white-wf56h9110cw-a2/>, site visited Jun. 8, 2020.*

(Continued)

(21) Appl. No.: **29/684,187**

(22) Filed: **Mar. 19, 2019**

(30) **Foreign Application Priority Data**

Primary Examiner — John R Yeh

(74) *Attorney, Agent, or Firm* — Cantor Colburn LLP

Nov. 19, 2018 (KR) 30-2018-0053588

(51) **LOC (12) Cl.** **07-05**

(52) **U.S. Cl.**
USPC **D32/25**

(58) **Field of Classification Search**
USPC D32/2-3, 5-7, 12-13, 25-29
CPC A47L 15/42; A47L 15/00; B65D 47/06;
D06F 23/06; D06F 37/26
See application file for complete search history.

(57)

CLAIM

The ornamental design for a washing machine, as shown and described.

DESCRIPTION

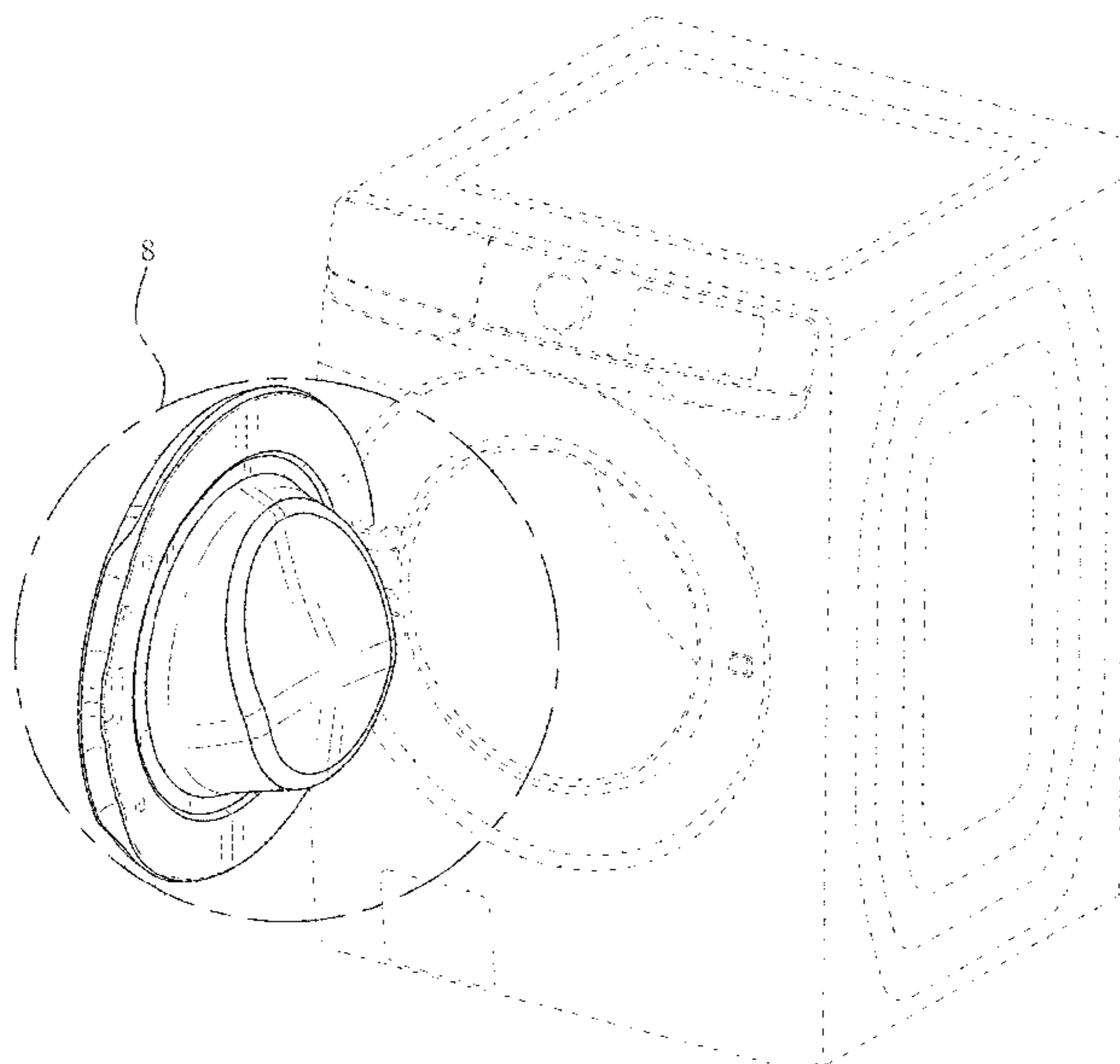
(56) **References Cited**

U.S. PATENT DOCUMENTS

D447,608 S * 9/2001 Myerscough D32/6
D506,045 S * 6/2005 No D32/25
D515,260 S * 2/2006 Ha D32/25
D588,315 S * 3/2009 Geyer D32/25
D616,163 S * 5/2010 Nam D32/25
D681,890 S * 5/2013 Anderson D32/25
D690,479 S * 9/2013 Geyer D32/25
D714,502 S * 9/2014 Jeon D32/25

FIG. 1 is a front perspective view of a washing machine, showing our new design;
FIG. 2 is a front view thereof;
FIG. 3 is a rear view thereof;
FIG. 4 is a left-side view thereof;
FIG. 5 is a right-side view thereof;
FIG. 6 is a top view thereof;
FIG. 7 is a bottom view thereof;
FIG. 8 is an enlarged view of the portion, '8' in FIG. 1; and,
FIG. 9 is an enlarged view of the portion, '9' in FIG. 6.
The dot-dash broken lines encircling enlargement portions of the design form no part of the claimed design. The broken lines illustrating portions of the washing machine form no part of the claimed design.

1 Claim, 9 Drawing Sheets



(56)

References Cited

U.S. PATENT DOCUMENTS

9,487,901 B2 * 11/2016 Kim D06F 37/28
D776,376 S * 1/2017 Geyer D32/25
D789,629 S * 6/2017 Lee D32/25
D793,636 S * 8/2017 Lee D32/25
D793,637 S * 8/2017 Lee D32/25
D819,284 S * 5/2018 Kim D32/25
D821,045 S * 6/2018 Kim D32/25
D830,018 S * 10/2018 Chung D32/25
D848,690 S * 5/2019 Ostdiek D32/25

FOREIGN PATENT DOCUMENTS

KR 300721949 S 12/2013
KR 300803797 S 11/2017
KR 300803801 S 11/2017
KR 300803802 S 11/2017
KR 301022962.0000 * 9/2019

OTHER PUBLICATIONS

Samsung Front Load Washing Machine, Home Depot website reviews Apr. 2019, <https://www.homedepot.com/p/Samsung-4-5-cu-ft-High-Efficiency-Champagne-Front-Load> . . . site visited Jun. 8, 2020.*

* cited by examiner

FIG. 1

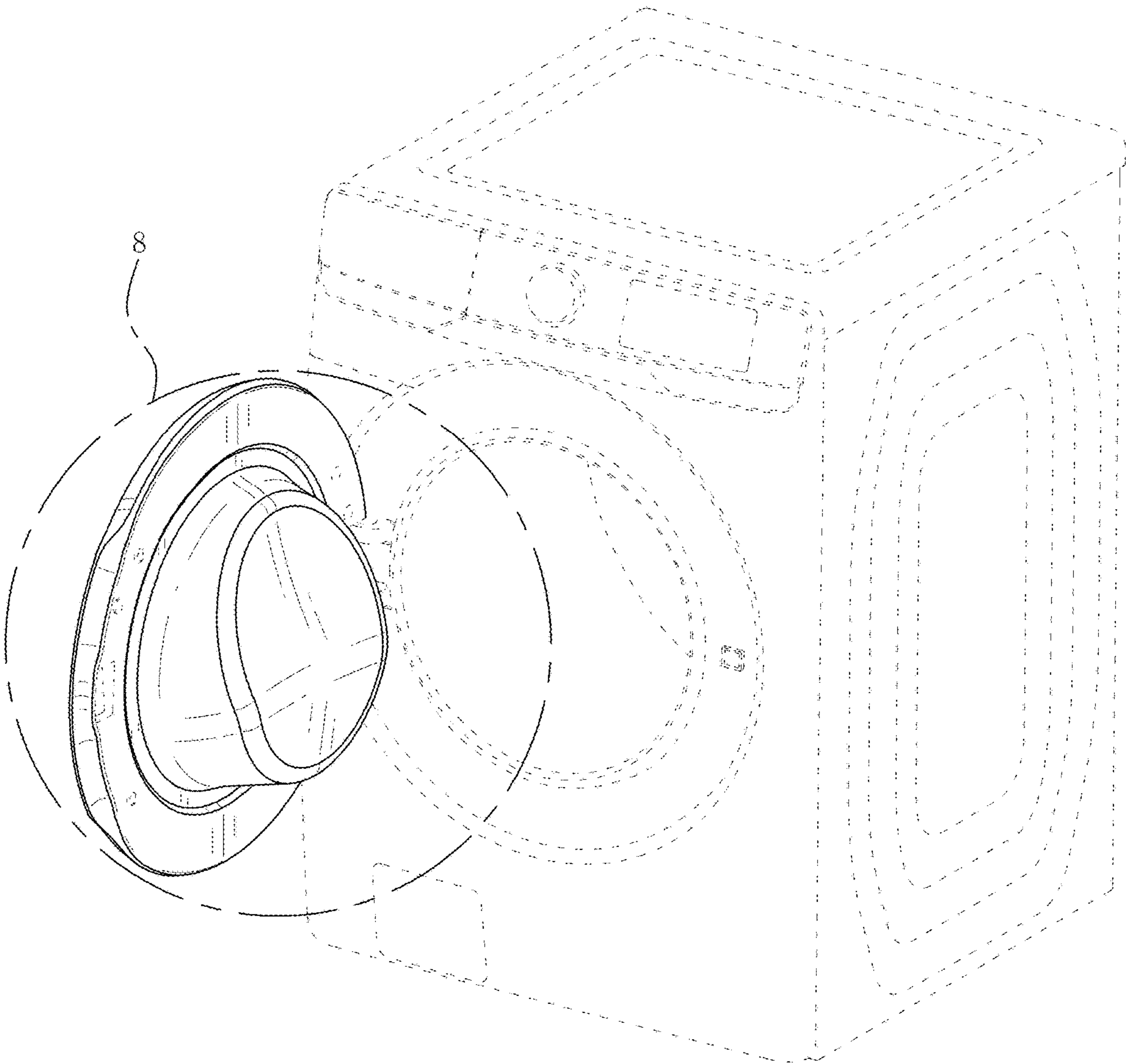


FIG. 2

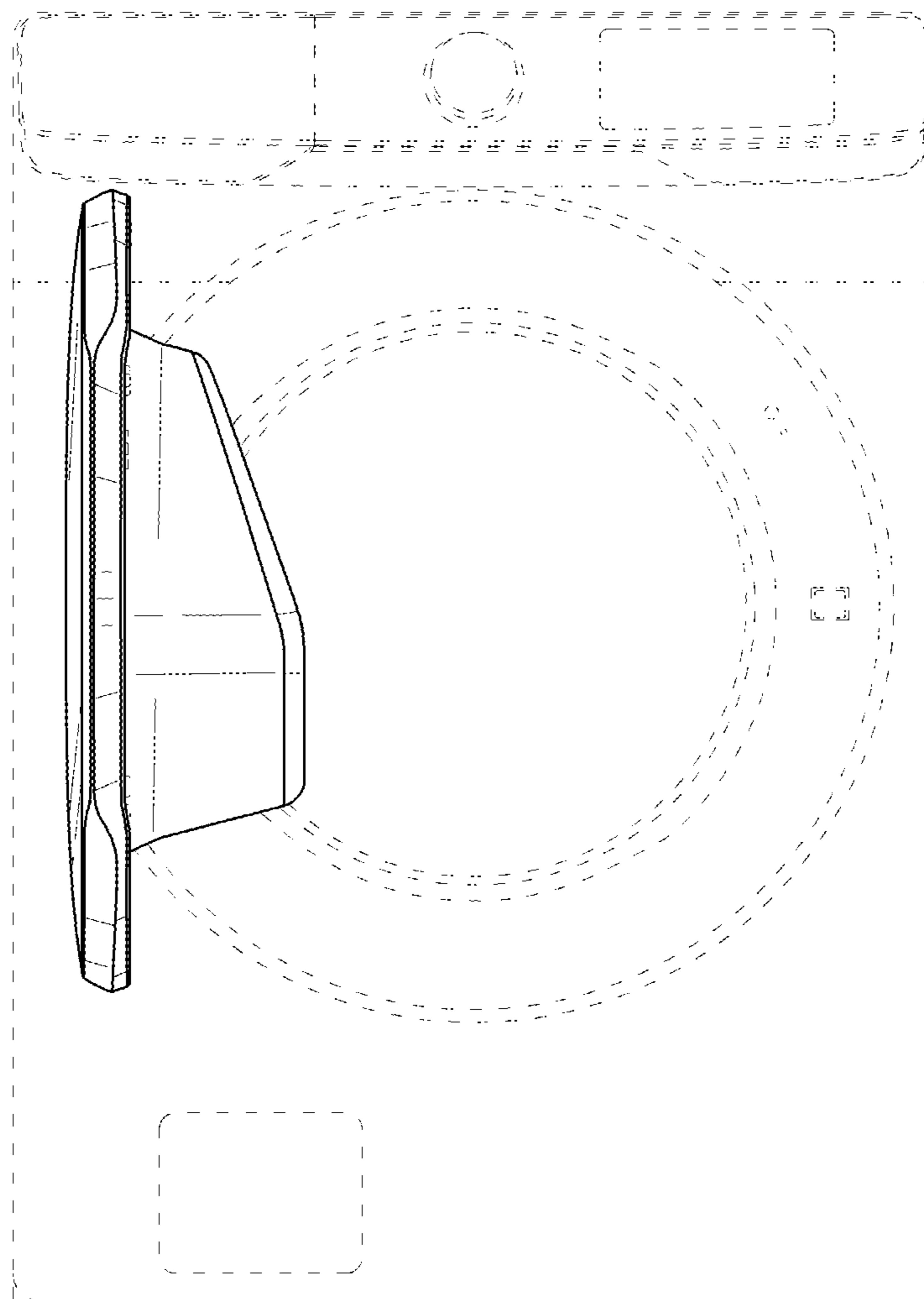


FIG. 3



FIG. 4

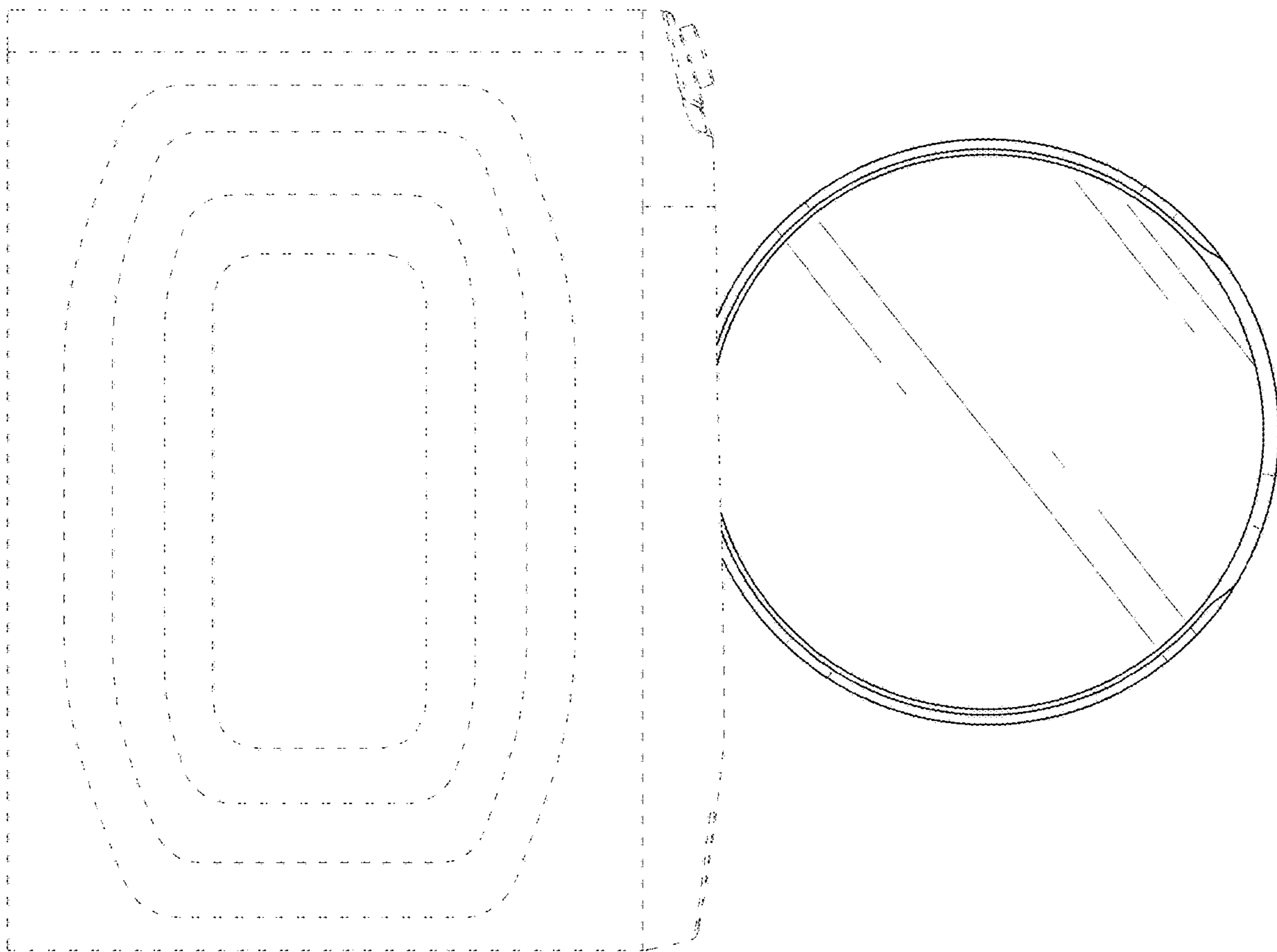


FIG. 5

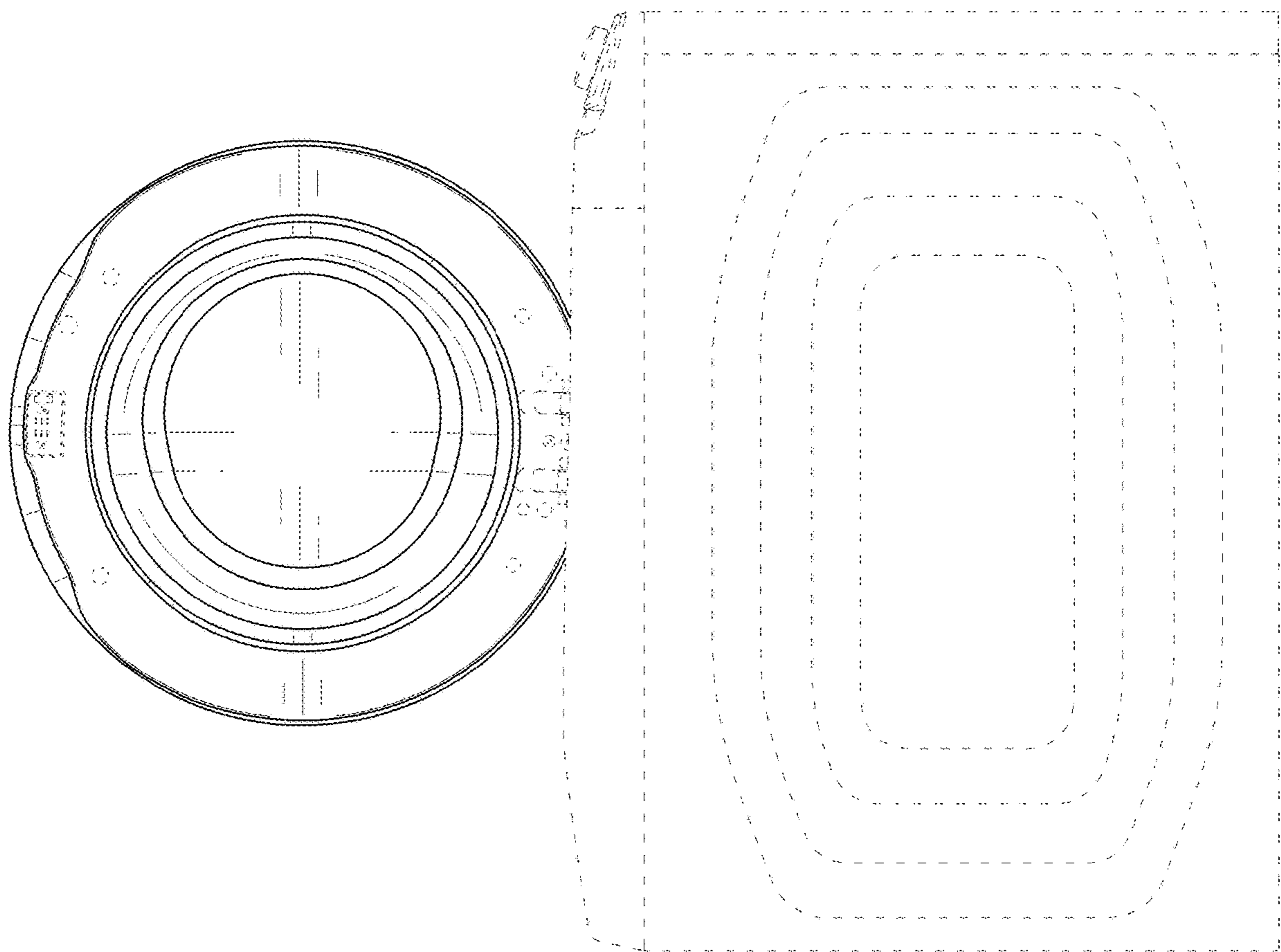


FIG. 6

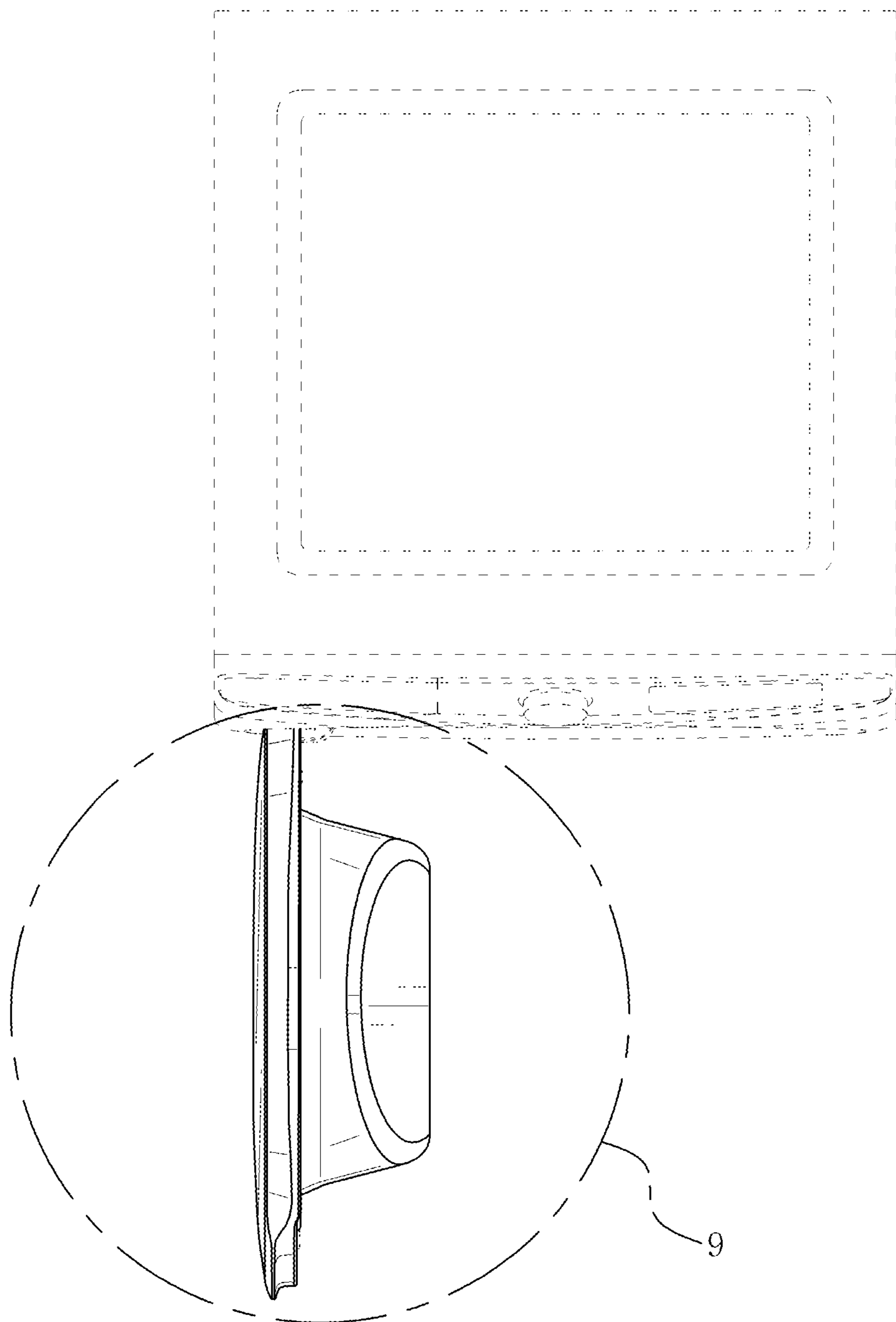


FIG. 7

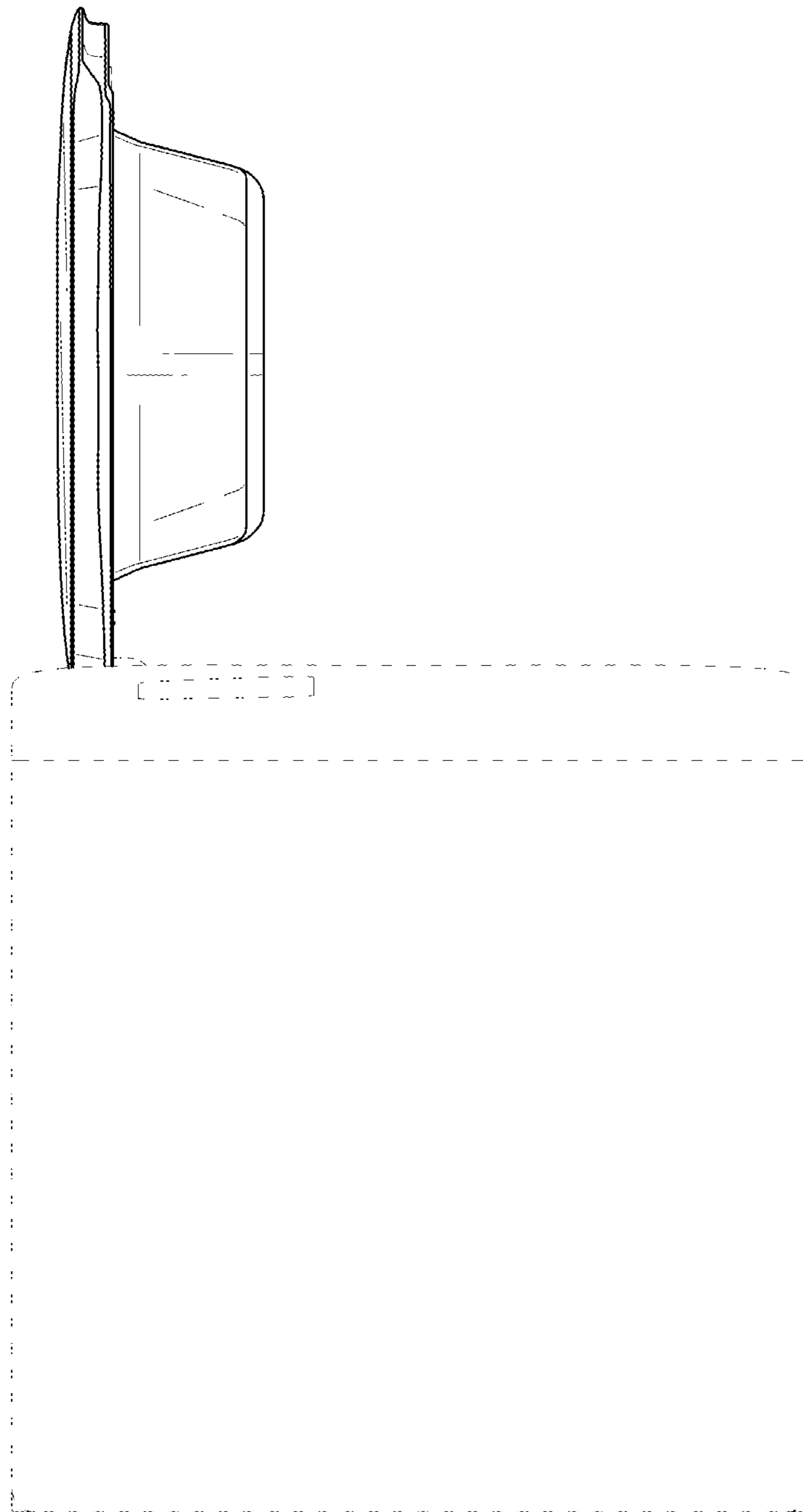


FIG. 8

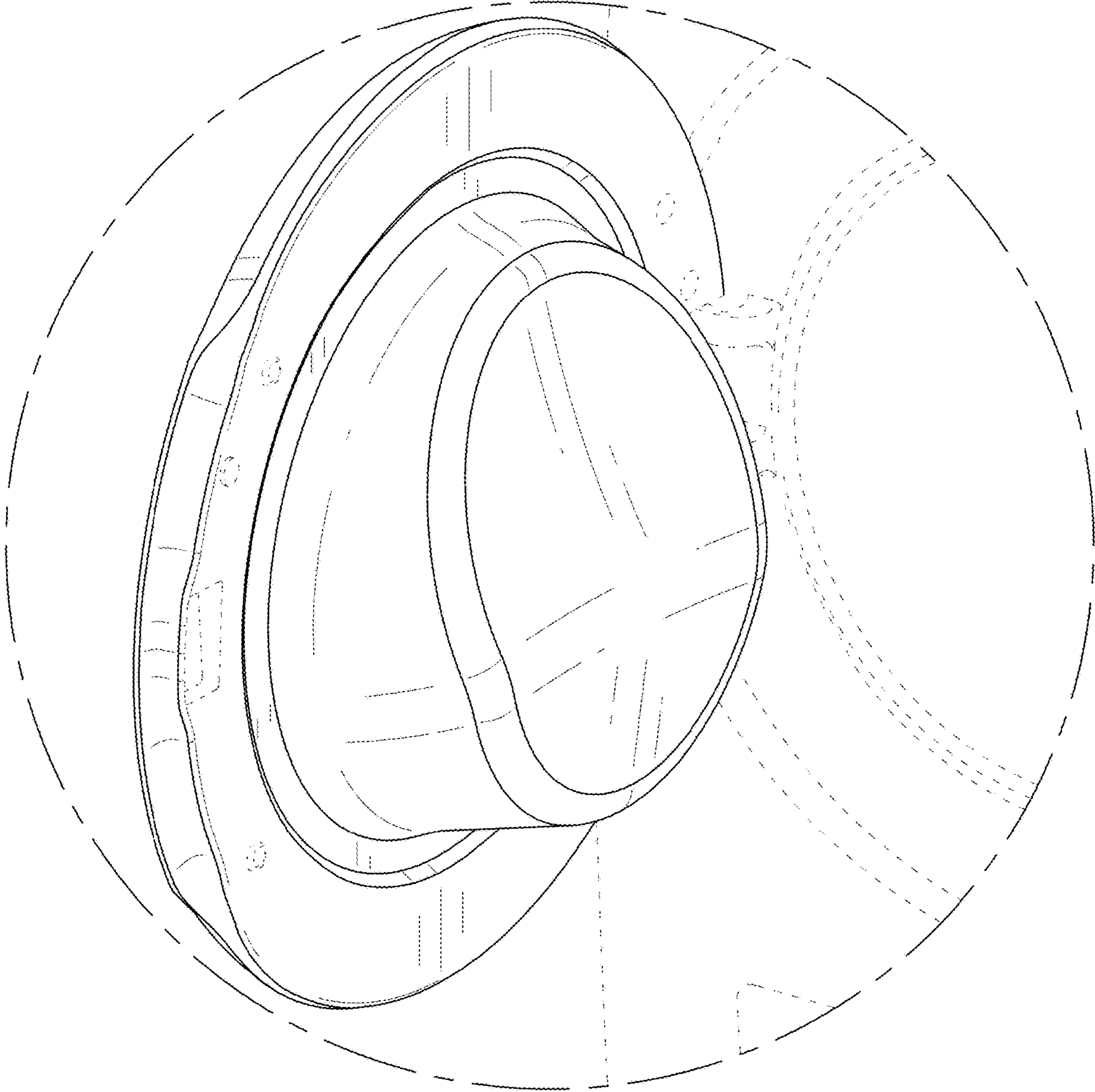


FIG. 9

