



US00D902511S

(12) **United States Design Patent** (10) **Patent No.:** **US D902,511 S**  
**Yoon et al.** (45) **Date of Patent:** **\*\* Nov. 17, 2020**

(54) **WASHING MACHINE**

FOREIGN PATENT DOCUMENTS

(71) Applicant: **SAMSUNG ELECTRONICS CO., LTD.**, Suwon-si (KR)

CN 303075570 S 1/2015  
CN 303988204 S 12/2016

(Continued)

(72) Inventors: **Sanghoon Yoon**, Suwon-si (KR); **Myunggyu Kim**, Suwon-si (KR); **Yuna Park**, Suwon-si (KR); **Jaemin Lee**, Suwon-si (KR)

OTHER PUBLICATIONS

Samsung Front Load Washing Machine, Home Depot website reviews Apr. 2019, [https://www.homedepot.com/p/Samsung-4-5-cu-ft-High-Efficiency-Champagne-Front-Load . . .](https://www.homedepot.com/p/Samsung-4-5-cu-ft-High-Efficiency-Champagne-Front-Load...) site visited Jun. 8, 2020.\*

(73) Assignee: **SAMSUNG ELECTRONICS CO., LTD.**, Gyeonggi-Do (KR)

(\*\*) Term: **15 Years**

*Primary Examiner* — John R Yeh

(21) Appl. No.: **29/683,456**

(74) *Attorney, Agent, or Firm* — Cantor Colburn LLP

(22) Filed: **Mar. 13, 2019**

(57) **CLAIM**

(30) **Foreign Application Priority Data**

The ornamental design for a washing machine, as shown and described.

Nov. 19, 2018 (KR) ..... 30-2018-0053584

(51) **LOC (12) Cl.** ..... **07-05**

**DESCRIPTION**

(52) **U.S. Cl.**  
USPC ..... **D32/25**

(58) **Field of Classification Search**  
USPC ..... D32/2-3, 5-7, 12-13, 25-29.1; D14/230  
CPC ..... A47L 15/42; A47L 15/00; B65D 47/06;  
D06F 23/06; D06F 37/26  
See application file for complete search history.

FIG. 1 is a front perspective view of a washing machine, showing our new design;  
FIG. 2 is a front view thereof;  
FIG. 3 is a rear view thereof;  
FIG. 4 is a left-side view thereof;  
FIG. 5 is a right-side view thereof;  
FIG. 6 is a top view thereof;  
FIG. 7 is a bottom view thereof;  
FIG. 8 is an enlarged view of the encircled portion '8' in FIG. 1;  
FIG. 9 is an enlarged view of the encircled portion '9' in FIG. 4; and,  
FIG. 10 is an enlarged view of the encircled portion '10' in FIG. 5.

(56) **References Cited**

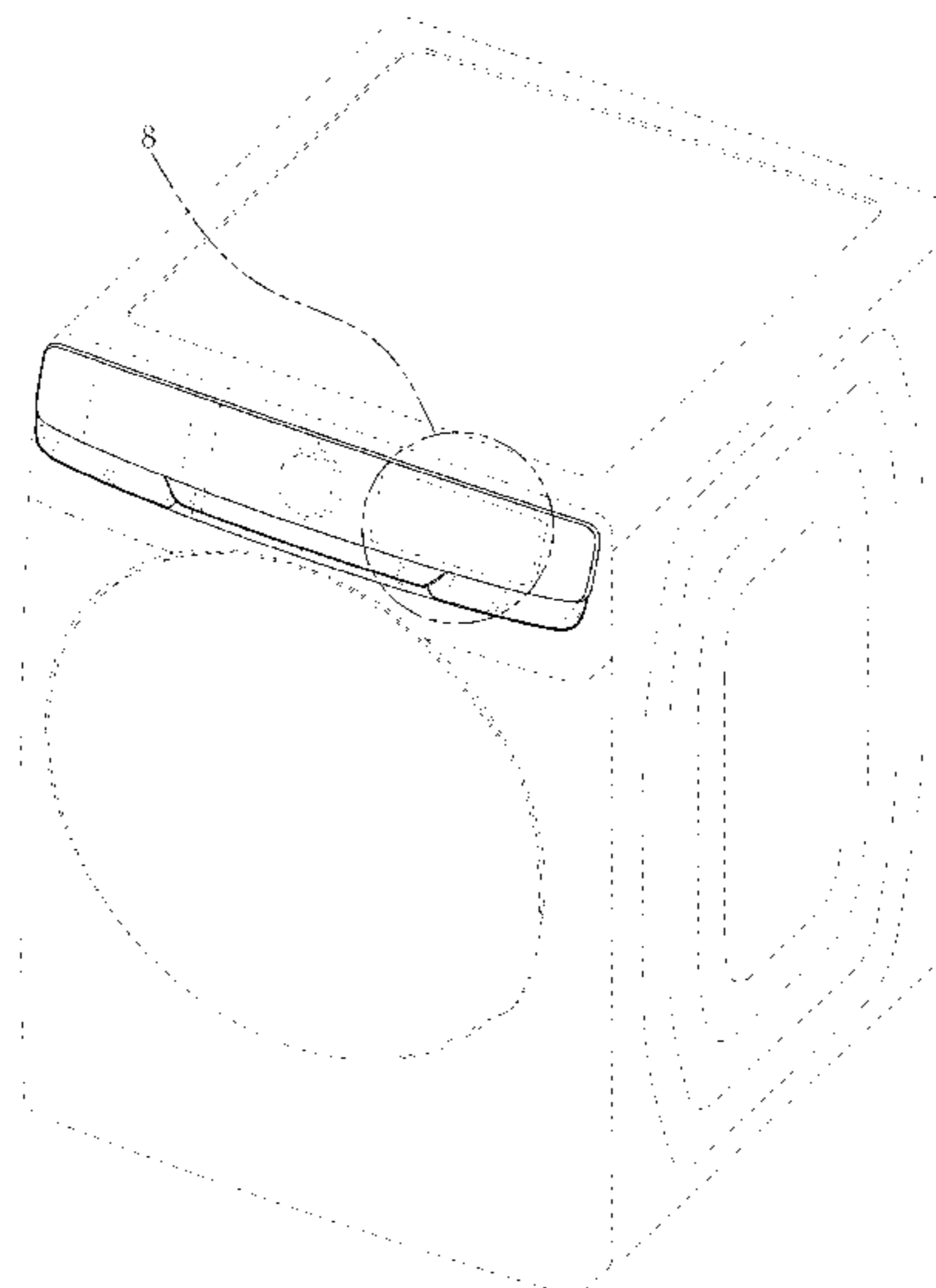
U.S. PATENT DOCUMENTS

D459,844 S \* 7/2002 Baldwin ..... D32/6  
D582,105 S \* 12/2008 Cho ..... D32/6  
D620,648 S \* 7/2010 Grobleben ..... D32/3  
D703,884 S \* 4/2014 Ha ..... D32/6  
D729,996 S \* 5/2015 Hwang ..... D32/6  
D731,126 S \* 6/2015 Ha ..... D32/6  
D731,127 S \* 6/2015 Ha ..... D32/6  
D731,128 S \* 6/2015 Ha ..... D32/6  
D732,763 S \* 6/2015 Hwang ..... D32/6

The even-dash broken lines illustrating portions of the washing machine form no part of the claimed design. The dot-dot-dash broken lines encircling enlargement portions of the claimed design form no part of the claimed design.

(Continued)

**1 Claim, 10 Drawing Sheets**



(56)

**References Cited**

U.S. PATENT DOCUMENTS

D735,424 S \* 7/2015 Ha ..... D32/6  
D735,425 S \* 7/2015 Choi ..... D32/6  
D773,755 S \* 12/2016 Hwang ..... D32/6  
D773,757 S \* 12/2016 Hwang ..... D32/6  
D778,009 S \* 1/2017 Roberson ..... D32/3  
D785,256 S \* 4/2017 Yoon ..... D32/25  
D785,257 S \* 4/2017 Kim ..... D32/25  
D785,881 S \* 5/2017 Yoon ..... D32/25  
D809,724 S \* 2/2018 Yoon ..... D32/29.1  
D811,029 S \* 2/2018 Yoon ..... D32/29.1  
D857,318 S \* 8/2019 Yoon ..... D32/29.1  
D858,011 S \* 8/2019 Xie ..... D32/6  
D860,552 S \* 9/2019 Roberson ..... D32/3

FOREIGN PATENT DOCUMENTS

CN 304705656 S 6/2018  
KR 300940499.0000 \* 1/2018  
WO D089880-0003 4/2016  
WO D089880-0005 4/2016

\* cited by examiner

FIG. 1

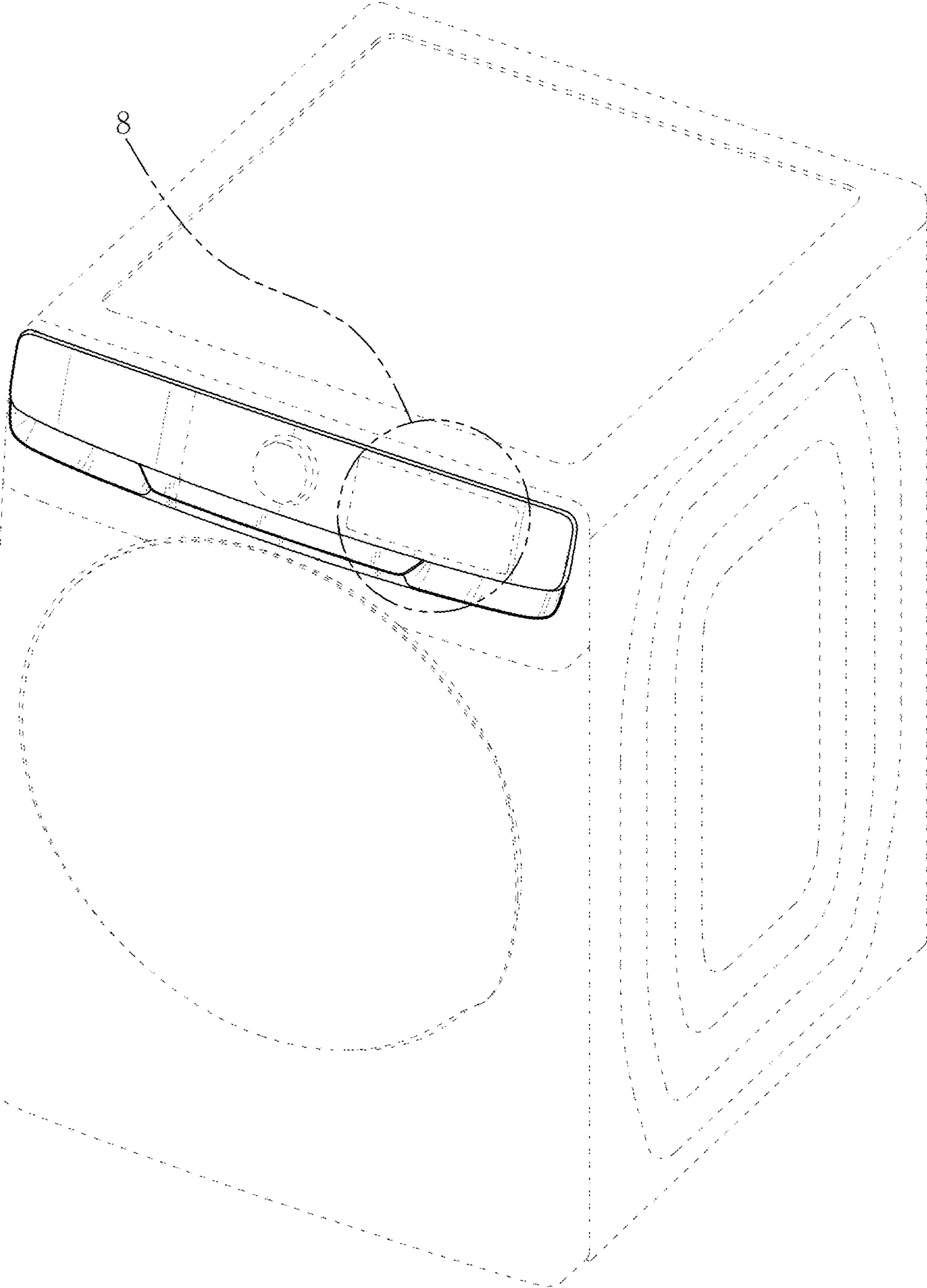


FIG. 2

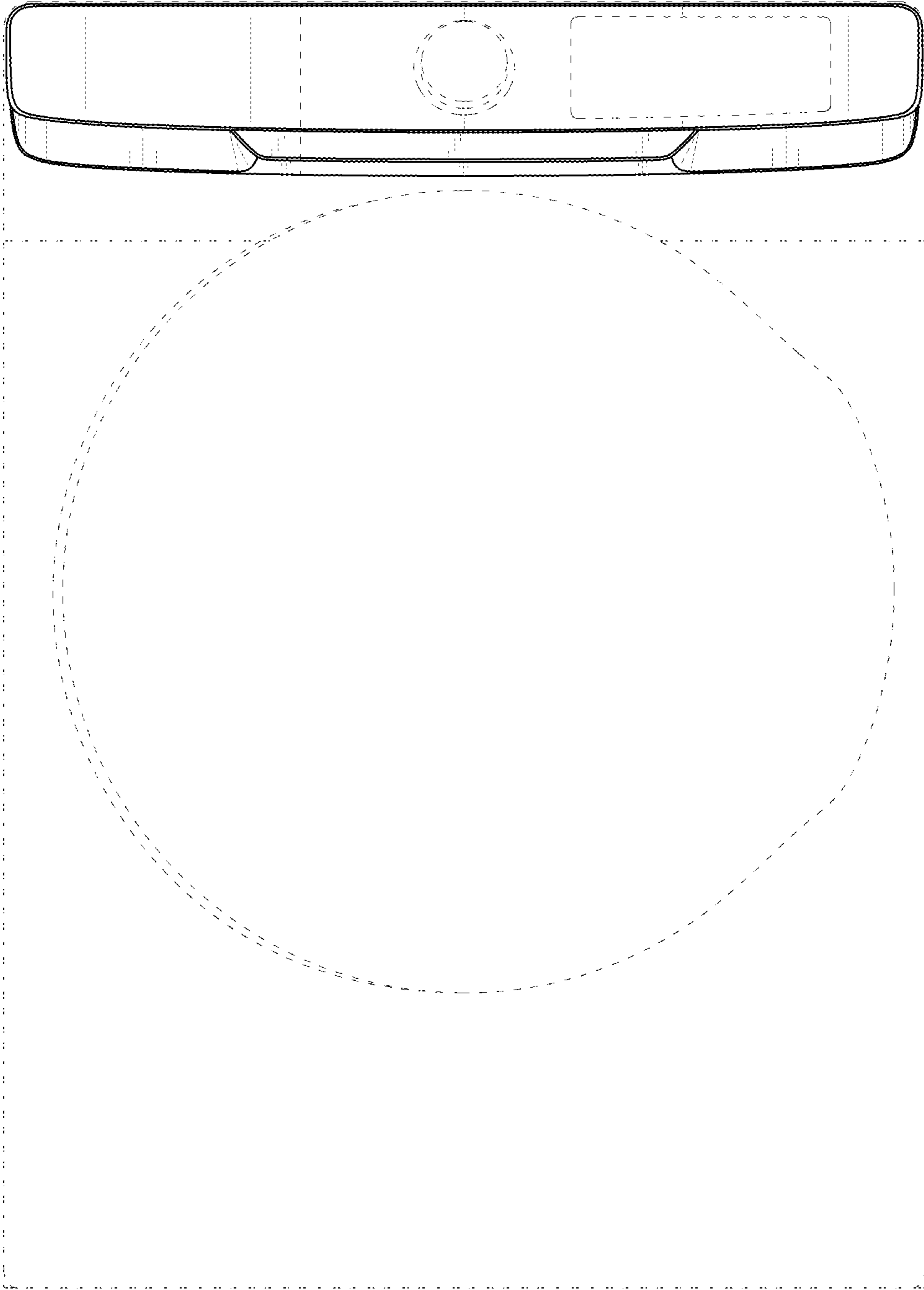


FIG. 3



FIG. 4

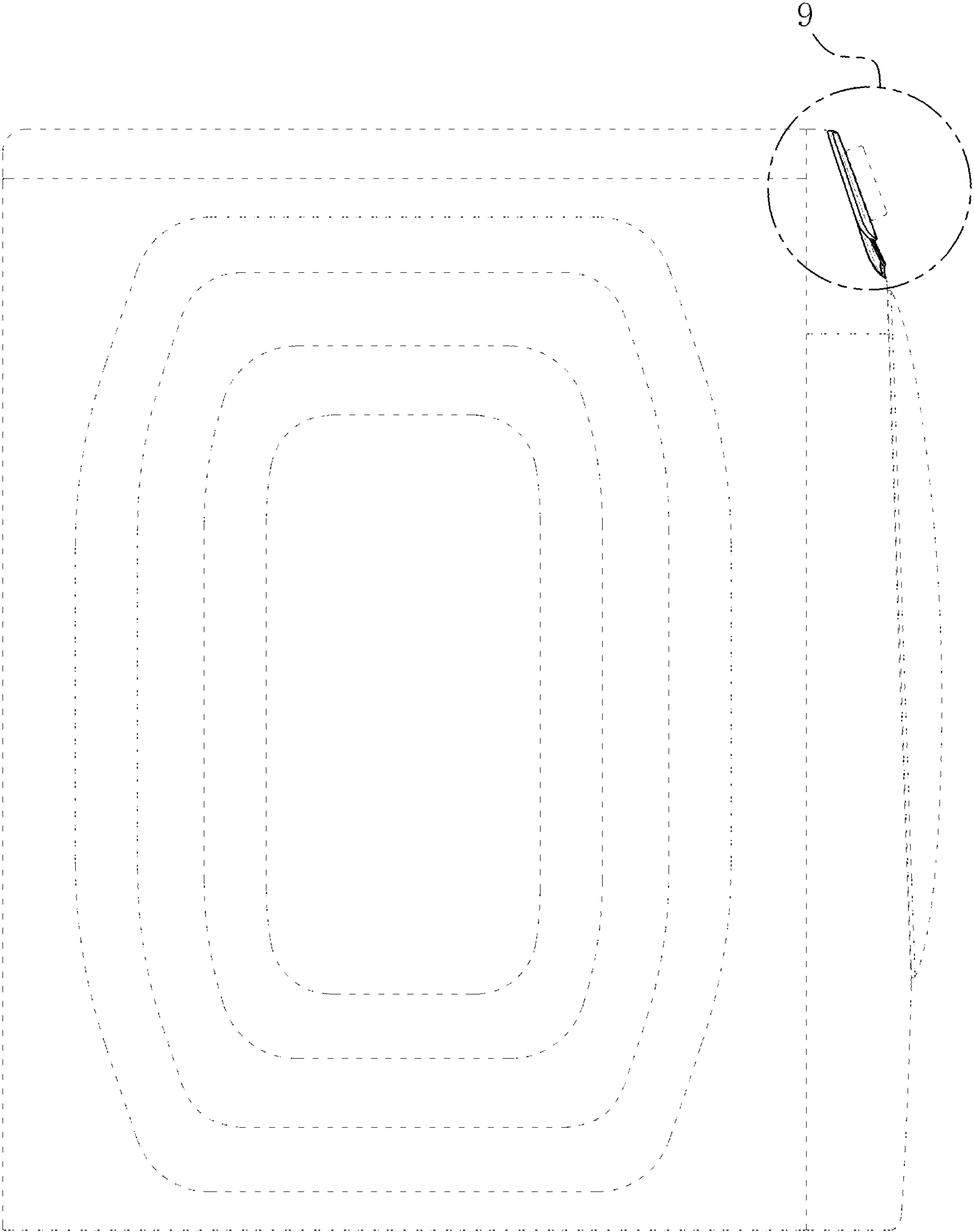


FIG. 5

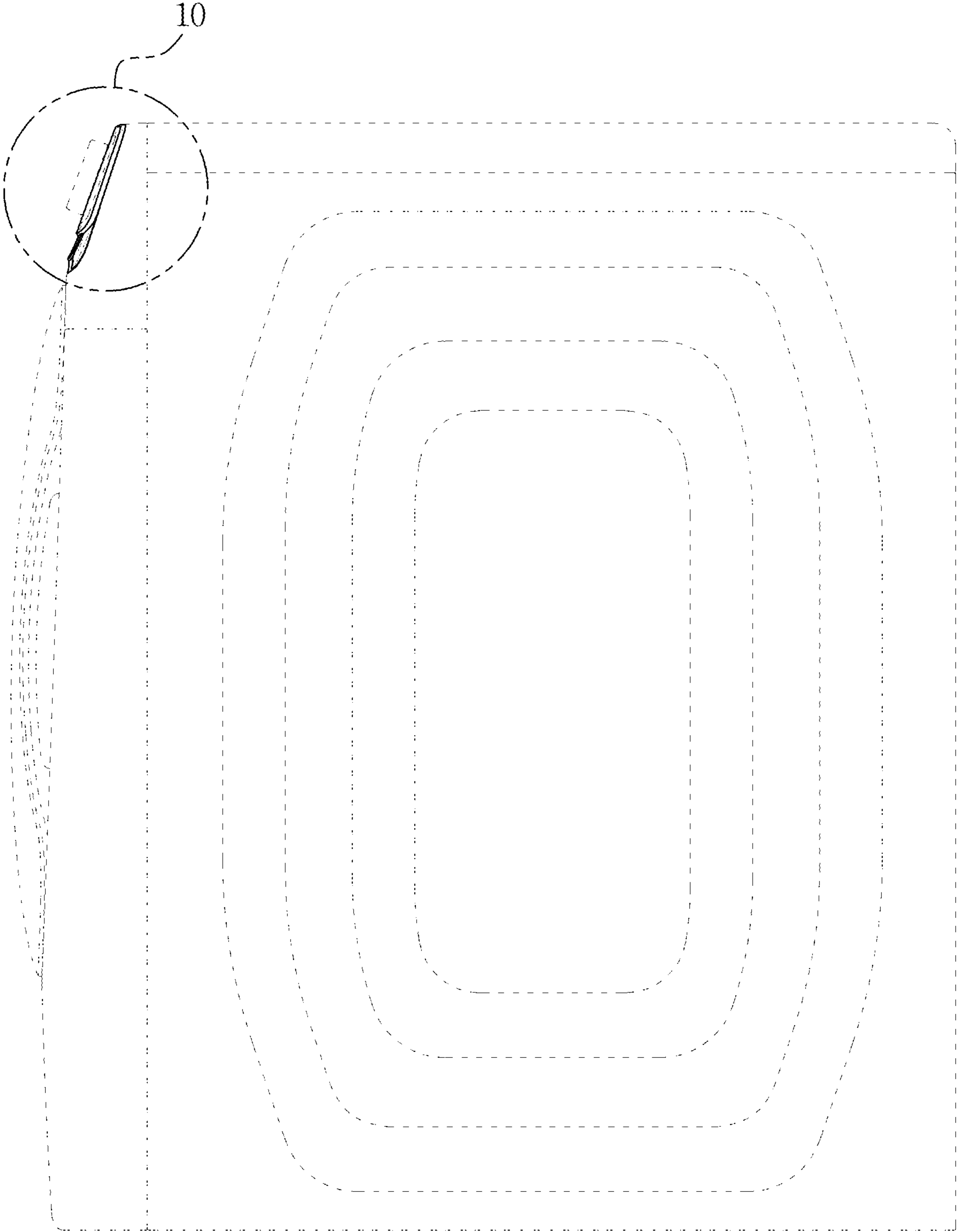


FIG. 6

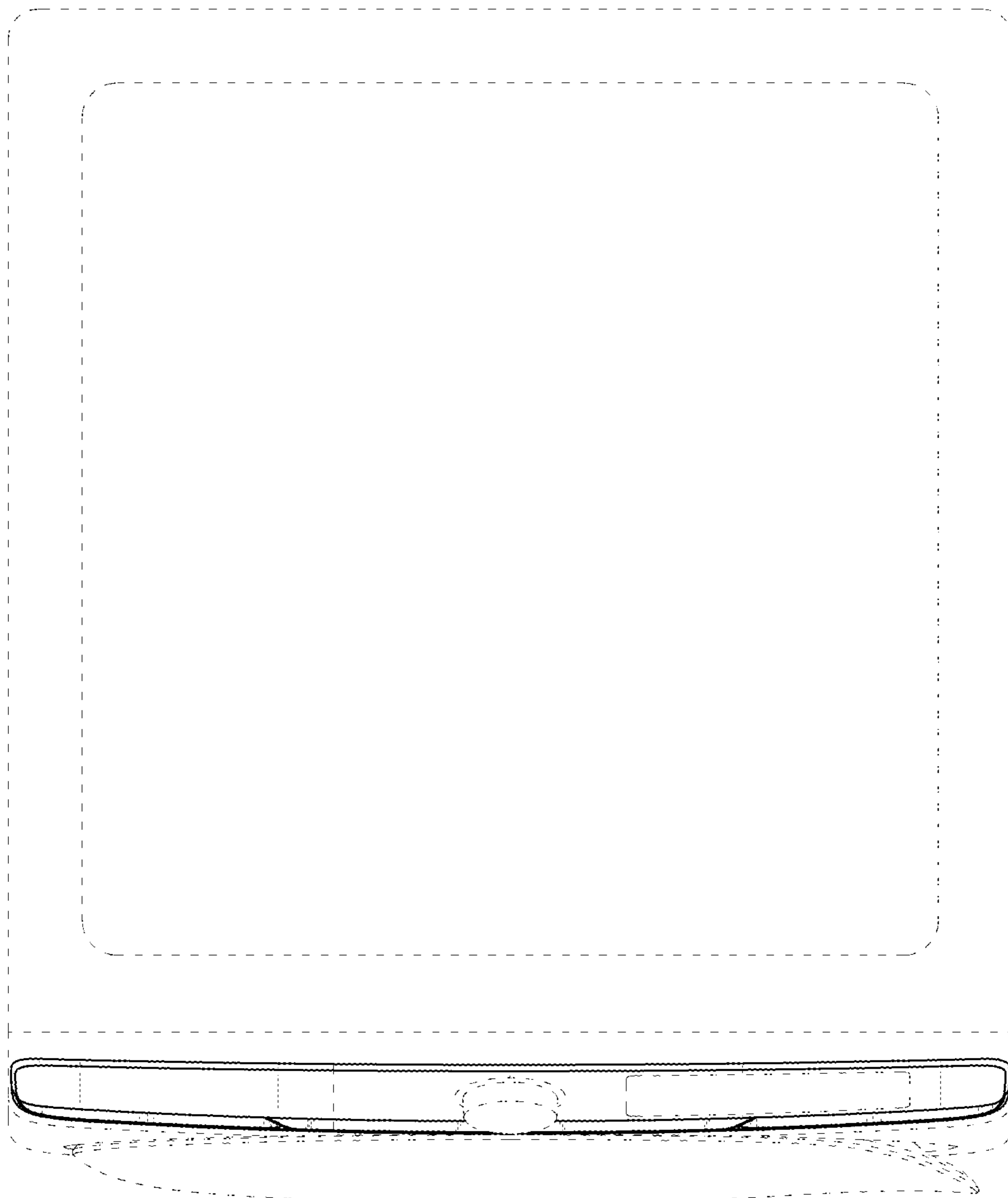




FIG. 7



FIG. 8

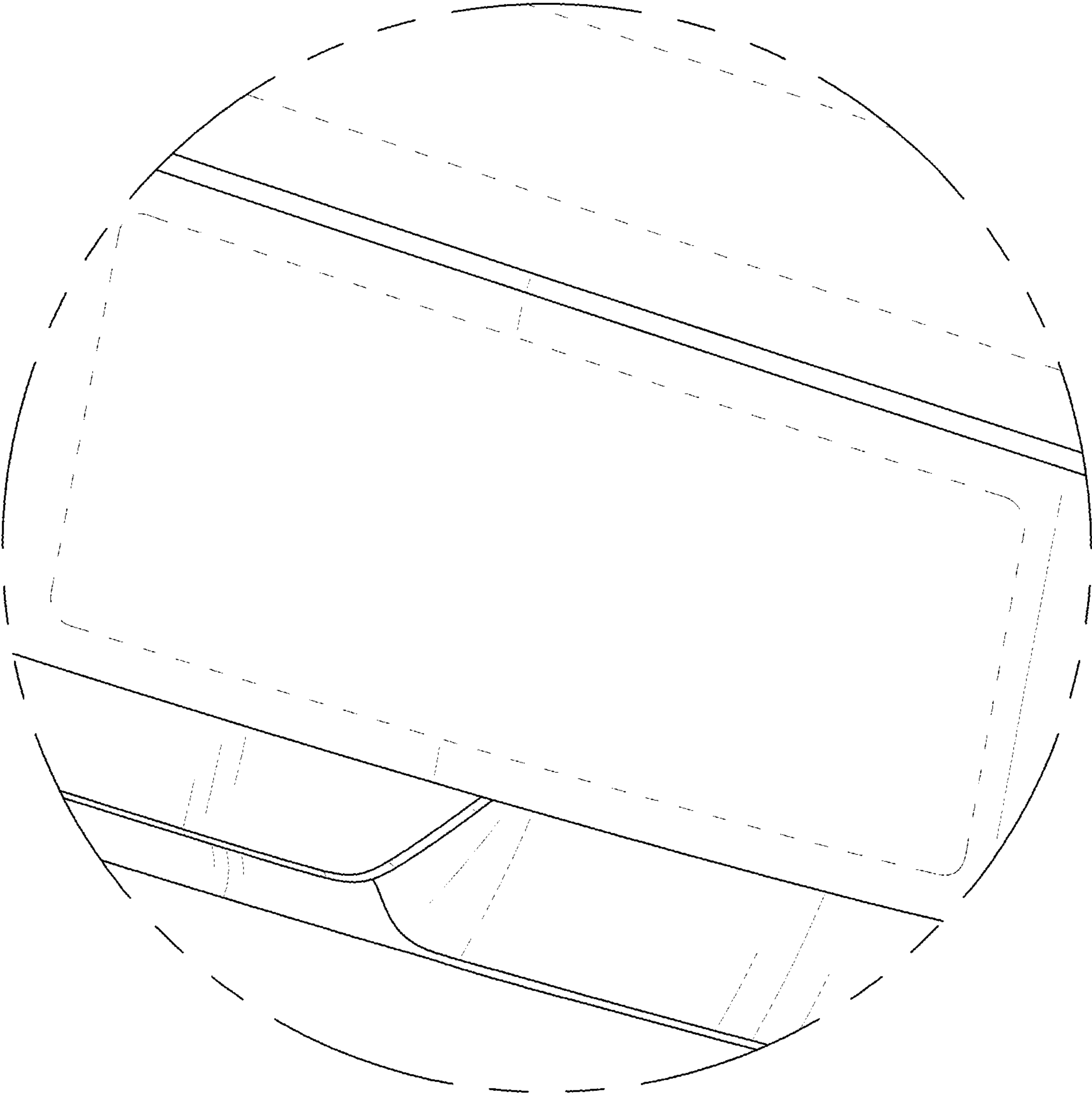


FIG. 9

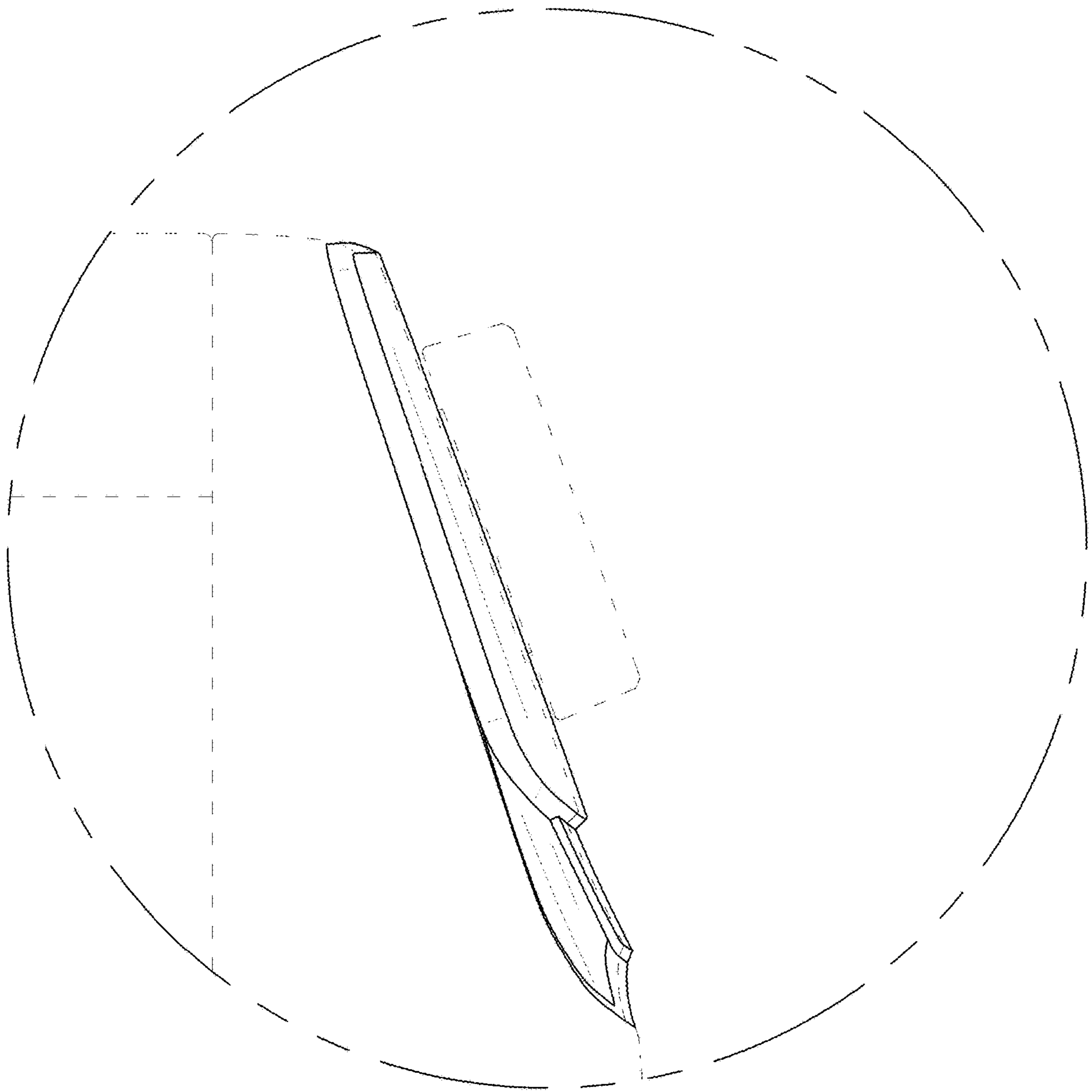


FIG. 10

