



US00D902510S

(12) **United States Design Patent**
Knight Adams et al.

(10) **Patent No.:** **US D902,510 S**

(45) **Date of Patent:** **** *Nov. 17, 2020**

(54) **VACCUUM CLEANER**

(71) Applicant: **Grey Technology Limited**, Warndon (GB)

(72) Inventors: **Jack Knight Adams**, Warndon (GB);
Ross Exley, Warndon (GB)

(*) Notice: This patent is subject to a terminal disclaimer.

(**) Term: **15 Years**

(21) Appl. No.: **29/623,078**

(22) Filed: **Oct. 23, 2017**

(51) **LOC (12) Cl.** **15-05**

(52) **U.S. Cl.**
USPC **D32/22**

(58) **Field of Classification Search**
USPC D32/17, 18, 22, 31, 35, 45, 52
CPC ... A47L 5/24; A47L 5/362; A47L 5/36; A47L 5/28; A47L 9/102; A47L 9/1683; B01D 50/002

See application file for complete search history.

(56) **References Cited**

U.S. PATENT DOCUMENTS

D668,010 S * 9/2012 Stickney D32/18
D731,130 S * 6/2015 Dyson D32/18

D738,584 S * 9/2015 Niedzwecki D32/18
D798,009 S * 9/2017 Salagnac D32/18
D799,767 S * 10/2017 Palladino D32/22
D819,282 S * 5/2018 Kim D32/22
D824,616 S * 7/2018 Ward D32/22
D827,232 S * 8/2018 Lim D32/18
D830,016 S * 10/2018 Lim D32/22
D830,017 S * 10/2018 Nam D32/22
D838,067 S * 1/2019 Irfan A47L 5/26
D32/22
D840,615 S * 2/2019 Burgess D32/18
D844,915 S * 4/2019 Gammack D32/22

* cited by examiner

Primary Examiner — Michael A. Pratt

(74) *Attorney, Agent, or Firm* — Rick B. Yeager

(57) **CLAIM**

The ornamental design for a vacuum cleaner, as shown and described.

DESCRIPTION

FIG. 1 is a rear view of a vacuum cleaner shown in a position of use.

FIG. 2 is a front view thereof.

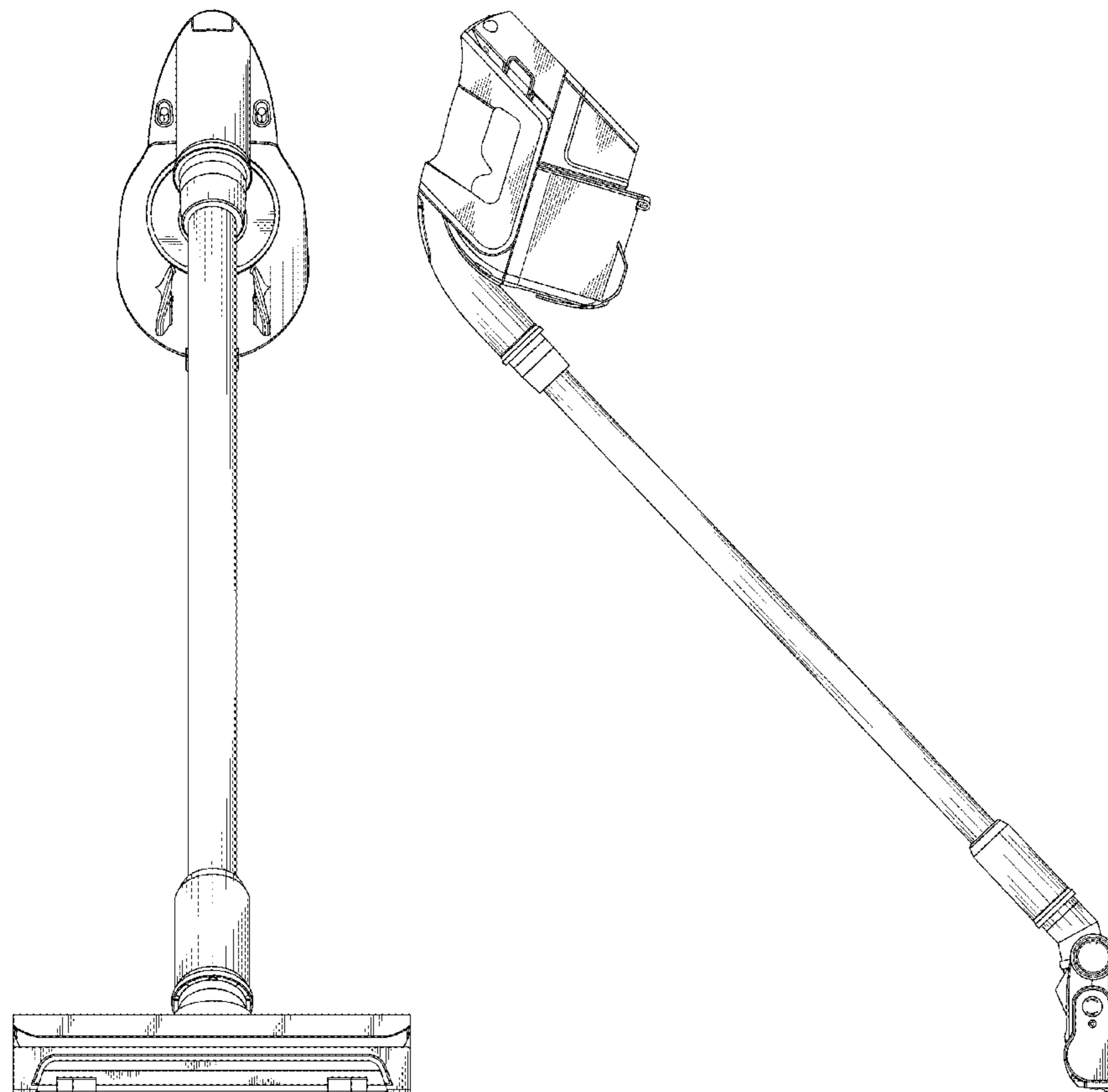
FIG. 3 is a first side view thereof.

FIG. 4 is a front perspective view thereof.

FIG. 5 is a second side view thereof; and,

FIG. 6 is a top view thereof.

1 Claim, 6 Drawing Sheets



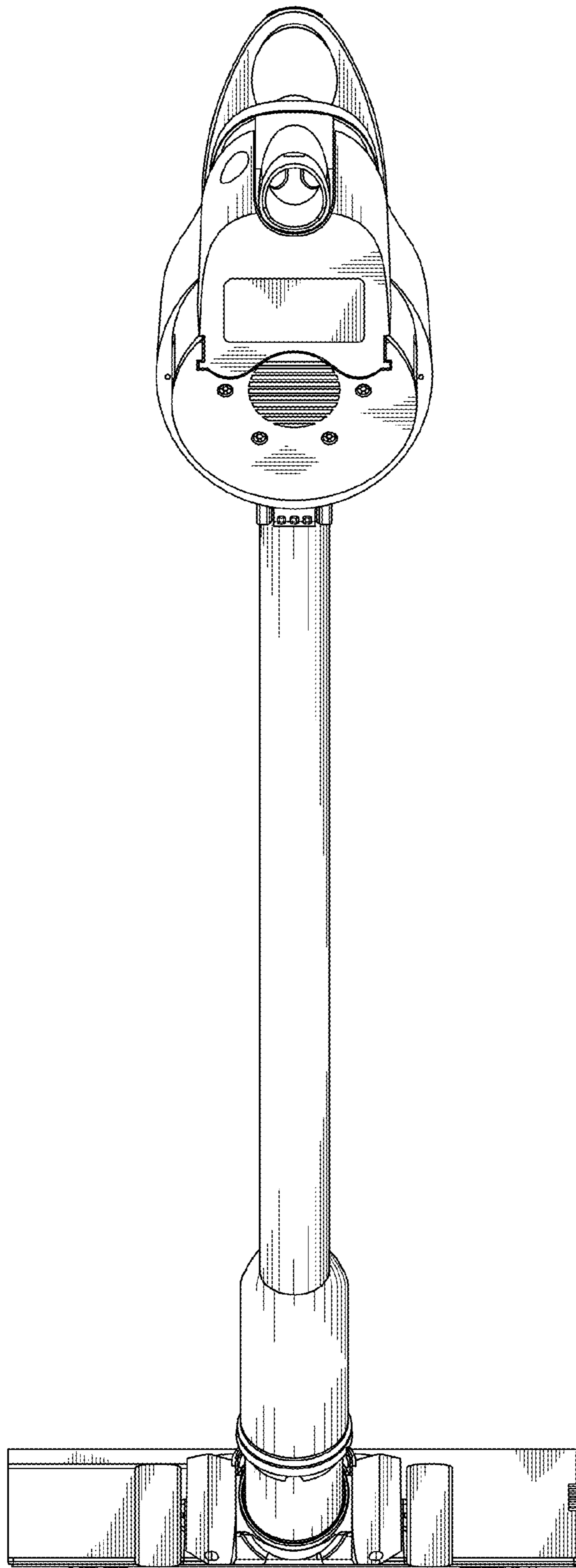


FIG. 1

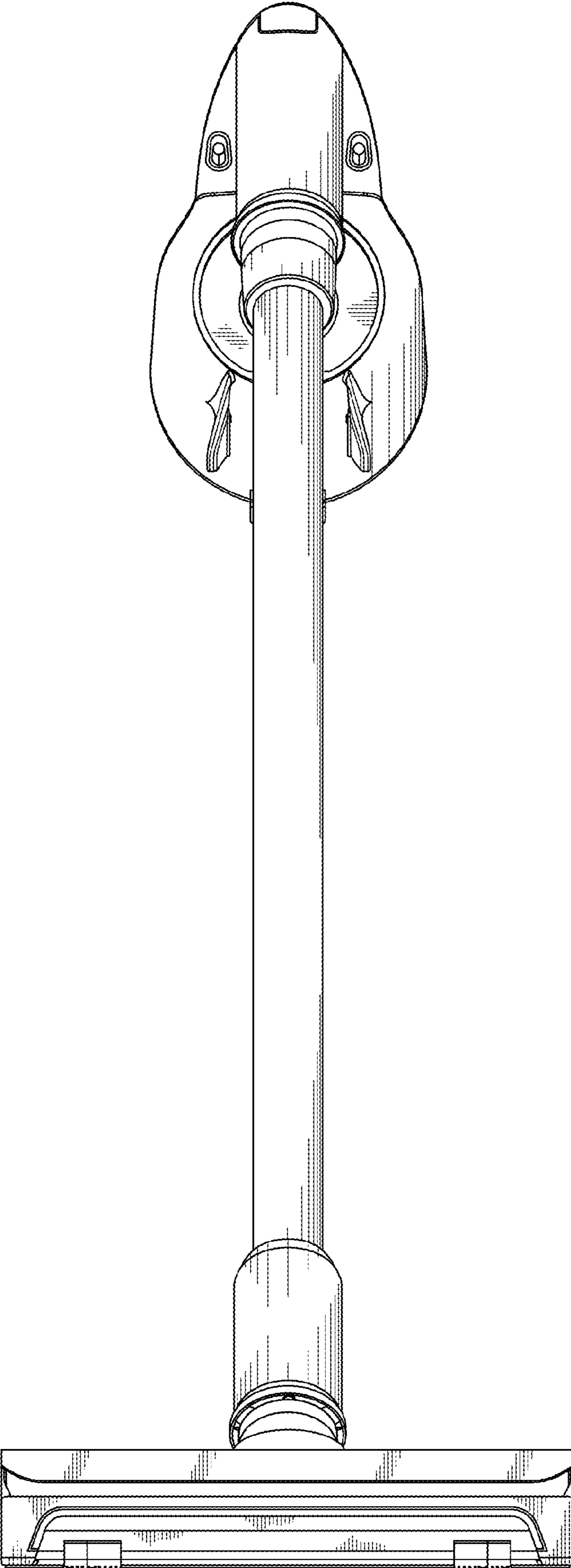


FIG. 2

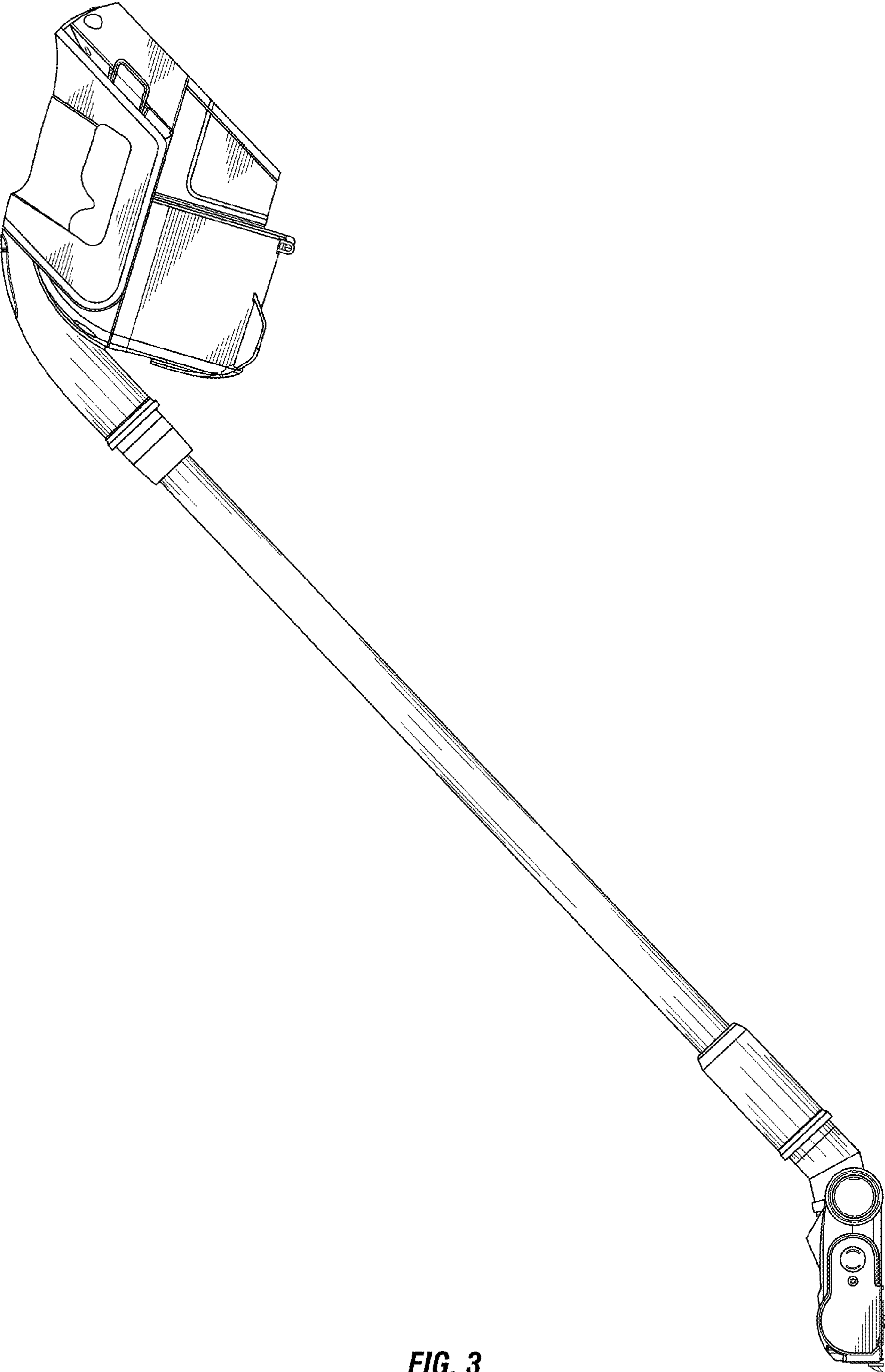


FIG. 3

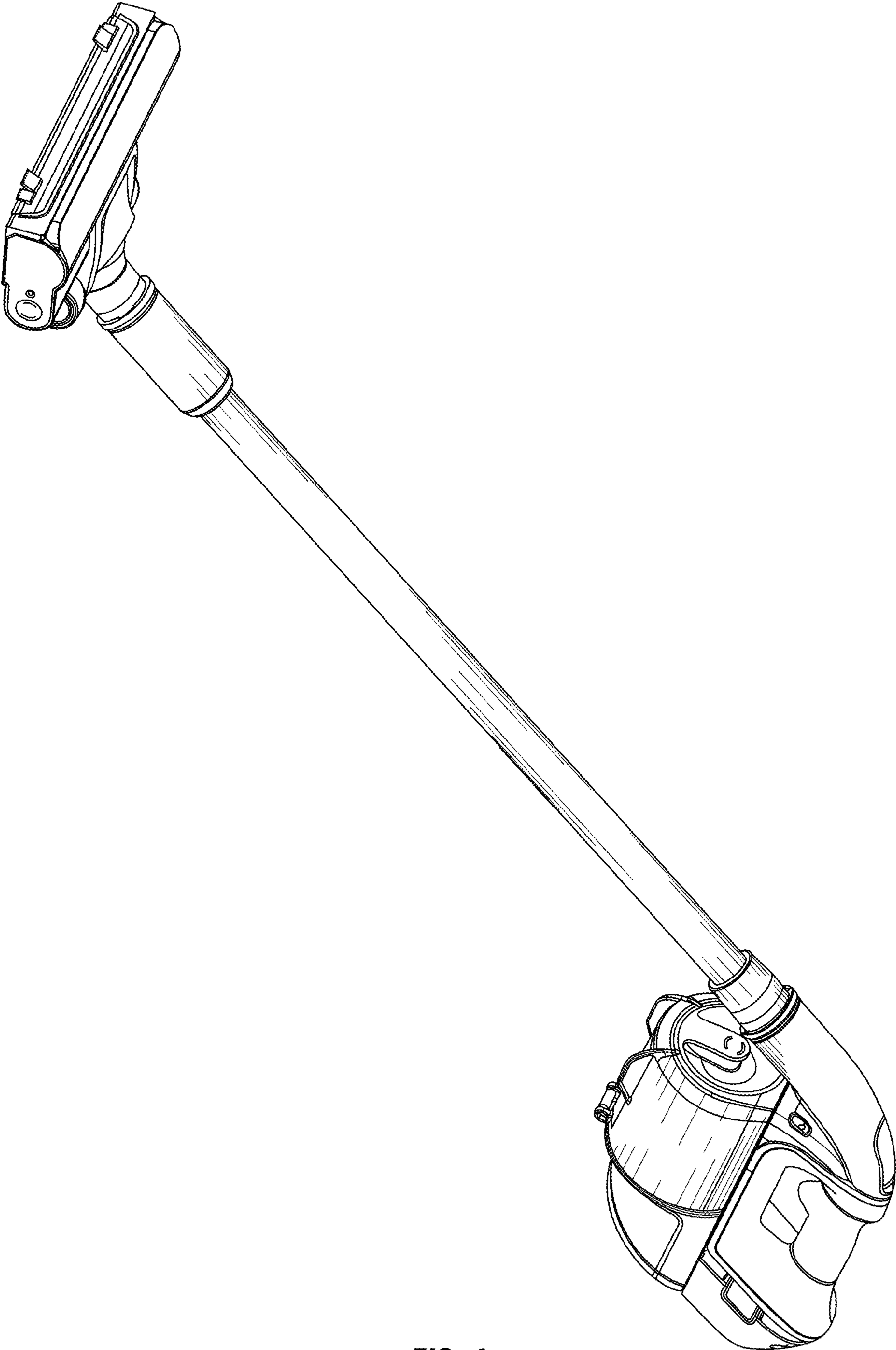


FIG. 4

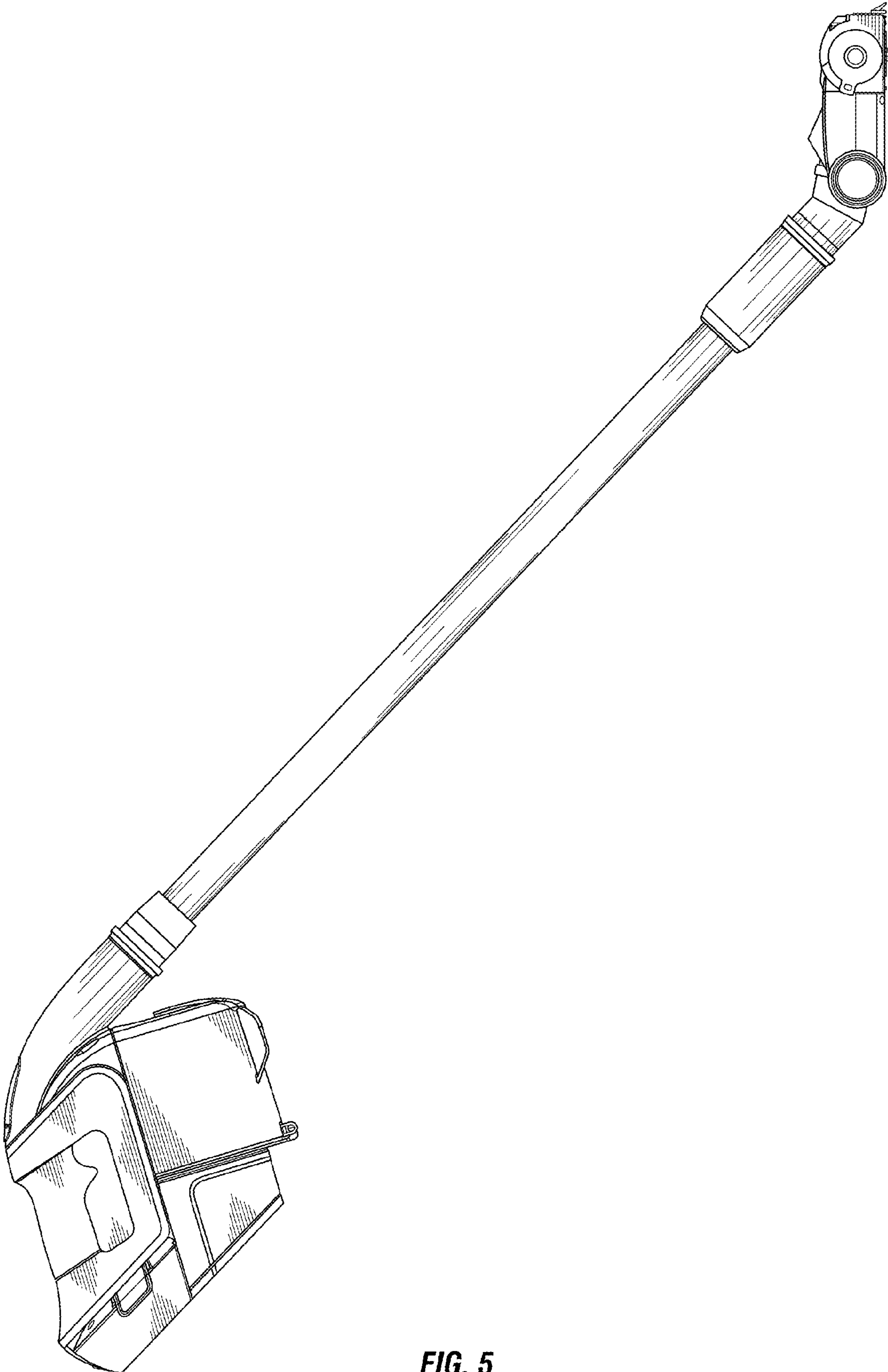


FIG. 5

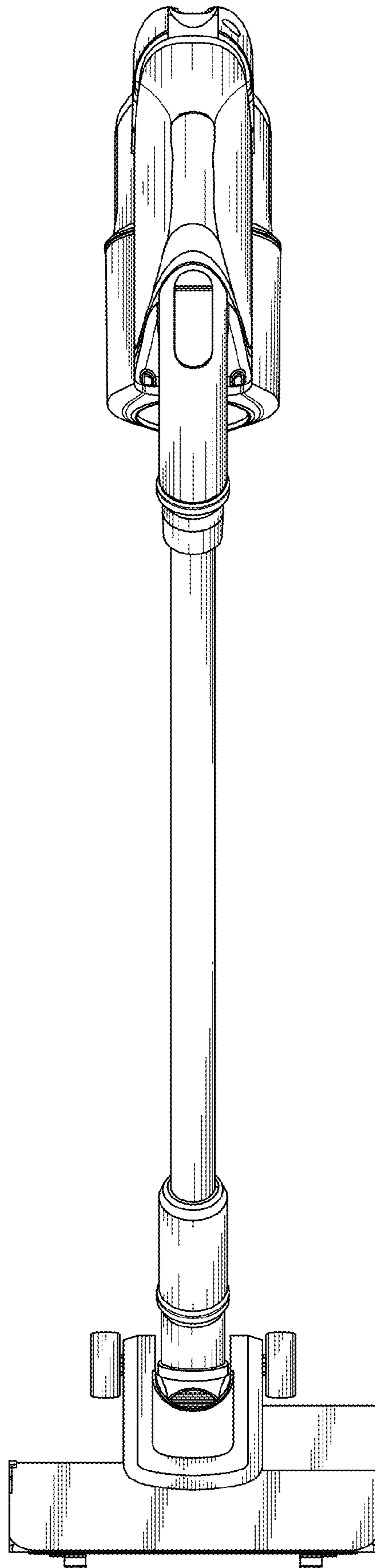


FIG. 6