



US00D902508S

(12) **United States Design Patent**
Ebrahimi Afrouzi

(10) **Patent No.:** **US D902,508 S**

(45) **Date of Patent:** **** Nov. 17, 2020**

(54) **ROBOTIC VACUUM**

(71) Applicant: **Ali Ebrahimi Afrouzi**, San Jose, CA
(US)

(72) Inventor: **Ali Ebrahimi Afrouzi**, San Jose, CA
(US)

(**) Term: **15 Years**

(21) Appl. No.: **29/663,244**

(22) Filed: **Sep. 13, 2018**

(51) **LOC (12) Cl.** **15-05**

(52) **U.S. Cl.**
USPC **D32/21**

(58) **Field of Classification Search**
USPC D32/21, 23-24, 31
CPC ... E04H 4/1654; E04H 4/1663; E04H 4/1672;
A47L 9/2842; A47L 9/2636; A47L
9/2852; G06N 3/008; G05D 1/0225
See application file for complete search history.

(56) **References Cited**

U.S. PATENT DOCUMENTS

D548,902 S * 8/2007 Chun D32/21
D556,961 S * 12/2007 Swyst D15/199
D665,547 S * 8/2012 Nam D32/21

D669,235 S * 10/2012 Bassett D32/21
D690,478 S * 9/2013 Li D32/21
D703,397 S * 4/2014 Sungkyung D32/21
D714,002 S * 9/2014 Casini D32/21
D714,003 S * 9/2014 Casini D32/21
D715,504 S * 10/2014 Deoksang D32/21
D771,884 S * 11/2016 Ninomiya D32/21
D835,869 S * 12/2018 Li D32/21
D840,617 S * 2/2019 Dou D32/21
D843,671 S * 3/2019 Chei D32/21

* cited by examiner

Primary Examiner — Michael A. Pratt

(57) **CLAIM**

The ornamental design for a robotic vacuum, as shown and described.

DESCRIPTION

FIG. 1 is a front elevation view of a robotic vacuum showing our new design;
FIG. 2 is a rear elevation view thereof;
FIG. 3 is a right side elevation view thereof, the left side being a mirror image;
FIG. 4 is a top plan view thereof;
FIG. 5 is an overhead front perspective view thereof; and,
FIG. 6 is an overhead rear perspective view thereof.
The broken lines in the drawings depict unclaimed subject matter and form no part of the claimed design.

1 Claim, 6 Drawing Sheets

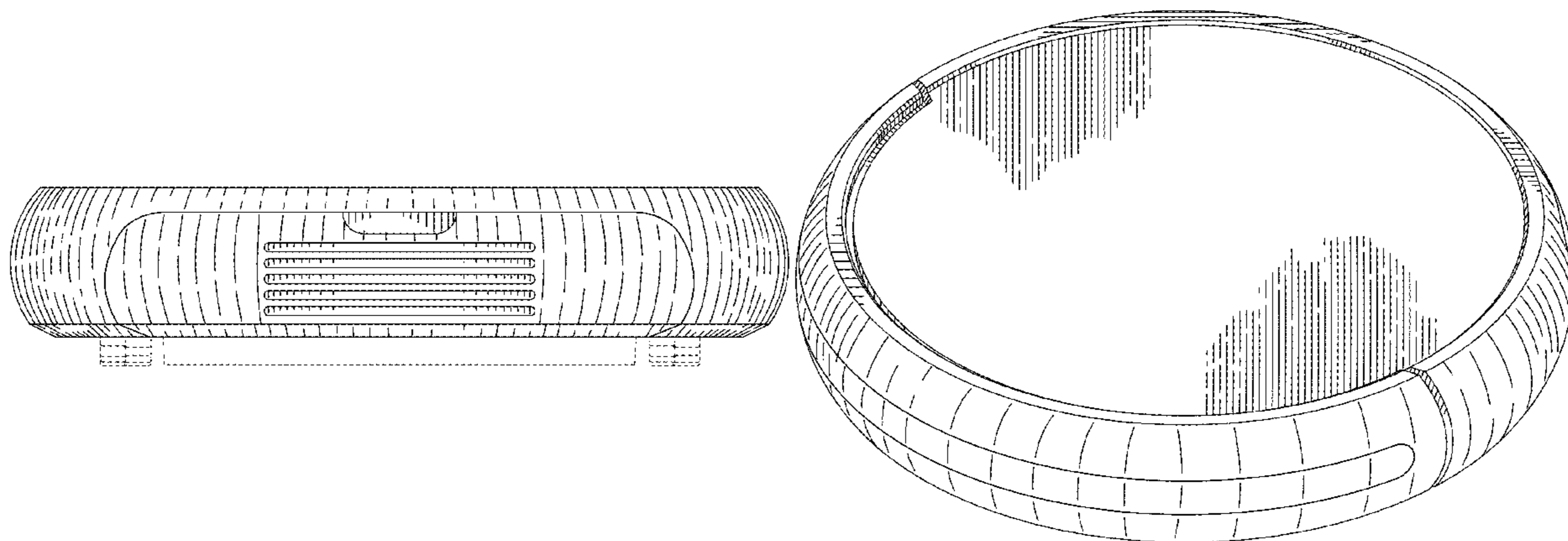


FIG. 1

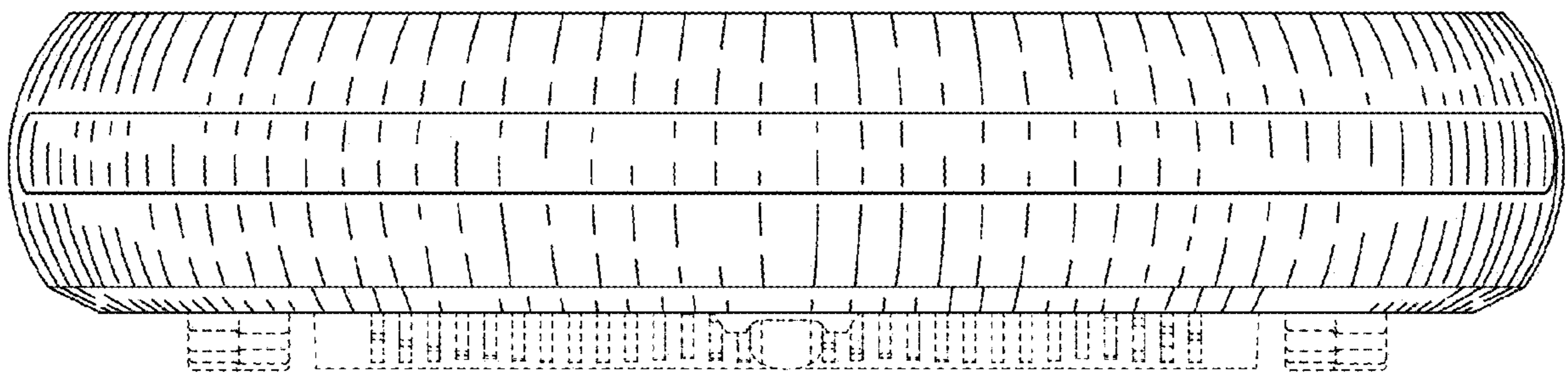


FIG. 2

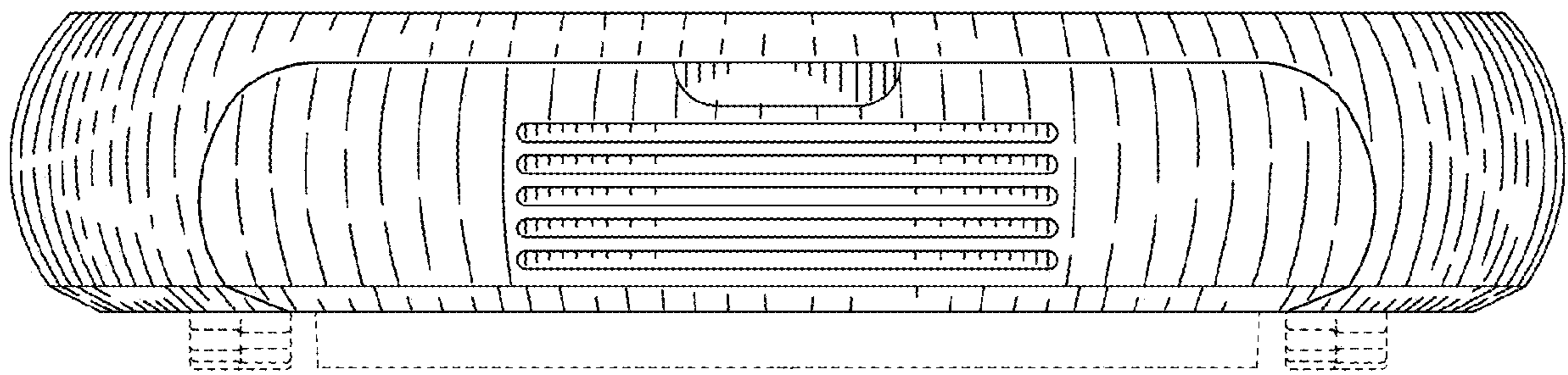


FIG. 3

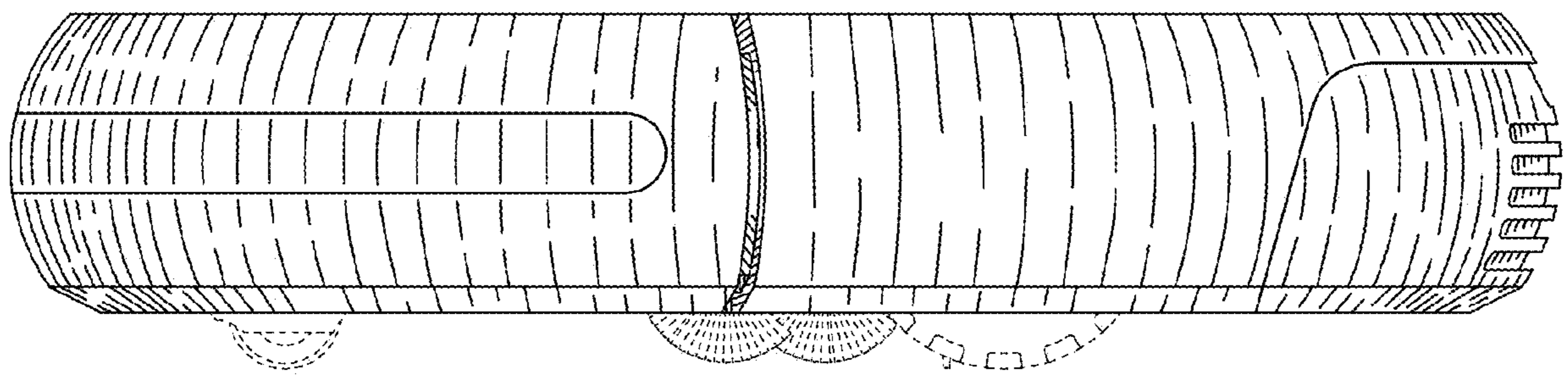


FIG. 4

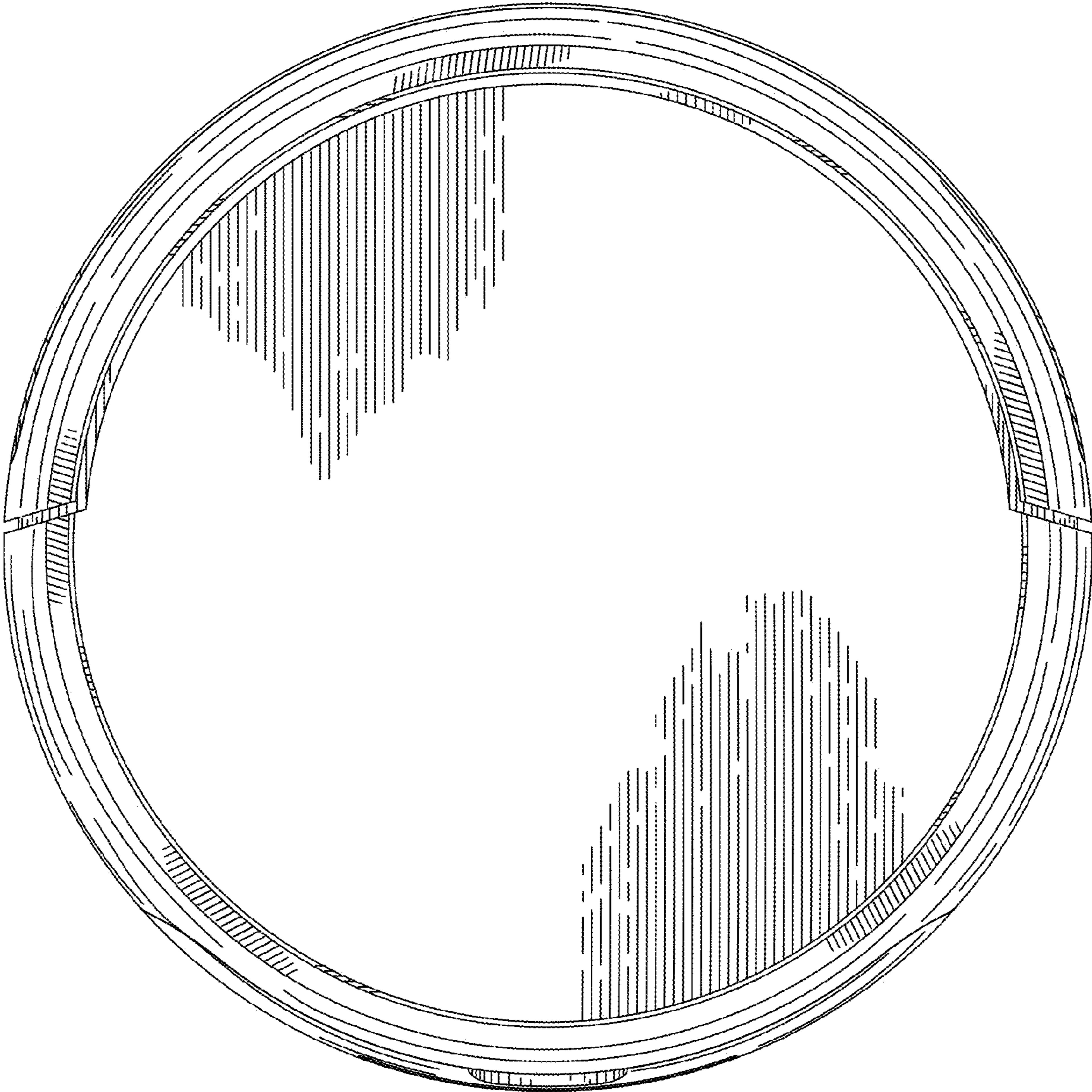


FIG. 5

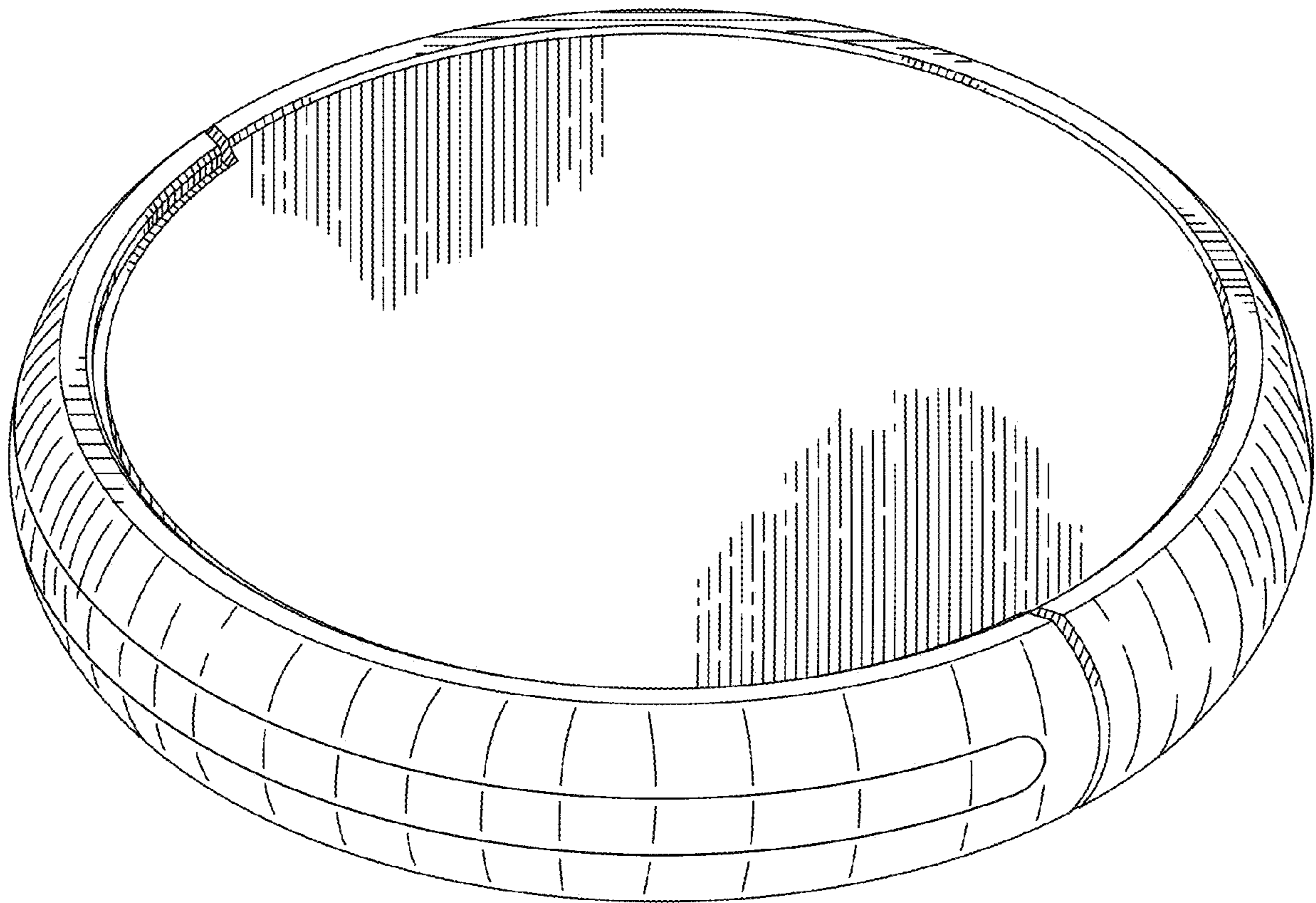


FIG. 6

