



US00D902505S

(12) **United States Design Patent** (10) **Patent No.:** **US D902,505 S**
Yeung (45) **Date of Patent:** **** Nov. 17, 2020**

(54) **PET TOY DISC**
(71) Applicant: **Lawrence Yeung**, Lewisville, TX (US)
(72) Inventor: **Lawrence Yeung**, Lewisville, TX (US)
(73) Assignee: **DEXAS INTERNATIONAL, LTD.**,
Coppell, TX (US)
(**) Term: **15 Years**
(21) Appl. No.: **29/705,560**
(22) Filed: **Sep. 12, 2019**
(51) **LOC (12) Cl.** **30-99**
(52) **U.S. Cl.**
USPC **D30/160**
(58) **Field of Classification Search**
USPC D30/121, 128, 133, 160; D21/362, 390,
D21/443, 707, 713, 715; 119/702;
446/46, 48; D8/17
CPC A01K 15/00; A01K 15/02; A01K 29/00;
A01K 15/024; A01K 15/025; A01K
15/027; A63B 37/02
See application file for complete search history.

D753,351 S * 4/2016 Anderson D30/160
D778,370 S * 2/2017 Moore D21/443
D834,981 S * 12/2018 Grois D11/2
D859,536 S * 9/2019 Cope D21/443
D866,880 S * 11/2019 Steinkraus D30/160
D875,024 S * 2/2020 Zheng D12/345
D891,008 S * 7/2020 Zeng D30/160
2004/0259460 A1 * 12/2004 Persall, Sr. A01K 15/02
446/20
2007/0026758 A1 * 2/2007 Renforth A01K 15/025
446/46
2007/0197318 A1 * 8/2007 Serrano A63B 65/10
473/588
2008/0064289 A1 * 3/2008 McAnulty A01K 15/025
446/46

* cited by examiner

Primary Examiner — Sandra Snapp
Assistant Examiner — Mehri Bajoul
(74) *Attorney, Agent, or Firm* — Daniel V. Thompson

(57) **CLAIM**

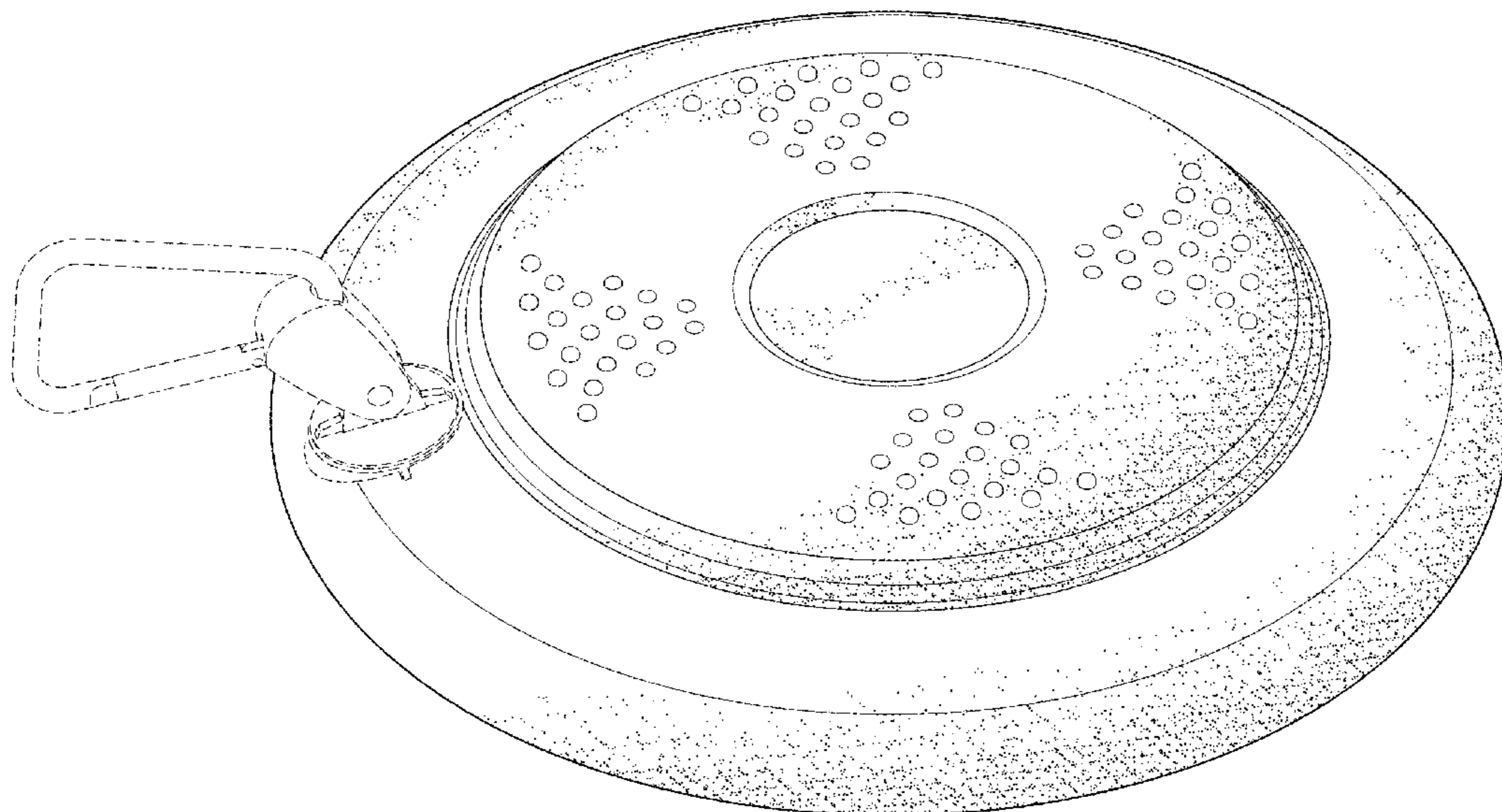
The ornamental design for a pet toy disc, as shown and described.

DESCRIPTION

FIG. 1 is a top-facing perspective view of the pet toy disc showing my new design;
FIG. 2 is a left-side elevational view thereof;
FIG. 3 is a right-side elevational view thereof;
FIG. 4 is a front elevational view thereof;
FIG. 5 is a rear elevational view thereof;
FIG. 6 is a top plan view thereof;
FIG. 7 is a bottom plan view thereof; and,
FIG. 8 is a bottom-facing perspective view thereof.
The broken lines showing of a carabiner and its base attached to the pet toy disc depict environmental structure and form no part of the claimed design. The remaining broken lines depict portions of the pet toy disc and form no part of the claimed design.

1 Claim, 6 Drawing Sheets

(56) **References Cited**
U.S. PATENT DOCUMENTS
5,277,641 A * 1/1994 Gable B05B 3/1021
239/211
D369,191 S * 4/1996 Dunipace D21/443
6,887,119 B2 * 5/2005 Bloeme A63H 33/18
446/46
D548,409 S * 8/2007 Renforth D21/444
D557,771 S * 12/2007 Darce D23/269
D562,918 S * 2/2008 Tuller D21/662
D564,877 S * 3/2008 Hood D9/454
D656,282 S * 3/2012 Dixon D30/160
D683,516 S * 6/2013 Elias D1/106
D725,714 S * 3/2015 Kim D21/443
D742,430 S * 11/2015 Moris D15/78
D743,551 S * 11/2015 Gronberg D24/155



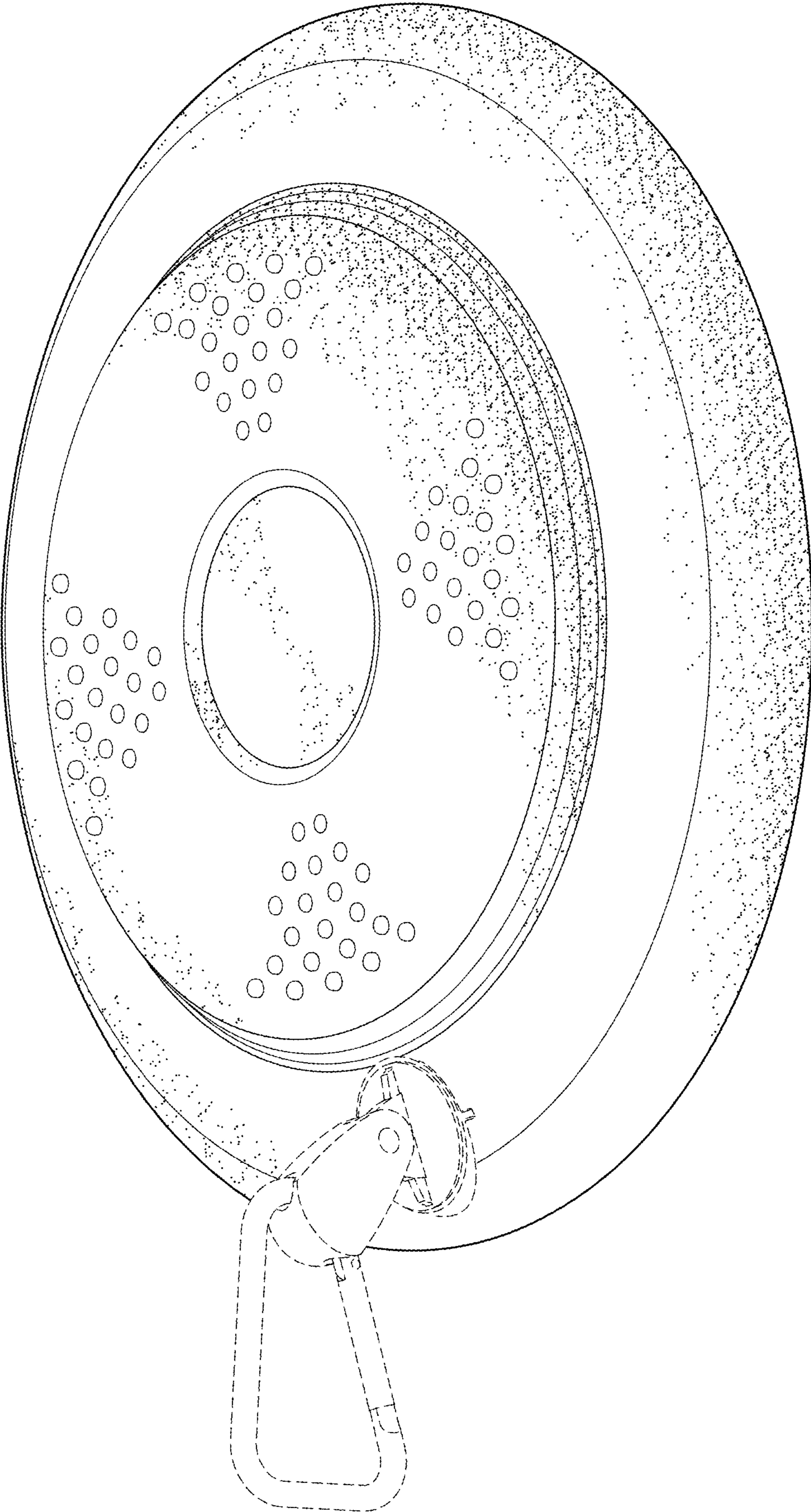


FIG. 1

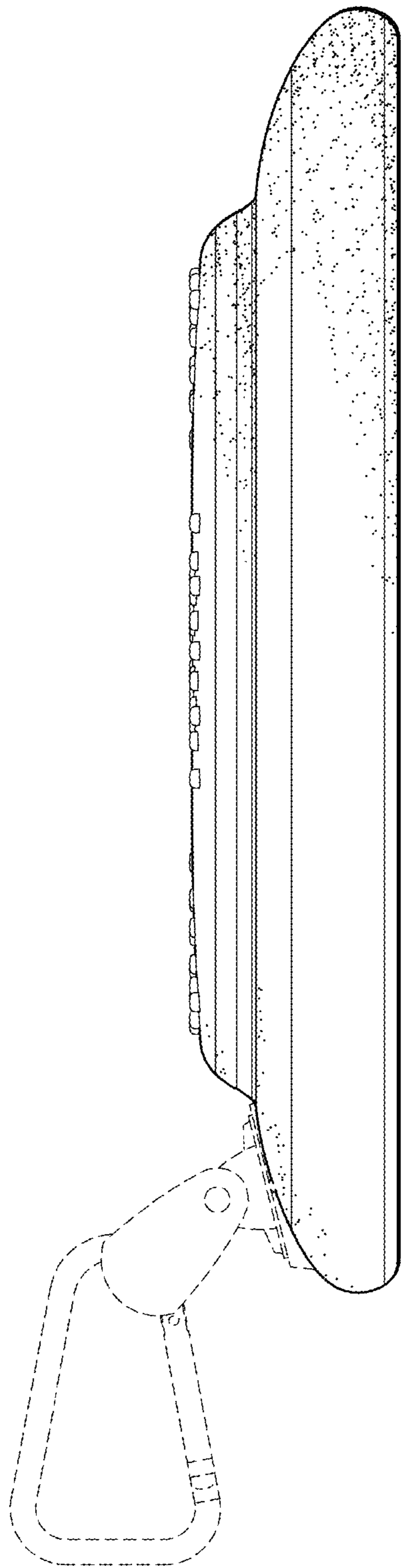


FIG. 2

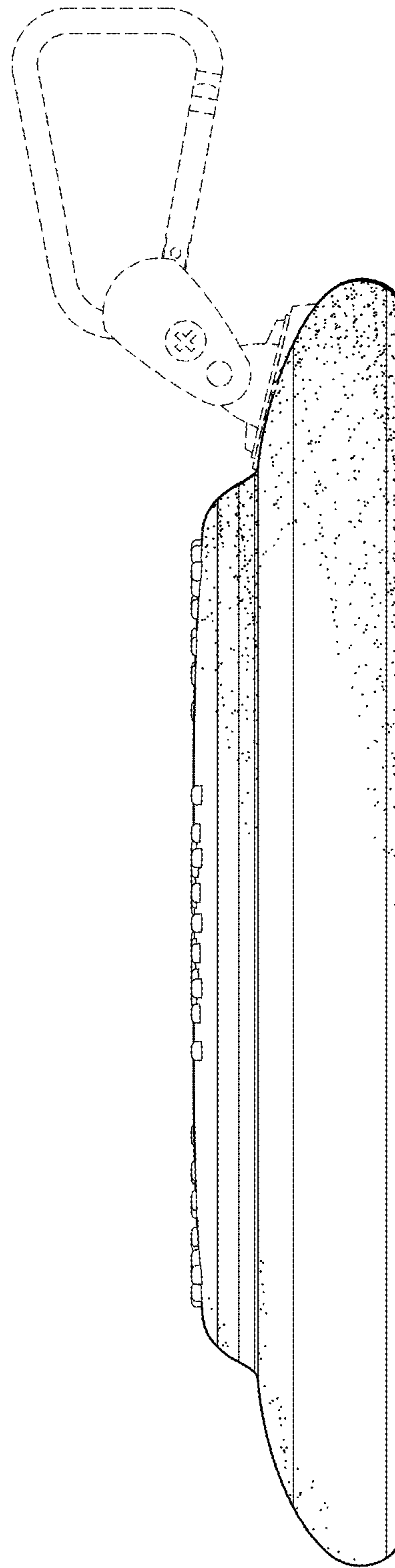


FIG. 3

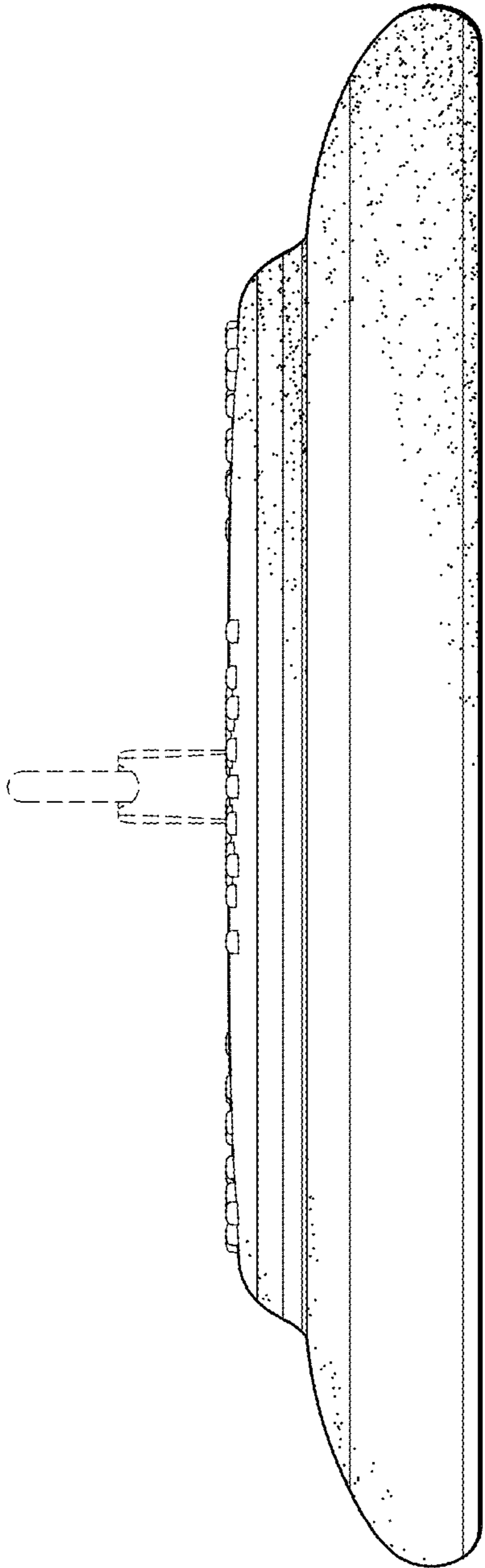


FIG. 4

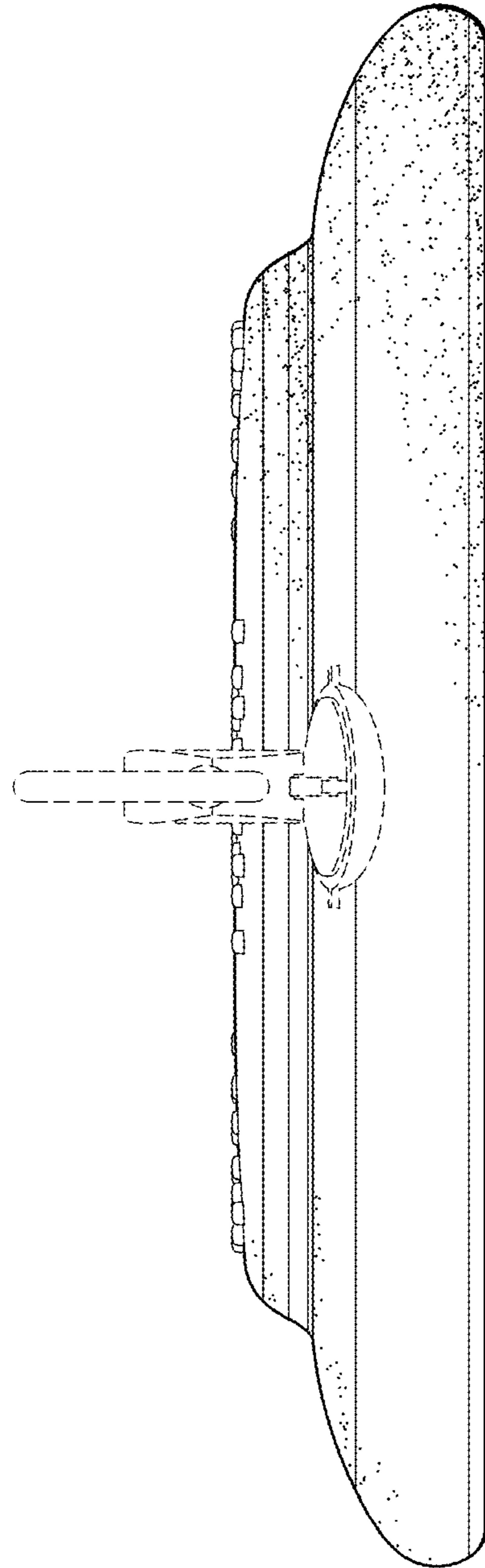


FIG. 5

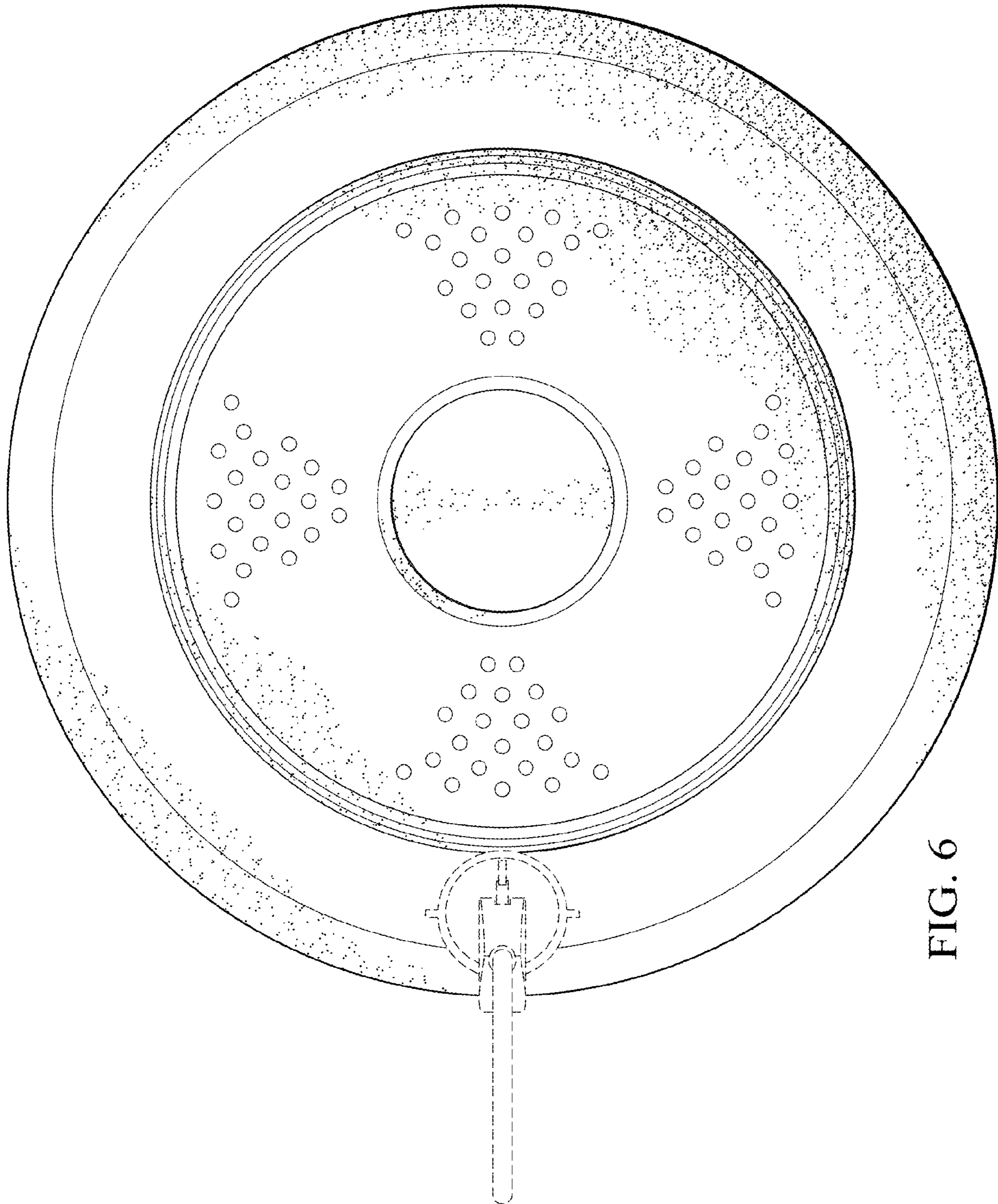


FIG. 6

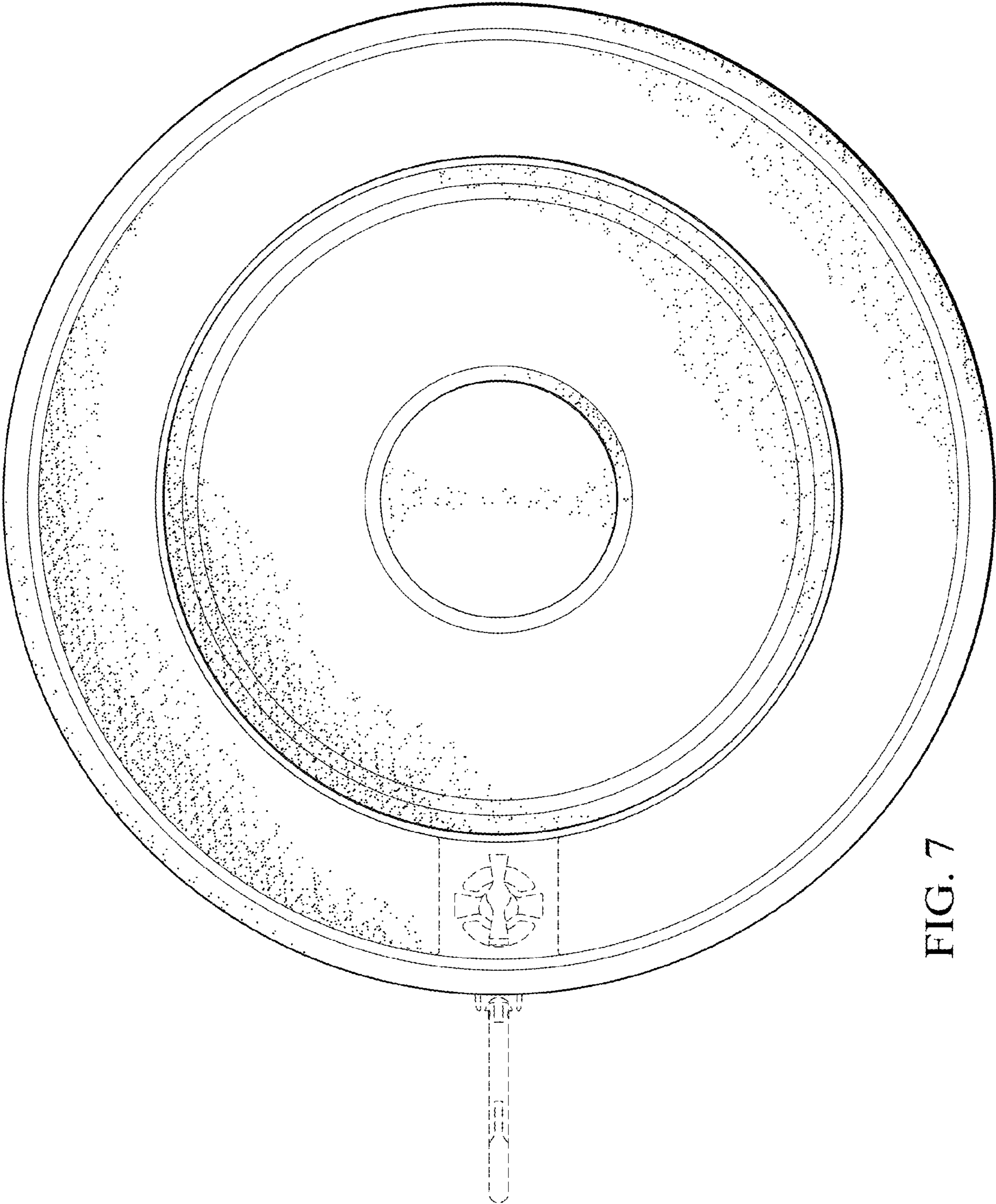


FIG. 7

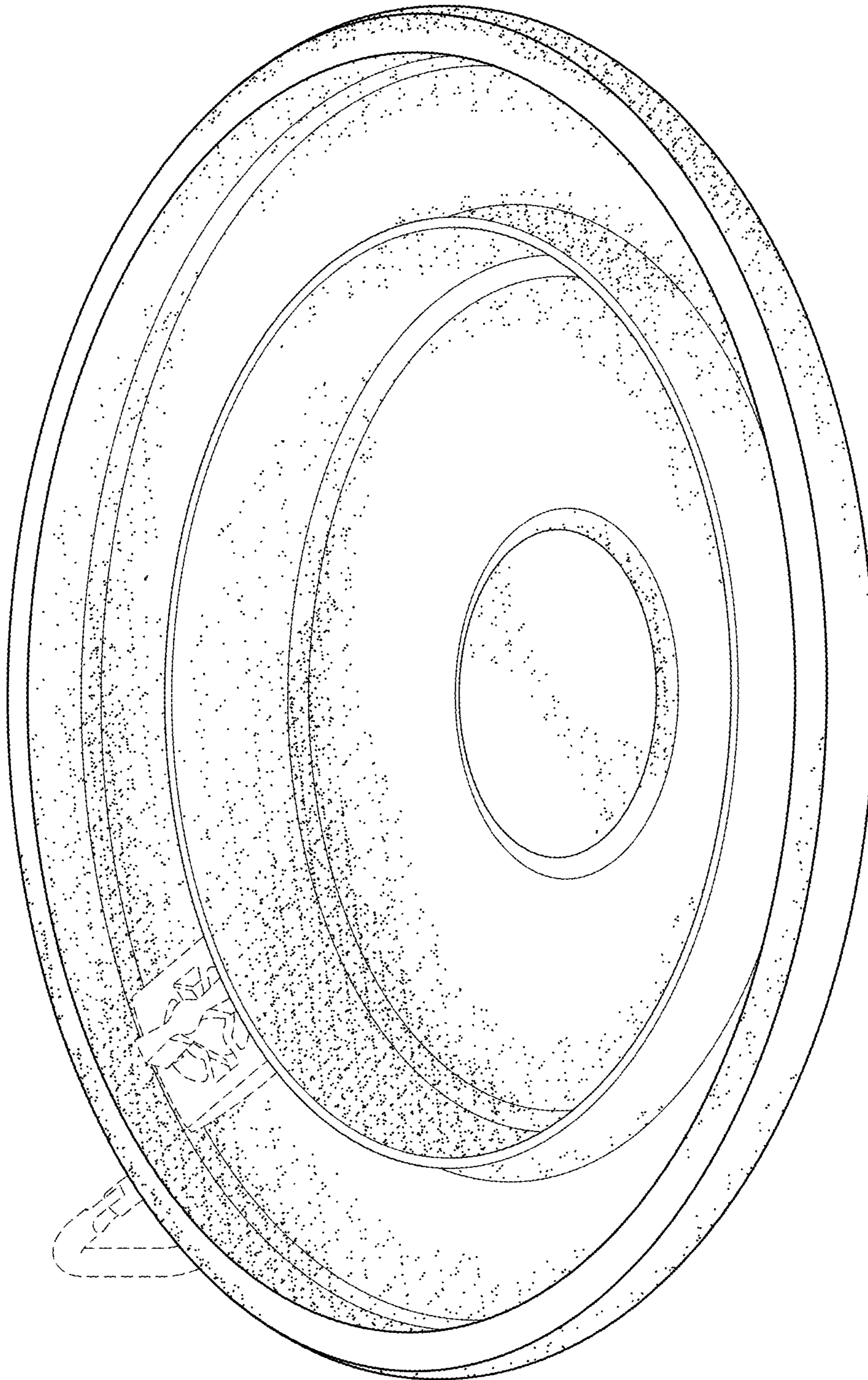


FIG. 8