



US00D902500S

(12) **United States Design Patent** (10) **Patent No.:** **US D902,500 S**
Glinsky (45) **Date of Patent:** **** Nov. 17, 2020**

(54) **FOOD DISH FOR A COMPANION ANIMAL**
(71) Applicant: **Jason Glinsky**, New Smyrna Beach, FL (US)
(72) Inventor: **Jason Glinsky**, New Smyrna Beach, FL (US)
(73) Assignee: **LUNALEX, INC.**, New Smyrna Beach, FL (US)
(**) Term: **15 Years**
(21) Appl. No.: **29/672,086**
(22) Filed: **Dec. 3, 2018**
(51) **LOC (12) Cl.** **30-03**
(52) **U.S. Cl.**
USPC **D30/129**
(58) **Field of Classification Search**
USPC D30/121, 122, 129-133, 199
CPC A01K 5/00
See application file for complete search history.

D706,494 S * 6/2014 Hansen D30/121
D706,495 S * 6/2014 Hansen D30/121
8,899,180 B2 12/2014 Lindskov et al.
D856,604 S * 8/2019 Peart D30/129
D857,307 S * 8/2019 Miyawaki D30/129
D874,071 S * 1/2020 Gevaert D30/129
2017/0112093 A1* 4/2017 Glinsky A01K 5/0291

OTHER PUBLICATIONS

“LunaLex, Inc.” available Nov. 2, 2018, [online], [site visited Mar. 9, 2020]. Retrieved from Internet, URL: https://www.facebook.com/LunaLex-Inc-976918045692117/?ref=page_internal (Year: 2018).*

* cited by examiner

Primary Examiner — Michael C Stout
Assistant Examiner — Katrina N Gonzalez
(74) *Attorney, Agent, or Firm* — Gearhart Law LLC

(57) **CLAIM**

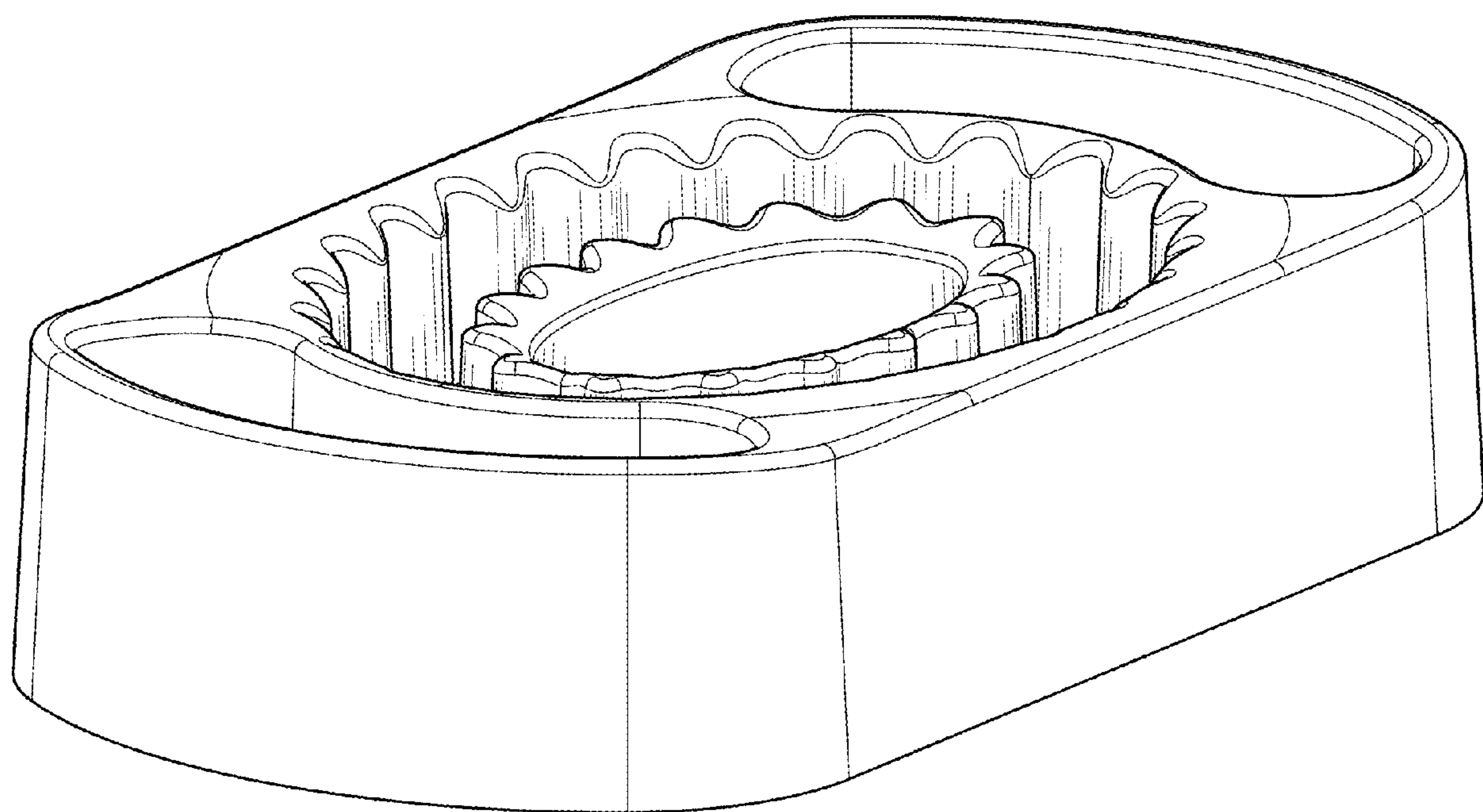
The ornamental design for a food dish for a companion animal, as shown and described.

DESCRIPTION

FIG. 1 is a perspective view of the food dish for a companion animal.
FIG. 2 is a top view thereof.
FIG. 3 is a bottom perspective view thereof.
FIG. 4 is a front view thereof, the back view is identical.
FIG. 5 is a side view thereof, the right side view is identical
FIG. 6 is a cross-sectional front view taken along and in direction of line 6-6 in FIG. 2; and,
FIG. 7 is a cross-section side view taken along an in direction of line 7-7 in FIG. 2.

(56) **References Cited**
U.S. PATENT DOCUMENTS
7,207,291 B1 4/2007 Watts
7,895,975 B2 3/2011 Markham
8,534,225 B2 9/2013 Vermeegen
D698,095 S * 1/2014 Paculdo D30/121
D698,096 S * 1/2014 Paculdo D30/121
D699,009 S * 2/2014 Hansen D30/121
D705,999 S * 5/2014 Hansen D30/121
D706,000 S 5/2014 Martinez et al.
D706,001 S 5/2014 Hansen
D706,493 S * 6/2014 Hansen D30/121

1 Claim, 5 Drawing Sheets



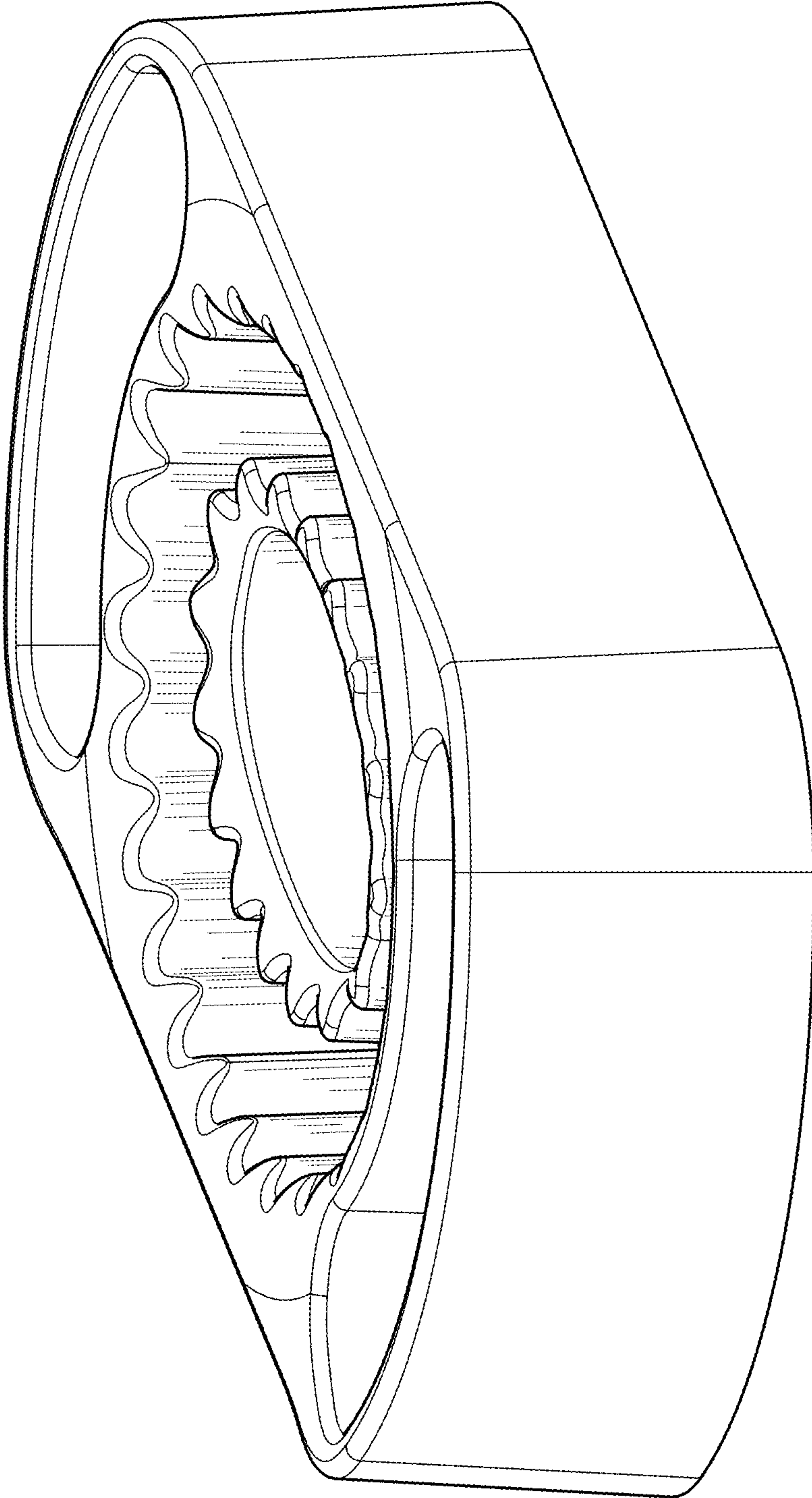


FIG. 1

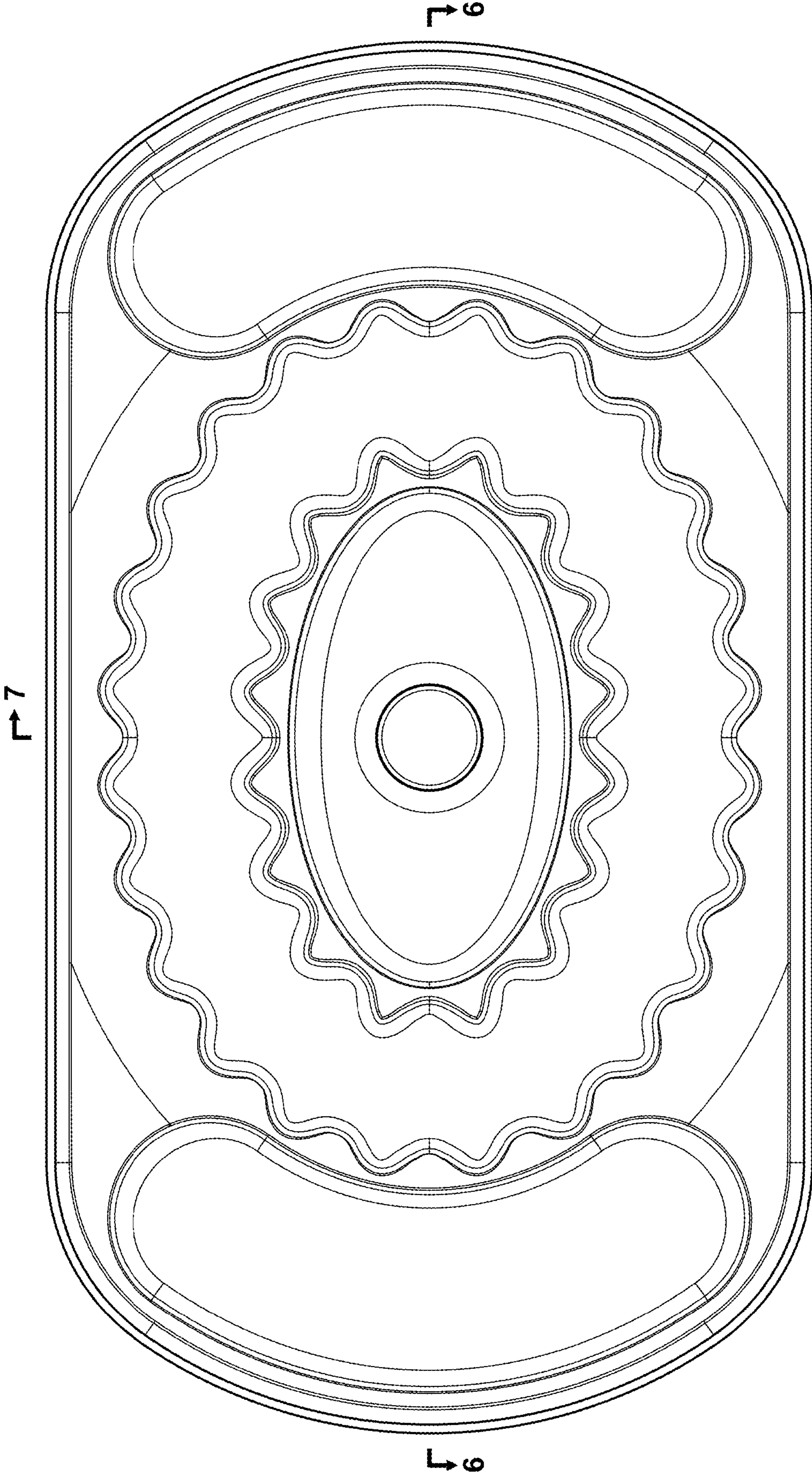


FIG. 2

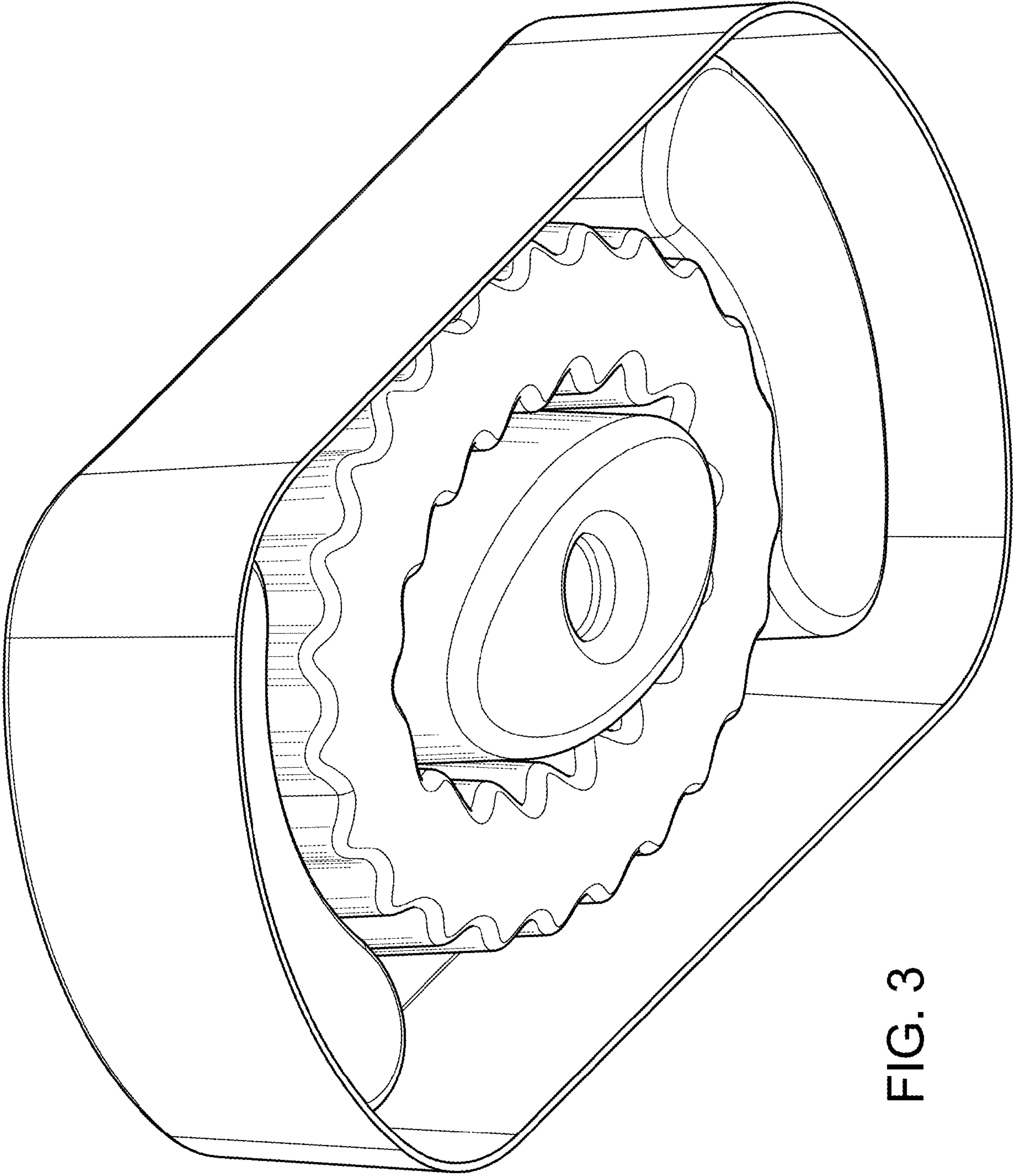


FIG. 3

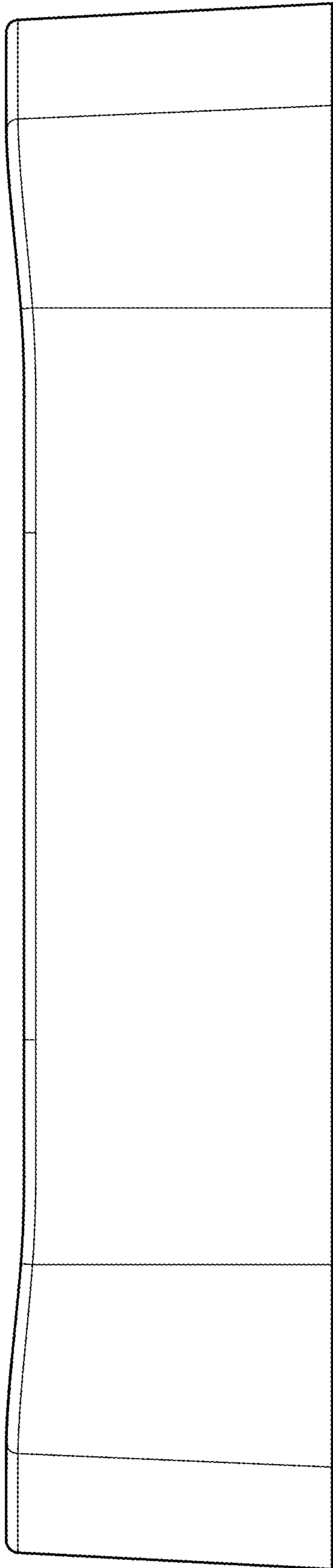


FIG. 4

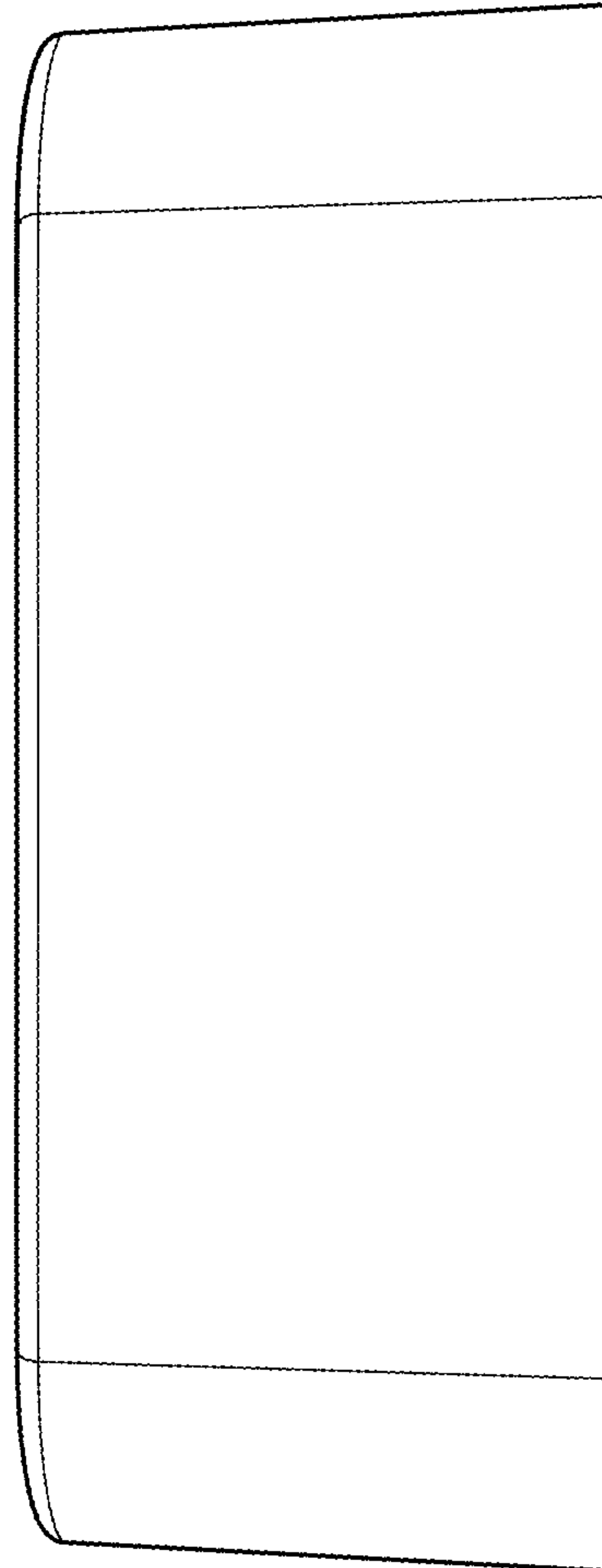


FIG. 5

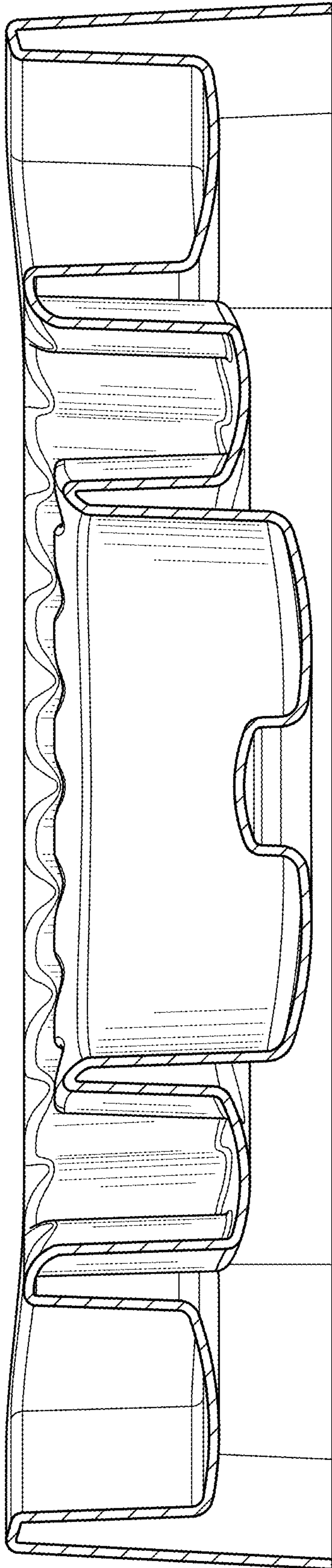


FIG. 6

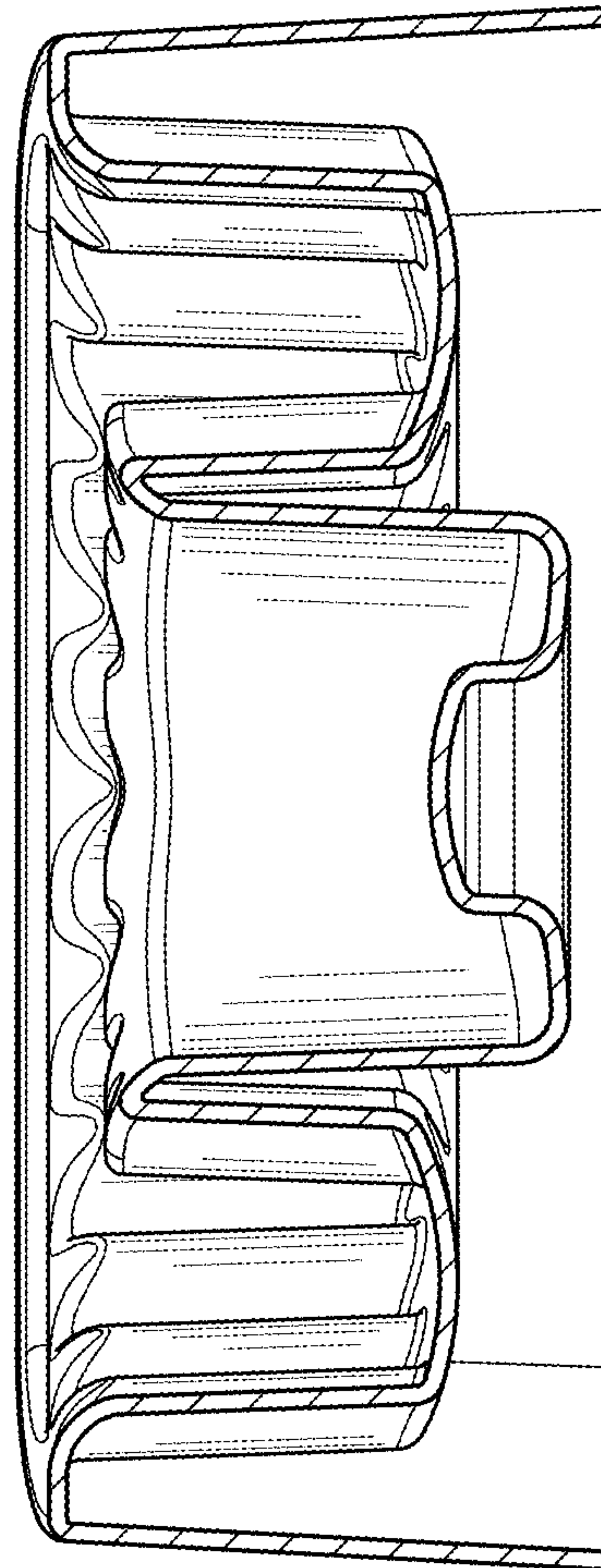


FIG. 7