



US00D902499S

(12) **United States Design Patent** (10) **Patent No.:** **US D902,499 S**
Barker (45) **Date of Patent:** **** Nov. 17, 2020**

(54) **ANIMAL REARING ENCLOSURE**
(71) Applicant: **Midland Pig Producers Limited,**
Burton-on-Trent (GB)
(72) Inventor: **Martin James Barker,** Burton upon
Trent (GB)

3,905,334 A * 9/1975 Stevenson A01K 1/0151
119/509
4,006,715 A * 2/1977 Redmon A01K 1/0218
119/506
4,034,716 A * 7/1977 Fleming A01K 29/00
119/847

(Continued)

(73) Assignee: **Midland Pig Producers Limited,**
Burton-on-Trent (GB)

FOREIGN PATENT DOCUMENTS

WO WO2011128679 A1 10/2011

(**) Term: **15 Years**

OTHER PUBLICATIONS

(21) Appl. No.: **29/607,073**

360° Freedom Farrower™ Safer All Around brochure, Midland
Pig Producers Ltd., Sep. 2014.

(22) Filed: **Jun. 9, 2017**

Related U.S. Application Data

(63) Continuation of application No. 29/545,216, filed on
Nov. 10, 2015, now Pat. No. Des. 791,412.

Primary Examiner — Sheryl Lane

Assistant Examiner — Aula Soroush

(74) *Attorney, Agent, or Firm* — Cook Alex Ltd.; Ryan
M. Truesdale

(30) **Foreign Application Priority Data**

May 11, 2015 (AR) 88428
Aug. 6, 2015 (CN) 2015 3 0293473

(57) **CLAIM**

(51) **LOC (12) Cl.** **30-02**

The ornamental design for an animal rearing enclosure, as
shown and described.

(52) **U.S. Cl.**
USPC **D30/114**

(58) **Field of Classification Search**
USPC D30/108–120, 158, 160; D21/520;
D6/601, 349, 595–597, 604, 382;
D8/333, 343, 354, 366, 373, 382, 383;
D25/48.1, 48.3, 152, 153, 154, 155, 156
CPC A01K 1/00; A01K 1/0272; A01K 1/0353;
A01K 1/035; A01K 1/0017; A01K
1/0245; A01K 1/0035; A01K 1/0151;
A47C 21/02

DESCRIPTION

FIG. 1 is a top, front and right side perspective view of an
animal rearing enclosure showing the new design;
FIG. 2 is a top, front and left side perspective view thereof;
FIG. 3 is a front elevation view thereof;
FIG. 4 is a back elevation view thereof;
FIG. 5 is a right side elevation view thereof;
FIG. 6 is a left side elevation view thereof; and,
FIG. 7 is a top plan view thereof.

The elements illustrated by the broken lines are barriers that
confine access to the interior of the animal rearing and form
no part of the claimed design.

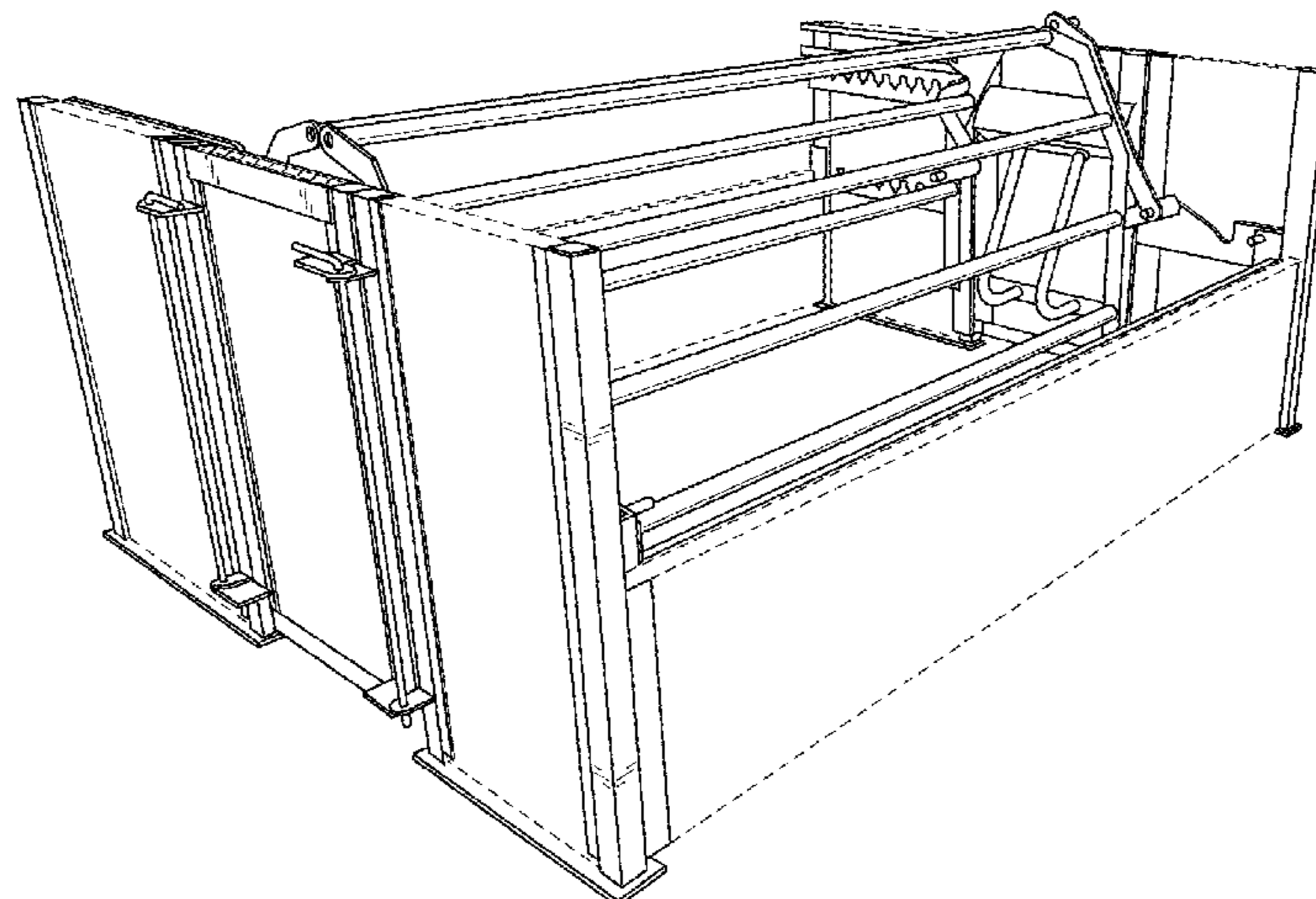
See application file for complete search history.

(56) **References Cited**

U.S. PATENT DOCUMENTS

3,237,600 A * 3/1966 Behrens A01K 1/0218
119/506
3,307,519 A * 3/1967 Rink A01K 1/0218
119/507

1 Claim, 4 Drawing Sheets



(56)

References Cited

U.S. PATENT DOCUMENTS

D249,713 S * 9/1978 Gilbertson D30/113
4,121,538 A * 10/1978 Van Gilst A01K 1/0218
119/507
4,177,762 A * 12/1979 Borcharding A01K 1/0218
119/507
D256,284 S * 8/1980 Dill D30/113
4,217,859 A * 8/1980 Herring A01K 1/0158
119/508
D258,093 S * 1/1981 Pinkelman D30/113
4,287,855 A * 9/1981 Gibson A01K 1/0218
119/503
4,502,414 A * 3/1985 Paulsen A01K 1/0218
119/507
D351,260 S * 10/1994 Taylor D30/119
5,622,138 A * 4/1997 Underhill A01K 1/0218
119/503
6,116,190 A * 9/2000 Kitt A01K 31/19
119/503
6,382,135 B1 * 5/2002 Van Grootheest ... A01K 1/0218
119/445
D654,229 S * 2/2012 Moreno D30/108
D791,412 S * 7/2017 Barker D30/113

* cited by examiner

Fig. 1

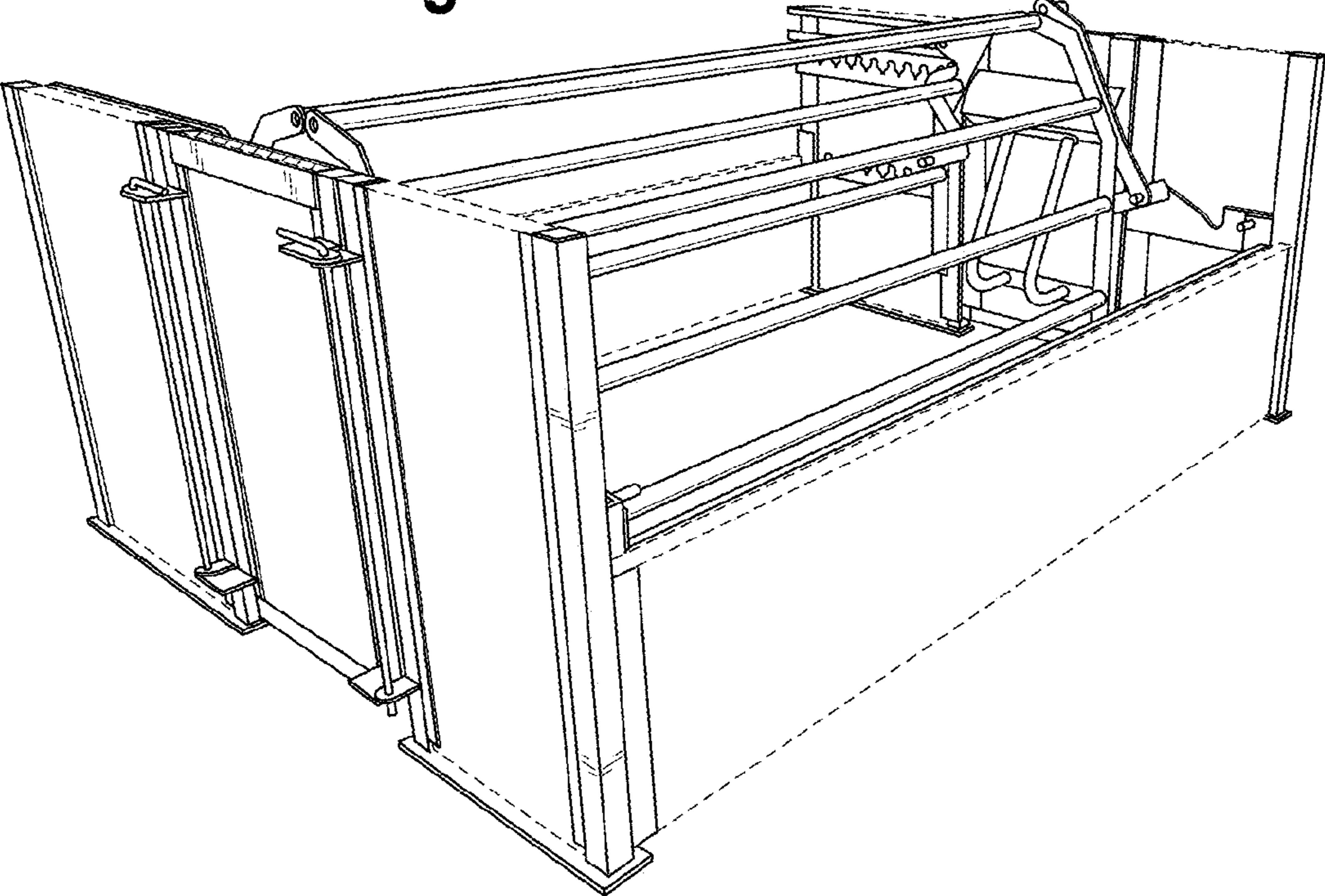


Fig. 2

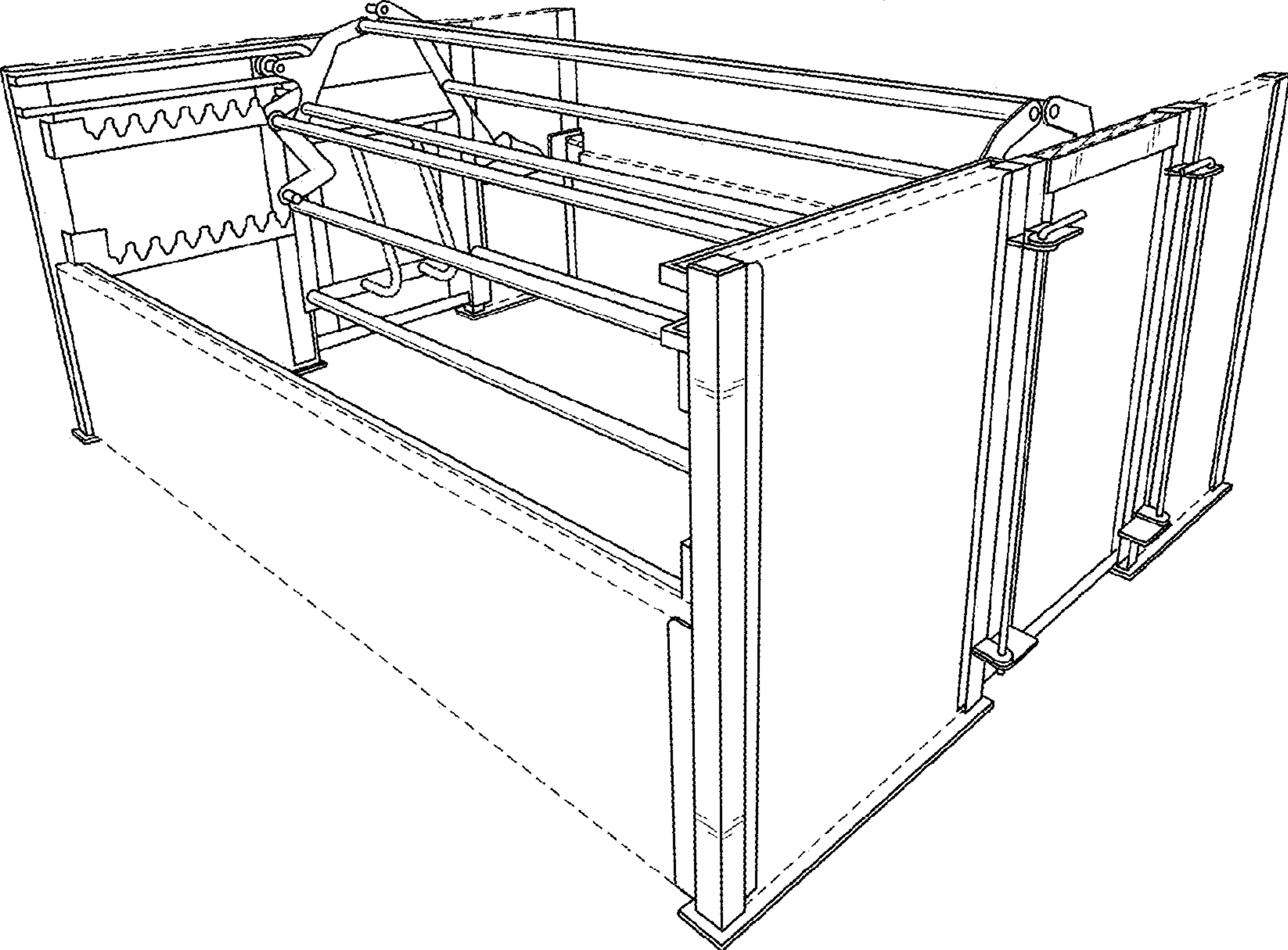


Fig. 3

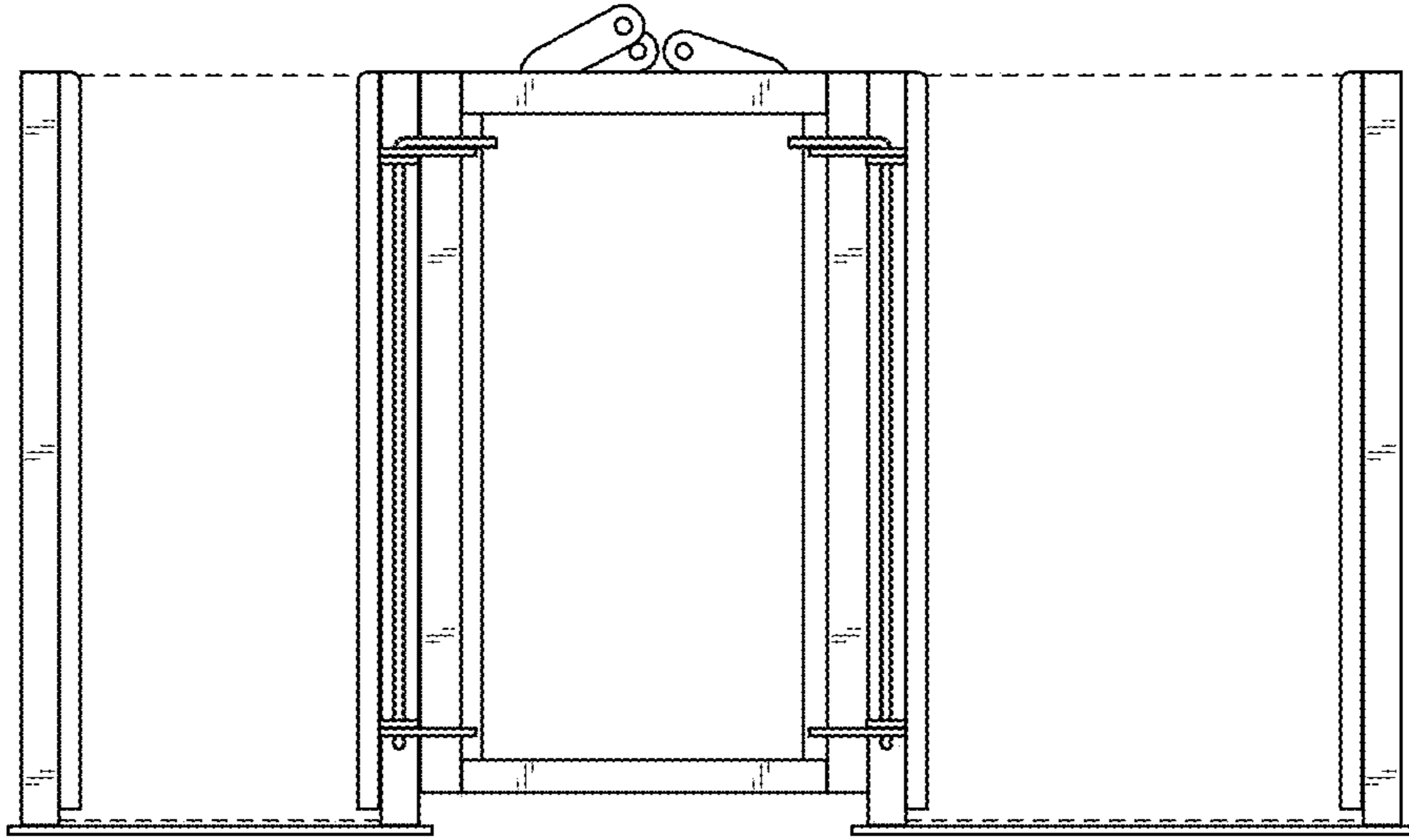


Fig. 4

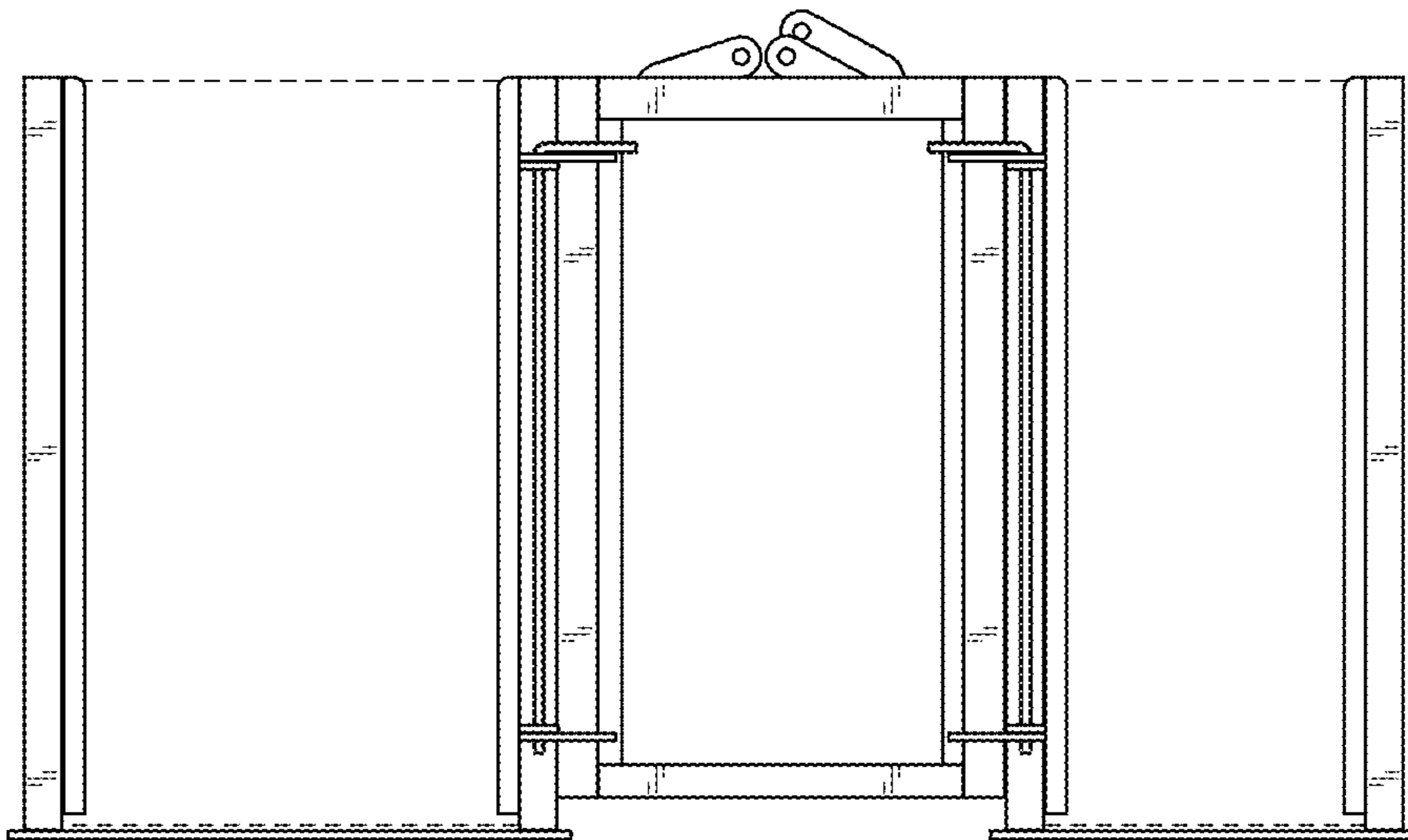


Fig. 5

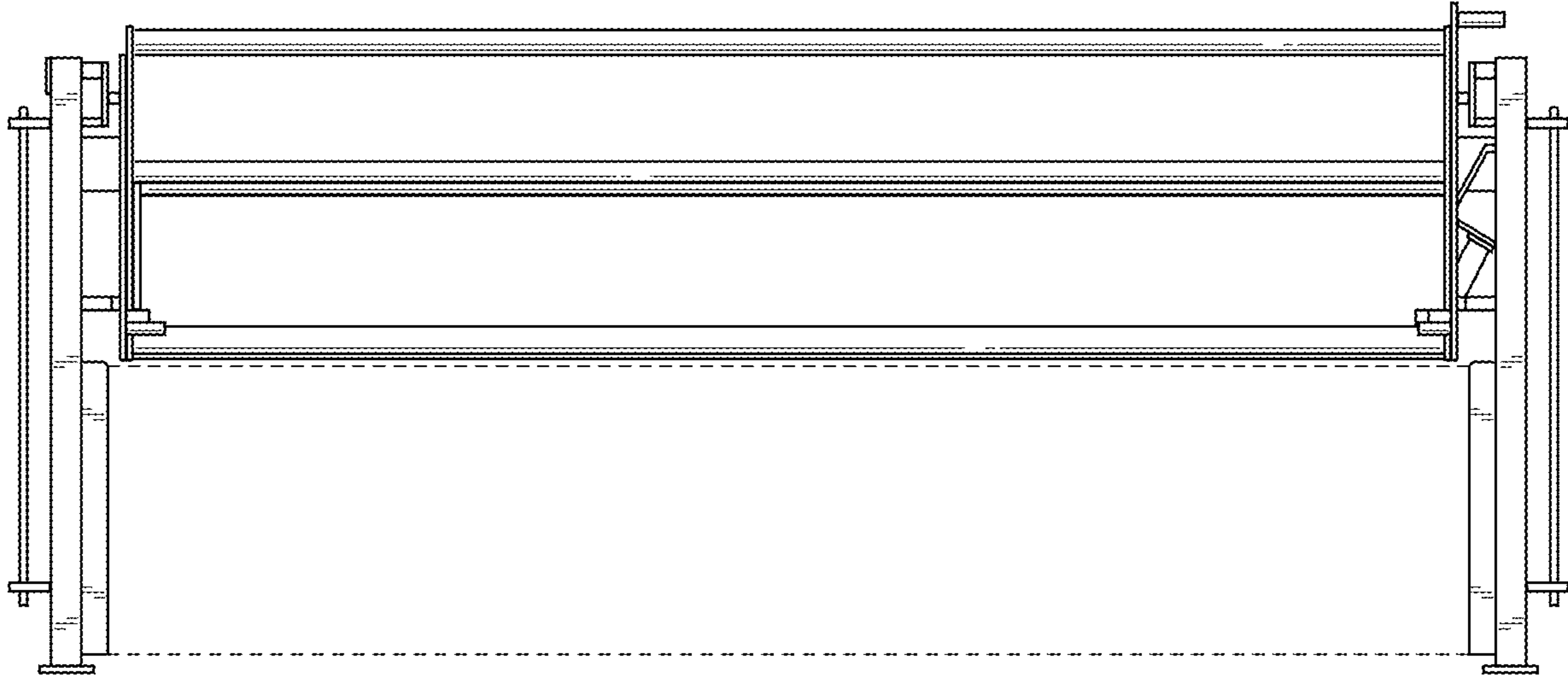


Fig. 6

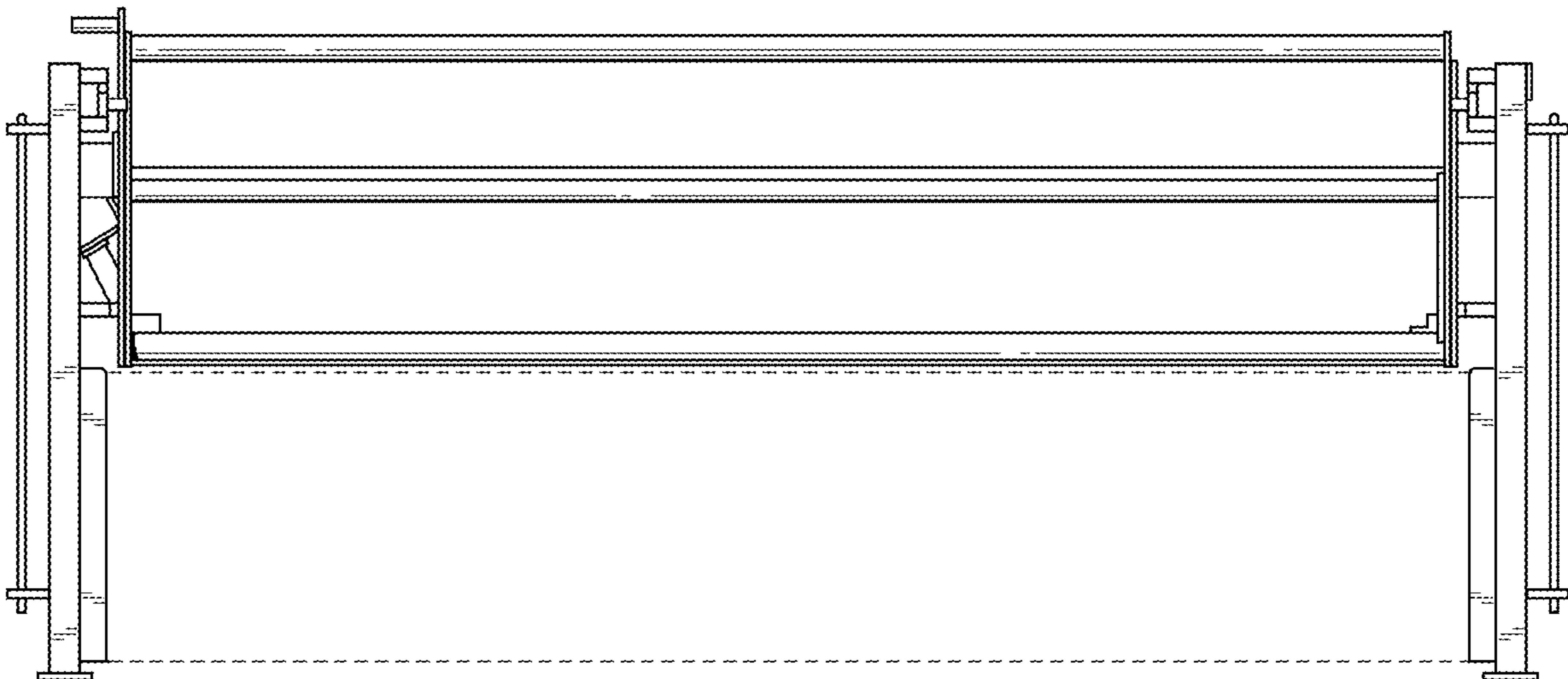


Fig. 7

