



US00D902496S

(12) **United States Design Patent** (10) **Patent No.:** **US D902,496 S**  
**Bui** (45) **Date of Patent:** **\*\* Nov. 17, 2020**

(54) <b>EAR PROTECTORS</b>	3,051,961 A * 9/1962 Clark ..... A61F 11/14 2/209
(71) Applicant: <b>3M INNOVATIVE PROPERTIES COMPANY</b> , St. Paul, MN (US)	3,085,253 A * 4/1963 Ulrich ..... A61F 11/14 2/209
(72) Inventor: <b>Van Cuong Bui</b> , Jönköping (SE)	D298,670 S * 11/1988 Palmaer ..... D14/205
(73) Assignee: <b>3M Innovative Properties Company</b> , St. Paul, MN (US)	D313,092 S * 12/1990 Nilsson ..... D14/205
(**) Term: <b>15 Years</b>	D375,584 S * 11/1996 Westerdal ..... D29/112
(21) Appl. No.: <b>29/677,747</b>	D385,665 S * 10/1997 Westerdal ..... D29/112
(22) Filed: <b>Jan. 23, 2019</b>	D390,564 S * 2/1998 Savona ..... D14/205
	D403,126 S * 12/1998 Scanlon ..... D29/112
	D403,128 S * 12/1998 Scanlon ..... D29/122
	D411,200 S * 6/1999 Almqvist ..... D14/192
	D413,413 S * 8/1999 Dillon ..... D14/205
	D427,382 S * 6/2000 Leight ..... D29/112
	D434,191 S * 11/2000 Emilsson ..... D29/112
	D459,033 S * 6/2002 Dix ..... D29/112
	D459,034 S * 6/2002 Dix ..... D29/112

(Continued)

(30) **Foreign Application Priority Data**

Jul. 26, 2018 (EM) ..... 005514726

(51) **LOC (12) Cl.** ..... **29-02**

(52) **U.S. Cl.**  
USPC ..... **D29/112; D14/205**

(58) **Field of Classification Search**  
USPC ..... D29/100, 102, 105, 106, 108, 112, 122;  
D14/205, 206, 223  
CPC ..... A42B 3/16; A42B 3/163; A42B 3/166;  
A61F 11/06; A61F 11/08; A61F 11/10;  
A61F 11/12; A61F 11/14; A61F  
2011/085; H04R 1/10; H04R 1/1008;  
H04R 1/1016; H04R 1/105; H04R  
1/1058; H04R 1/1066; H04R 1/1075;  
H04R 1/1083; H04R 5/0335; H04R  
25/652; H04R 25/654; H04R 25/656;  
A63B 71/10

See application file for complete search history.

*Primary Examiner* — Elizabeth J Oswecki  
(74) *Attorney, Agent, or Firm* — Katherine M. Scholz;  
Dena M. Ehrich

(57) **CLAIM**

The ornamental design for ear protectors, as shown and described.

**DESCRIPTION**

FIG. 1 is a perspective view of ear protectors showing my new design;  
FIG. 2 is a front view thereof;  
FIG. 3 is a top view thereof;  
FIG. 4 is a rear view thereof;  
FIG. 5 is a bottom view thereof;  
FIG. 6 is a right side view thereof; and,  
FIG. 7 is a left side view thereof.

The even dashed broken lines shown in the drawings represent portions of the ear protectors that form no part of the claimed design. The dash-dot lines represent the boundary line of the claimed design.

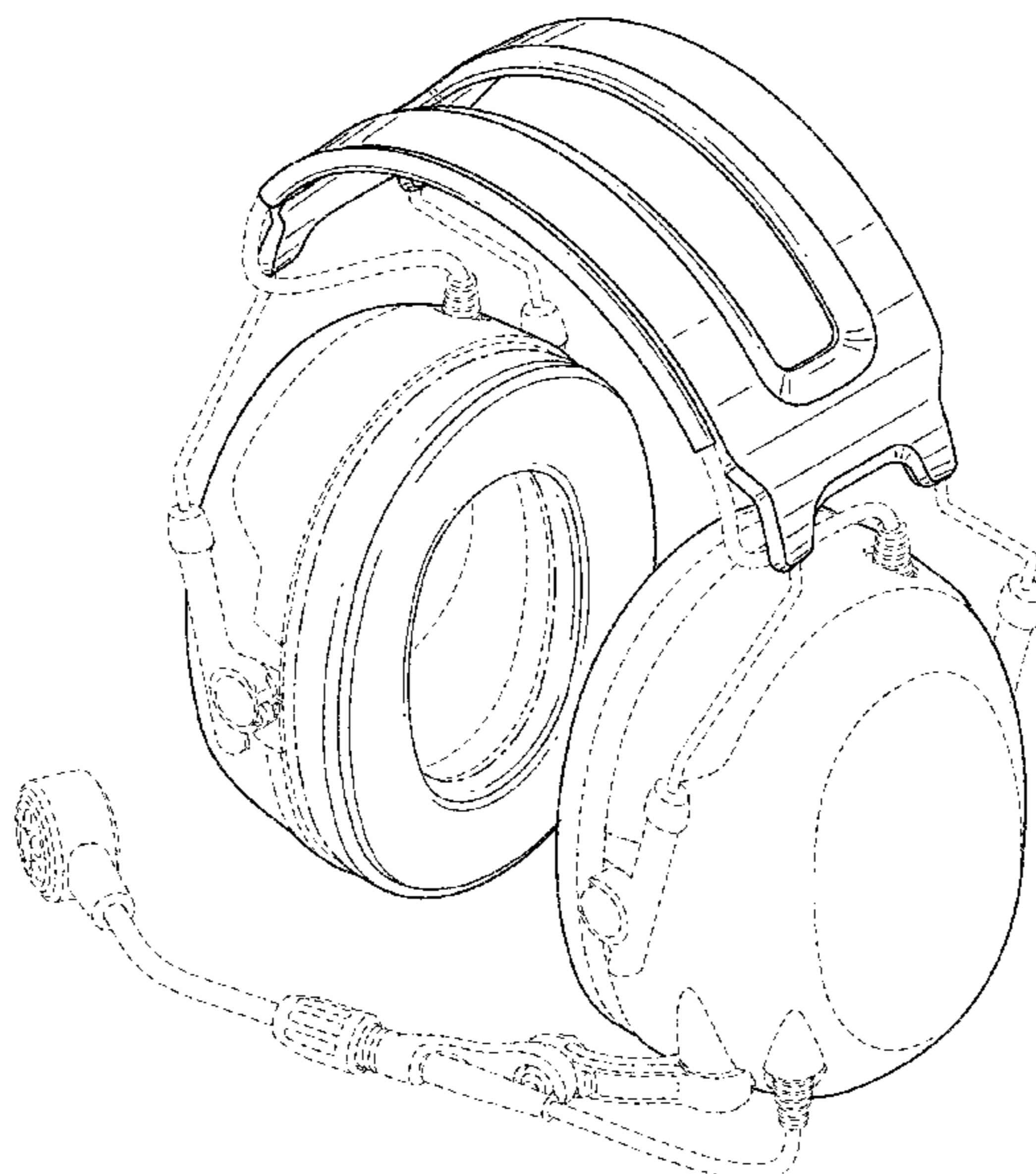
(56) **References Cited**

U.S. PATENT DOCUMENTS

2,883,671 A \* 4/1959 Hornickel ..... A61F 11/14  
2/209

2,981,958 A \* 5/1961 Wadsworth ..... A61F 11/14  
2/209

**1 Claim, 4 Drawing Sheets**



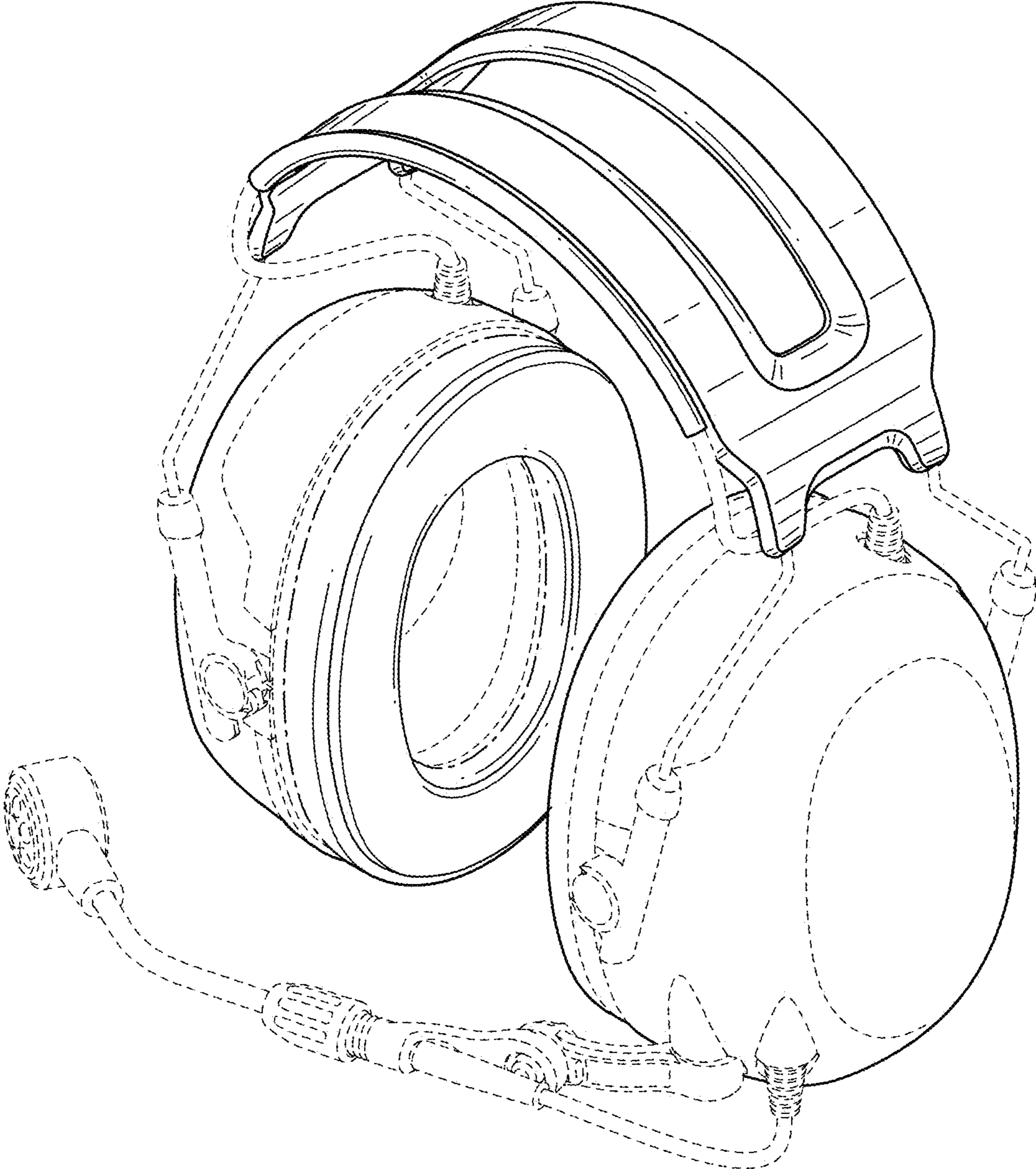
(56)

**References Cited**

## U.S. PATENT DOCUMENTS

D465,616	S	*	11/2002	Nilsson	.....	A61F 11/14	
						D29/112	
D541,483	S	*	4/2007	Birgersson	.....	D29/112	
D651,764	S	*	1/2012	Gresko	.....	A61F 11/14	
						D29/112	
D663,900	S	*	7/2012	Karlsson	.....	A61F 11/14	
						D29/112	
D735,419	S	*	7/2015	Rose	.....	D29/112	
D736,475	S	*	8/2015	Fletcher	.....	D29/112	
D744,171	S	*	11/2015	Rose	.....	D29/112	
D747,557	S	*	1/2016	Bonney	.....	D29/112	
D752,816	S	*	3/2016	Fletcher	.....	D29/112	
D753,884	S	*	4/2016	Bonney	.....	D29/112	
D764,717	S	*	8/2016	Fletcher	.....	D29/112	
D766,520	S	*	9/2016	Fletcher	.....	D29/112	
D789,615	S	*	6/2017	Pratley	.....	D29/112	
D805,697	S	*	12/2017	Pratley	.....	D29/112	
D807,584	S	*	1/2018	Fletcher	.....	D29/112	
D821,653	S	*	6/2018	Pratley	.....	D29/112	
D834,260	S	*	11/2018	Garcia Mansilla	.....	D29/112	
D848,396	S	*	5/2019	Wilson	.....	D14/205	
D848,679	S	*	5/2019	Wilson	.....	D29/112	
D851,839	S	*	6/2019	Scanlon	.....	D29/112	

\* cited by examiner



*FIG. 1*



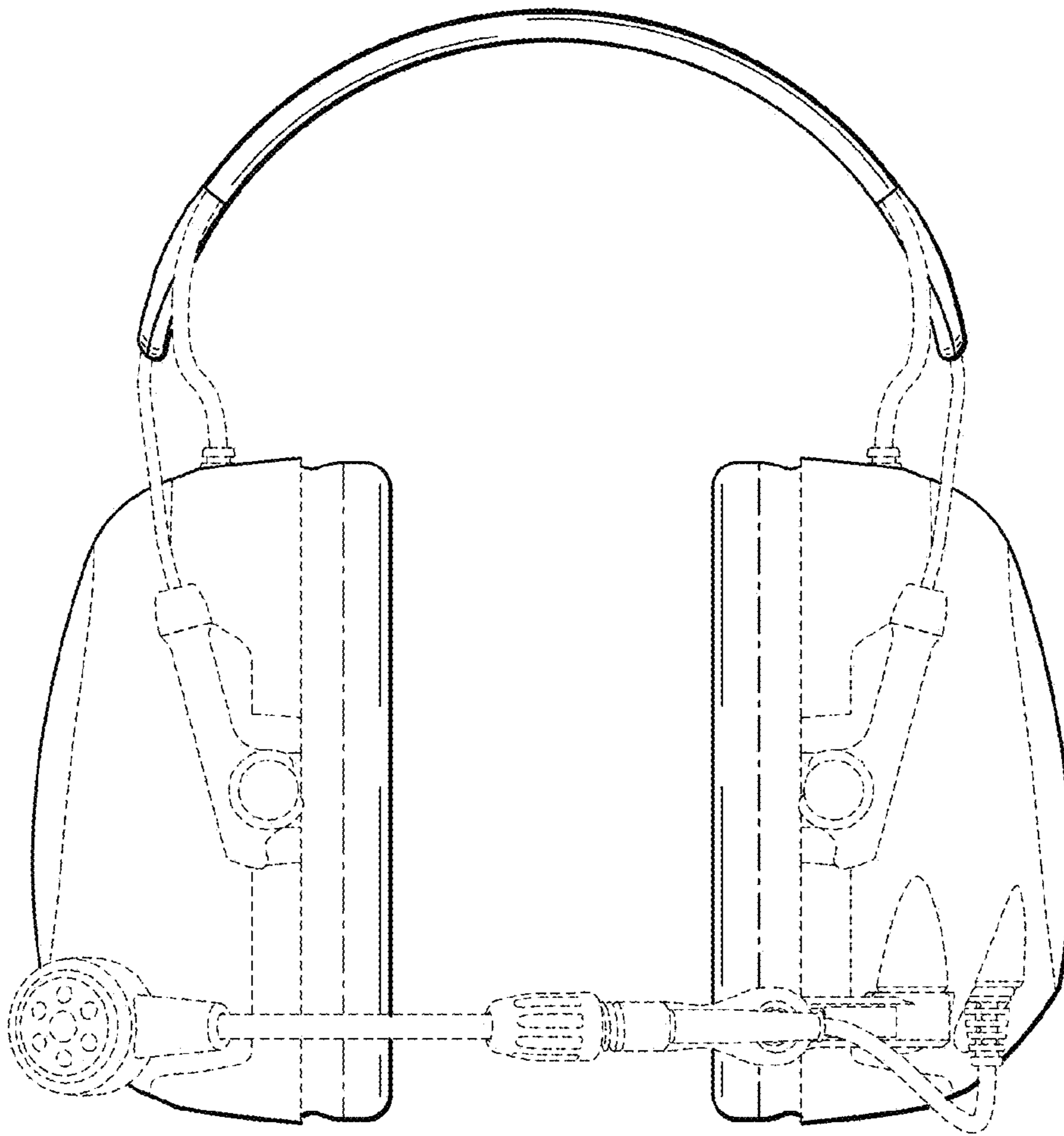


FIG. 2

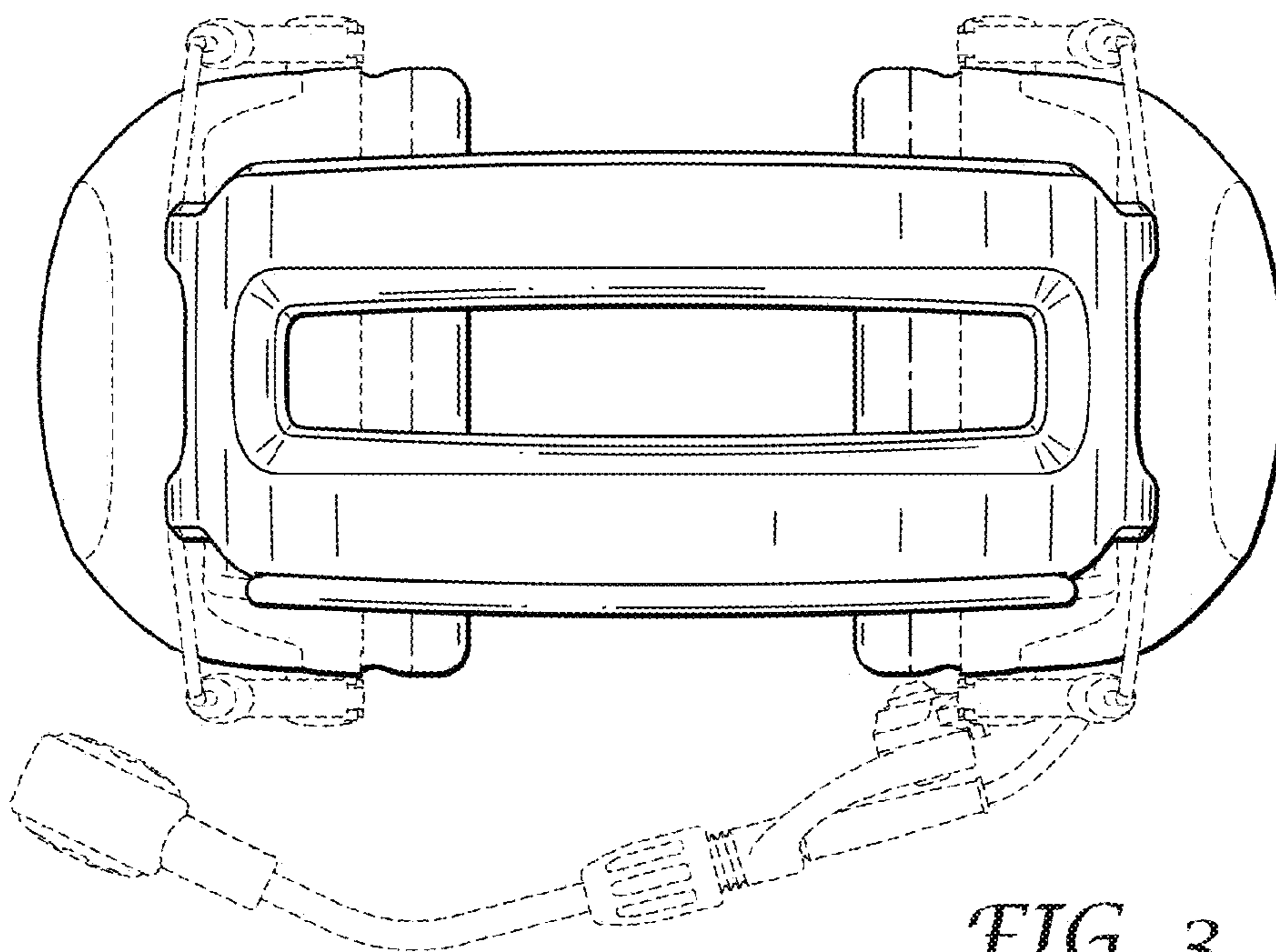
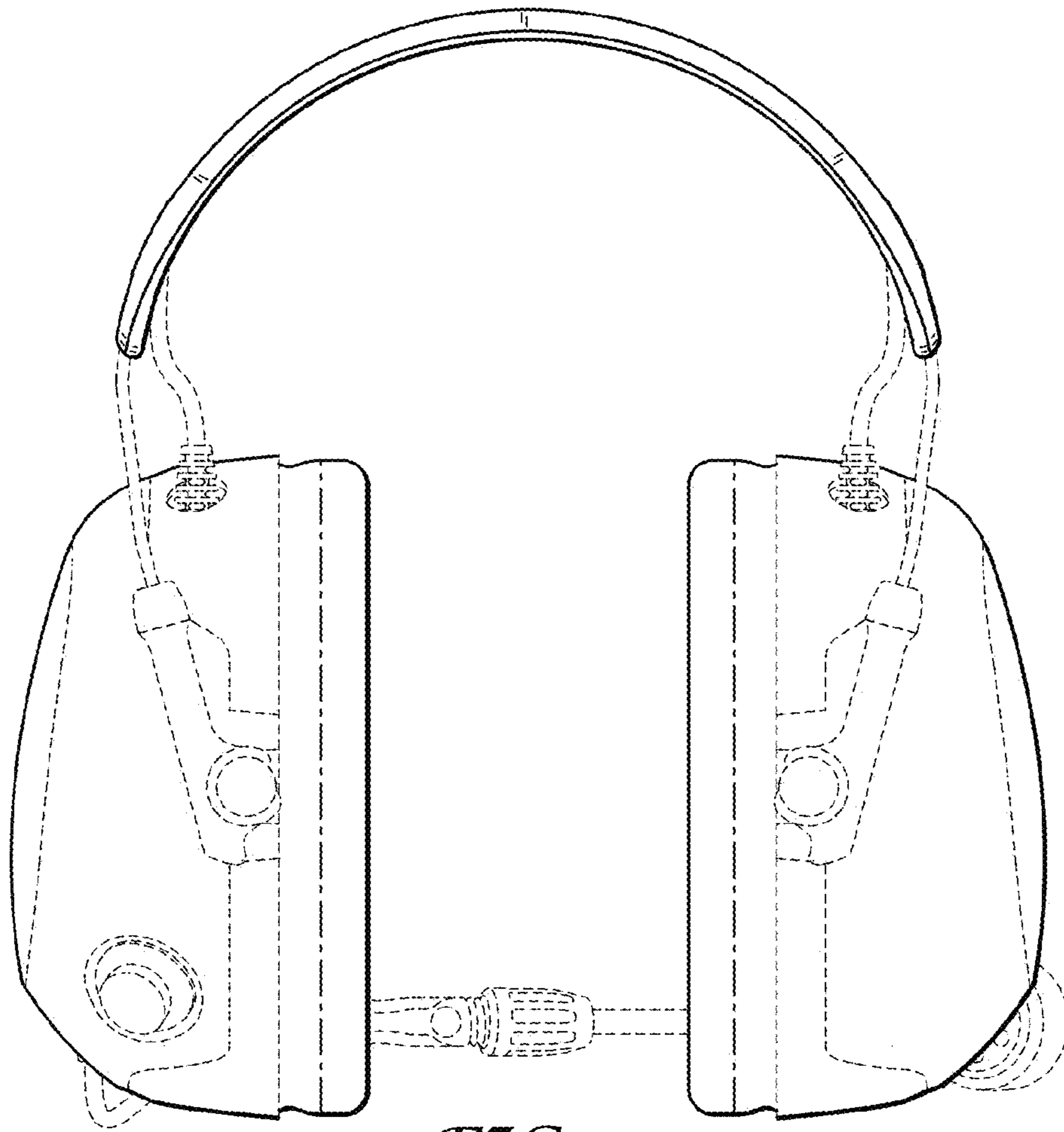
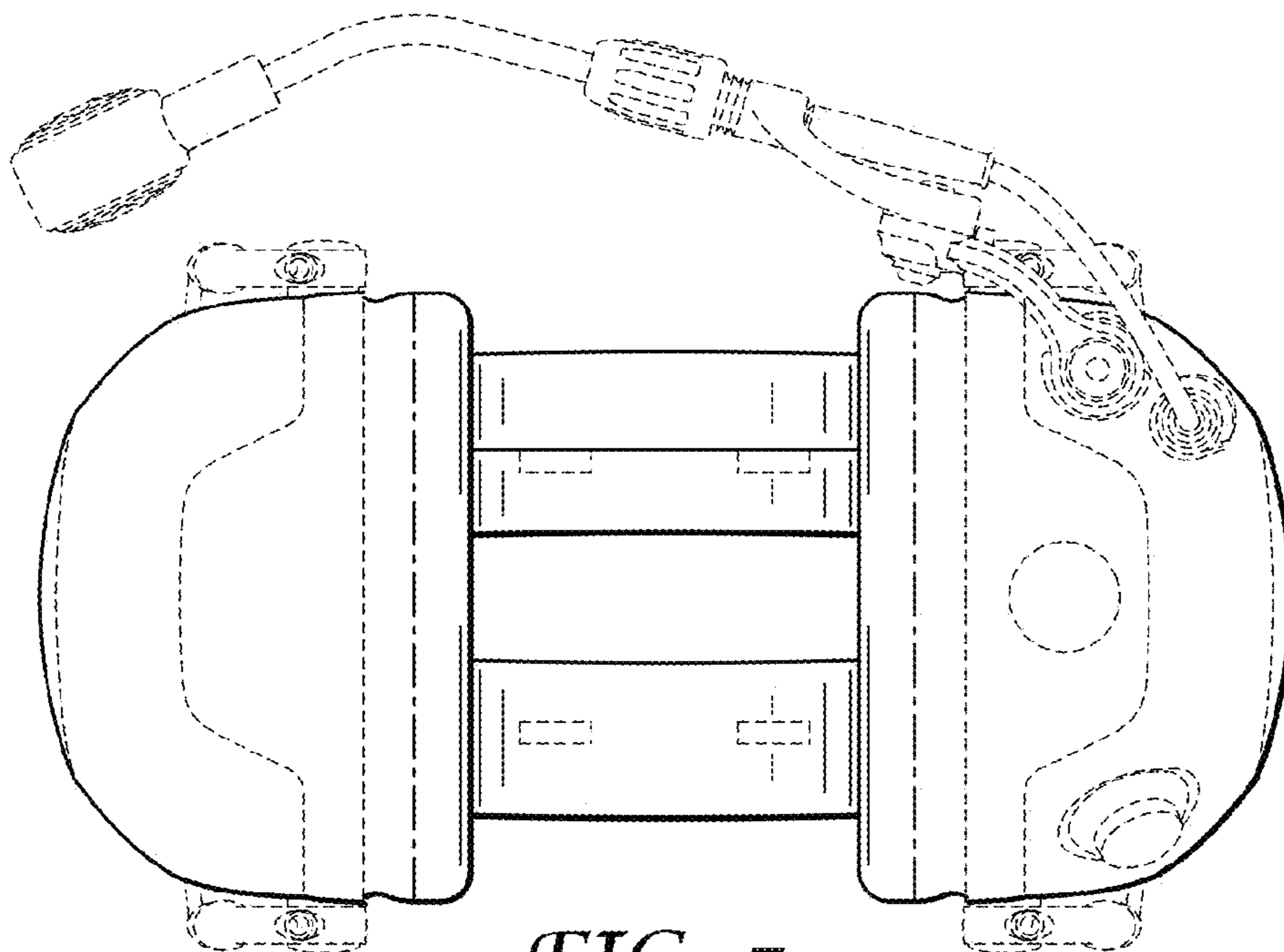


FIG. 3



*FIG. 4*



*FIG. 5*

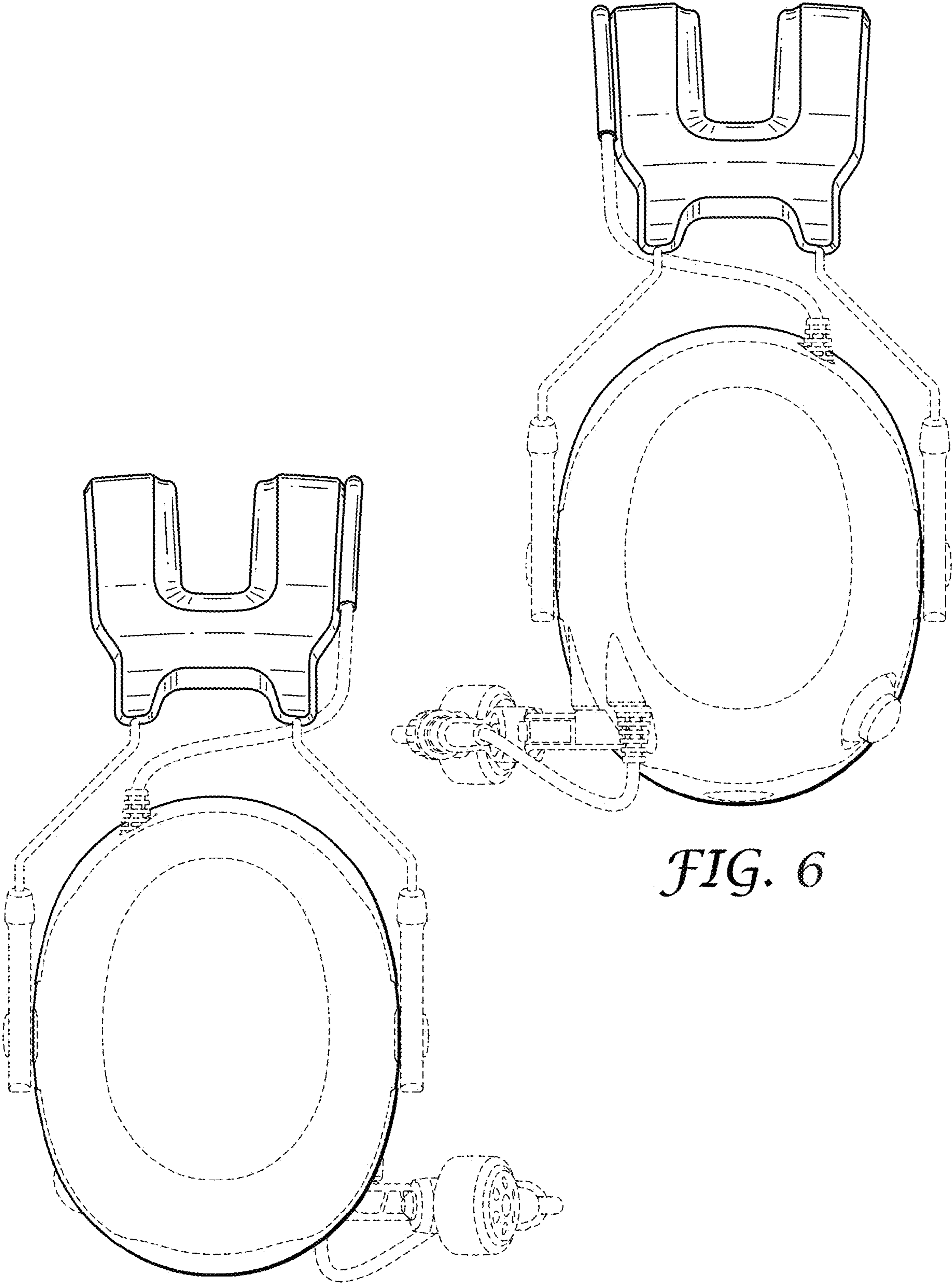


FIG. 6

FIG. 7