



US00D902490S

(12) **United States Design Patent**
Du et al.

(10) **Patent No.:** **US D902,490 S**

(45) **Date of Patent:** **** Nov. 17, 2020**

(54) **MICRO-ELECTRIC GRINDING MACHINE**

(71) Applicant: **Ningbo JSDA Electronic Industry Co., Ltd., Zhejiang (CN)**

(72) Inventors: **Peilin Du, Zhejiang (CN); Congxiang Wang, Zhejiang (CN)**

(73) Assignee: **Ningbo JSDA Electronic Industry Co., Ltd., Ningbo (CN)**

(**) Term: **15 Years**

(21) Appl. No.: **29/694,057**

(22) Filed: **Jun. 6, 2019**

(30) **Foreign Application Priority Data**

Dec. 7, 2018 (CN) 2018 3 0709608

(51) **LOC (12) Cl.** **28-03**

(52) **U.S. Cl.**
USPC **D28/58; D15/131**

(58) **Field of Classification Search**
USPC D14/496, 137, 155, 159, 225; D15/122, D15/124, 131, 132; D8/61, 62; D28/57-59, 61, 62; D10/49, 56, 57; D24/152, 146, 144, 170

CPC . A61B 17/54; A61B 17/1662; A61B 17/1686; A61M 37/00; A61N 1/303; A45D 29/00; A45D 29/05; A45D 29/06; A45D 29/14

See application file for complete search history.

(56) **References Cited**

U.S. PATENT DOCUMENTS

D255,997 S * 7/1980 Maeda D10/57
D405,232 S * 2/1999 Stevens D24/133
D419,843 S * 2/2000 Saitoh D8/61
D424,613 S * 5/2000 Chiang D18/57
D427,038 S * 6/2000 Lin D8/61
D427,039 S * 6/2000 Ono D8/61

D427,040 S * 6/2000 Heun D8/61
D447,801 S * 9/2001 Saitoh D24/146
D460,923 S * 7/2002 Chen D10/52
D484,762 S * 1/2004 Lee D8/62
D511,401 S * 11/2005 Park D28/58
D535,202 S * 1/2007 Sisk G01K 1/02
D10/57
D585,412 S * 1/2009 Kim D14/138 AB

(Continued)

OTHER PUBLICATIONS

Markatt, Nail Drill Electric Nail File Machine JD700 Professional 30000RPM Manicure Drill for Acrylic Nails Remove Gel Polish Poly Nail Extension Gel B-01, (site visited Aug. 11, 2020), Amazon.com, URL:<https://www.amazon.com/dp/B01JRGPH46> (Year: 2020).*

(Continued)

Primary Examiner — Sheryl Lane

Assistant Examiner — Mark T. Philipps

(74) *Attorney, Agent, or Firm* — Wayne & Ken, LLC; Tony Hom

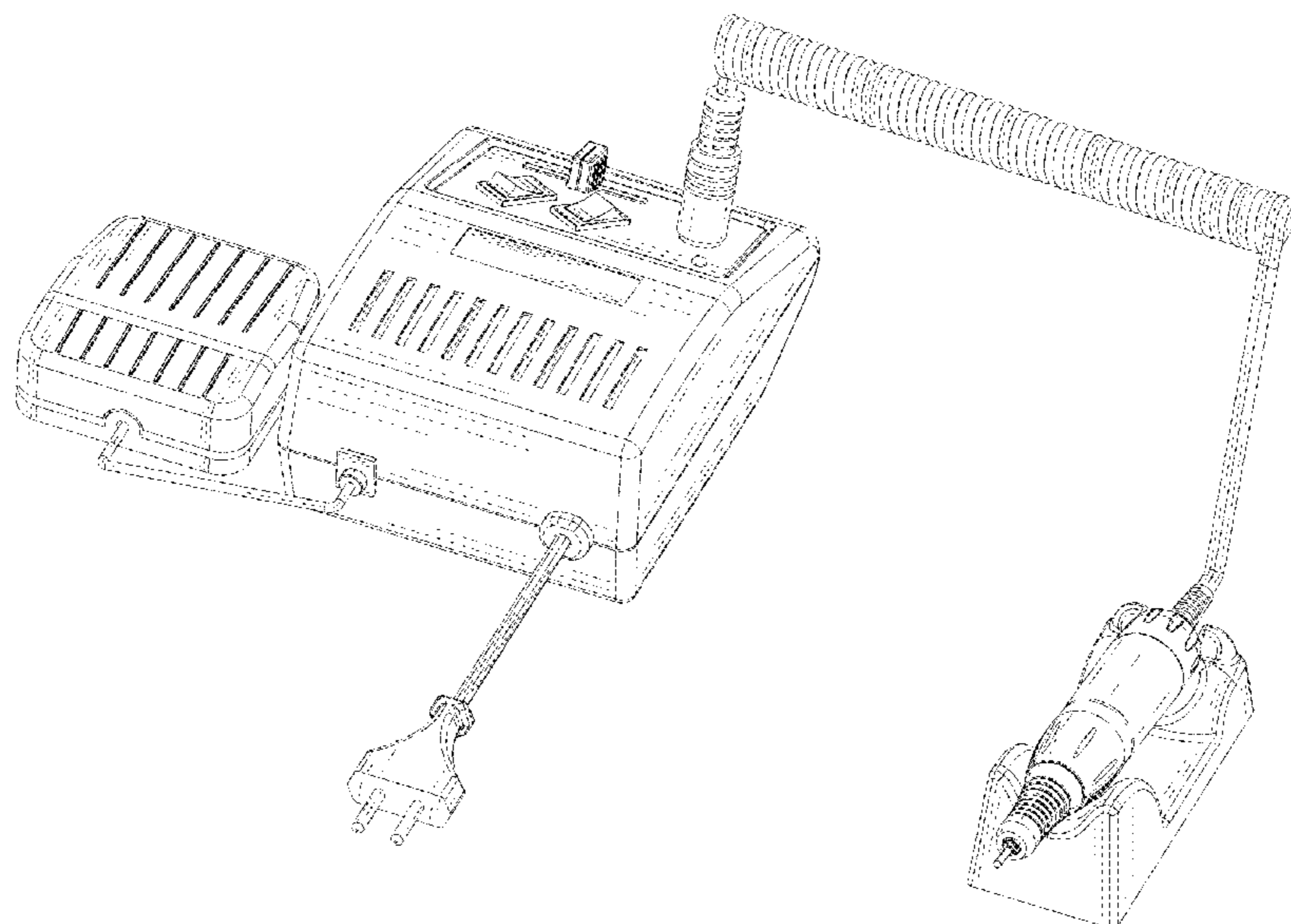
(57) **CLAIM**

The ornamental design for a micro-electric grinding machine, as shown and described.

DESCRIPTION

FIG. 1 is a perspective view of a micro-electric grinding machine showing my new design; FIG. 2 is a front elevation view thereof; FIG. 3 is a back elevation view thereof; FIG. 4 is a left side view thereof; FIG. 5 is a right side view thereof; FIG. 6 is a top plan view thereof; and, FIG. 7 is a bottom plan view thereof; The broken lines in the drawing depict environmental subject matter only and form no part of the claimed design.

1 Claim, 7 Drawing Sheets



(56)

References Cited

U.S. PATENT DOCUMENTS

D587,365 S * 2/2009 Boaz D10/49
D637,287 S * 5/2011 Mudd D24/133
D688,109 S * 8/2013 Vanderbeek D8/61
D752,997 S * 4/2016 Miller D10/57
D765,523 S * 9/2016 Chapman D10/57
D825,107 S * 8/2018 Du D28/58
D861,450 S * 10/2019 Mancini D8/61

OTHER PUBLICATIONS

Frezarka, JSDA Nail Drill JD 700 White 35W , (site visited Aug. 11, 2020), neonail.com, URL:<<https://www.neonail.pl/produkt/frezarka-jsda-nail-drill-jd-700-white-35w.html>> (Year: 2020).*

Medicool, Pro Power 20k Professional Electric File, (site visited Aug. 11, 2020), Amazon.com, URL:<<https://www.amazon.com/Medicool-Power-Professional-Electric-File/dp/B001QZ5LPC>> (Year: 2020).*

* cited by examiner

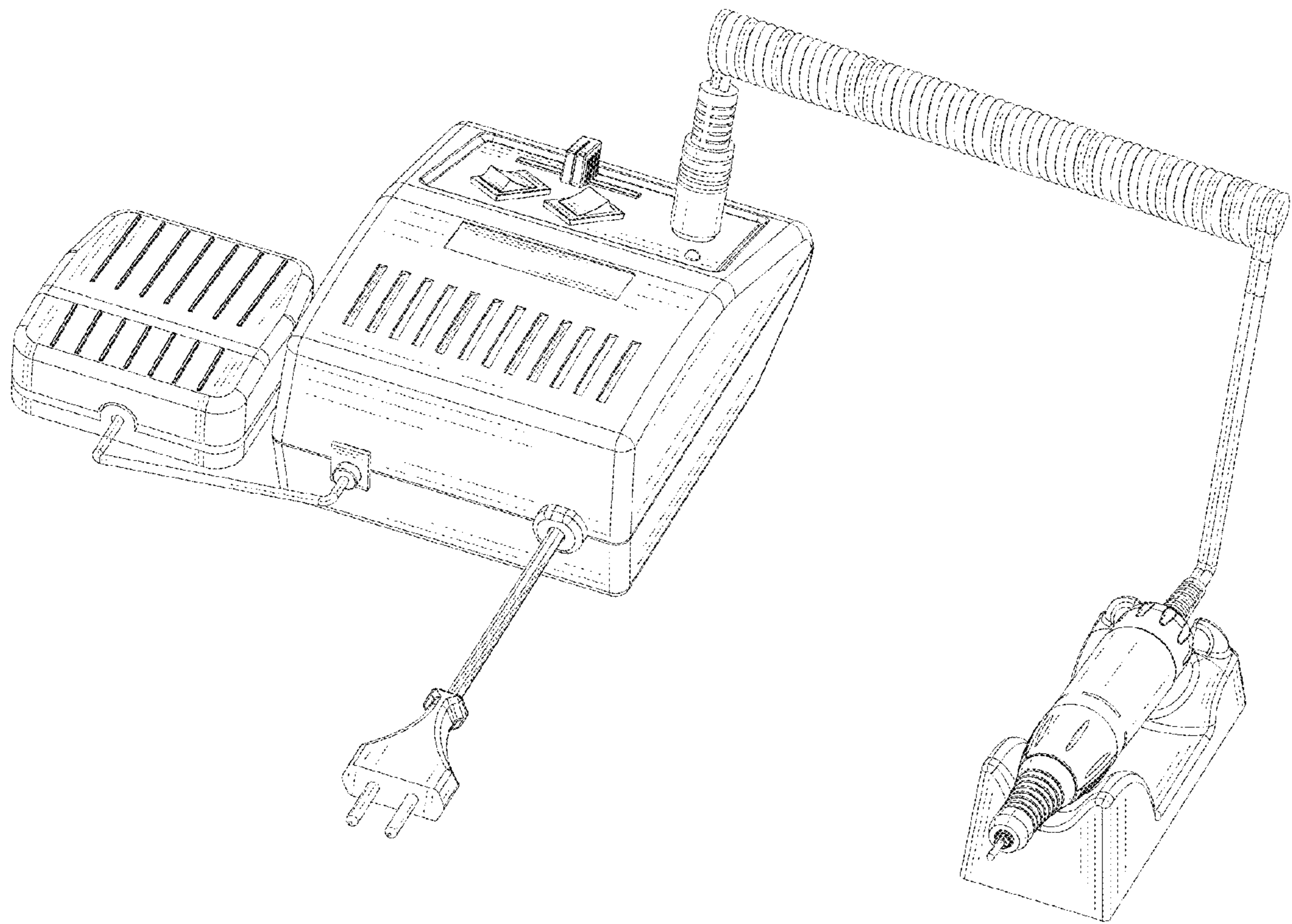


FIG. 1

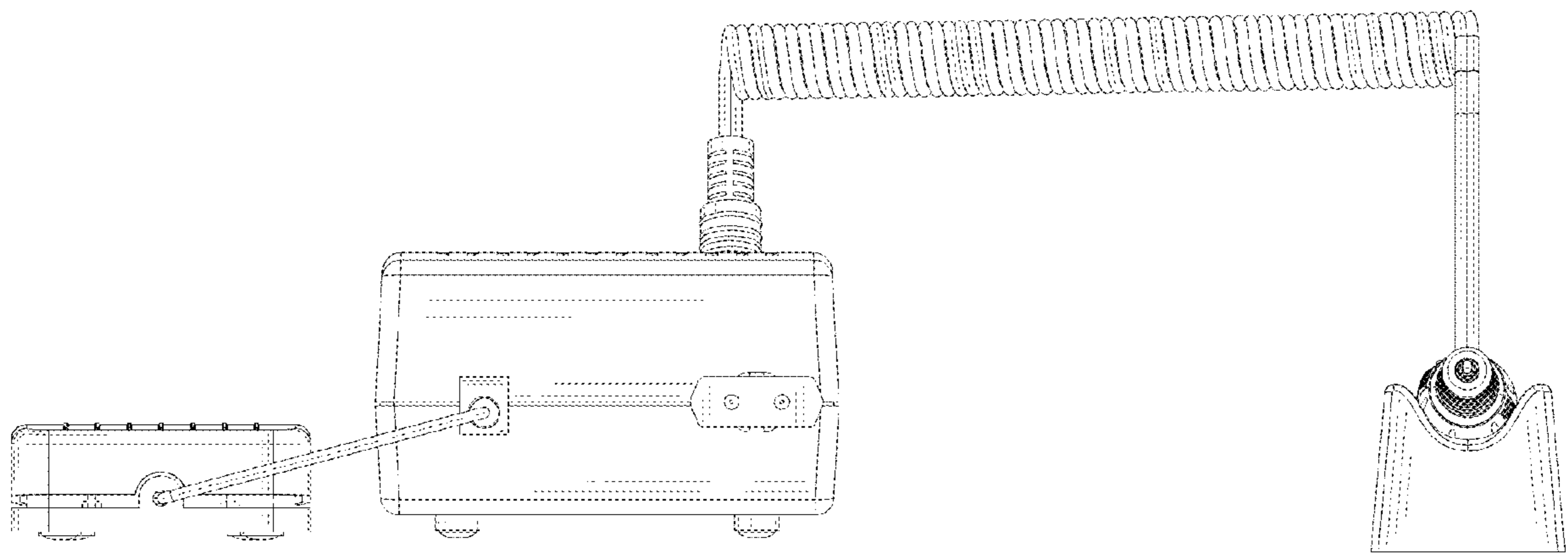


FIG. 2

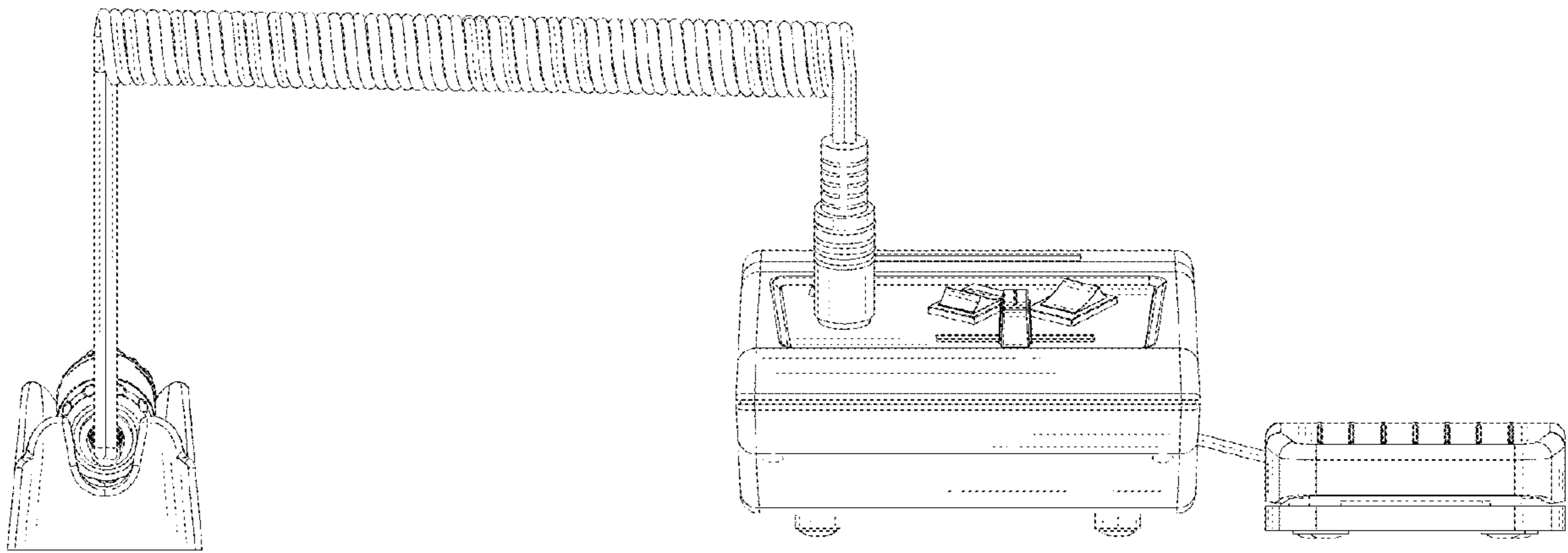


FIG. 3

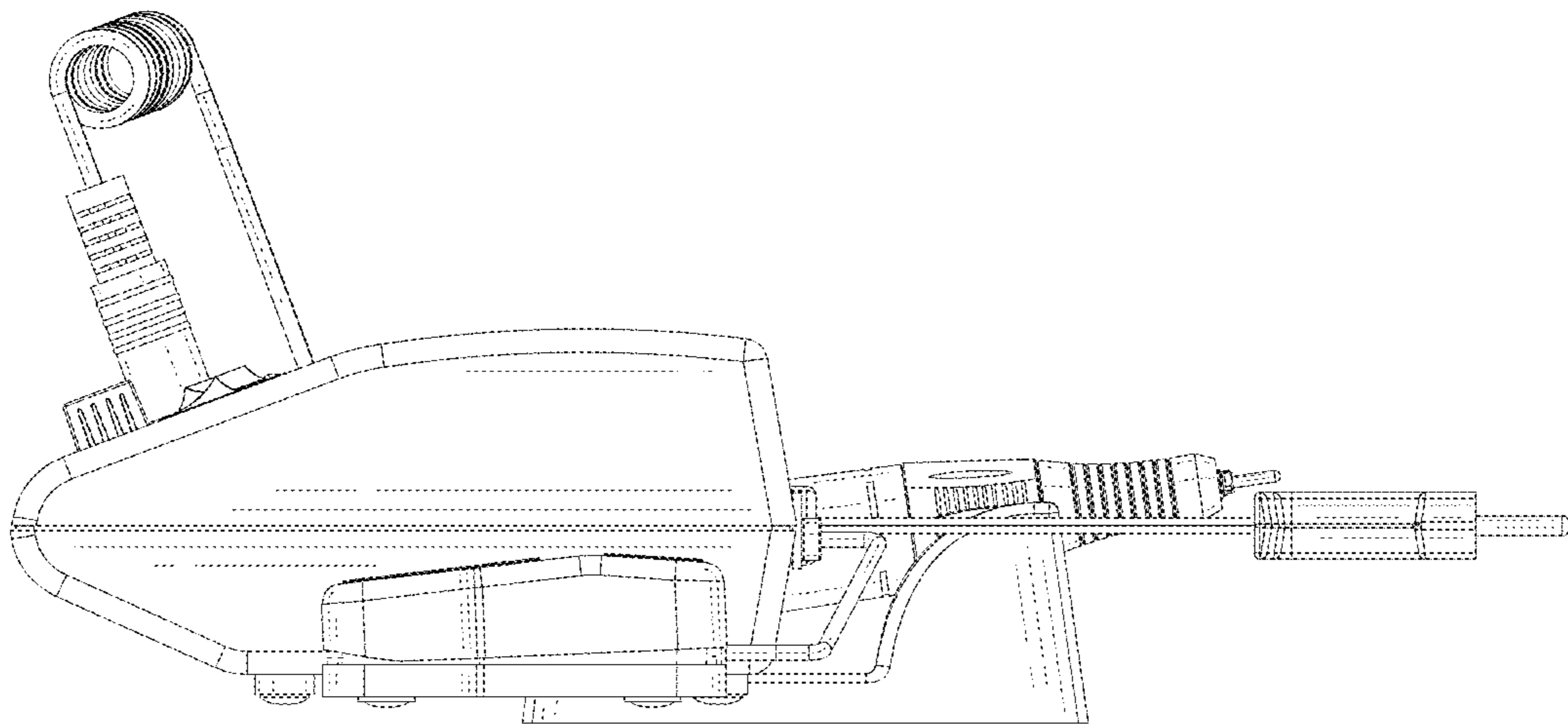


FIG. 4

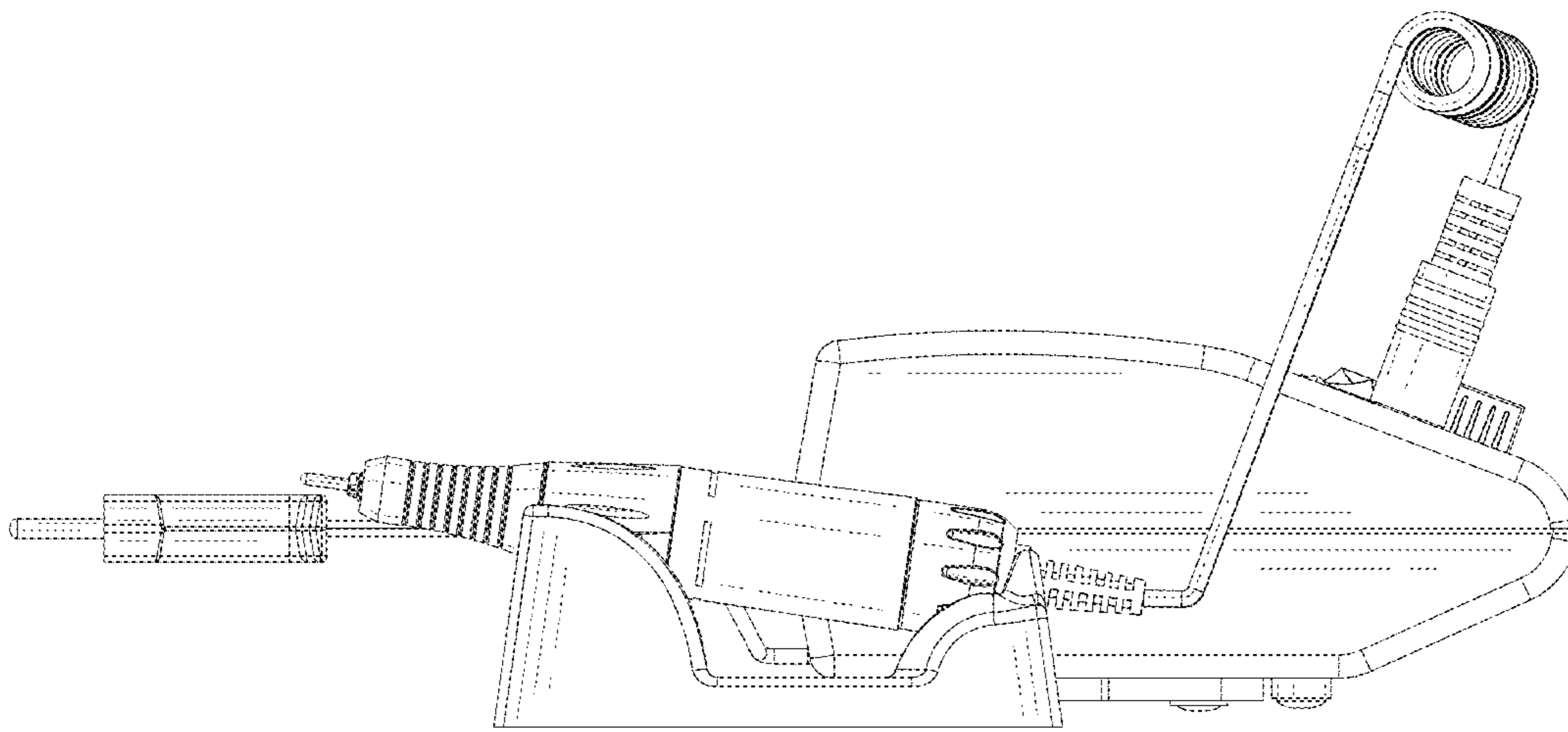


FIG. 5

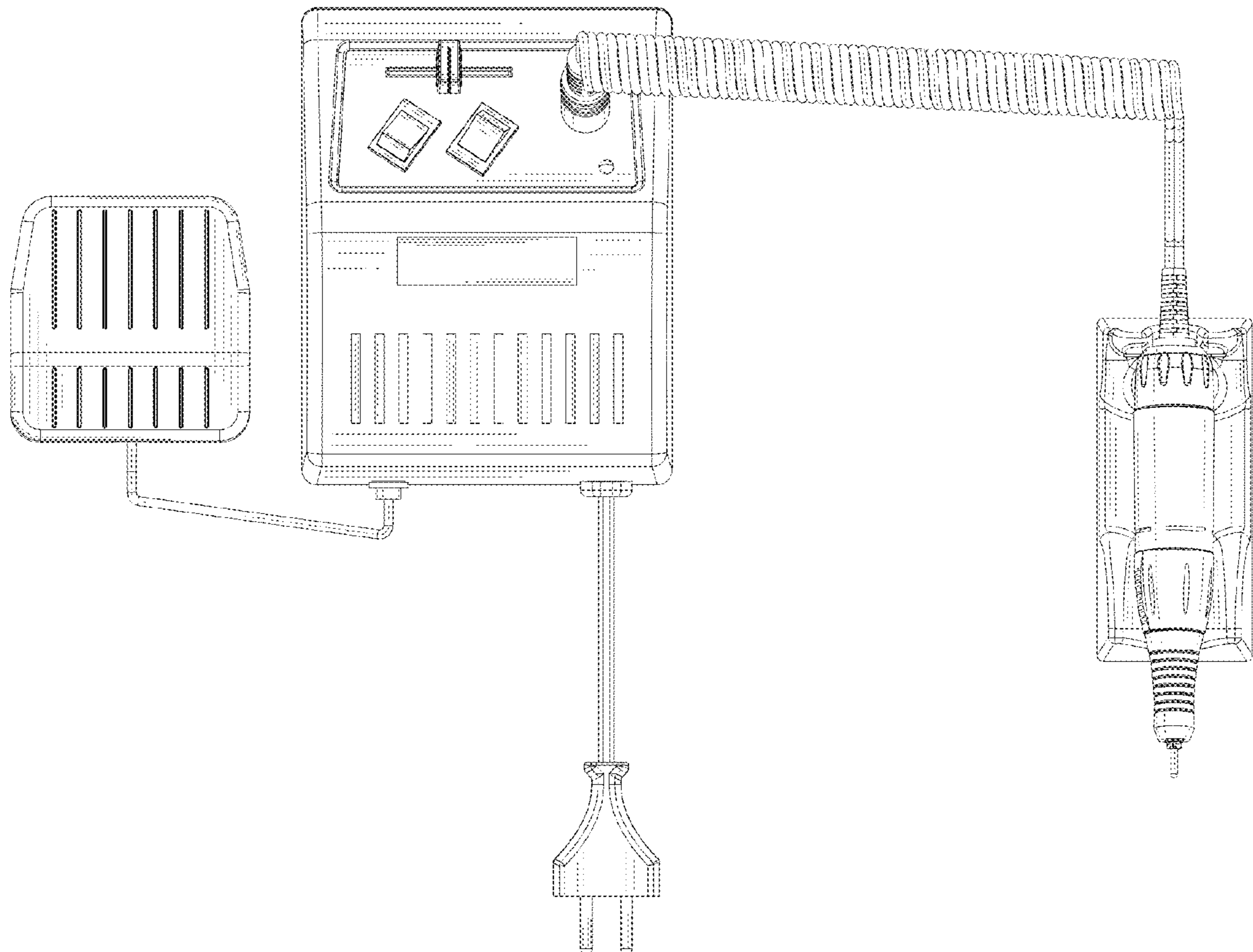


FIG. 6

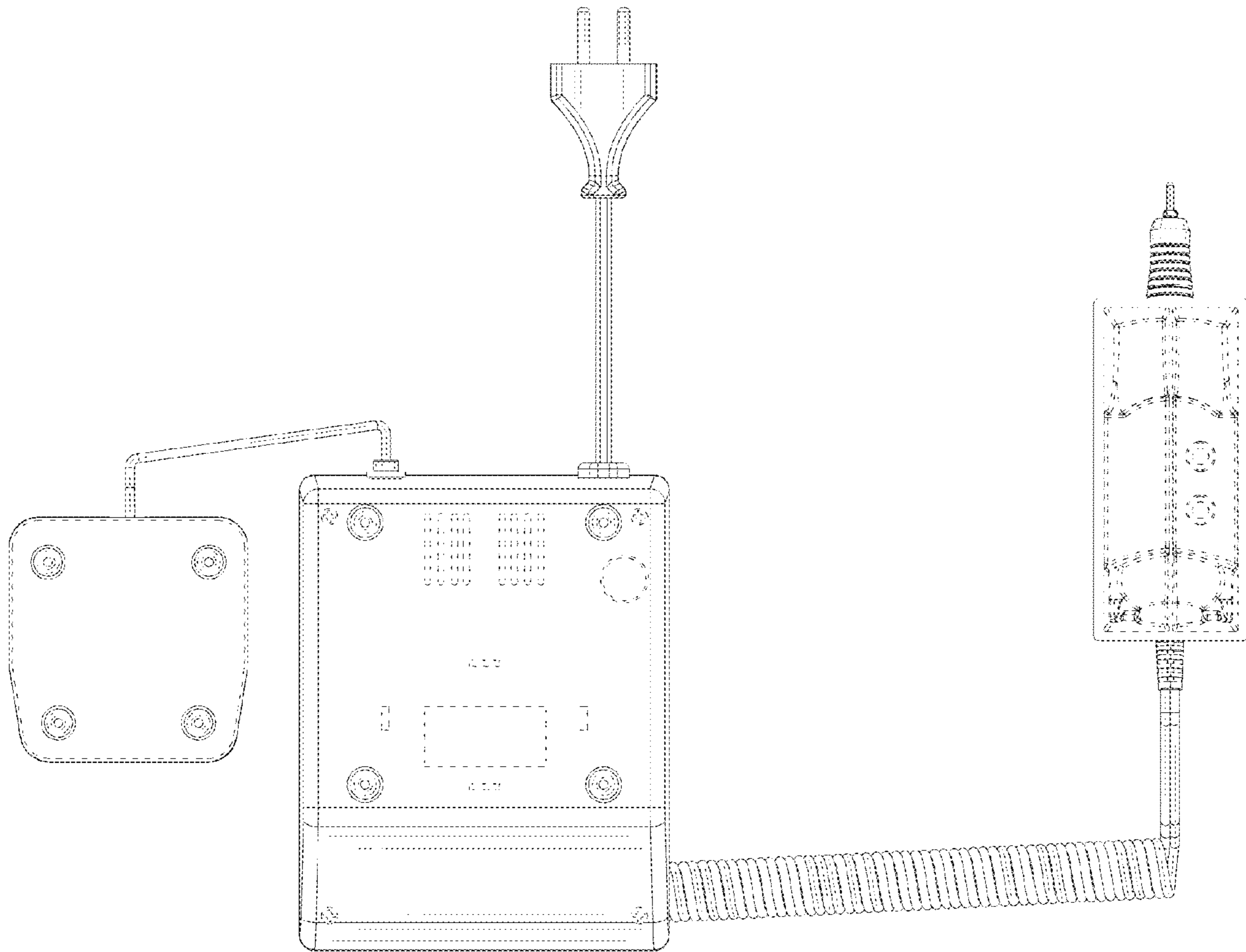


FIG. 7