



US00D902488S

(12) **United States Design Patent** (10) **Patent No.:** **US D902,488 S**
Song et al. (45) **Date of Patent:** **** Nov. 17, 2020**

(54) **WRIST REST FOR NAIL ART**
(71) Applicants: **Kyoung Hee Song**, Seoul (KR);
Kyoung Mee Song, Seoul (KR)
(72) Inventors: **Kyoung Hee Song**, Seoul (KR);
Kyoung Mee Song, Seoul (KR)

D681,994 S * 5/2013 Morgan, II D6/601
D701,710 S * 4/2014 Martinez D6/601
D758,100 S * 6/2016 Pham D6/601
D809,825 S * 2/2018 Clores D6/601
D821,780 S * 7/2018 Strandberg D6/596
10,405,632 B2 * 9/2019 King A45D 29/00

(**) Term: **15 Years**
(21) Appl. No.: **29/687,439**
(22) Filed: **Apr. 12, 2019**

(30) **Foreign Application Priority Data**

Mar. 13, 2019 (KR) 30-2019-0011364

(51) **LOC (12) Cl.** **28-03**
(52) **U.S. Cl.**
USPC **D28/56; D8/601**

(58) **Field of Classification Search**
USPC D6/601; D21/684, 686; D24/183, 184,
D24/232; D28/56, 57, 61, 62
CPC A45D 29/00; A45D 29/22; A41D 13/087;
A61B 17/54; A61G 13/124; A47B
21/0371; A47B 2021/0307; A47B
2021/0378; A47B 2200/0091; A47C 7/54;
A47C 16/00

See application file for complete search history.

(56) **References Cited**

U.S. PATENT DOCUMENTS

D334,107 S * 3/1993 Johnson D6/601
D353,173 S * 12/1994 Almeda D21/687
D406,394 S * 3/1999 Mulaisho D28/56
D550,974 S * 9/2007 Thornbury D6/361
D565,372 S * 4/2008 Stegmeier D8/45
D618,354 S * 6/2010 Francucci D24/183
D665,503 S * 8/2012 Dennewald D24/183

OTHER PUBLICATIONS

Hand Rest Cushion [online], [site visited Aug. 27, 2020]. Available from internet, URL: <https://www.amazon.com/Cushion-Detachable-Pillow-Manicure-Washable/dp/B085495YCY/ref=sr_1_15?dchild=1&keywords=cushion%2Bfor%2Bmanicure&qid=1598556876&sr=8-15&th=1> (Year: 2020).*

Elevation Arm/Hand Support [online], [site visited Aug. 27, 2020]. Available from internet, URL: <https://www.alimed.com/elevation-arm-hand-support.html?pid=66804&gclid=Cj0KCQjws536BRDTARIsANeUZ5-6rHBgdgD0TUr2CKg3VPLaotGOGHNoQZ_slccTYJAgeGhaKXW8ialaAtISEALw_wcB> (Year: 2020).*

* cited by examiner

Primary Examiner — Cynthia Ramirez
Assistant Examiner — Xavier Marti-Santos
(74) *Attorney, Agent, or Firm* — Rabin & Berdo, P.C.

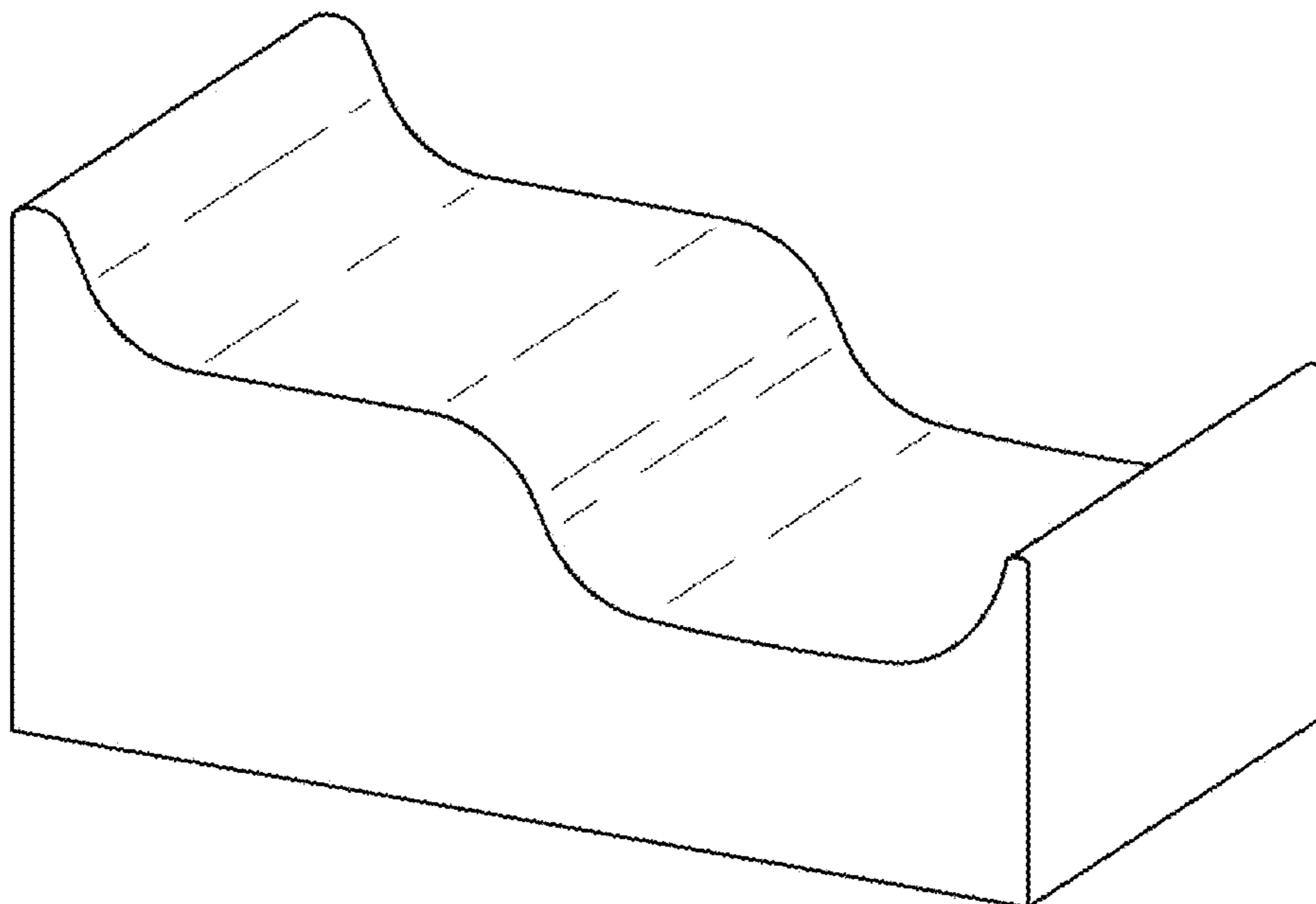
(57) **CLAIM**

The ornamental design for wrist rest for nail art, as shown and described.

DESCRIPTION

FIG. 1 is a perspective view of a wrist rest for nail art; FIG. 2 is a front view thereof; FIG. 3 is a rear view thereof; FIG. 4 is a left side view thereof; FIG. 5 is a right side view thereof; FIG. 6 is a top view thereof; and, FIG. 7 is a bottom view thereof.

1 Claim, 4 Drawing Sheets



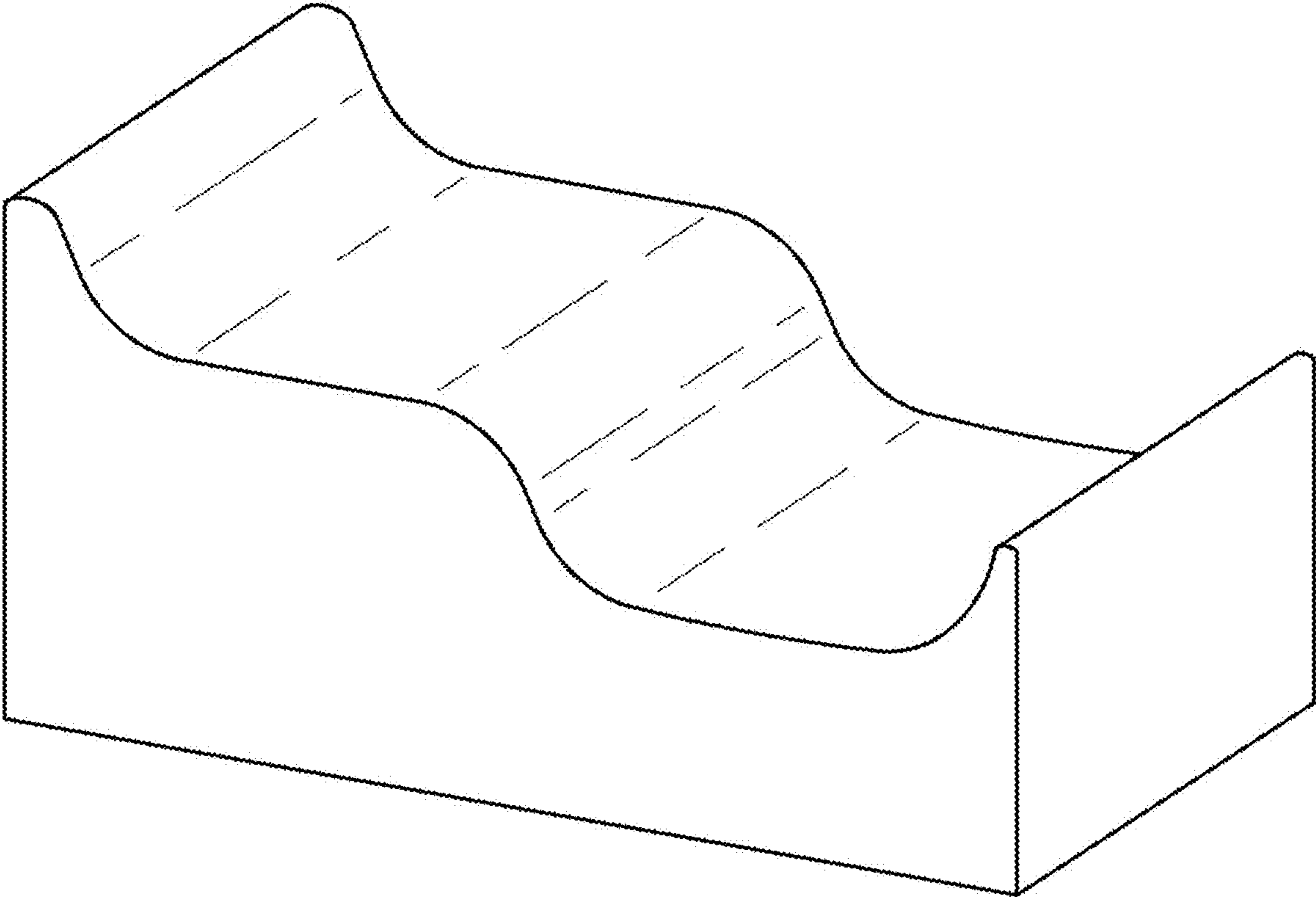


FIG. 1

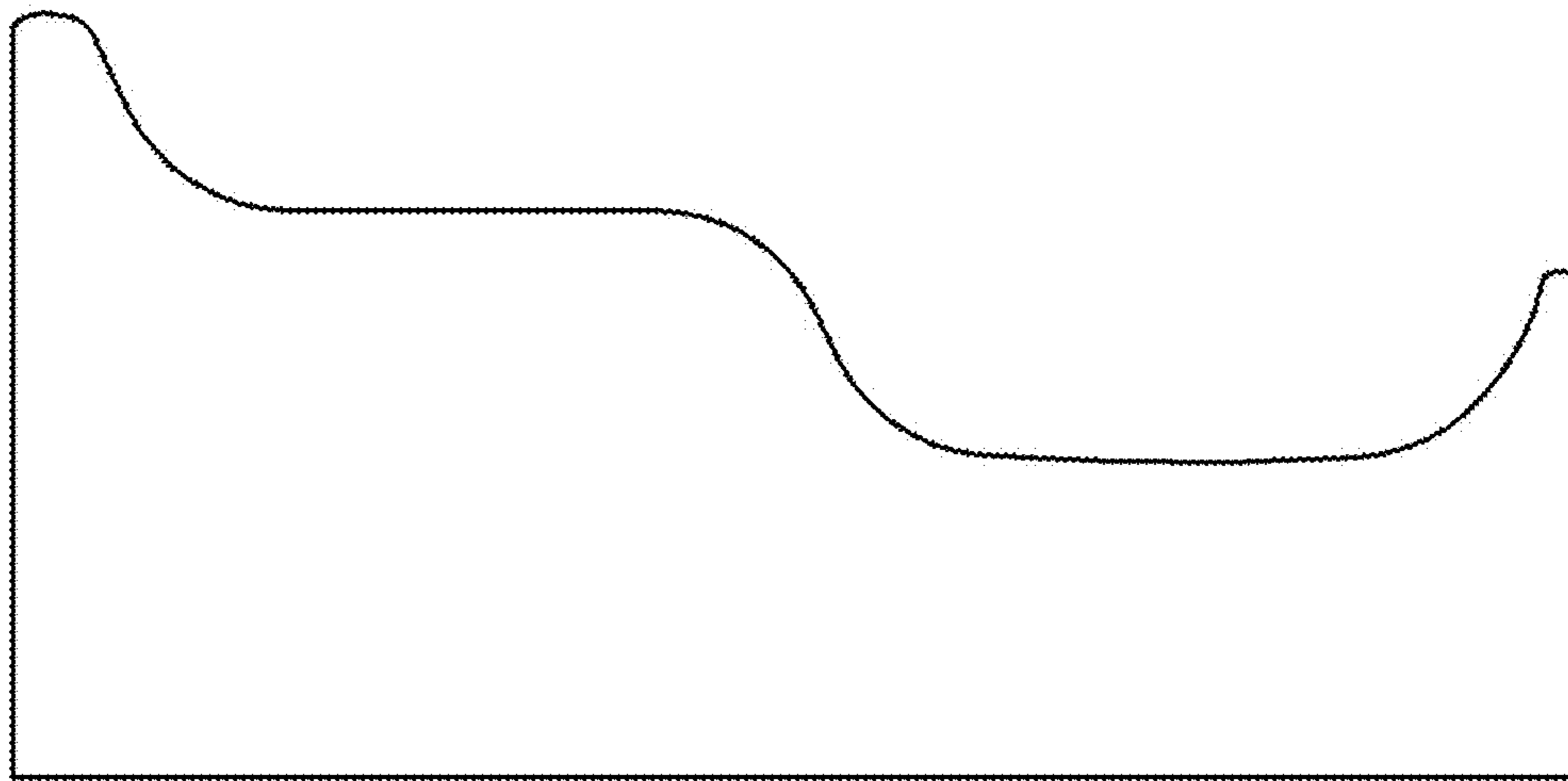


FIG. 2

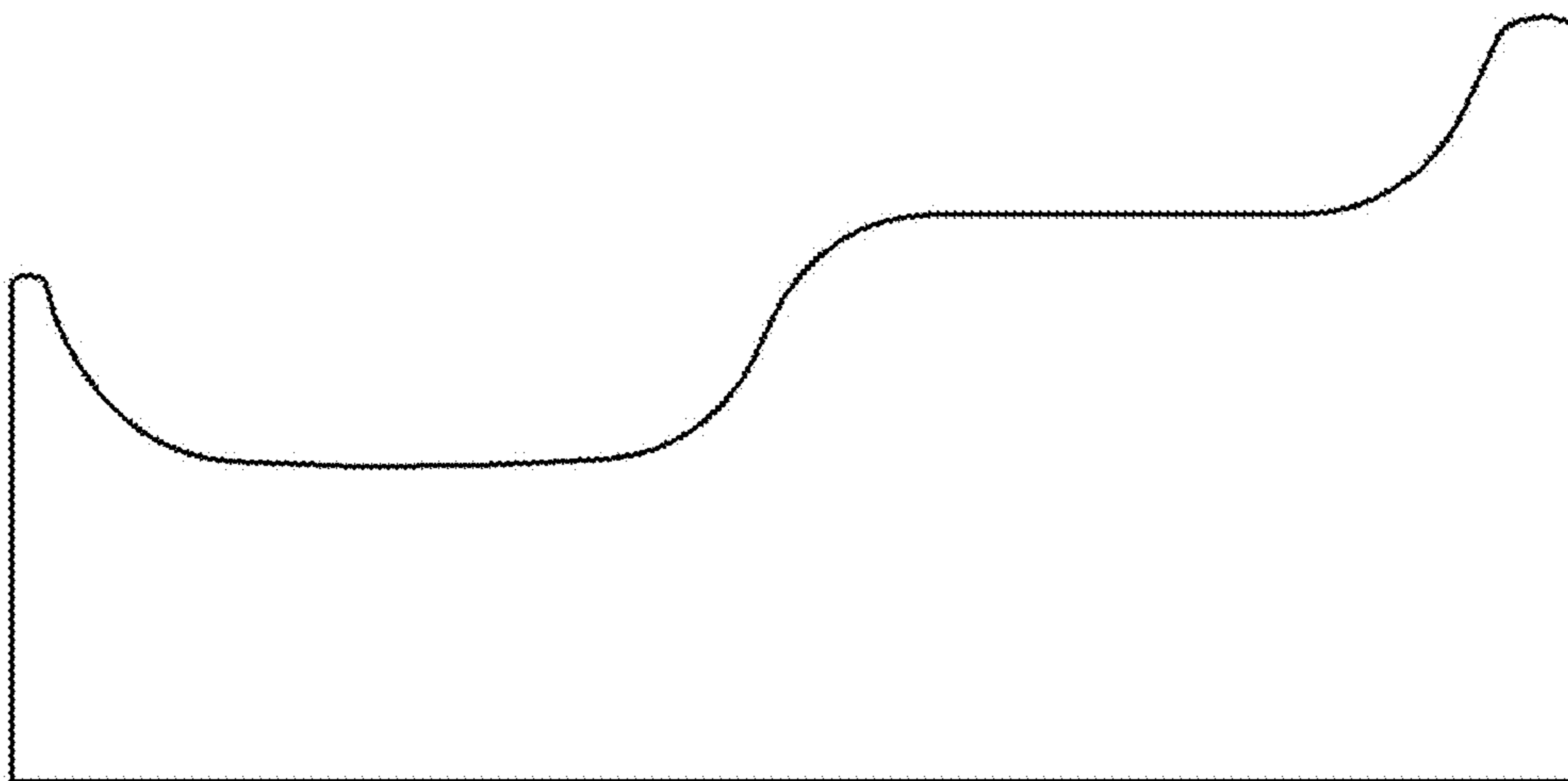


FIG. 3

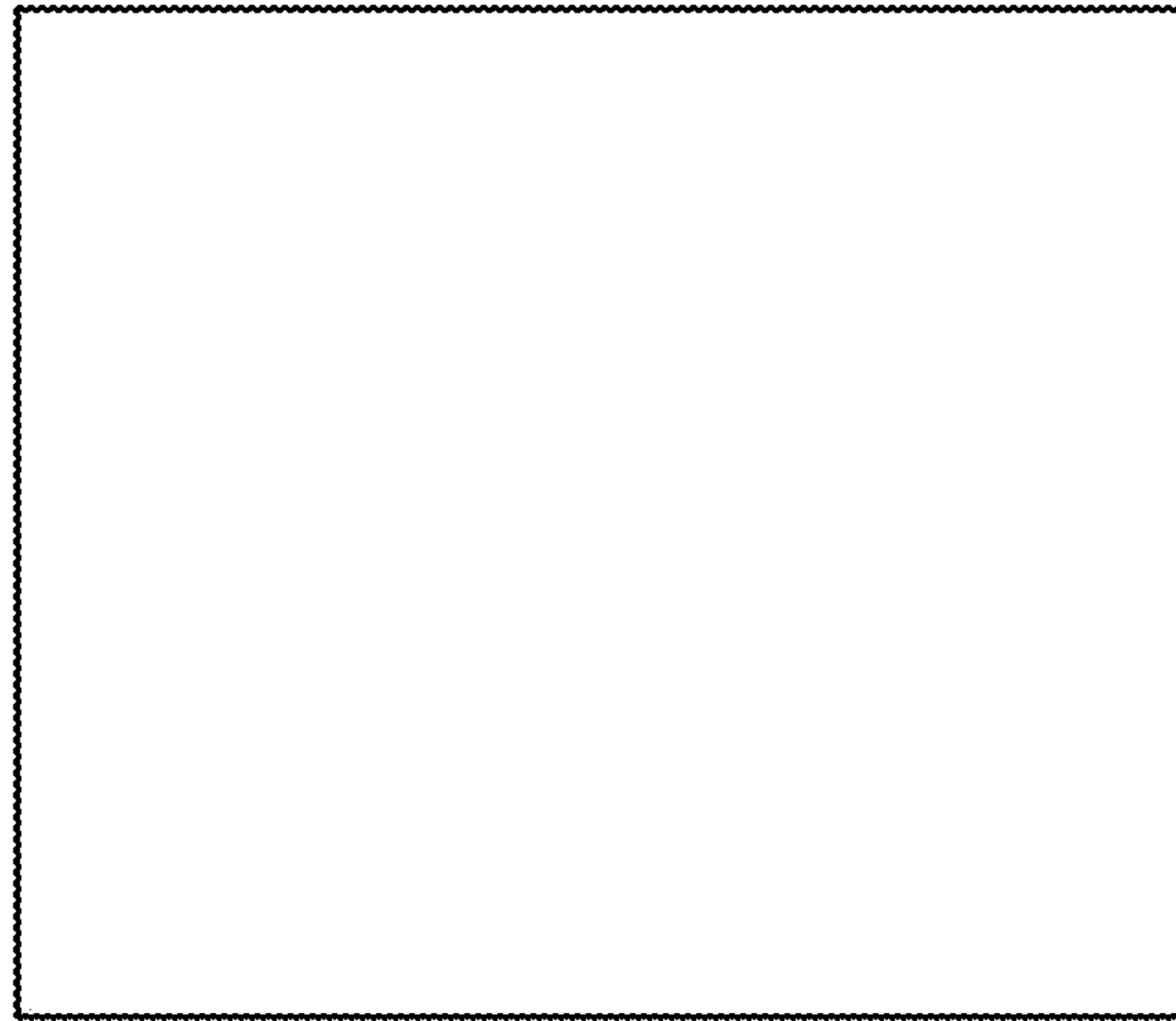


FIG. 4

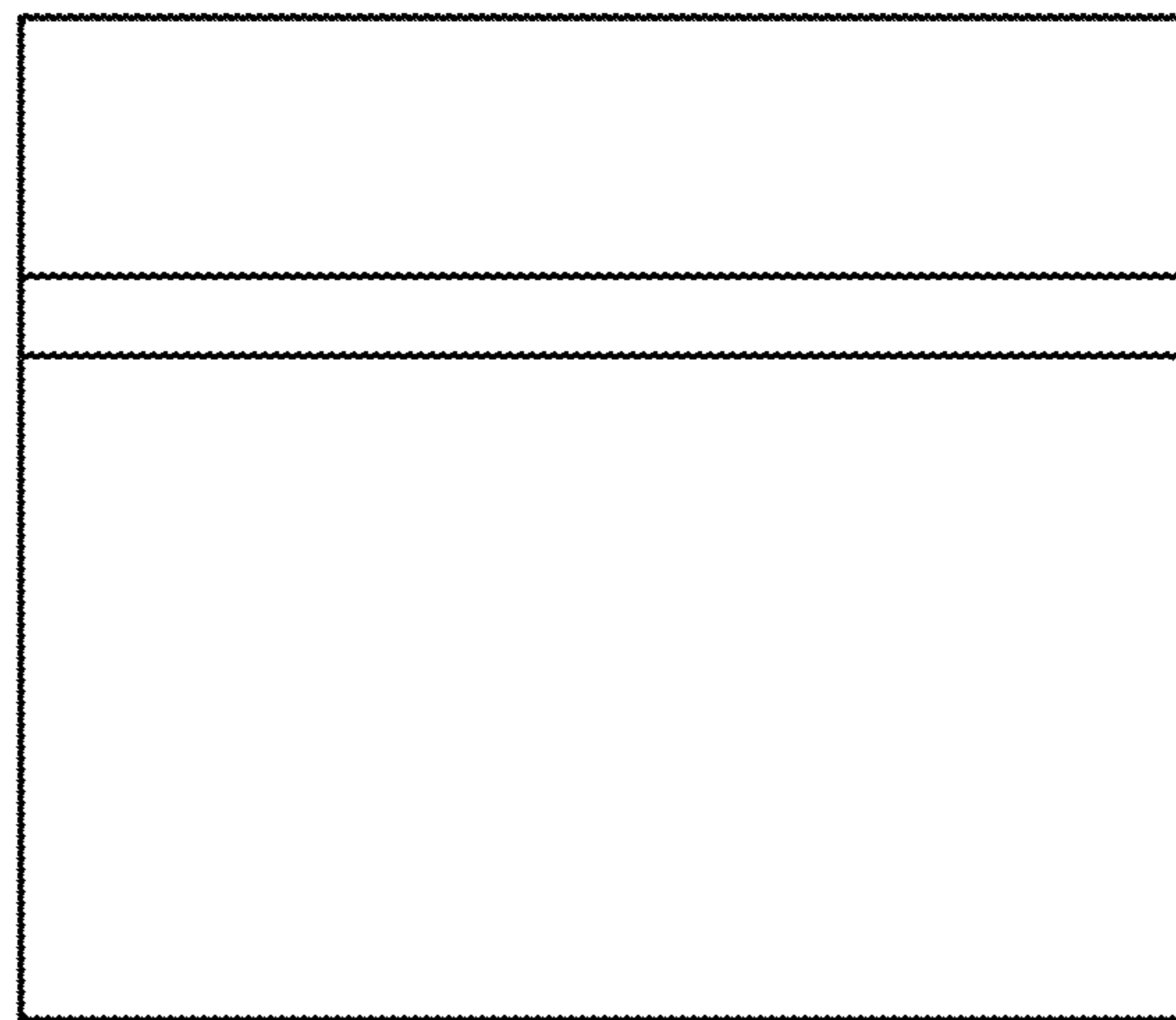


FIG. 5

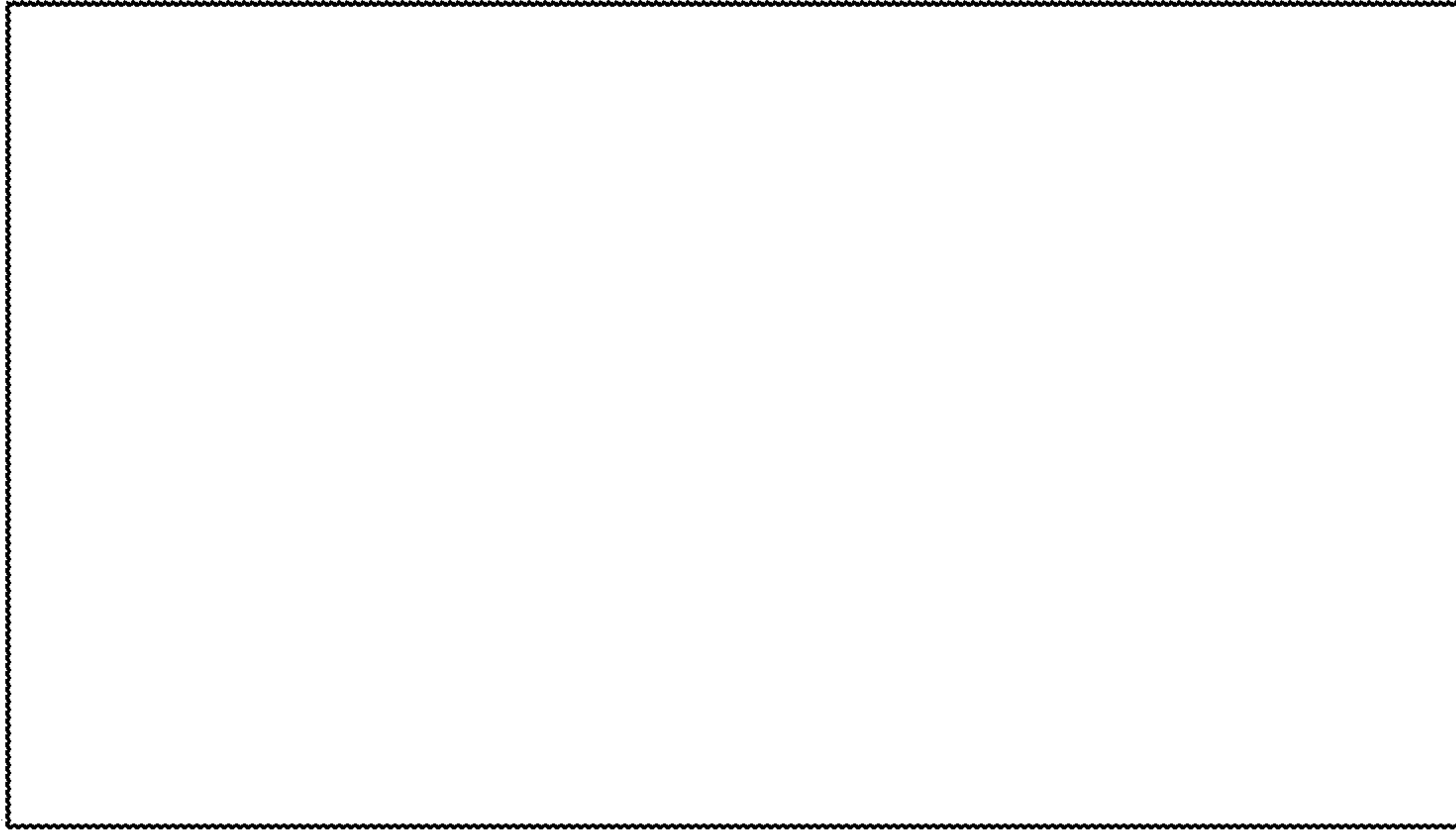


FIG. 6

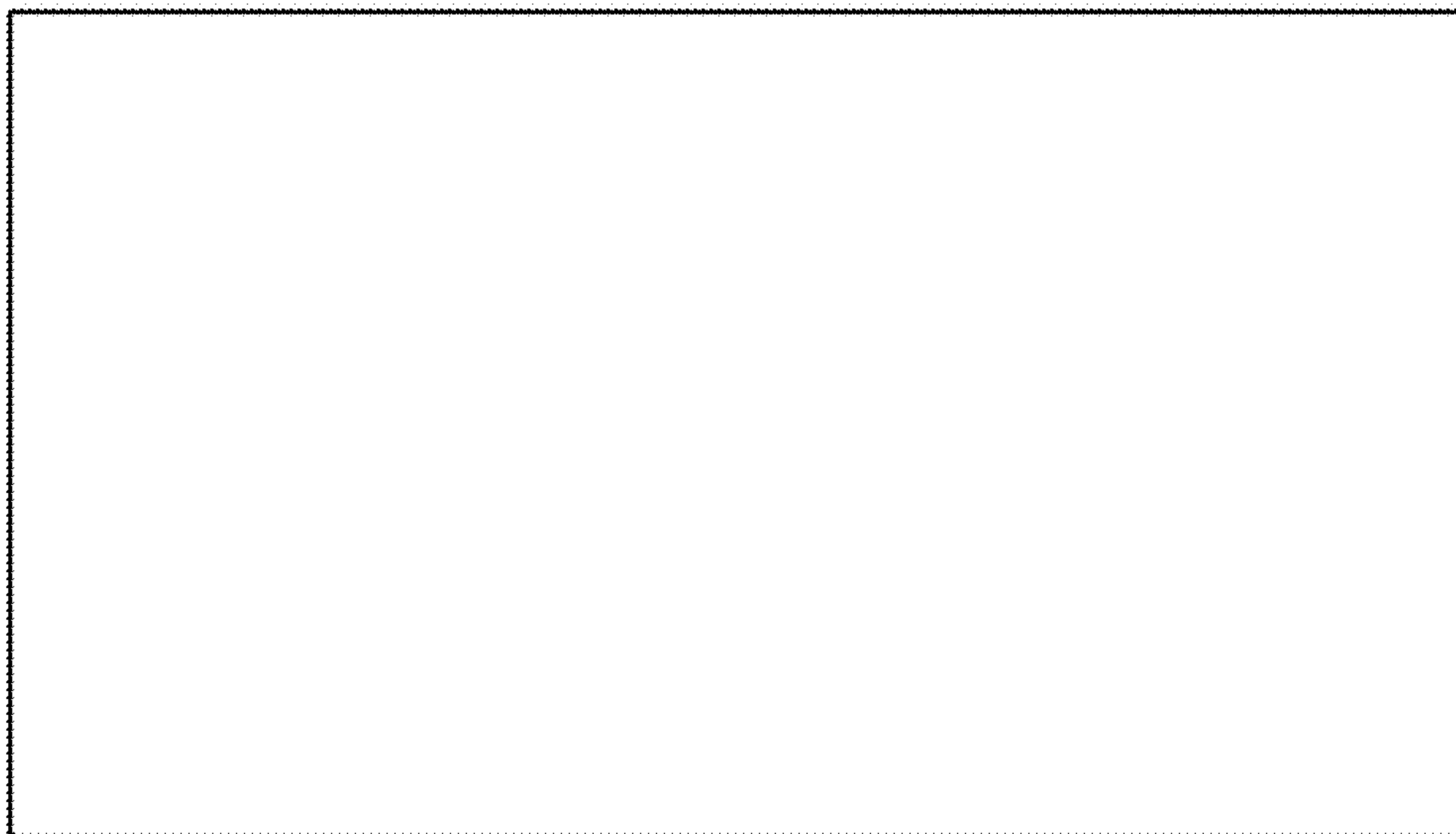


FIG. 7