



US00D902486S

(12) **United States Design Patent** (10) **Patent No.:** **US D902,486 S**
Andersson (45) **Date of Patent:** **** Nov. 17, 2020**

(54) **SHAVER**

D593,252 S * 5/2009 Masuda D28/50
D604,013 S * 11/2009 Qiu D28/50
D621,097 S * 8/2010 Nishizawa D28/51
D722,200 S * 2/2015 Nitsch D28/53

(Continued)

(71) Applicant: **KONINKLIJKE PHILIPS N.V.**,
Eindhoven (NL)

(72) Inventor: **Jens Peter Kophmann Andersson**,
Amsterdam (NL)

FOREIGN PATENT DOCUMENTS

(73) Assignee: **KONINKLIJKE PHILIPS N.V.**,
Eindhoven (NL)

EP 1170098 A2 * 1/2002 B26B 19/04
JP D2013-29645 * 12/2013

(**) Term: **15 Years**

OTHER PUBLICATIONS

(21) Appl. No.: **35/504,742**

Amazon, Shaver, posted Jun. 24, 2011, [online], [visited Jan. 2, 2019]. Internet, <URL: https://www.amazon.co.uk/Philips-DualPrecision-Shaving-PT860-17/dp/B004XIBA7W/ref=sr_1_13_a_it?ie=UTF8&qid=1546473302&sr=8-13&keywords=PHILIPS+RAZOR> (Year: 2011).*

(22) Filed: **Oct. 18, 2017**

(80) **Hague Agreement Data**

Int. Filing Date: **Oct. 18, 2017**
Int. Reg. No.: **DM/098347**
Int. Reg. Date: **Oct. 18, 2017**
Int. Reg. Pub. Date: **Apr. 20, 2018**

Primary Examiner — Jeffrey D Asch
Assistant Examiner — Samantha N Wood

(51) **LOC (12) Cl.** **28-03**

(57) **CLAIM**

The ornamental design for a shaver, as shown and described.

(52) **U.S. Cl.**

DESCRIPTION

USPC **D28/50**

(58) **Field of Classification Search**

USPC D28/44, 45, 49, 50, 51, 52, 53, 54, 44.1,
D28/44.2
CPC B26B 19/00; B26B 19/02; B26B 19/04;
B26B 19/042; B26B 19/044; B26B
19/046; B26B 19/06; B26B 19/12; B26B
19/38

The patent or application file contains at least one drawing executed in color. Copies of this patent or patent application publication with color drawing(s) will be provided by the Office upon request and payment of the necessary fee.

1. Shaver

1.1 is a front perspective view showing the shaver of my design;

1.2 is a left side elevational view thereof;

1.3 is a right side elevation view thereof;

1.4 is a front elevation view thereof;

1.5 is a rear elevation view thereof;

1.6 is a top plan view thereof; and

1.7 is a bottom plan view thereof.

See application file for complete search history.

(56) **References Cited**

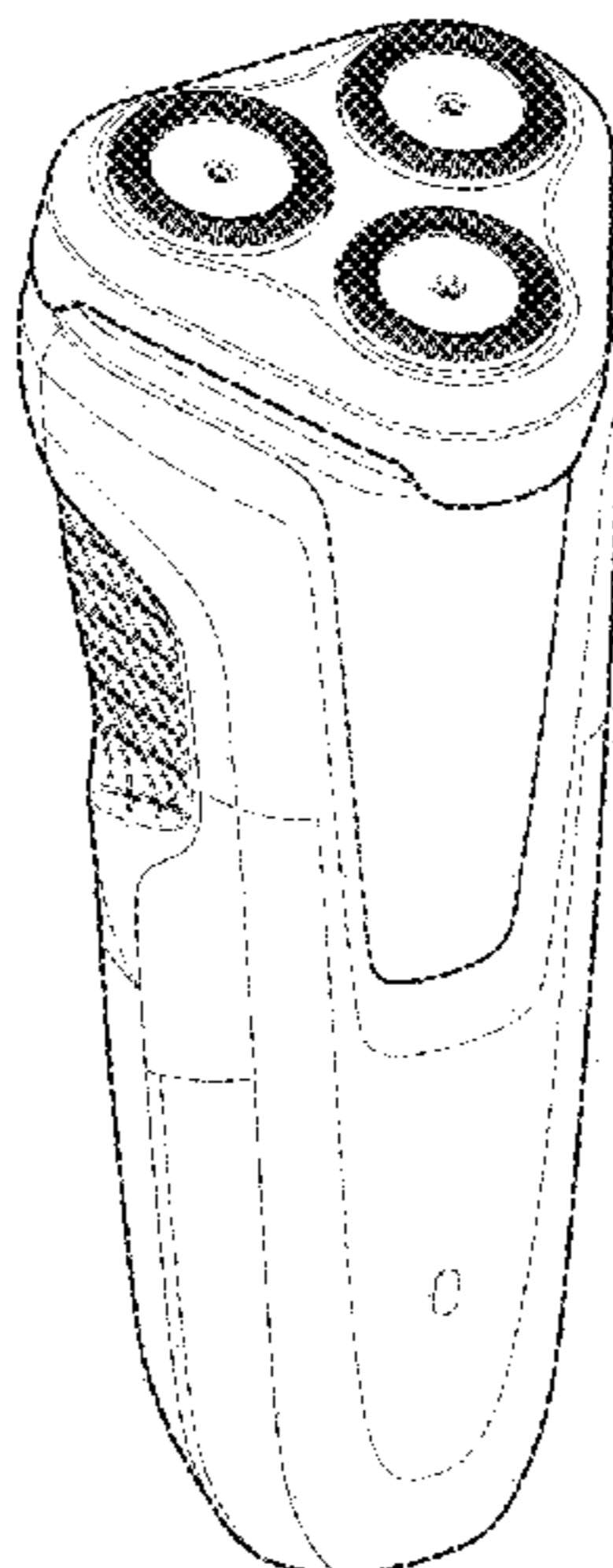
U.S. PATENT DOCUMENTS

D187,698 S * 4/1960 Ernest D28/53
D305,466 S * 1/1990 Satoh D28/49
D343,025 S * 1/1994 Sulik D28/49
D362,320 S * 9/1995 Izumi D28/50
D383,247 S * 9/1997 Schulz D28/50
D512,183 S * 11/2005 Nagano D28/51
D512,531 S * 12/2005 Khubani D28/51

1 Claim, 4 Drawing Sheets

The portion of the drawing shown in the color yellow is for the purpose of illustrating portions of the shaver and form no part of the claimed design.

(4 of 4 Drawing Sheet(s) Filed in Color)



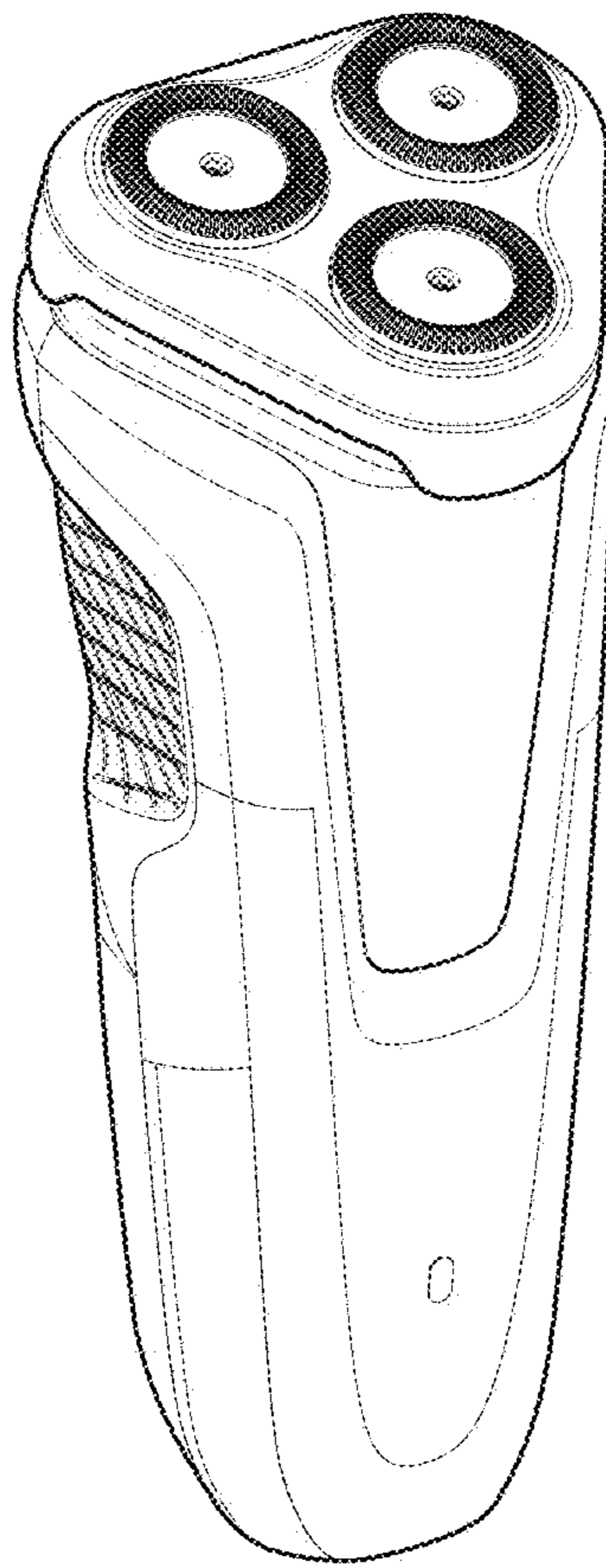
(56)

References Cited

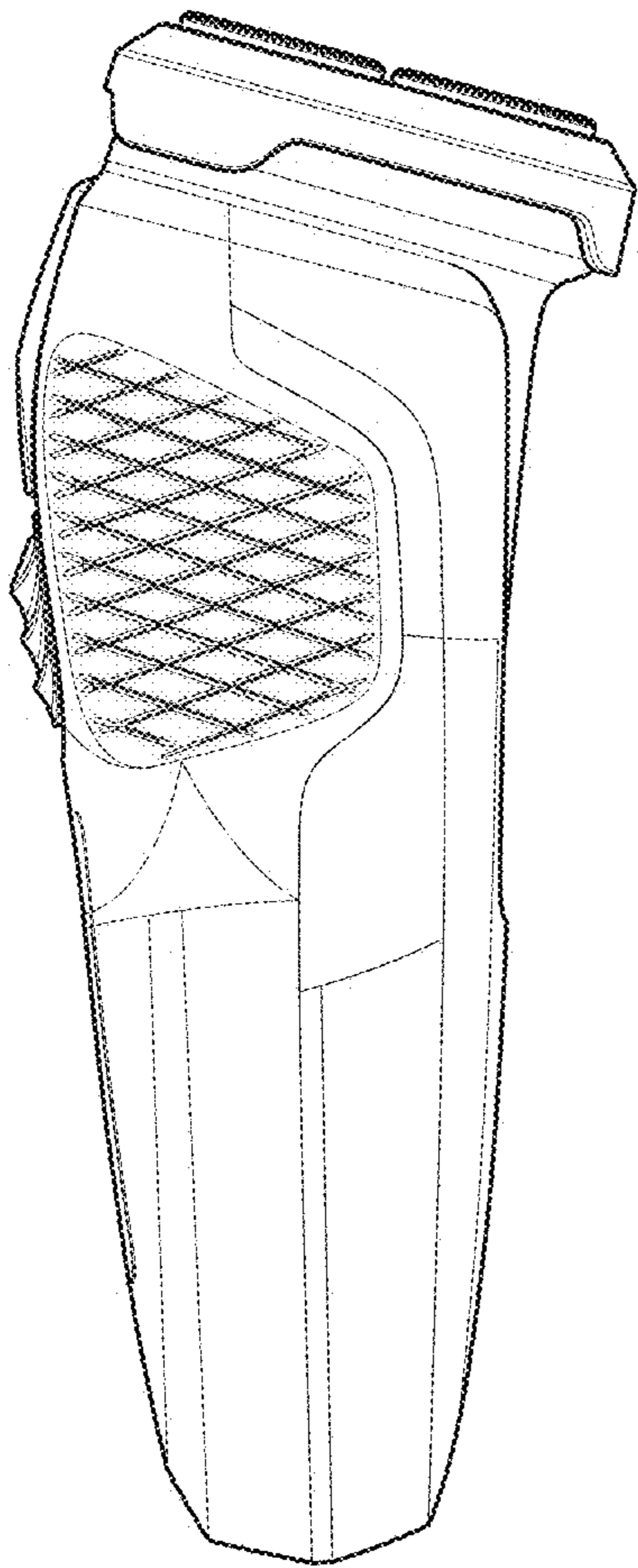
U.S. PATENT DOCUMENTS

D751,759 S * 3/2016 Aulwes D28/53
D757,364 S * 5/2016 Aulwes D28/53

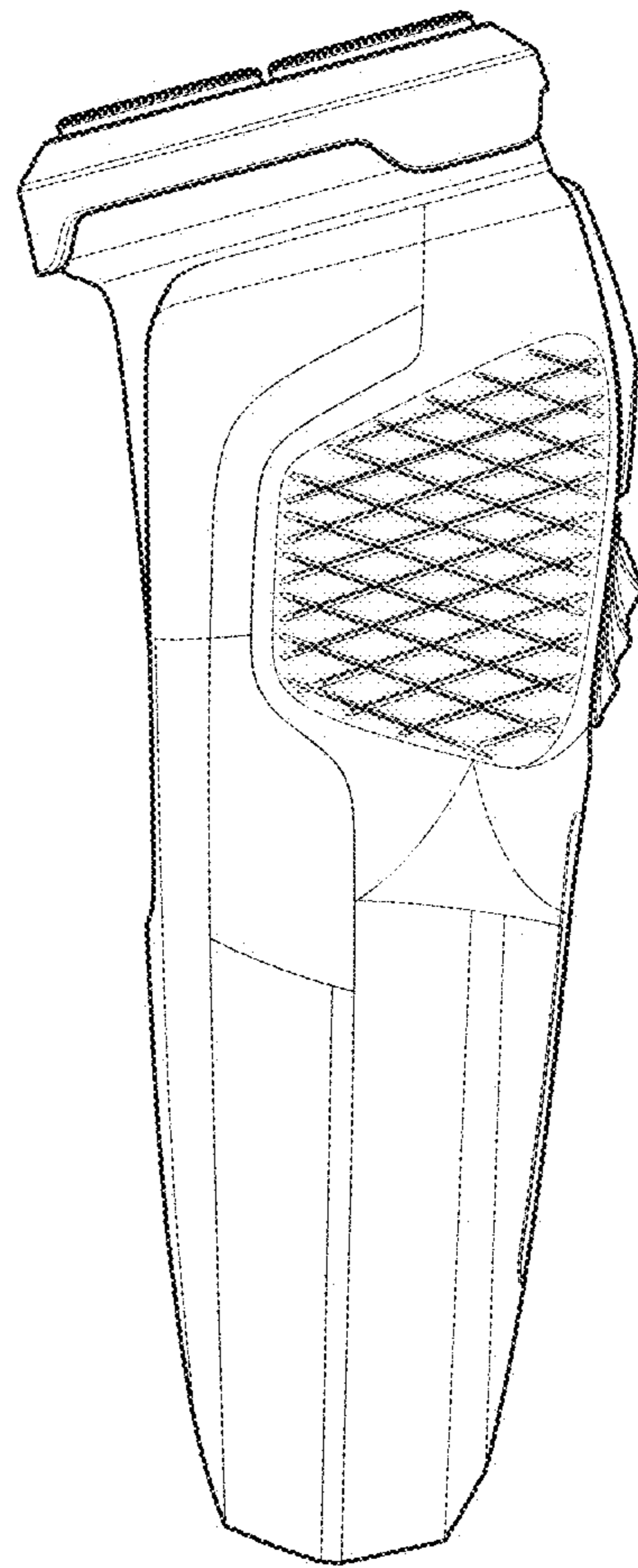
* cited by examiner



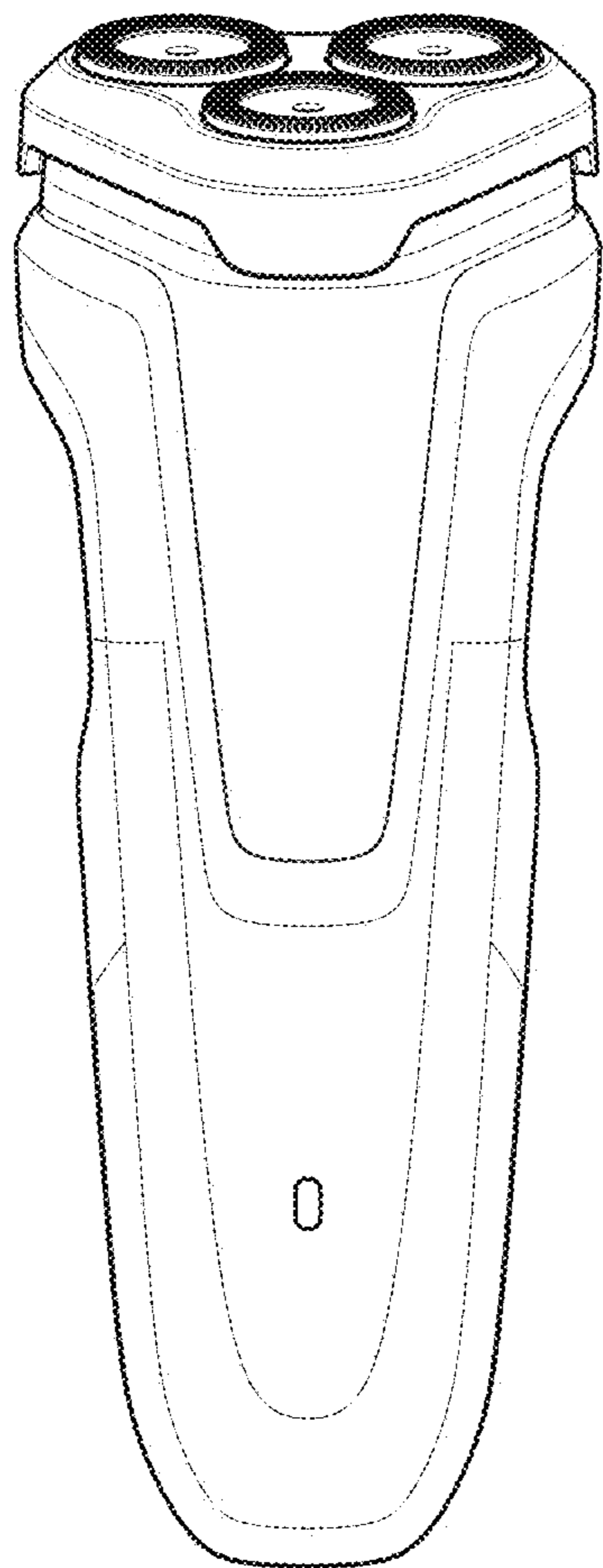
1.1



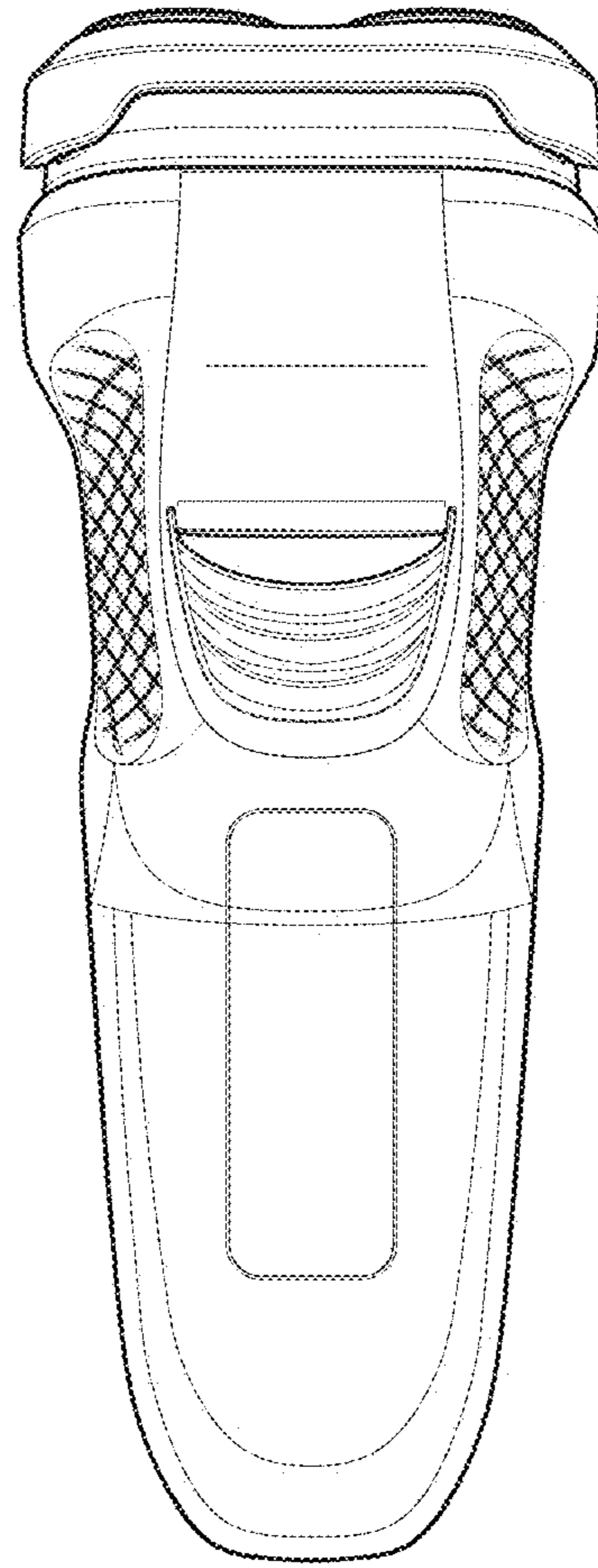
1.2



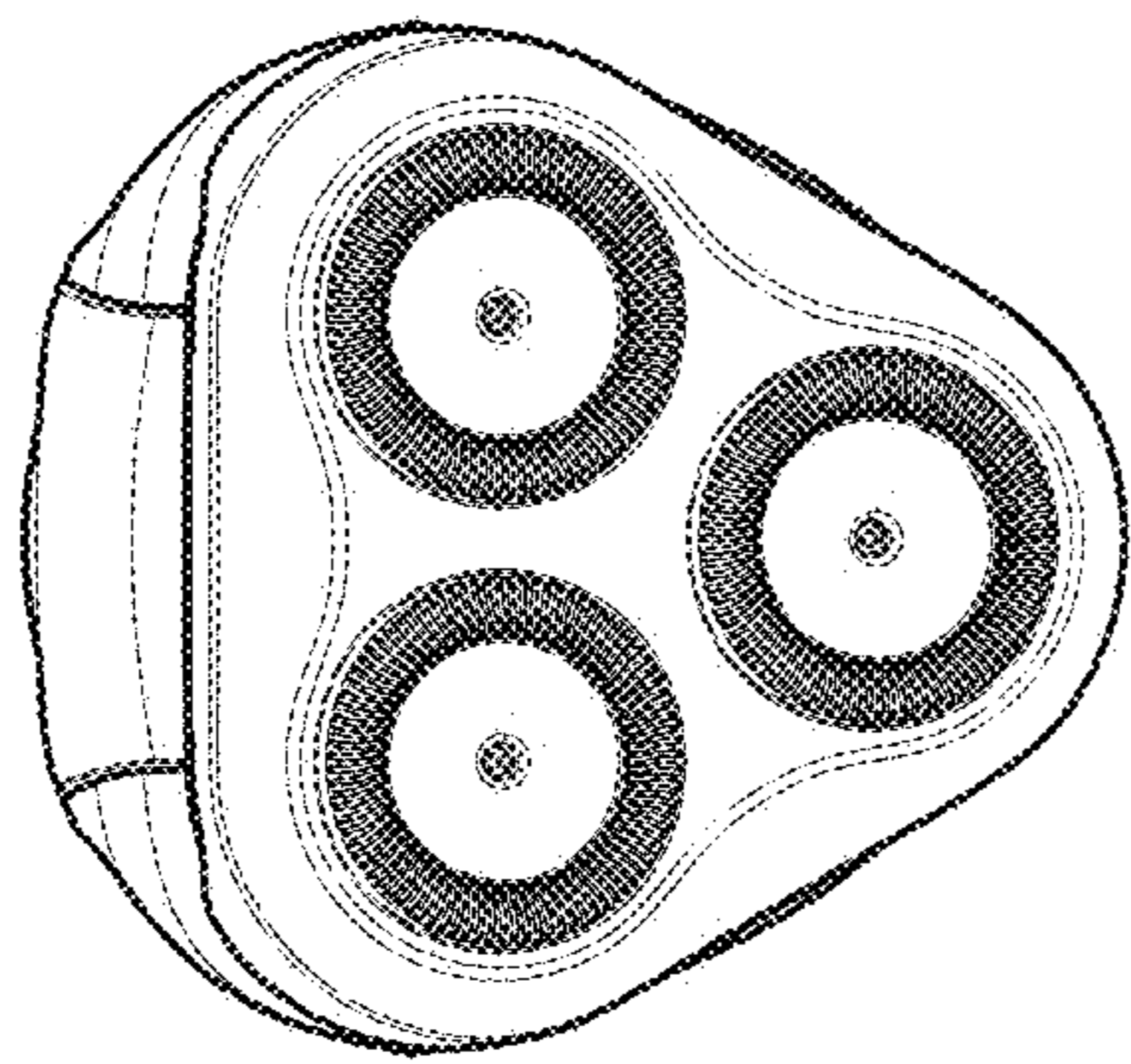
1.3



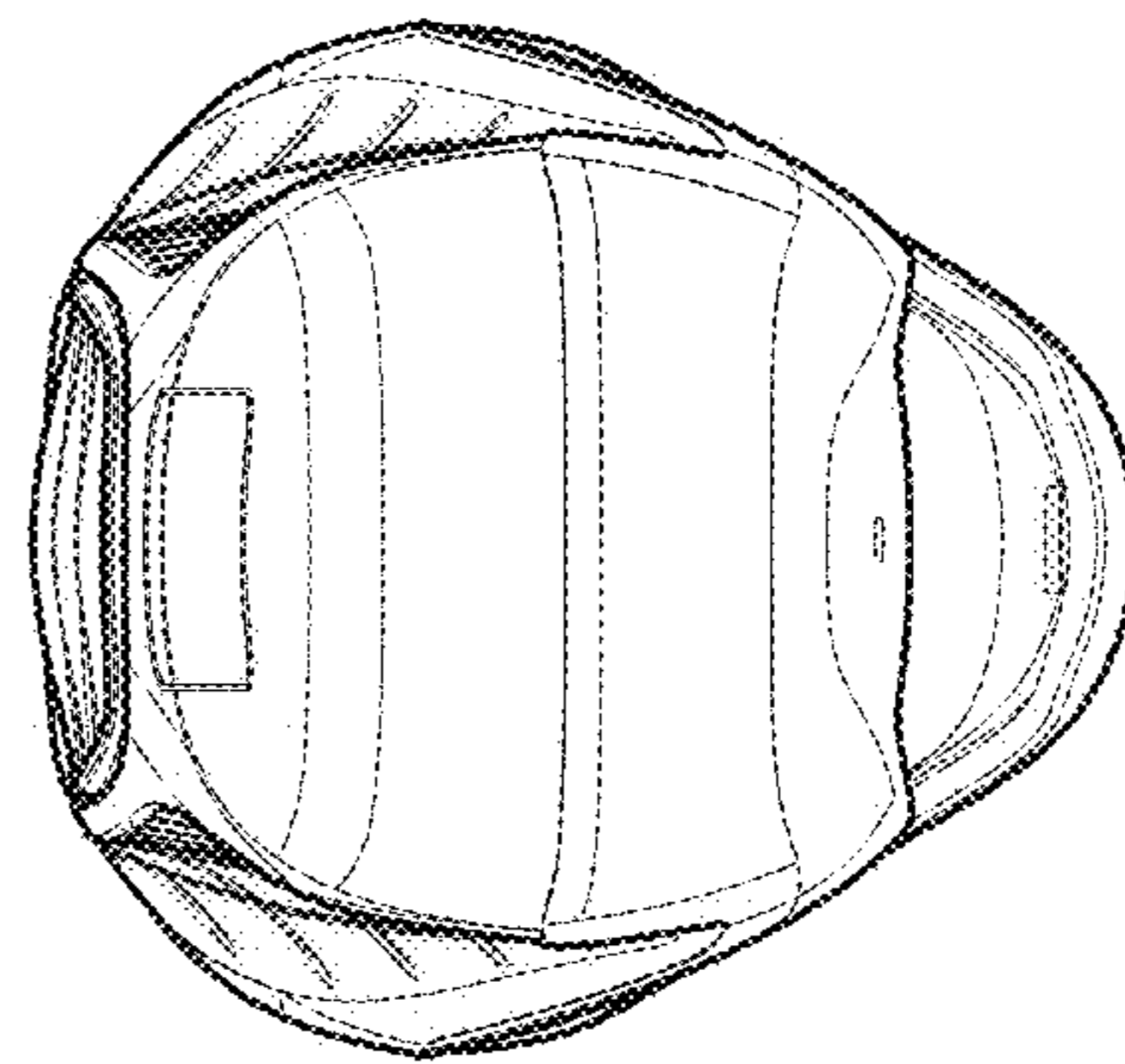
1.4



1.5



1.6



1.7