



US00D902485S

(12) **United States Design Patent** (10) **Patent No.:** **US D902,485 S**
Goeder et al. (45) **Date of Patent:** **** Nov. 17, 2020**

(54) **HANDLE FOR A SHAVING RAZOR**
(71) Applicant: **The Gillette Company LLC**, Boston, MA (US)
(72) Inventors: **Philipp Goeder**, Frankfurt (DE); **Christopher Ramm**, North Attleboro, MA (US); **Brian Patrick Watson**, Marshfield, MA (US); **Vanessa Christie**, Boston, MA (US)
(73) Assignee: **The Gillette Company LLC**, Boston, MA (US)
(**) Term: **15 Years**

D591,451 S 4/2009 Micinilio
D600,408 S 9/2009 Micinilio
D604,906 S 11/2009 Stowers
D616,607 S 5/2010 Ramm
D633,254 S 2/2011 Witkus
D649,712 S 11/2011 Pan
D652,990 S 1/2012 Strickland
D655,449 S 3/2012 Pan
D659,285 S 5/2012 Lukan
D659,286 S 5/2012 Lukan
D660,516 S 5/2012 Christie
D661,425 S 6/2012 Cataudella
D661,426 S 6/2012 Wain
D675,378 S 1/2013 Boulanger
8,448,339 B2 5/2013 Walker, Jr.
8,782,904 B2 7/2014 Wain
9,908,250 B2 3/2018 Hodgson

(Continued)

(21) Appl. No.: **29/729,134**
(22) Filed: **Mar. 24, 2020**

Primary Examiner — Jennifer Rivard

(74) *Attorney, Agent, or Firm* — Joanne N. Pappas; Kevin C. Johnson

Related U.S. Application Data

(62) Division of application No. 29/642,529, filed on Mar. 30, 2018, now Pat. No. Des. 882,873.
(51) **LOC (12) Cl.** **28-48**
(52) **U.S. Cl.**
USPC **D28/48**
(58) **Field of Classification Search**
USPC D28/46-48
CPC B26B 21/00-06; B26B 21/08-38; B26B 21/44-50; B26B 21/405-4056; B26B 21/52-528
See application file for complete search history.

(57) **CLAIM**

The ornamental design for a handle for a shaving razor, as shown and described.

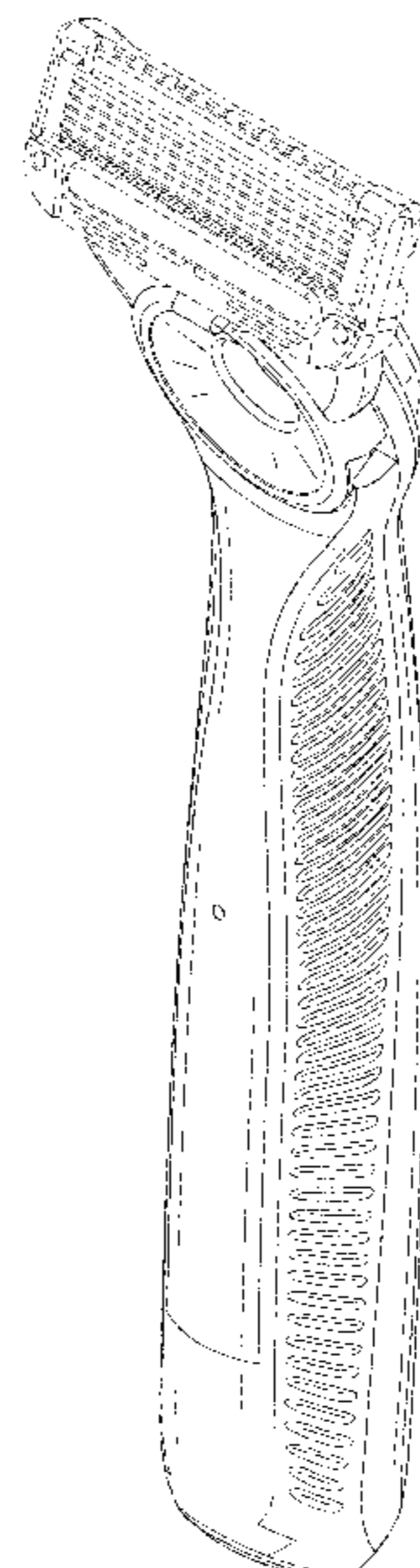
DESCRIPTION

FIG. 1 is a front perspective view of a design of a handle for a shaving razor of the present invention;
FIG. 2 is a front view thereof;
FIG. 3 is a back view thereof;
FIG. 4 is a right side view thereof;
FIG. 5 is a left side view thereof;
FIG. 6 is a top view thereof;
FIG. 7 is a bottom view thereof; and,
FIG. 8 is a rear perspective view thereof.
The broken line razor cartridge illustrates the environment of the design. The remaining broken lines illustrate a portion of the handle for a shaving razor. None of the broken line disclosure forms part of the claimed design.

(56) **References Cited**
U.S. PATENT DOCUMENTS

6,868,610 B2 3/2005 Brandt
6,928,738 B2 8/2005 Segrea
D568,534 S 5/2008 Micinilio
D568,539 S 5/2008 Micinilio

1 Claim, 6 Drawing Sheets



(56)

References Cited

U.S. PATENT DOCUMENTS

9,912,087	B2	3/2018	Broemse	
D818,196	S	5/2018	Szymanski	
D822,901	S	7/2018	Shin	
D828,625	S	9/2018	Forti	
D839,477	S *	1/2019	Hodgson	D28/46
D842,543	S	3/2019	Ramm	
D882,873	S *	4/2020	Goeder	D28/46
D887,642	S *	6/2020	Hodgson	D28/47
2017/0374710	A1	12/2017	Heubach	
2018/0159252	A1	6/2018	Broemse	
2018/0222070	A1	8/2018	Burrowes	
2018/0326605	A1	11/2018	Khubani	

* cited by examiner

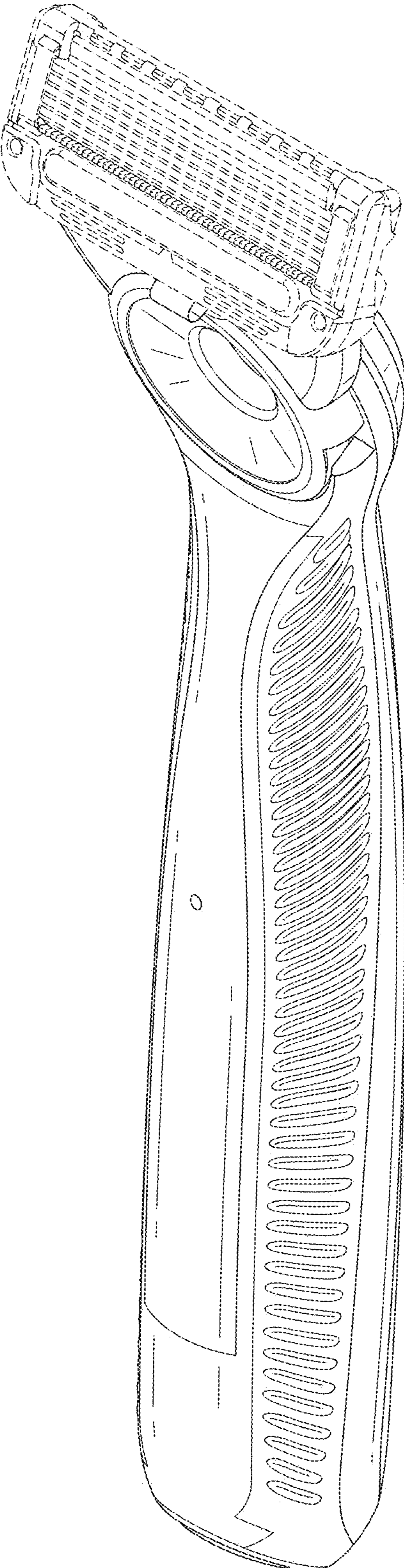


FIG. 1

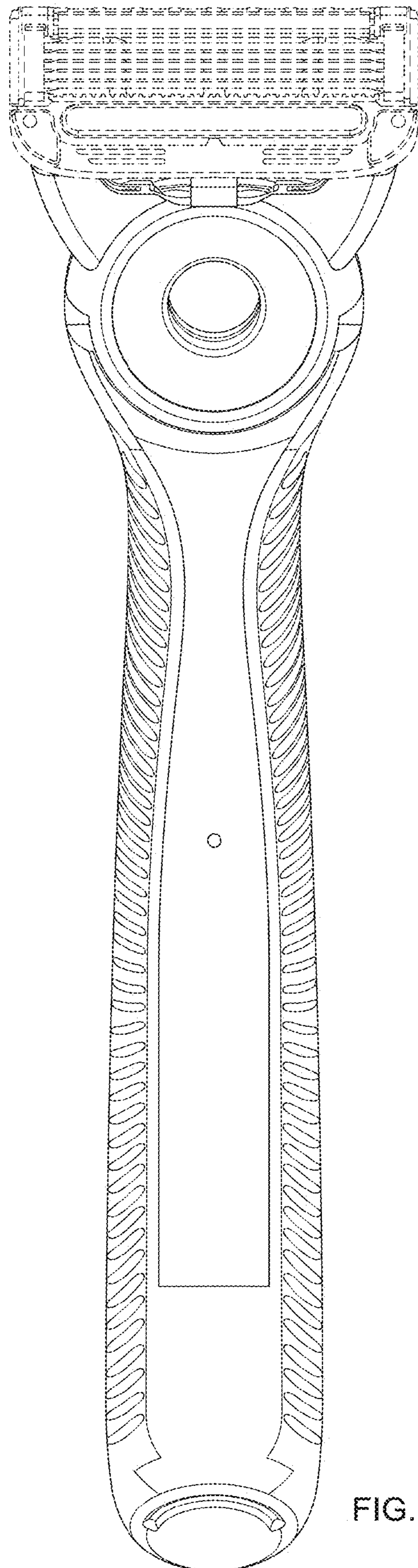


FIG. 2

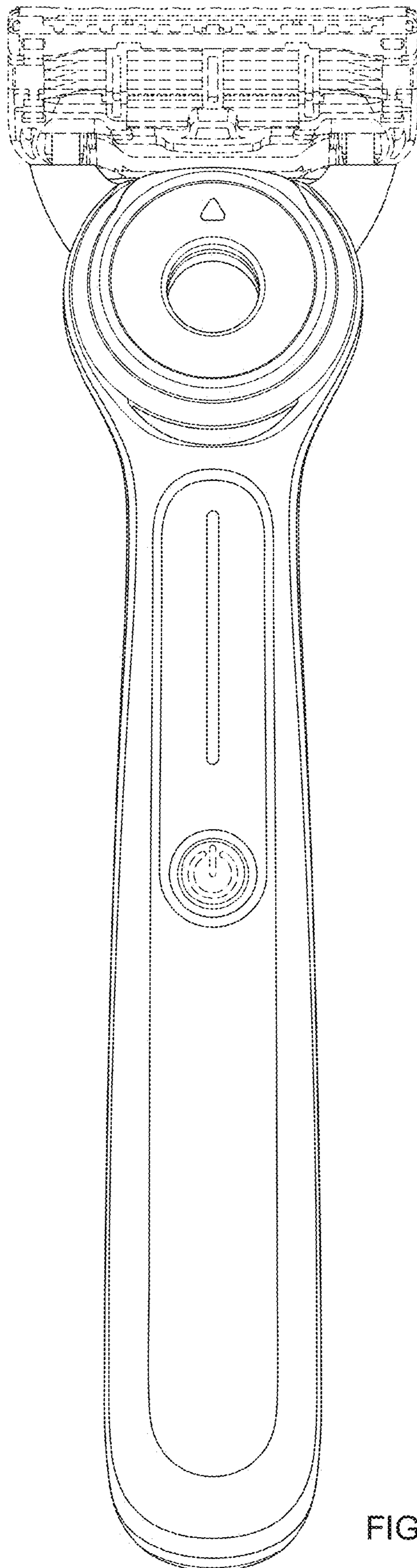


FIG. 3

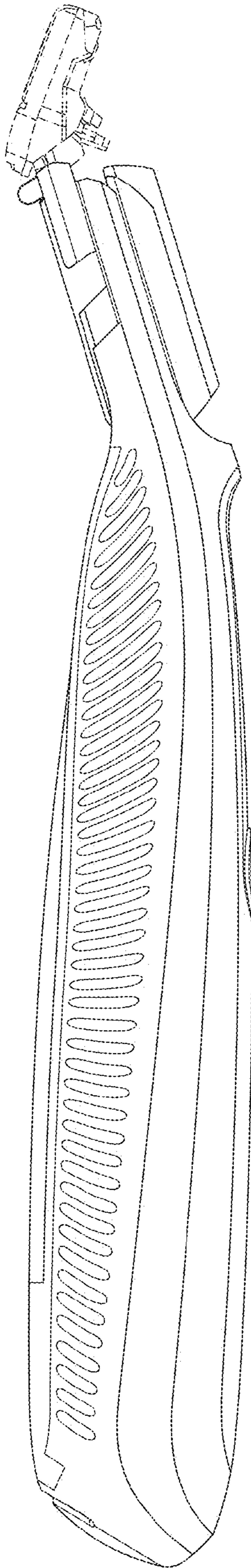


FIG. 4

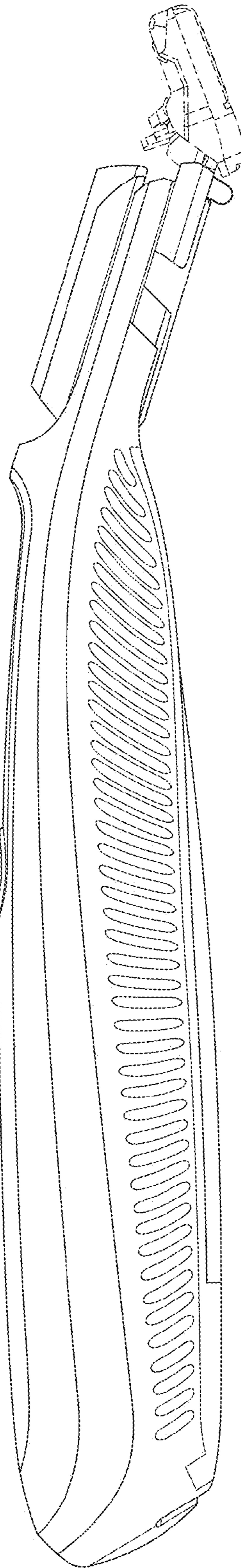


FIG. 5

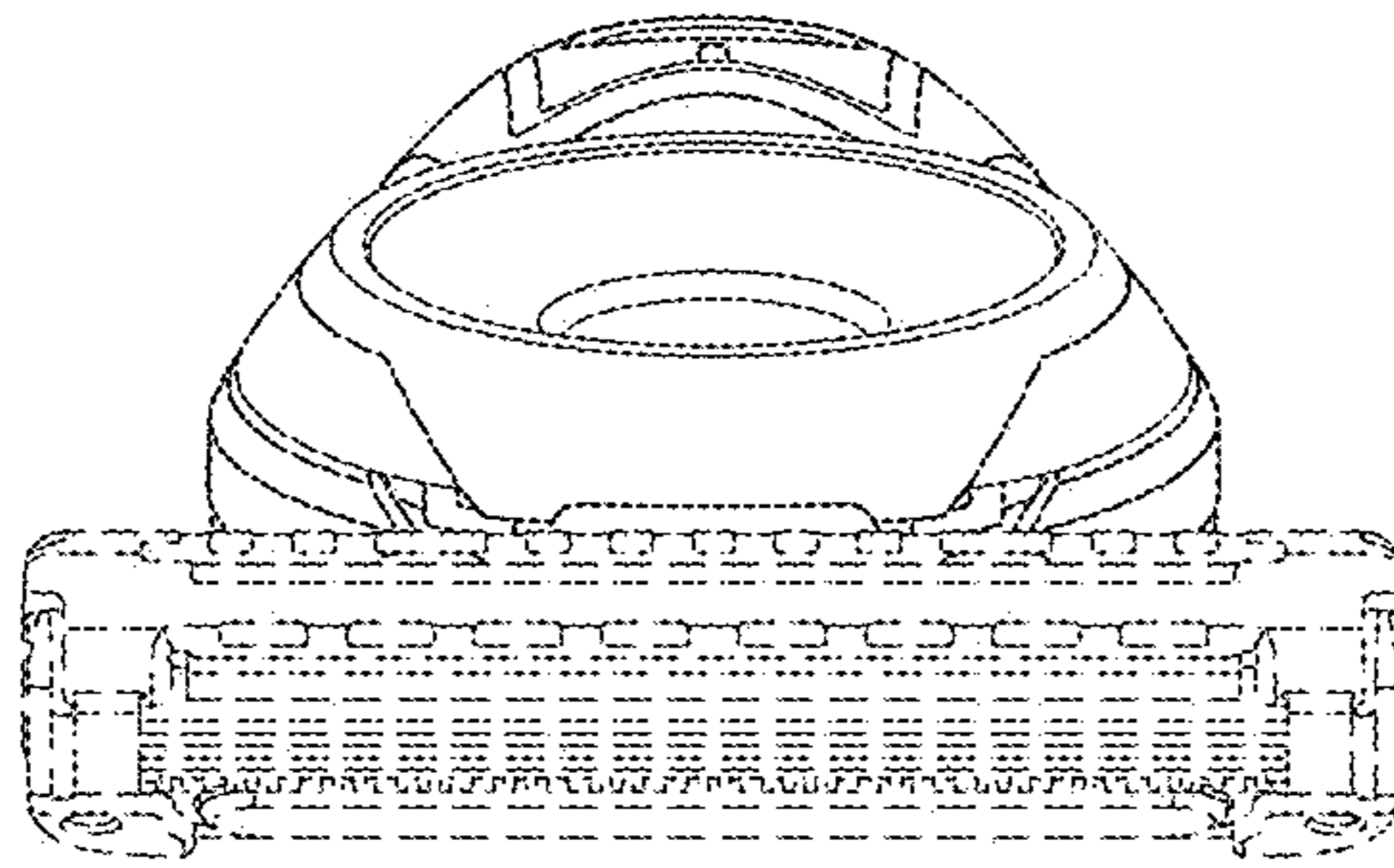


FIG. 6

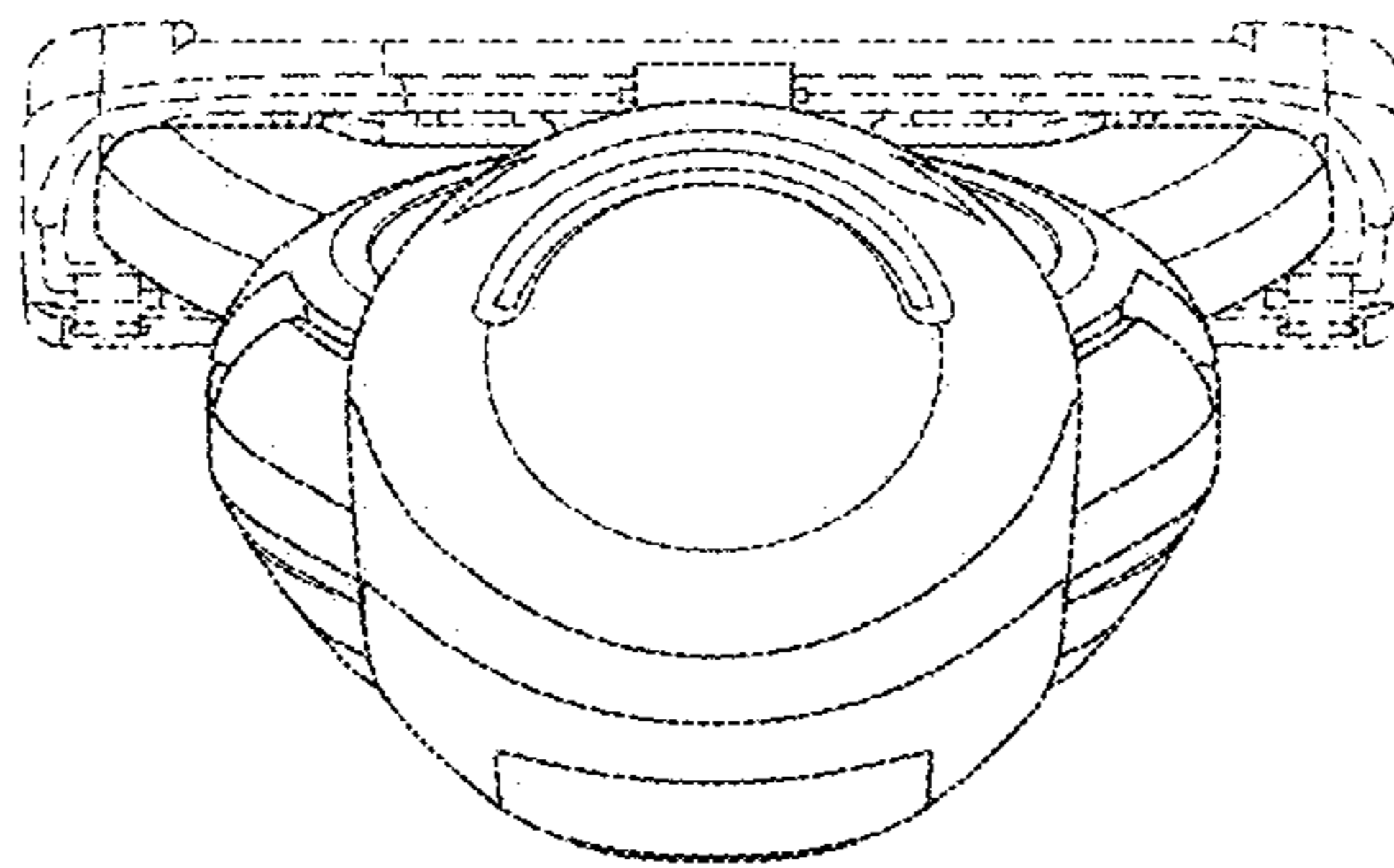


FIG. 7

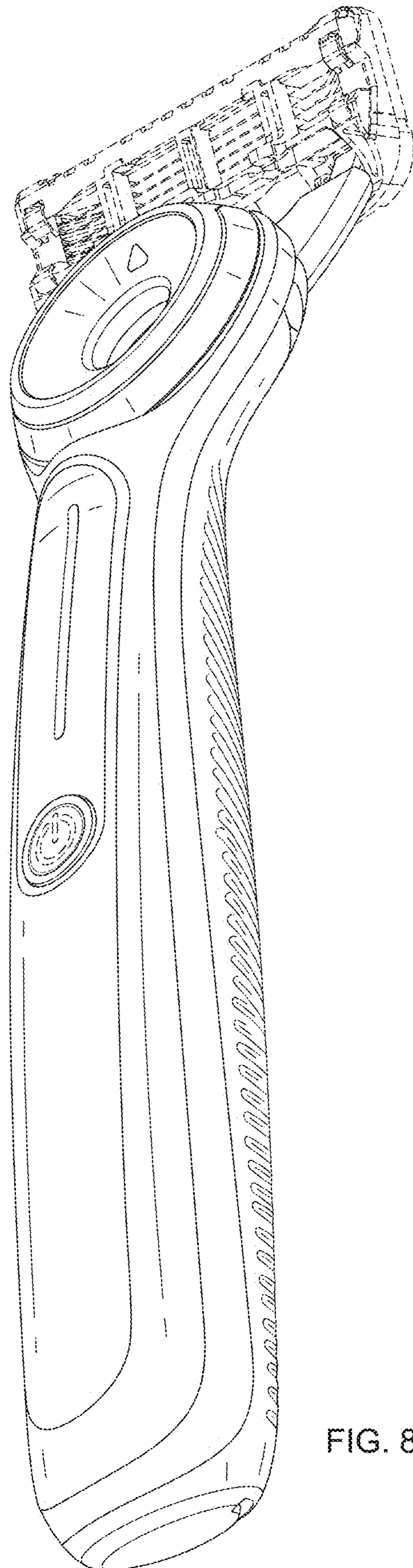


FIG. 8