



US00D902484S

(12) **United States Design Patent**  
**Ou**

(10) **Patent No.:** **US D902,484 S**

(45) **Date of Patent:** **\*\* Nov. 17, 2020**

(54) **COMBINED HAIR STRAIGHTENER AND CURLER**

(71) Applicant: **SHENZHEN QIANHAI PATUOXUN NETWORK AND TECHNOLOGY CO., LTD**, Shenzhen (CN)

(72) Inventor: **Shiwei Ou**, Shenzhen (CN)

(73) Assignee: **SHENZHEN QIANHAI PATUOXUN NETWORK AND TECHNOLOGY CO., LTD**, Shenzhen (CN)

(\*\*) Term: **15 Years**

(21) Appl. No.: **29/740,430**

(22) Filed: **Jul. 3, 2020**

(51) **LOC (12) Cl.** ..... **28-03**

(52) **U.S. Cl.**  
USPC ..... **D28/35**

(58) **Field of Classification Search**  
USPC ..... D28/35  
CPC ..... A45D 1/00; A45D 1/04; A45D 1/06-16;  
A45D 2001/008; A45D 2001/045; A45D  
2/001; A45D 2/36  
See application file for complete search history.

(56) **References Cited**

**U.S. PATENT DOCUMENTS**

D672,089 S 12/2012 Julemont  
D729,450 S \* 5/2015 Van Maanen ..... D28/35

D833,676 S 11/2018 Lee et al.  
10,186,822 B2 \* 1/2019 Hogan ..... A45D 20/30  
D850,002 S \* 5/2019 Bates ..... D28/35  
10,327,528 B2 \* 6/2019 Cowdry ..... A45D 2/001  
D865,287 S \* 10/2019 Feng ..... D28/35  
D876,014 S \* 2/2020 Lin ..... D28/35  
D876,015 S \* 2/2020 Lin ..... D28/35  
10,588,391 B2 \* 3/2020 Palero ..... A45D 1/04  
D884,272 S \* 5/2020 Liao ..... D28/35  
2018/0055181 A1 \* 3/2018 Spark ..... A45D 20/50

\* cited by examiner

*Primary Examiner* — Jennifer Rivard

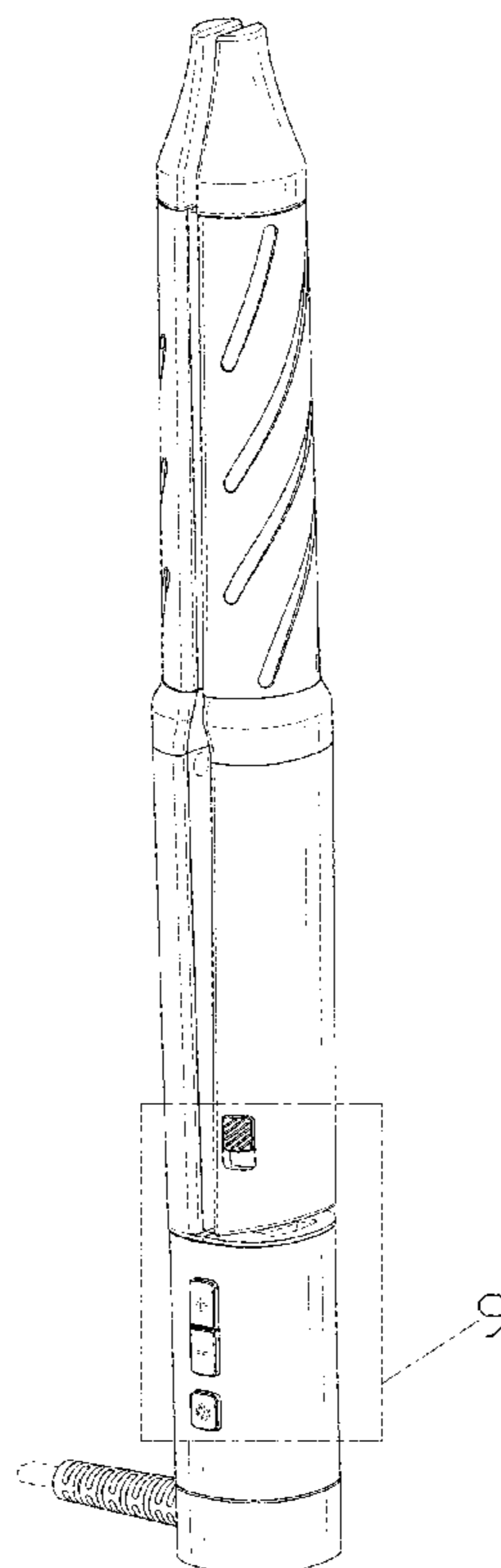
(57) **CLAIM**

The ornamental design for a combined hair straightener and curler, as shown and described.

**DESCRIPTION**

FIG. 1 is a perspective view of a combined hair straightener and curler showing my new design;  
FIG. 2 is another perspective view thereof;  
FIG. 3 is a front elevational view thereof;  
FIG. 4 is a rear elevational view thereof;  
FIG. 5 is a left side elevational view thereof;  
FIG. 6 is a right side elevational view thereof;  
FIG. 7 is a top plan view thereof;  
FIG. 8 is a bottom plan view thereof; and,  
FIG. 9 is an enlarged view of portion 9 shown in FIG. 1.  
The broken lines in the drawings depict portions of the combined hair straightener and curler that form no part of the claimed design.

**1 Claim, 9 Drawing Sheets**



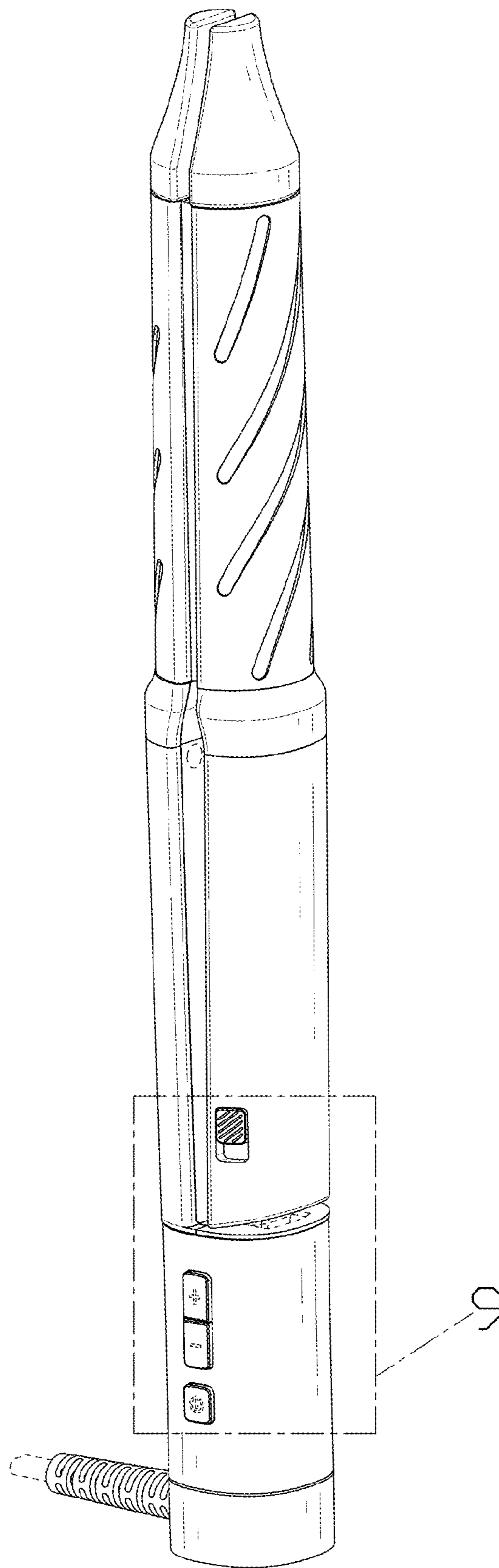


FIG. 1

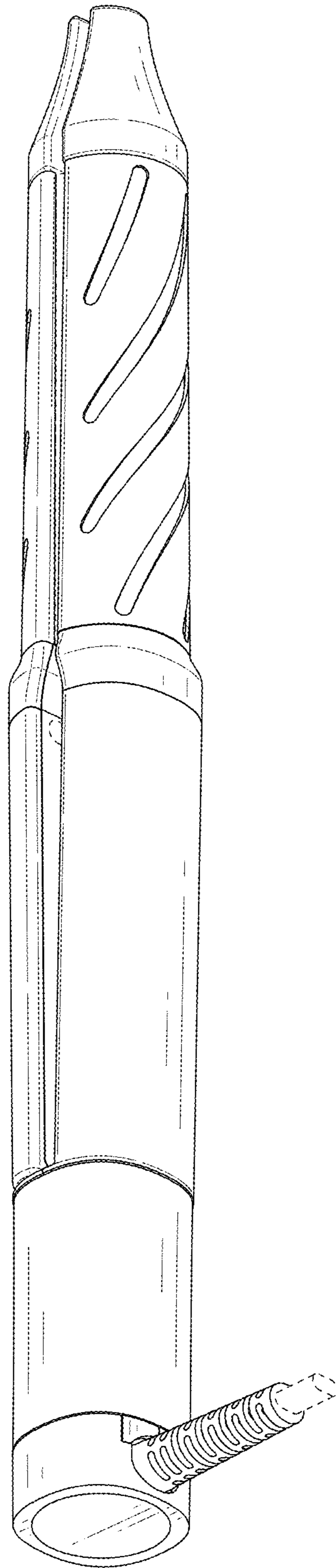


FIG. 2

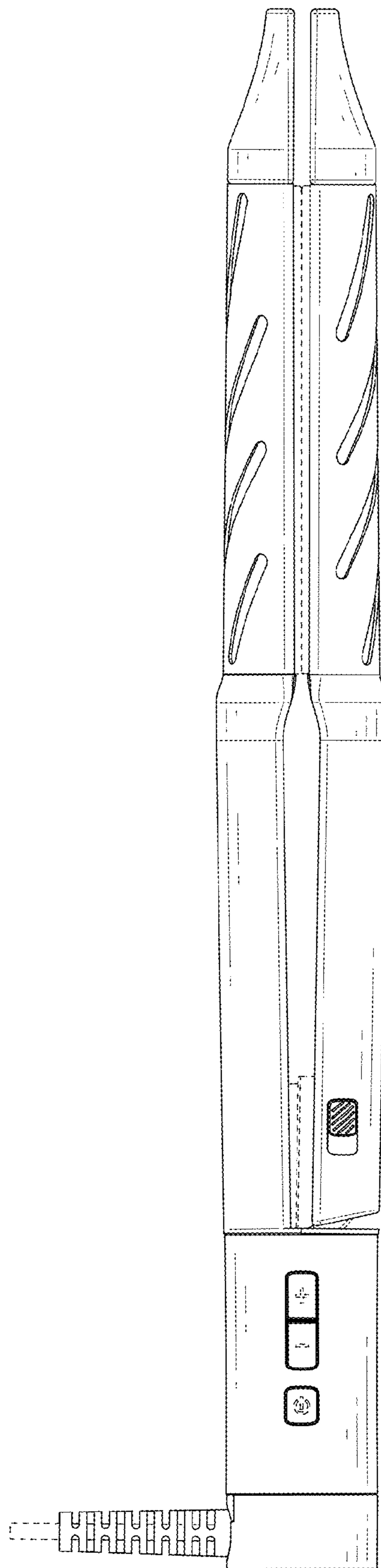


FIG. 3

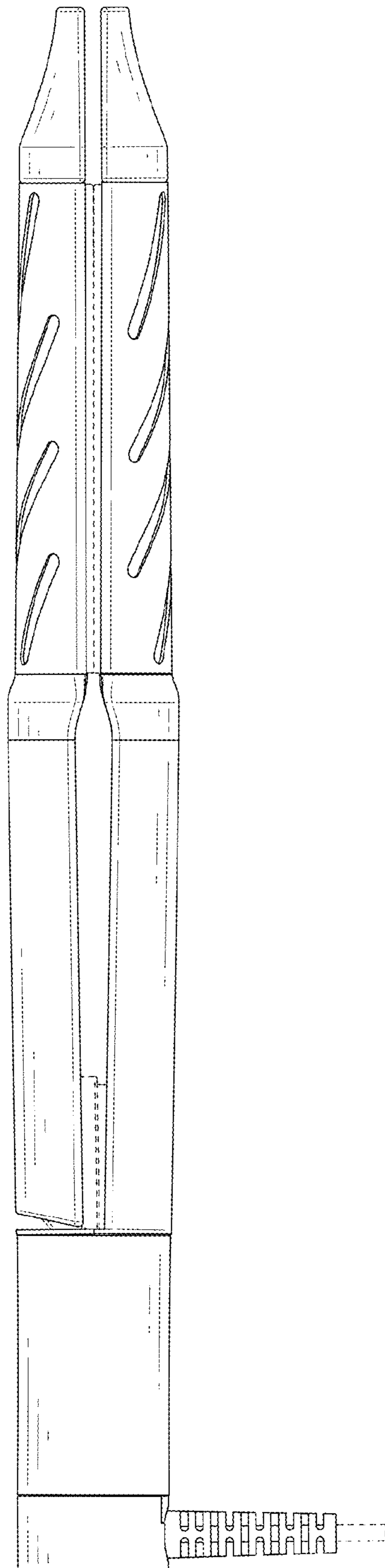


FIG. 4

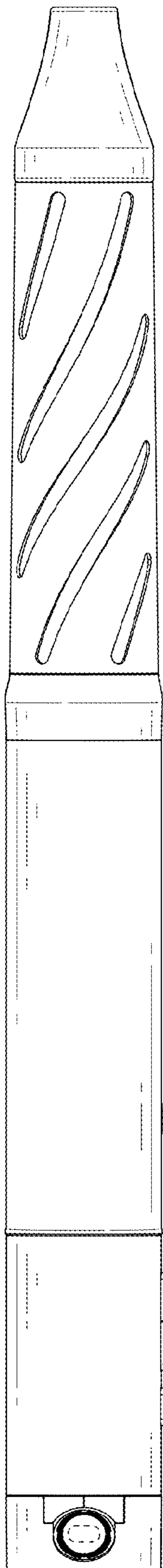


FIG. 5

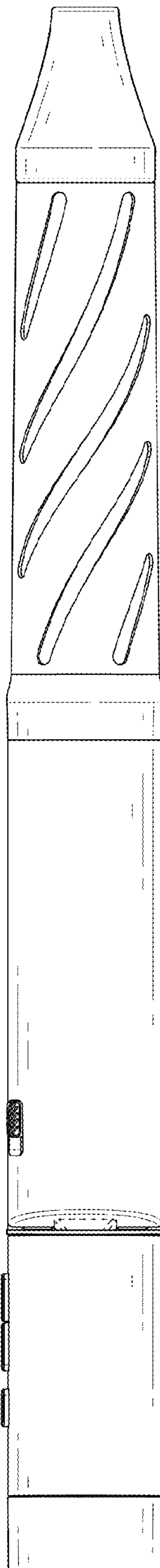


FIG. 6

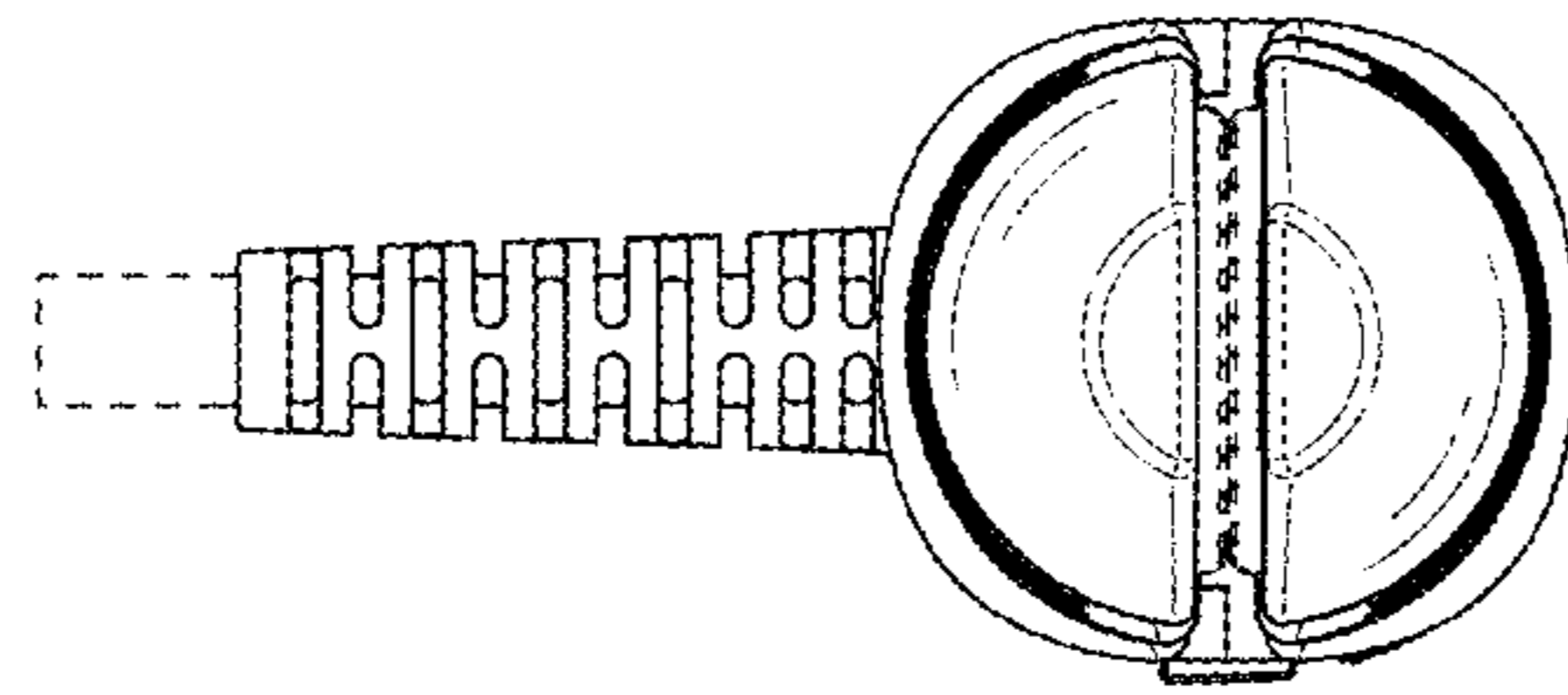


FIG. 7



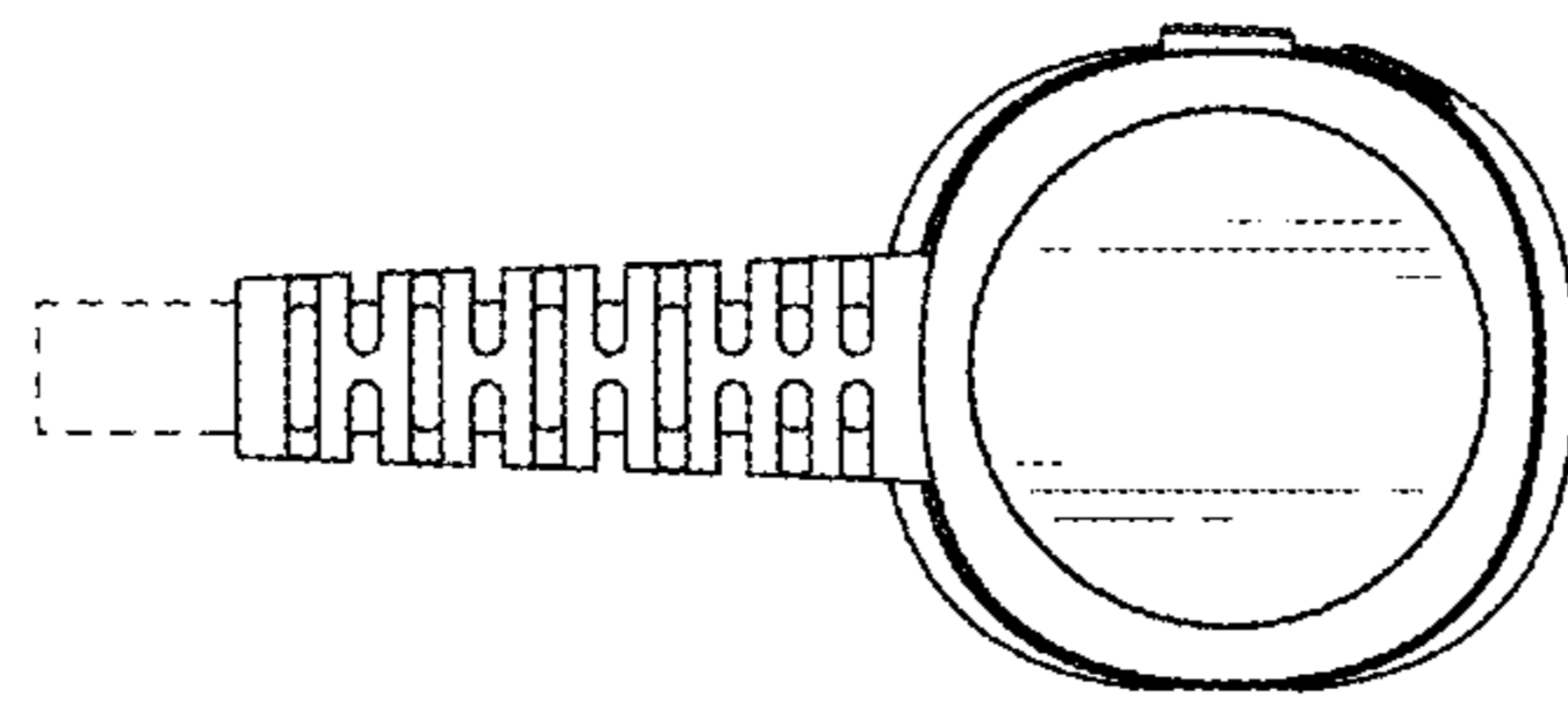


FIG. 8

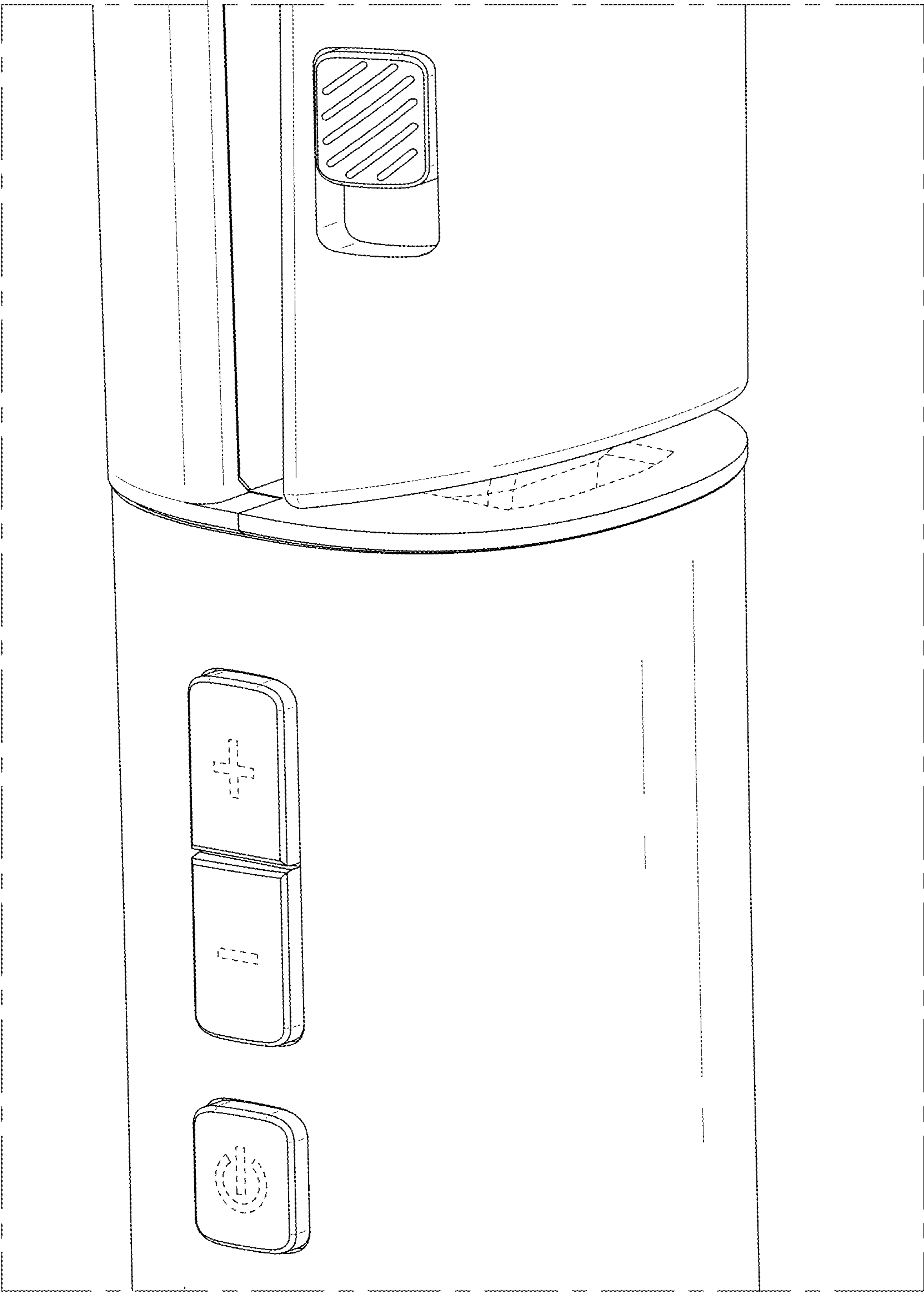


FIG. 9