



US00D902482S

(12) **United States Design Patent** (10) **Patent No.:** **US D902,482 S**
Koenemann et al. (45) **Date of Patent:** **** Nov. 17, 2020**

(54) **HAIR STYLING BRUSH**

(71) Applicants: **Gary Koenemann**, El Paso, TX (US);
Aakriti Chandra, Jersey City, NJ (US);
Mathieu Zastawny, Jersey City, NJ
(US)

(72) Inventors: **Gary Koenemann**, El Paso, TX (US);
Aakriti Chandra, Jersey City, NJ (US);
Mathieu Zastawny, Jersey City, NJ
(US)

(73) Assignee: **Helen of Troy Limited**, St. Michael
(BB)

(**) Term: **15 Years**

(21) Appl. No.: **29/702,388**

(22) Filed: **Aug. 19, 2019**

(51) **LOC (12) Cl.** **28-03**

(52) **U.S. Cl.**
USPC **D28/35; D4/100**

(58) **Field of Classification Search**
USPC D4/100, 102, 127, 128, 130, 132, 133,
D4/134, 135, 136, 137, 138, 199;
D28/10, 13, 25, 26, 28, 35
CPC A45D 20/00; A45D 20/08; A45D 20/50;
A45D 20/52

See application file for complete search history.

(56) **References Cited**

U.S. PATENT DOCUMENTS

D263,001 S *	2/1982	Wistrand	D28/13
D276,941 S *	12/1984	Stansbury, Jr.	D28/13
D341,904 S *	11/1993	Smal	D28/15
D471,718 S *	3/2003	Park	D4/133
D472,052 S *	3/2003	Park	D4/119
D537,566 S *	2/2007	Kondo	D28/13
D600,403 S *	9/2009	Leung	D28/13
D846,888 S *	4/2019	Rosenzweig	D4/136

D879,374 S *	3/2020	Liao	D28/13
D880,061 S *	3/2020	Liao	D28/15
D889,921 S *	7/2020	Lei	D8/29.1
D891,887 S *	8/2020	Lei	D8/29.1
2015/0135455 A1 *	5/2015	Reusche	A46B 9/023 15/160

FOREIGN PATENT DOCUMENTS

EM	003419027-0001	*	11/2016
EM	007732748-0002	*	3/2020
GB	6078213	*	12/2019

(Continued)

OTHER PUBLICATIONS

Hair Styling tool Dryer Curler Electric Ions rotating Hot Brush by happierplus [on-line]. [Original publication date unknown.] [Retrieved from the Internet Jul. 16, 2020.] (Year: 2020).*

(Continued)

Primary Examiner — Karen E Eldridge Powers

(74) *Attorney, Agent, or Firm* — Rankin, Hill & Clark
LLP

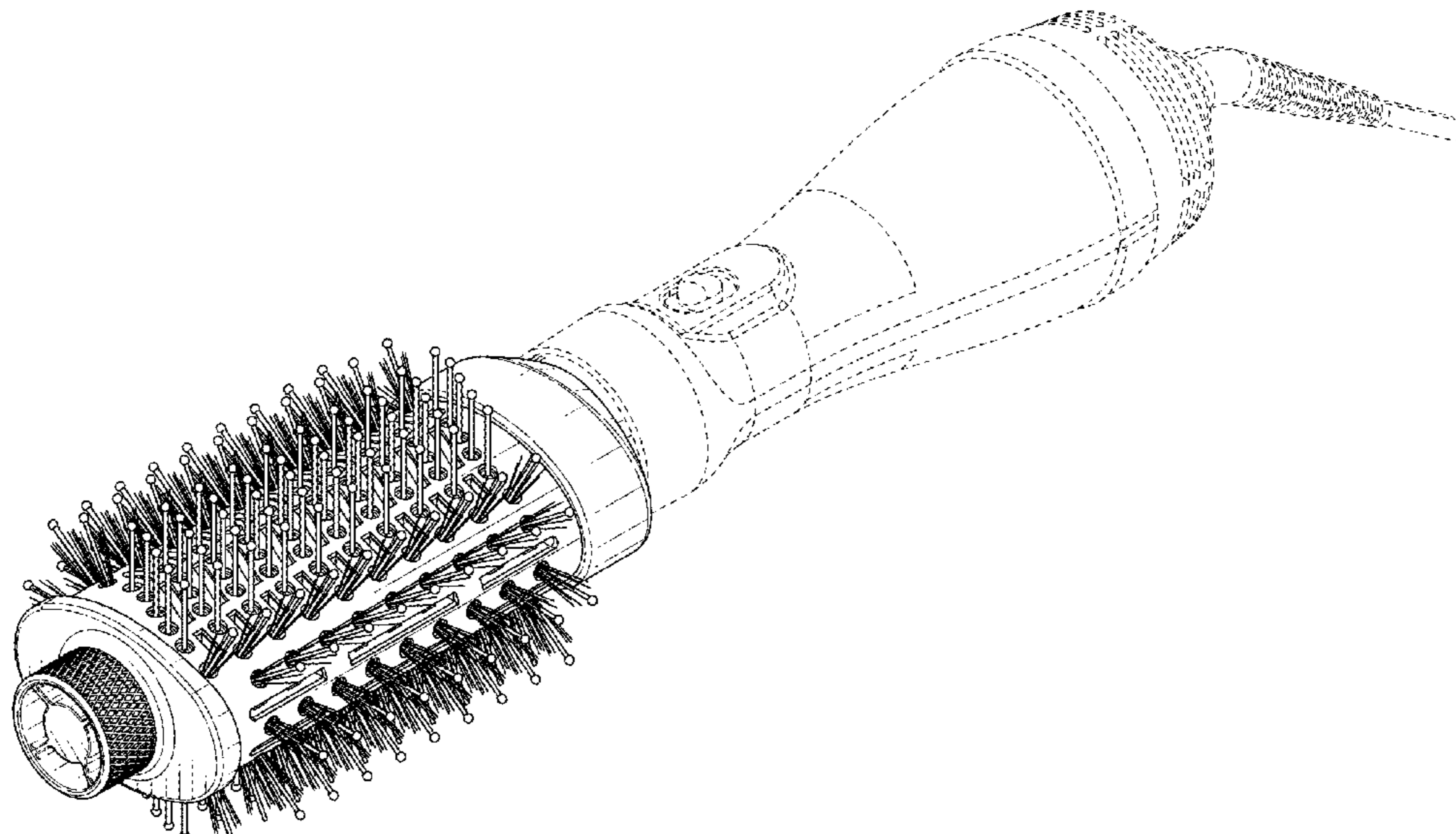
(57) **CLAIM**

The ornamental design for a hair styling brush, as shown, and described.

DESCRIPTION

FIG. 1 is a top, front and left side perspective view of a hair styling brush;
FIG. 2 is a top plan view thereof;
FIG. 3 is a bottom plan view thereof;
FIG. 4 is a right side elevation view thereof;
FIG. 5 is a left side elevation view thereof;
FIG. 6 is a front elevation view thereof; and,
FIG. 7 is a rear elevation view thereof.
The broken lines depict portions of the hair styling brush that form no part of the claimed design.

1 Claim, 4 Drawing Sheets



(56)

References Cited

FOREIGN PATENT DOCUMENTS

GB 6080126 * 1/2020

OTHER PUBLICATIONS

Mandi Hot Selling 2 in 1 1000w Hot Hair Hair Brush Hair Dryer Brush . . . [on-line]. [Original publication date unknown.] [Retrieved from the Internet Jul. 16, 2020.] URL: >https://www.alibaba.com/product-detail/Mandi-hot-selling-2-in-1_62482440739.html?spm=a2700.7724857.normalList.31.55ee37b2jk6EzR< (Year: 2020).*

Meraif electric hair curling brush . . . [on-line]. [Original publication date unknown.] [Retrieved from the Internet Jun. 13, 2020.] URL: > <http://www.wickonsmt.com/sale-11488235-meraif-hot-sale-2-in-1-hair-straightener-curling-iron-brush-rotating-electric-ionic-hair-brush.html>< (Year: 2020).*

One Step Hair Dryer and Styler Volumizer . . . By PrettyQueen [on-line]. [Original publication date unknown.] [Retrieved from the Internet Jun. 13, 2020.] (Year: 2020).*

Revlon One-Step Hair Dryer and Volumizer Brush, [on-line] review by Jessica Flores. [Published Apr. 16, 2019.] [Retrieved from the Internet Jun. 13, 2020.] URL: ><https://findingfloro.com/revlon-one-step-hair-dryer-brush/>< (Year: 2019).*

Yinkor 4 in 1 One Step Hair Dryer & Volumizer . . . [on-line]. [Original publication date unknown.] [Retrieved from the Internet Jul. 16, 2020.] (Year: 2020).*

* cited by examiner

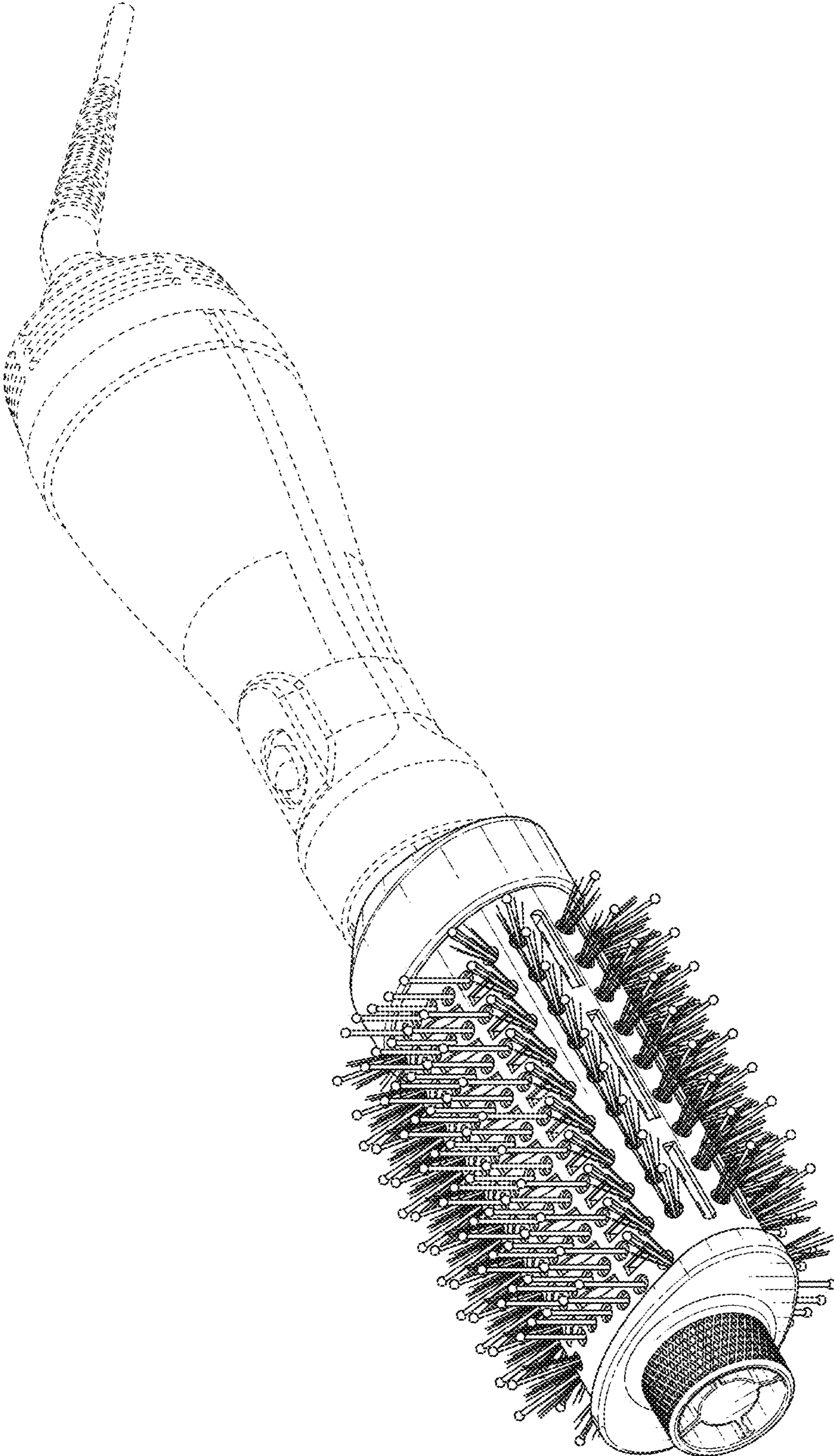


FIG. 1

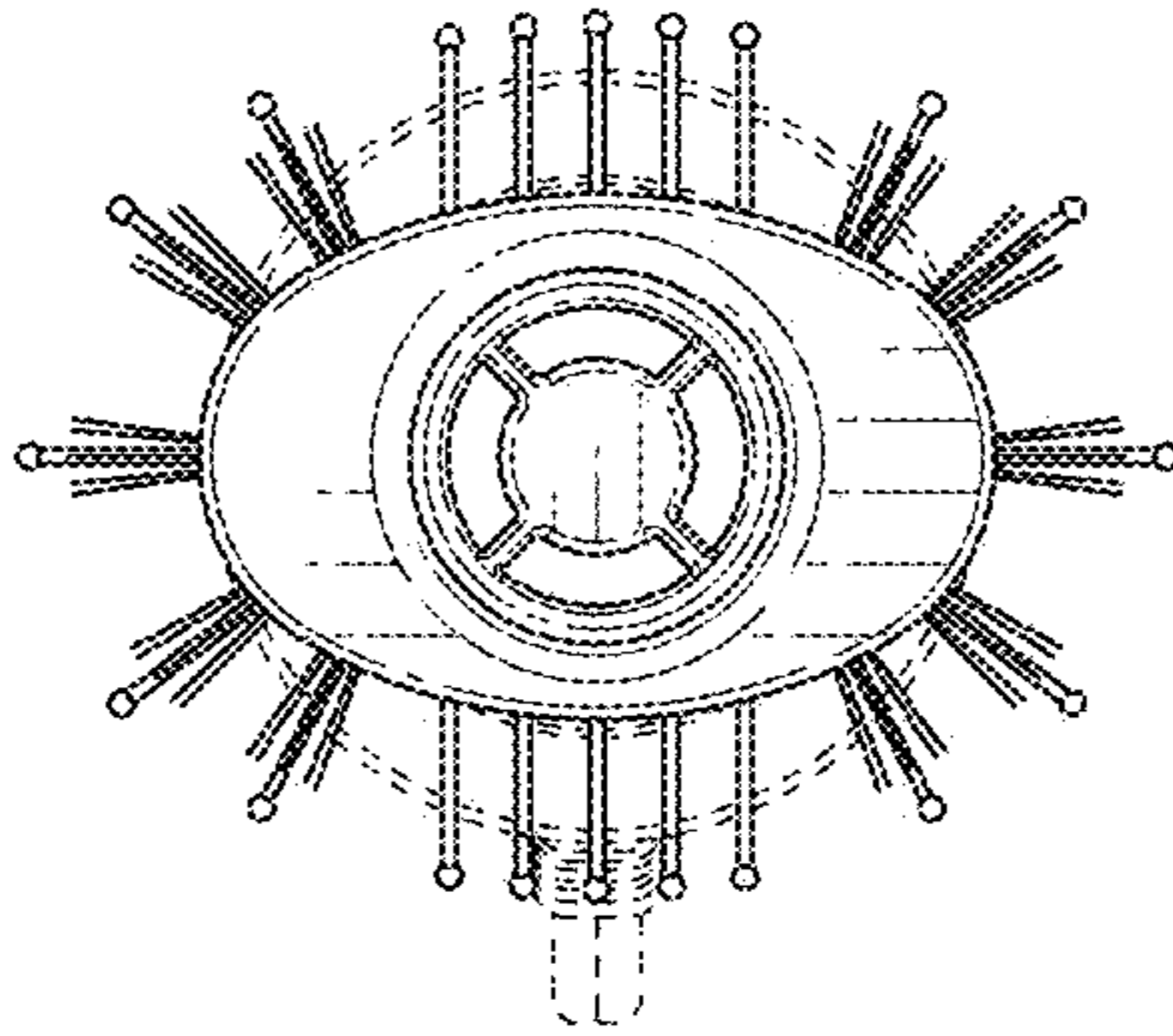


FIG. 2

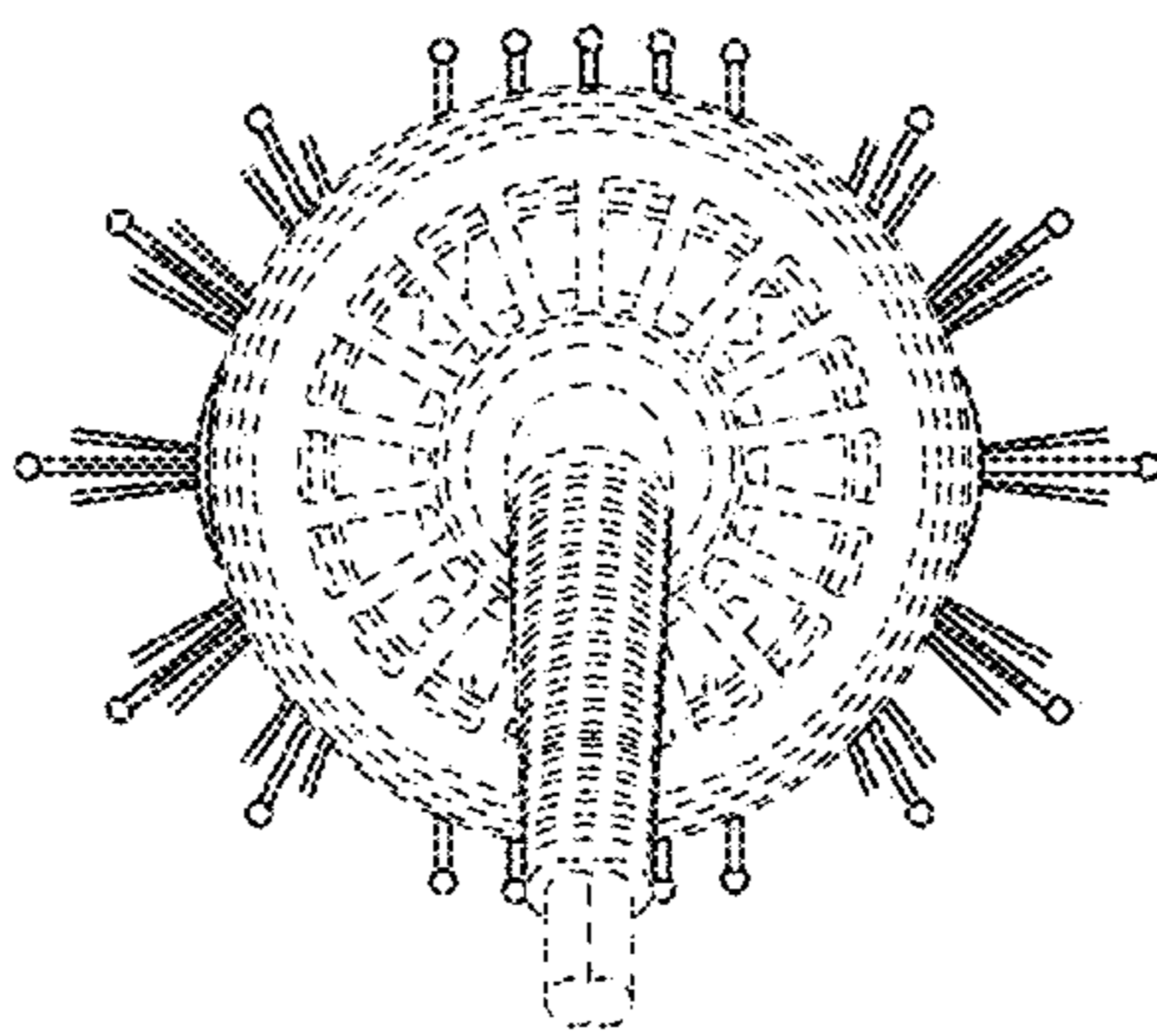


FIG. 3

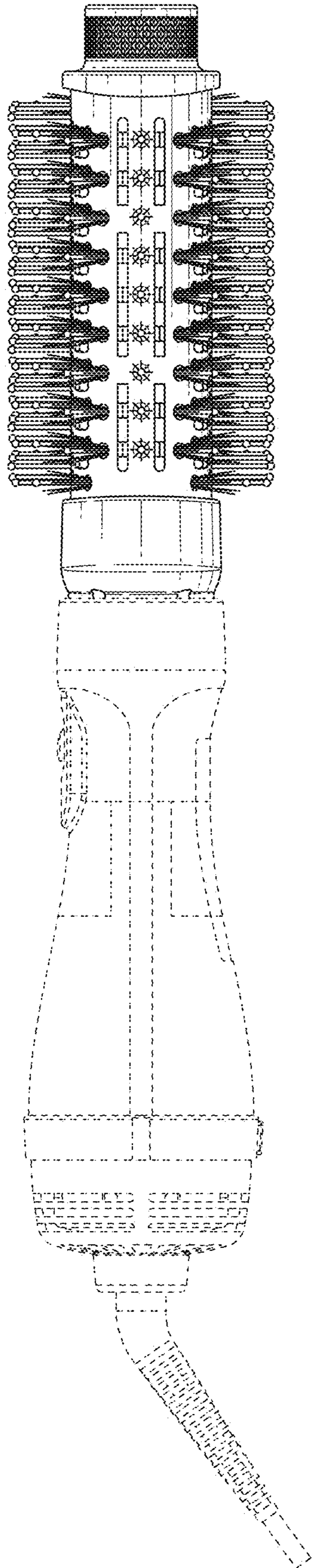


FIG. 4

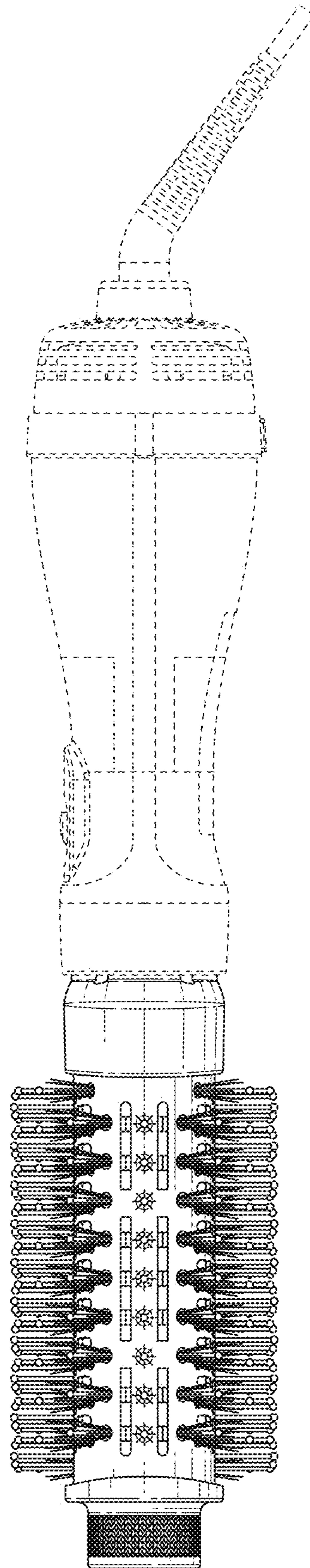


FIG. 5

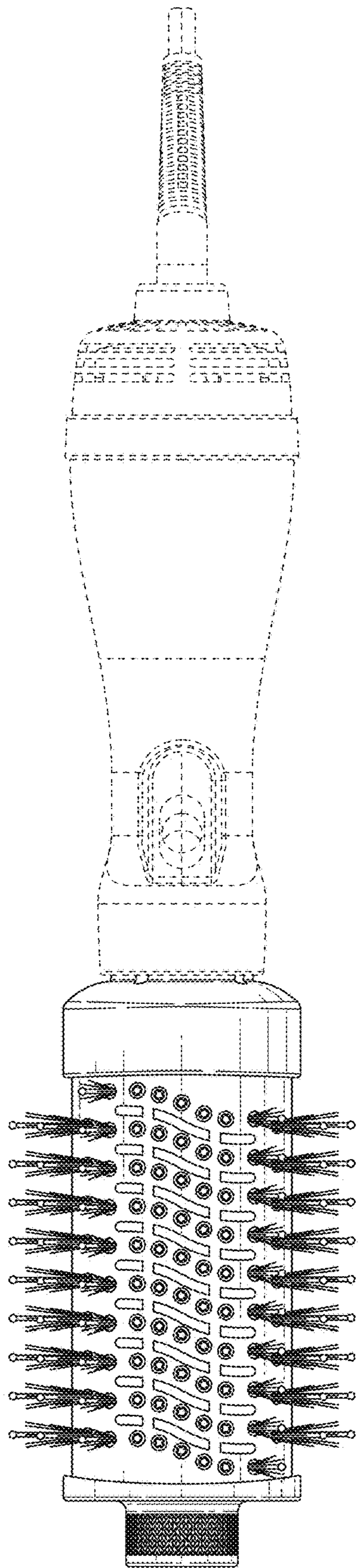


FIG. 6

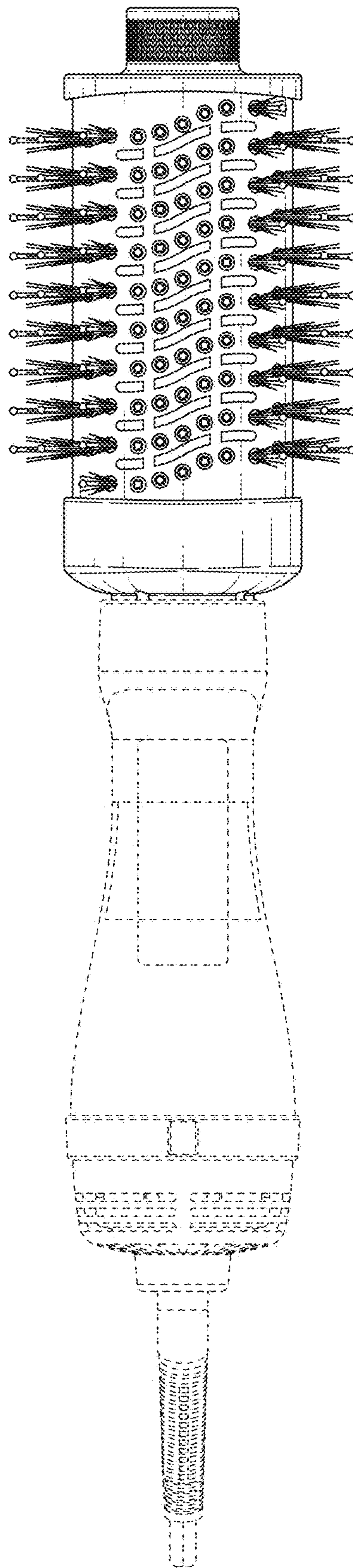


FIG. 7