



US00D902481S

(12) **United States Design Patent** (10) **Patent No.:** **US D902,481 S**
Floyd (45) **Date of Patent:** **** Nov. 17, 2020**

- (54) **HAND HELD COSMETIC DEVICE**
- (71) Applicant: **The Procter & Gamble Company**,
Cincinnati, OH (US)
- (72) Inventor: **Brian Lee Floyd**, Cincinnati, OH (US)
- (73) Assignee: **The Procter & Gamble Company**,
Cincinnati, OH (US)
- (**) Term: **15 Years**
- (21) Appl. No.: **29/667,946**
- (22) Filed: **Oct. 25, 2018**

7,648,364 B2 1/2010 Dauga
 D621,950 S 8/2010 Seki et al.
 7,890,152 B2 2/2011 Edgar
 8,007,062 B2 8/2011 Edgar
 8,027,505 B2 9/2011 Edgar
 D646,396 S 10/2011 Seki et al.
 8,184,901 B2 5/2012 Edgar
 8,231,292 B2 7/2012 Rabe

(Continued)

FOREIGN PATENT DOCUMENTS

FR 2933585 1/2010
 JP 2006297691 11/2006

(Continued)

OTHER PUBLICATIONS

U.S. Appl. No. 29/580,985, filed Oct. 14, 2016, Brian Lee Floyd.
 U.S. Appl. No. 29/580,980, filed Oct. 14, 2016, Brian Lee Floyd.

Primary Examiner — Susan Bennett Hattan
Assistant Examiner — Rebecca Tsehaye
 (74) *Attorney, Agent, or Firm* — Melissa G. Krasovec

Related U.S. Application Data

- (62) Division of application No. 29/580,980, filed on Oct. 14, 2016, now Pat. No. Des. 836,244.
- (51) **LOC (12) Cl.** **28-02**
- (52) **U.S. Cl.**
USPC **D28/7**
- (58) **Field of Classification Search**
USPC D28/7, 44–54; D24/133, 146; 30/34.1,
30/34.5, 43.7–43.9, 44, 45, 195–221
CPC B26B 19/00; B26B 19/02; B26B 19/04;
B26B 19/046; B26B 19/048
See application file for complete search history.

(57) **CLAIM**

The ornamental design for a hand held cosmetic device, as shown and described.

DESCRIPTION

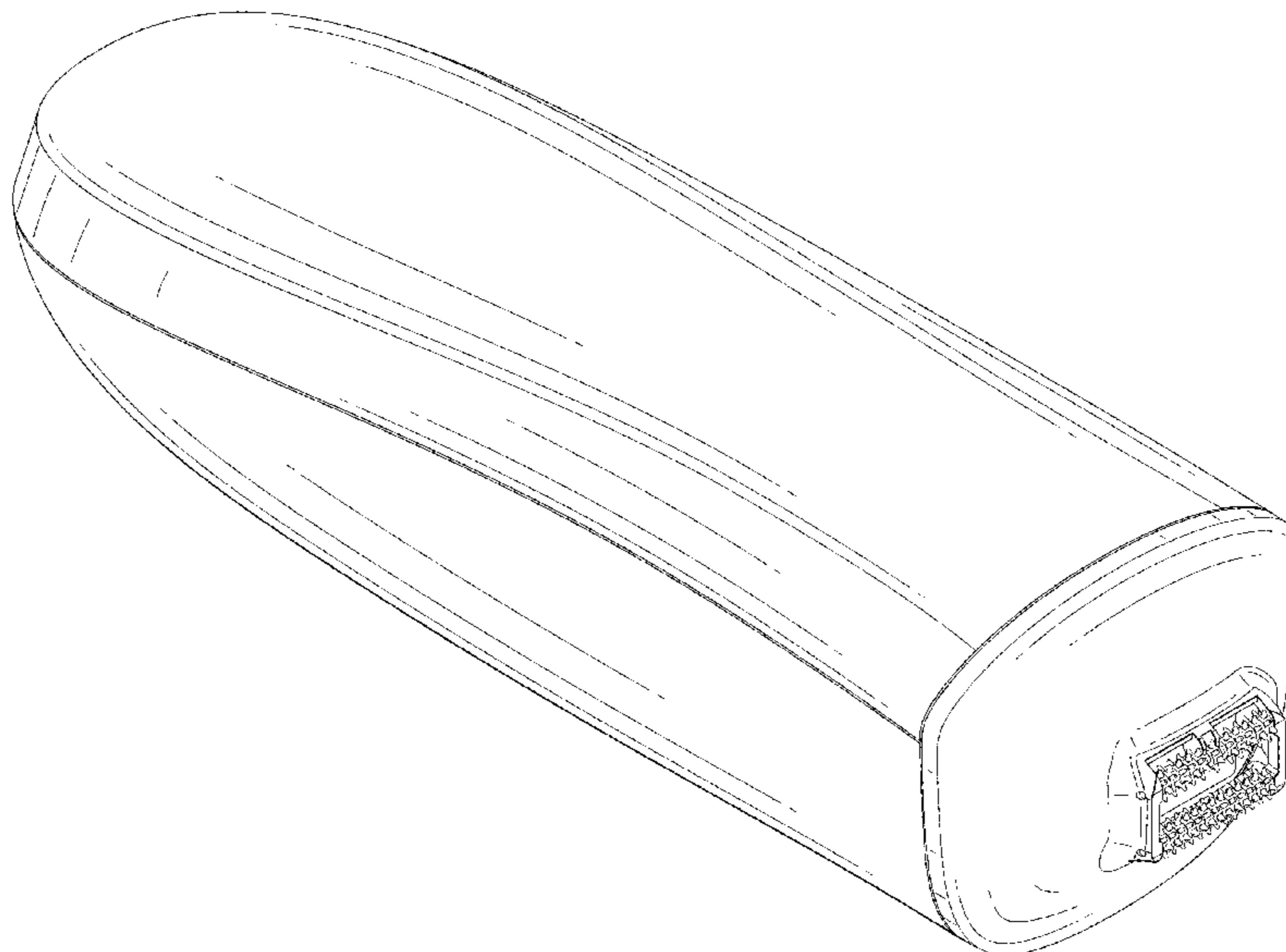
FIG. 1 is a perspective view of a design, embodying our new design;
 FIG. 2 is a top view of the device of FIG. 1;
 FIG. 3 is a bottom view of the device of FIG. 1;
 FIG. 4 is a first side view of the device of FIG. 1;
 FIG. 5 is a second side view of the device of FIG. 1;
 FIG. 6 is a third side view of the device of FIG. 1; and,
 FIG. 7 is a fourth side view of the device of FIG. 1.
 The broken lines in the drawings depict portions of the hand held cosmetic device that form no part of the claimed design.

(56) **References Cited**

U.S. PATENT DOCUMENTS

D340,540 S 10/1993 Nakashima
 D367,946 S 3/1996 Akashi
 D423,720 S 4/2000 Nielsen
 D434,528 S 11/2000 Kling
 6,312,124 B1 11/2001 Desormeaux
 D562,451 S 2/2008 Braynin et al.
 D573,756 S * 7/2008 Nielsen D28/53
 D595,407 S 6/2009 Braynin et al.
 D604,843 S 11/2009 Braynin et al.
 D608,888 S 1/2010 Braynin et al.

1 Claim, 6 Drawing Sheets



(56)

References Cited

U.S. PATENT DOCUMENTS

D674,485 S 1/2013 Flyash et al.
 D676,959 S 2/2013 Flyash et al.
 D681,276 S * 4/2013 Colle D28/53
 D698,494 S * 1/2014 Zheng D28/54
 8,695,610 B2 4/2014 Samain
 D711,044 S * 8/2014 Palmer D28/53
 D721,205 S * 1/2015 Colle D28/53
 D722,723 S 2/2015 Nitsch
 D730,580 S 5/2015 Palmer
 D733,965 S 7/2015 Yiu
 D750,325 S 2/2016 Nho
 D751,252 S 3/2016 Grabes
 D763,509 S 8/2016 Teteak
 D784,618 S 4/2017 Mori
 D784,619 S * 4/2017 Mori D28/53
 D787,746 S 5/2017 Werner
 D792,650 S 7/2017 Mintz
 D795,497 S 8/2017 Mintz
 D799,753 S 10/2017 Ishikura
 D800,388 S 10/2017 Ino
 D800,389 S 10/2017 Fleming
 D800,965 S 10/2017 Aulwes
 D817,550 S * 5/2018 Aulwes D28/53
 D820,521 S * 6/2018 Nitsch D28/53

D828,627 S * 9/2018 Szymanski D28/51
 D836,244 S * 12/2018 Floyd D28/7
 D852,419 S * 6/2019 Mori D28/53
 D854,747 S * 7/2019 Kimchi D28/53
 D859,743 S * 9/2019 Lambrecht D28/53
 2003/0060810 A1 3/2003 Syrowicz
 2006/0265823 A1 11/2006 Knopow et al.
 2008/0060665 A1 3/2008 Umeno et al.
 2008/0194971 A1 8/2008 Edgar
 2009/0025747 A1 1/2009 Edgar
 2010/0065576 A1 3/2010 Verheij
 2010/0224205 A1 9/2010 Mitra
 2010/0224209 A1 9/2010 Rabe
 2010/0224210 A1 9/2010 Rabe
 2011/0129283 A1 6/2011 Samain
 2011/0155161 A1 6/2011 Samain
 2011/0159463 A1 6/2011 Samain
 2011/0162673 A1 7/2011 Samain
 2013/0289196 A1 10/2013 Tanrikulu
 2014/0064821 A1 3/2014 Price et al.

FOREIGN PATENT DOCUMENTS

WO WO 2009036876 3/2009
 WO WO 2010004531 1/2010

* cited by examiner

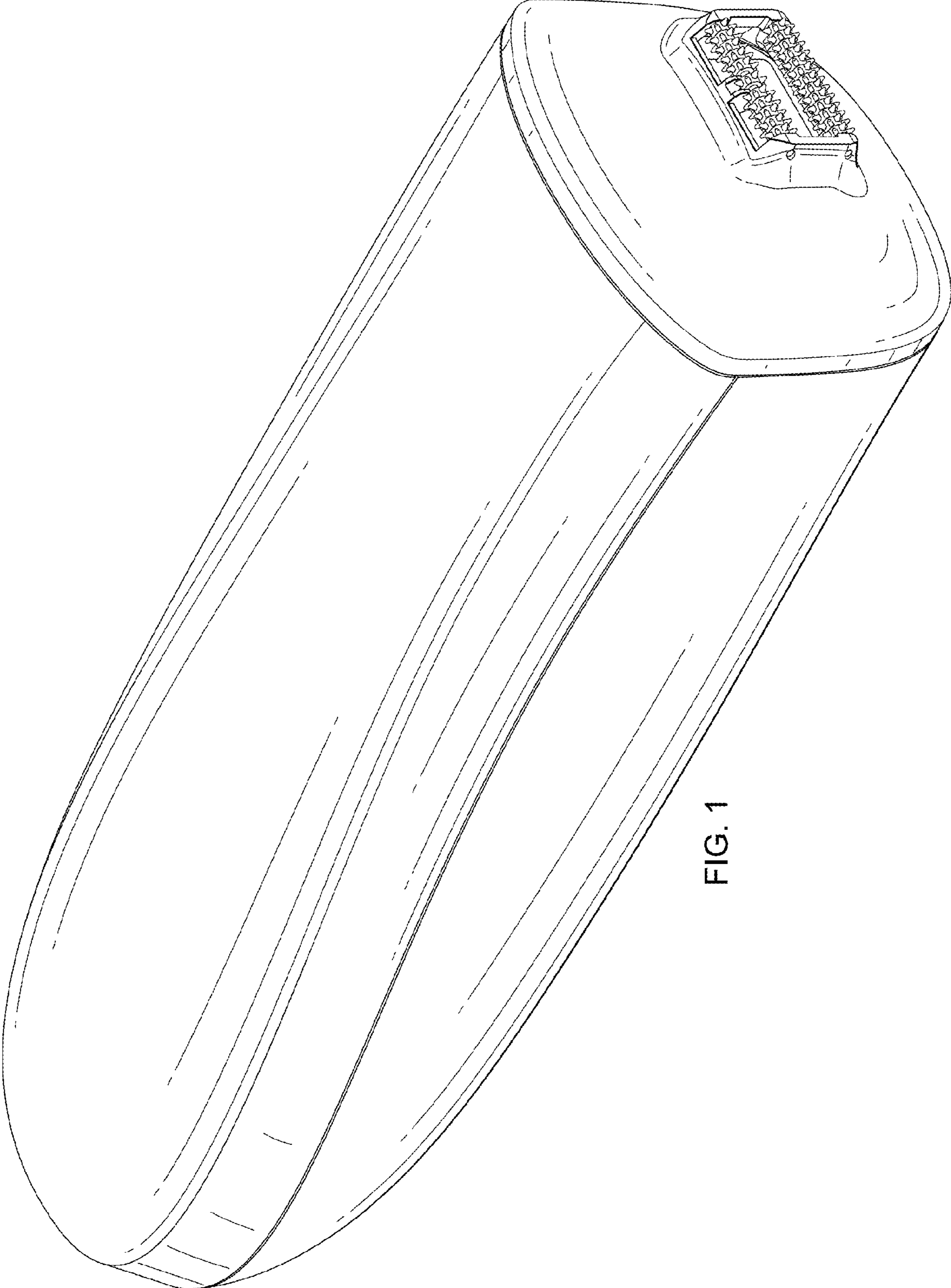


FIG. 1

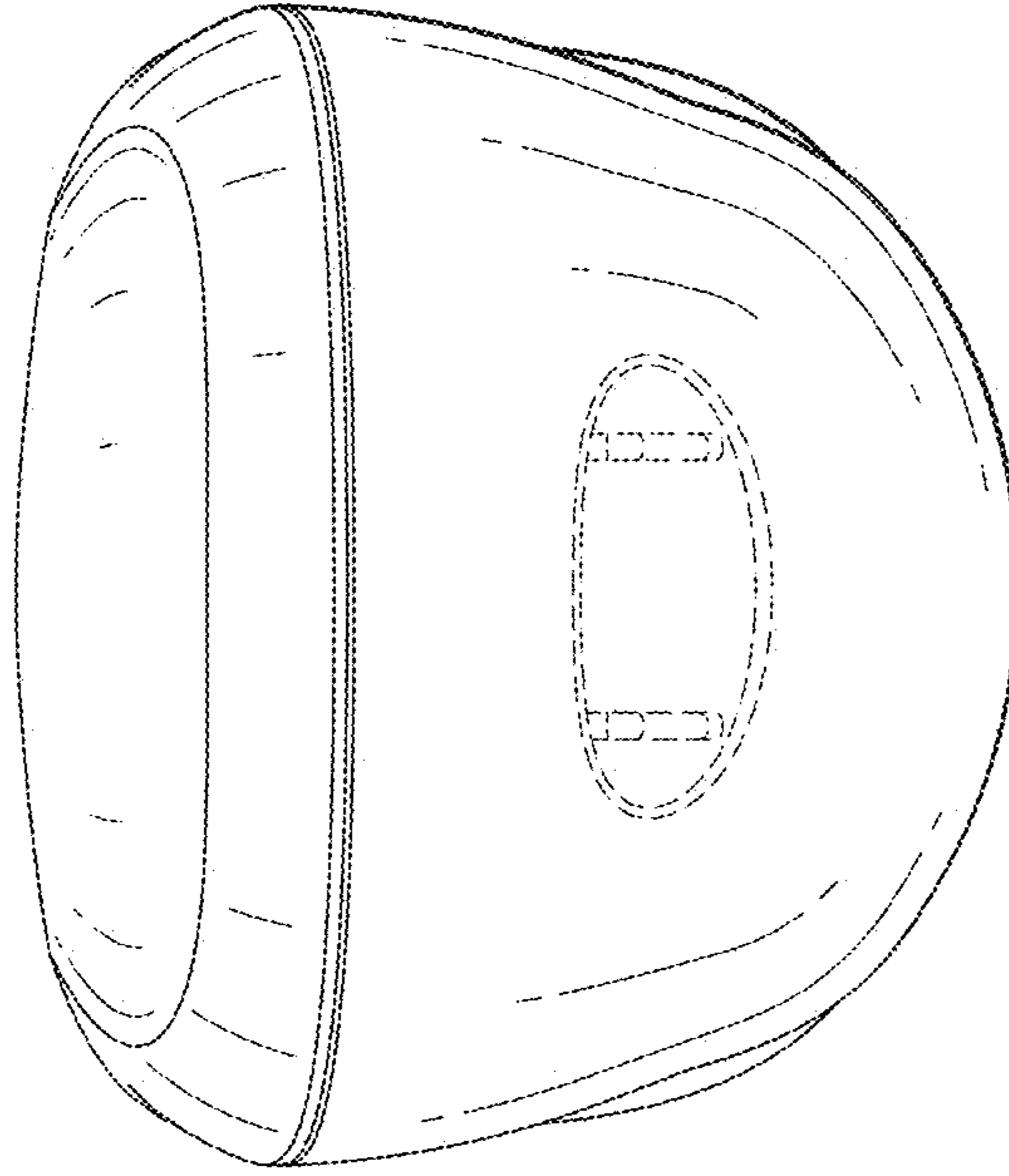


FIG. 2

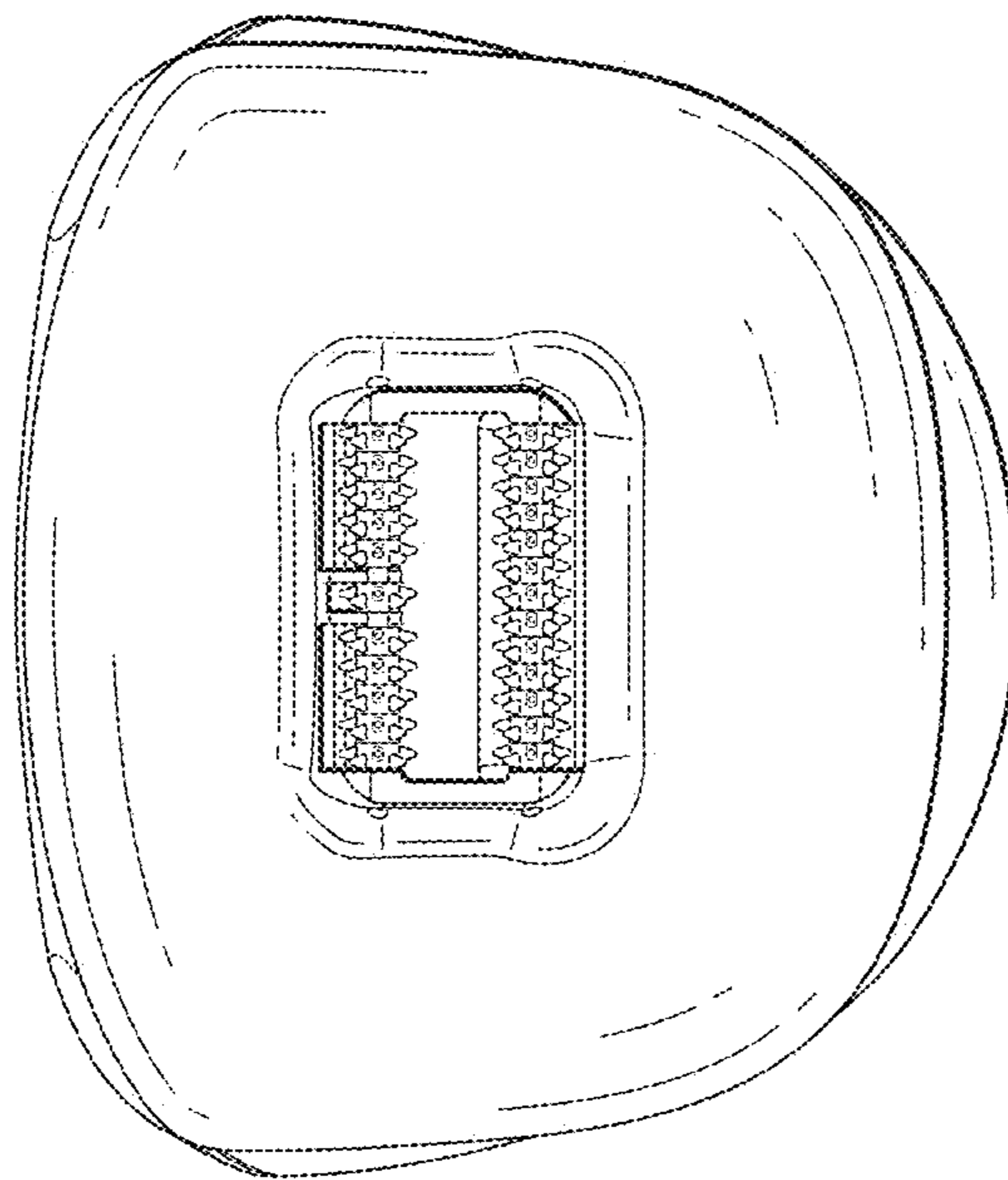


FIG. 3

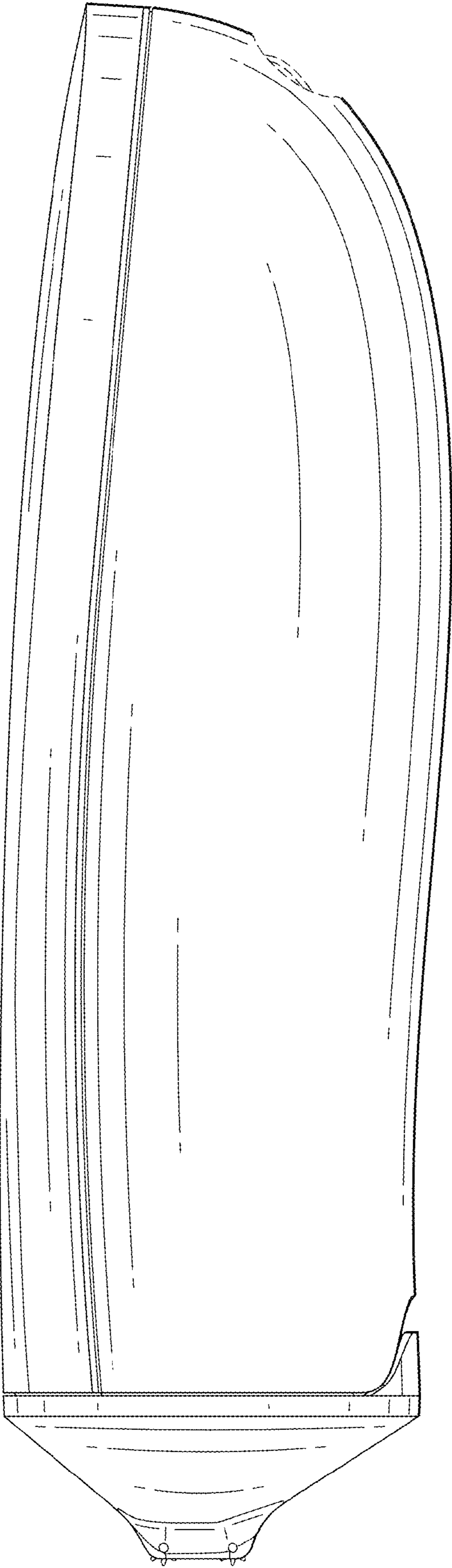


FIG. 4

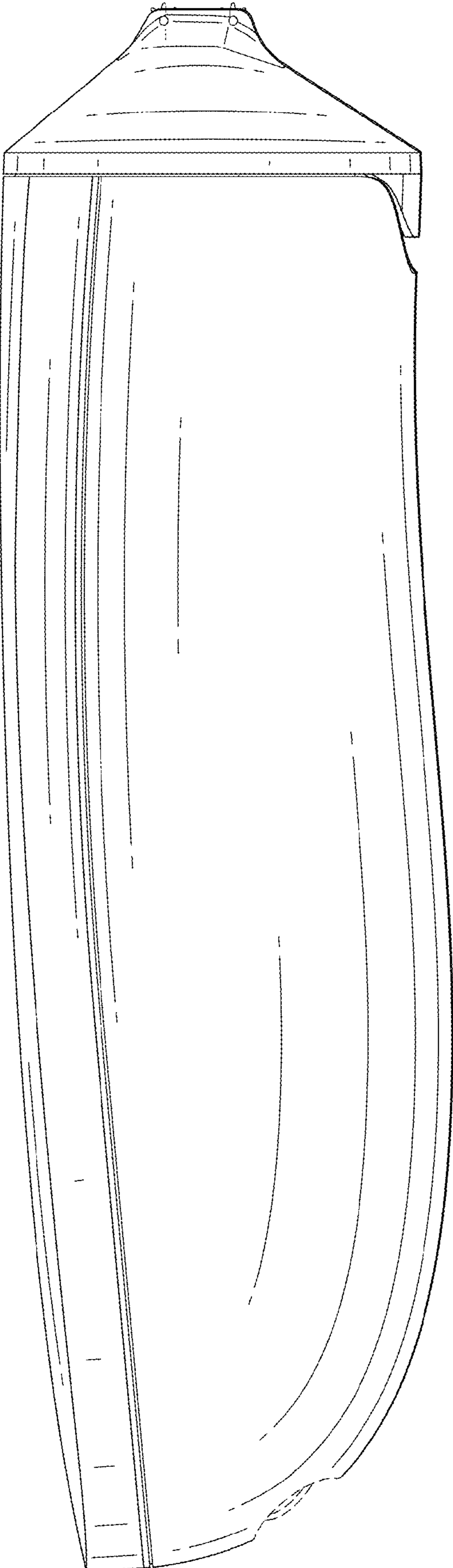


FIG. 5

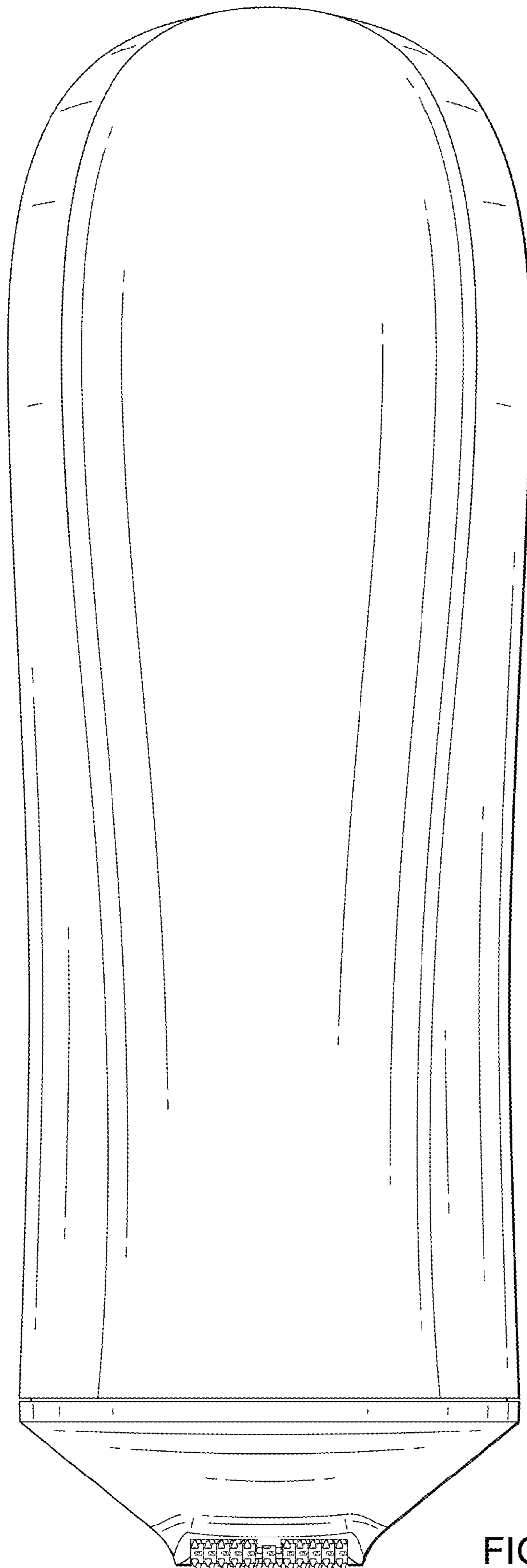


FIG. 6

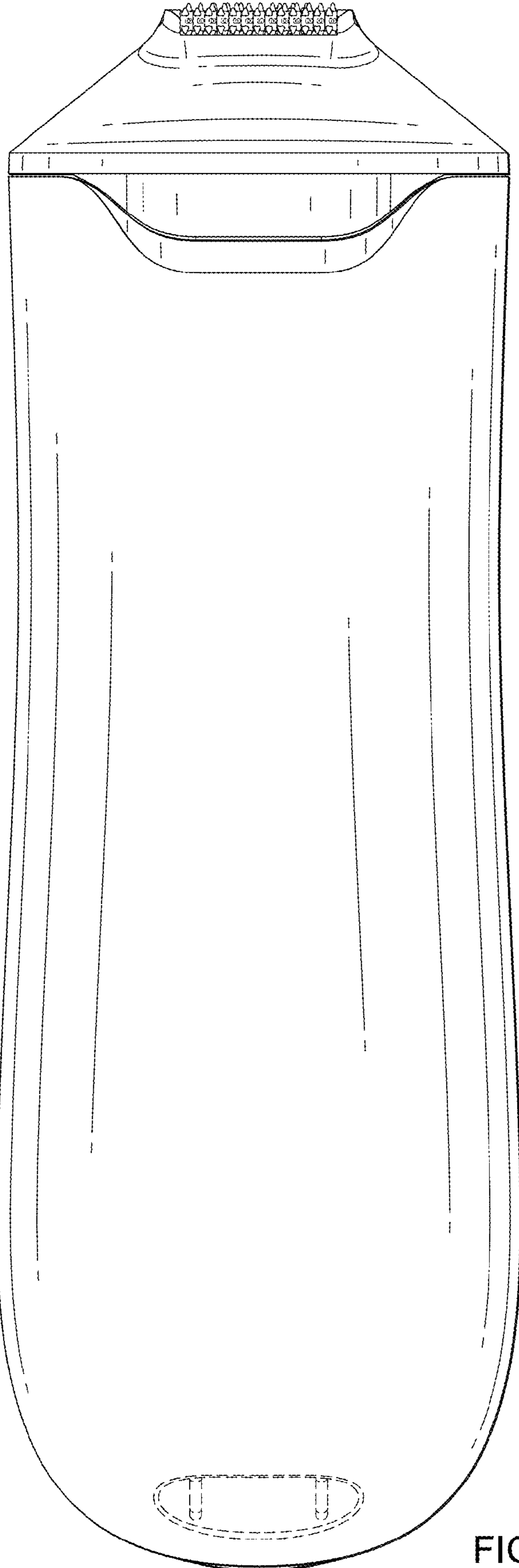


FIG. 7