



US00D902479S

(12) **United States Design Patent** (10) **Patent No.:** **US D902,479 S**
Liu (45) **Date of Patent:** **** Nov. 17, 2020**

(54) **MACHINE FOR MANUFACTURING CIGARETTES**

(71) Applicant: **Jian Dong Liu**, Zhejiang (CN)

(72) Inventor: **Jian Dong Liu**, Zhejiang (CN)

(73) Assignee: **Jian Dong Liu**, Ruian (CN)

(**) Term: **15 Years**

(21) Appl. No.: **29/686,944**

(22) Filed: **Apr. 9, 2019**

(30) **Foreign Application Priority Data**

Oct. 10, 2018 (CN) 2018 3 0565053

(51) **LOC (12) Cl.** **27-06**

(52) **U.S. Cl.**
USPC **D27/184**

(58) **Field of Classification Search**
USPC D27/184, 100, 193, 194, 195
CPC A24C 5/40; A24C 5/42; A24C 5/46; A24C 5/465; A24C 5/00; A24C 5/02; A24C 5/10
See application file for complete search history.

(56) **References Cited**

U.S. PATENT DOCUMENTS

2,551,095 A 5/1951 Chaze
D250,965 S * 1/1979 Moscovitch D27/194
5,088,506 A 2/1992 Kastner
D522,691 S * 6/2006 Willis D27/184
D570,540 S * 6/2008 Feldmann D27/194
D613,033 S * 4/2010 Lin D27/194
7,905,235 B2 3/2011 Patel
D659,901 S * 5/2012 Lin D27/194
8,171,939 B2 5/2012 Bao
D665,126 S * 8/2012 Lin D27/194
8,261,752 B2 9/2012 Bao

D692,616 S * 10/2013 Patel D27/194
D700,399 S * 2/2014 Lin D27/194
D718,462 S * 11/2014 Cook D24/216
9,380,808 B2 7/2016 Bao
D769,521 S * 10/2016 Lin D27/194

(Continued)

FOREIGN PATENT DOCUMENTS

CN 201138314 Y 10/2008

OTHER PUBLICATIONS

Cigarette Manufacturing Machine by:TOP Machine Top O Matic T2 Makes 100's and Kings found online (Mar. 1, 2012) <https://www.tobaccogeneral.com/top-machine-top-o-matic-2792-prd1.htm> (Mar. 1, 2012).*

(Continued)

Primary Examiner — Marissa J Cash

Assistant Examiner — Rebecca Tsehaye

(74) *Attorney, Agent, or Firm* — Calfee, Halter & Griswold LLP

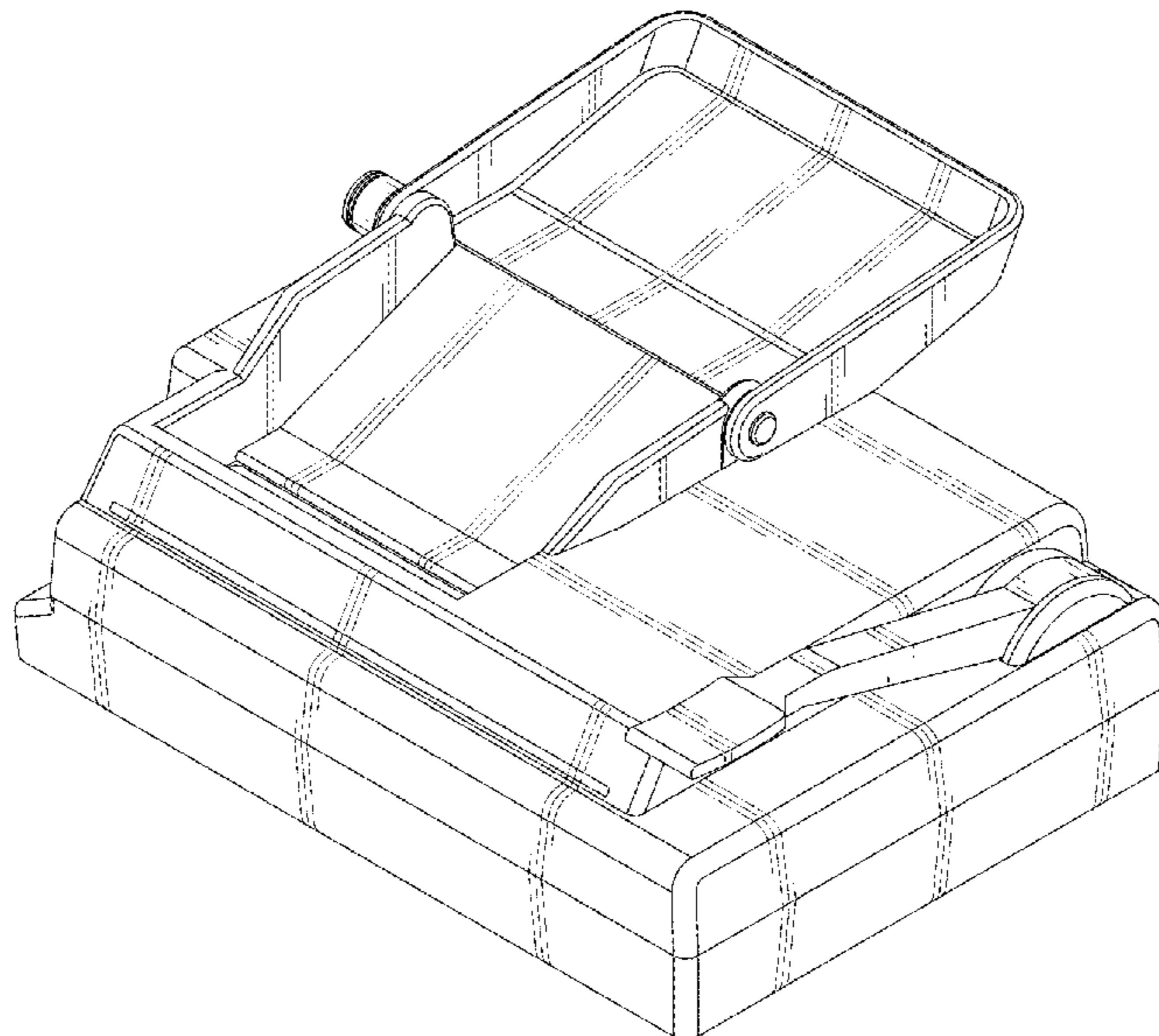
(57) **CLAIM**

I claim the ornamental design for a machine for manufacturing cigarettes, as shown and described.

DESCRIPTION

FIG. 1 is a front-top-right side perspective view of machine for manufacturing cigarettes, showing my new design; FIG. 2 is a front-top-left side perspective view thereof; FIG. 3 is a top plan view thereof; FIG. 4 is a bottom plan view thereof; FIG. 5 is a left side elevation view thereof; FIG. 6 is a right side elevation view thereof; FIG. 7 is a front elevation view thereof; and, FIG. 8 is a rear elevation view thereof. The broken lines in the drawings depict portions of the machine for manufacturing cigarettes that form no part of the claimed design.

1 Claim, 4 Drawing Sheets



(56)

References Cited

U.S. PATENT DOCUMENTS

9,661,877 B2 5/2017 Bao
9,949,503 B2 * 4/2018 Lin A24C 5/06
D881,464 S * 4/2020 Lin D27/194
2006/0096604 A1 5/2006 Moser et al.
2014/0202471 A1 7/2014 Bao
2016/0374389 A1 12/2016 Bao et al.
2019/0150499 A1 5/2019 Bao et al.

OTHER PUBLICATIONS

Brown, Five Hundred and Seven Mechanical Movements 42-43,
1995.

* cited by examiner

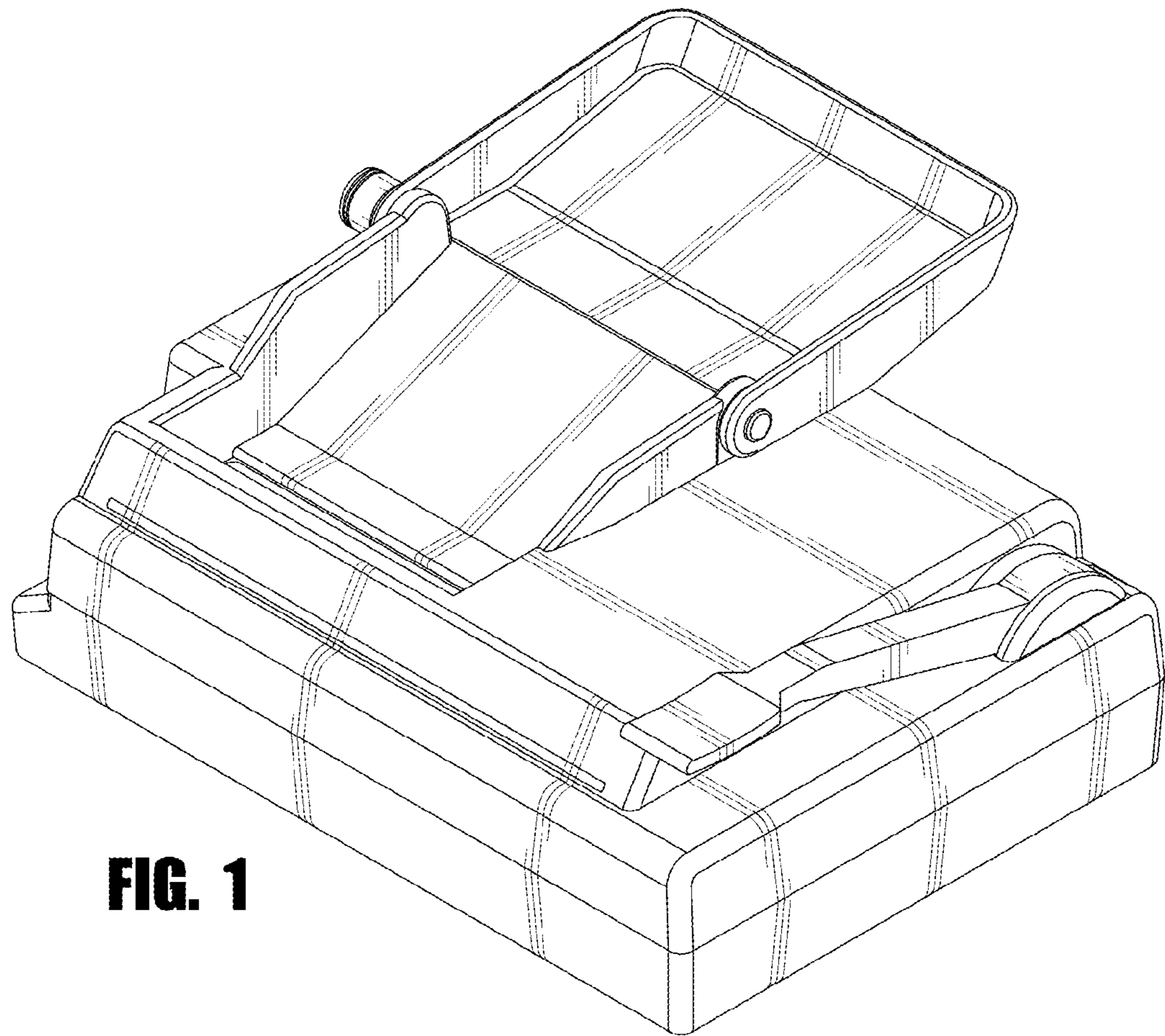


FIG. 1

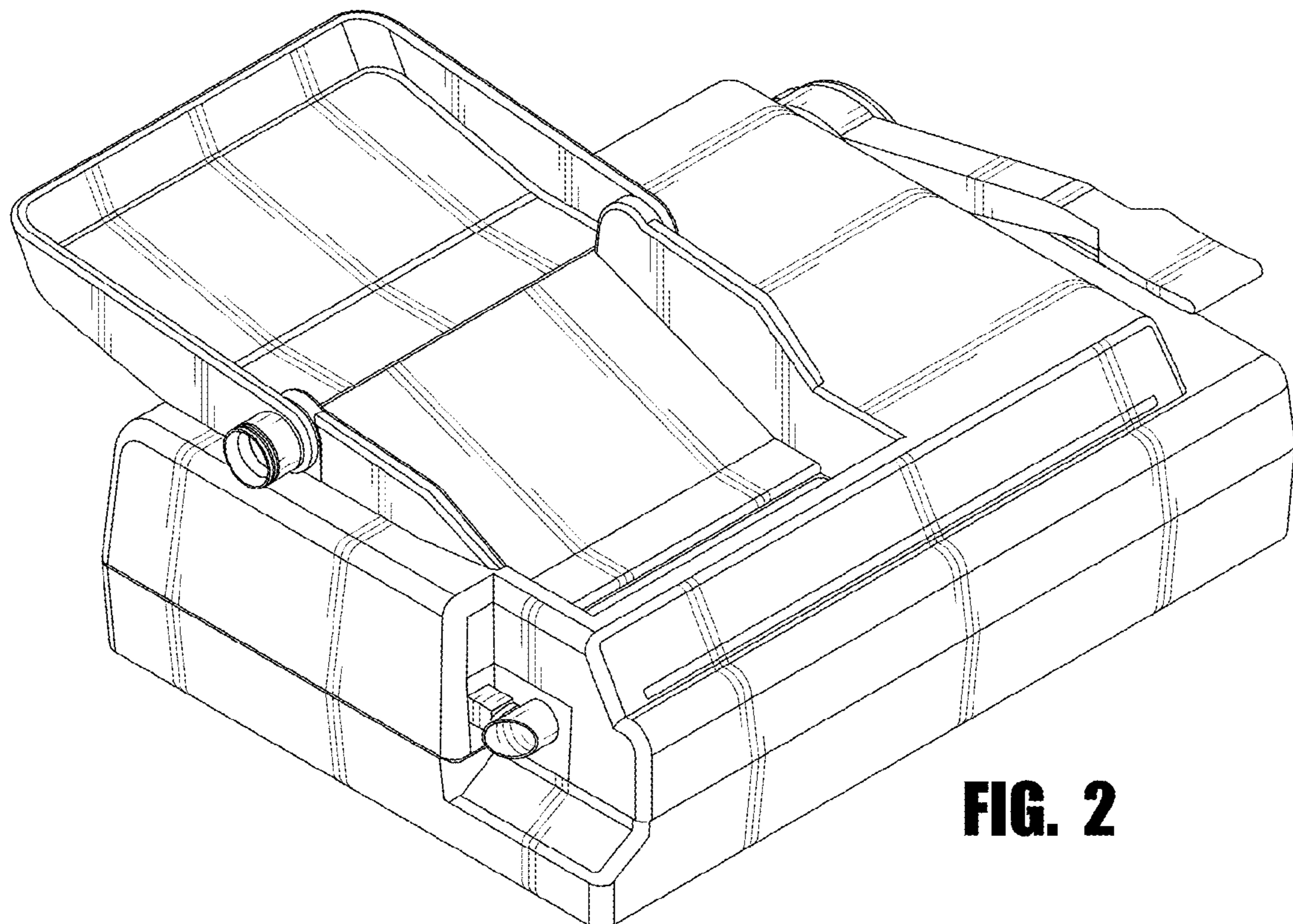


FIG. 2

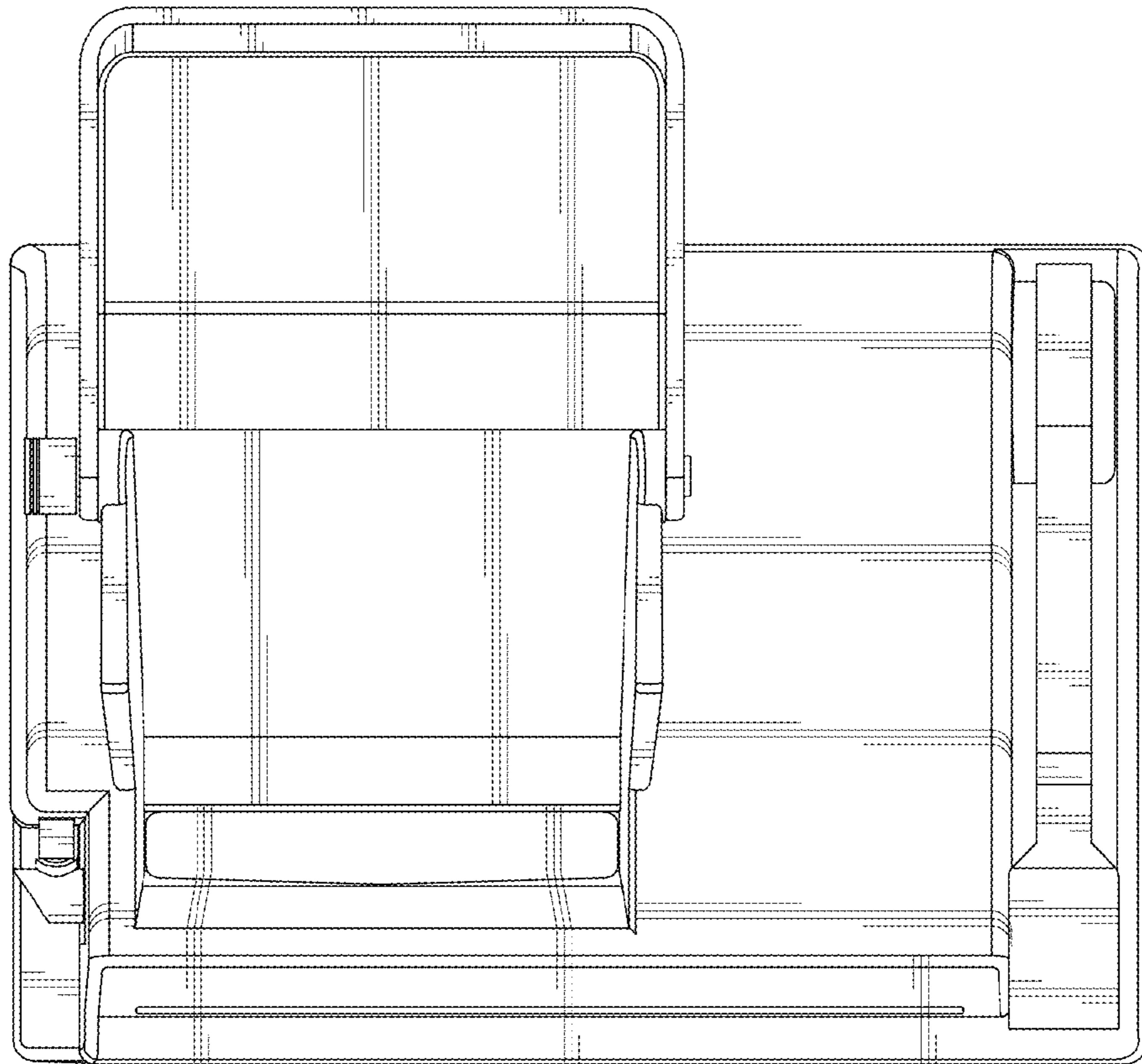


FIG. 3

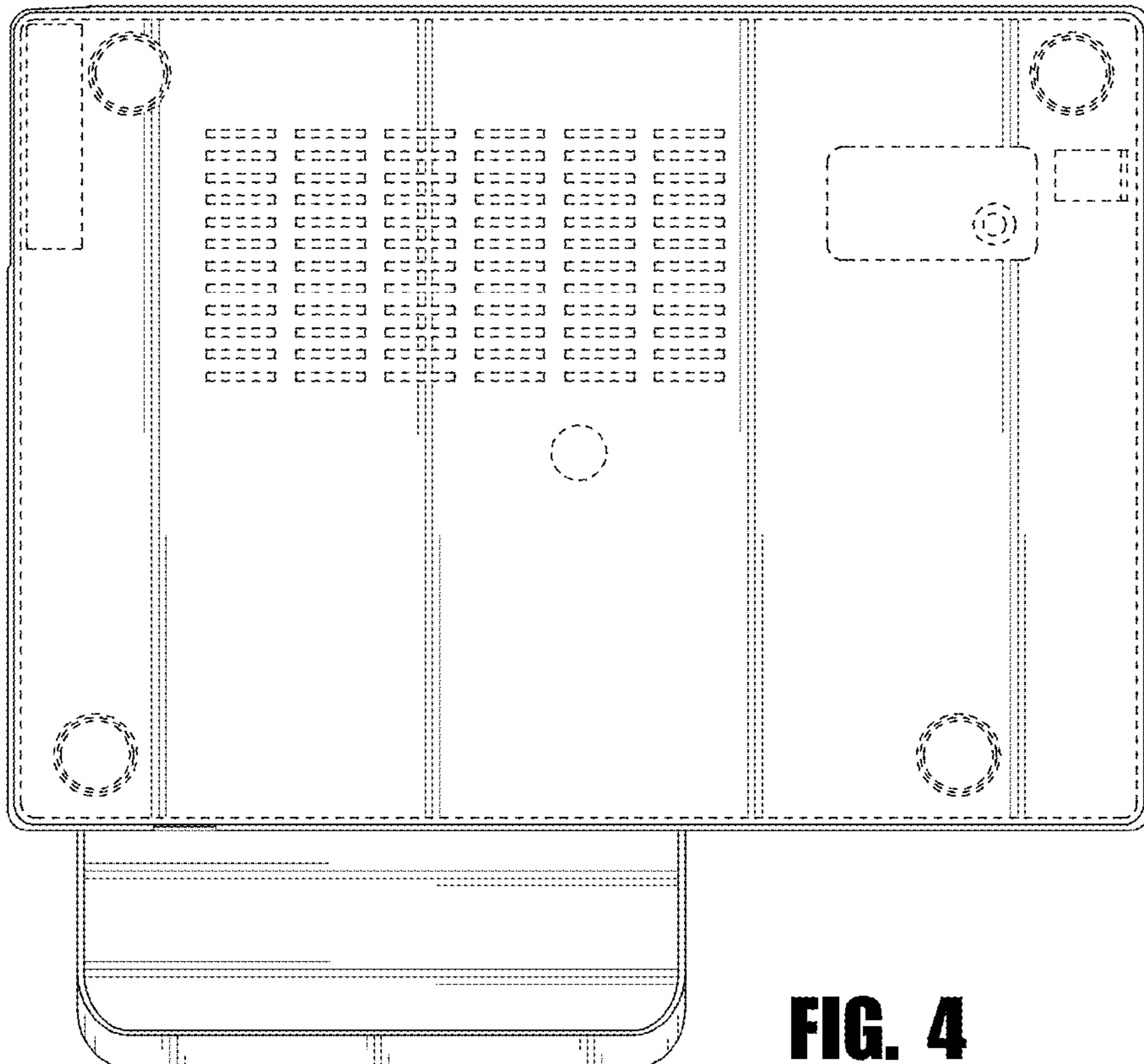


FIG. 4

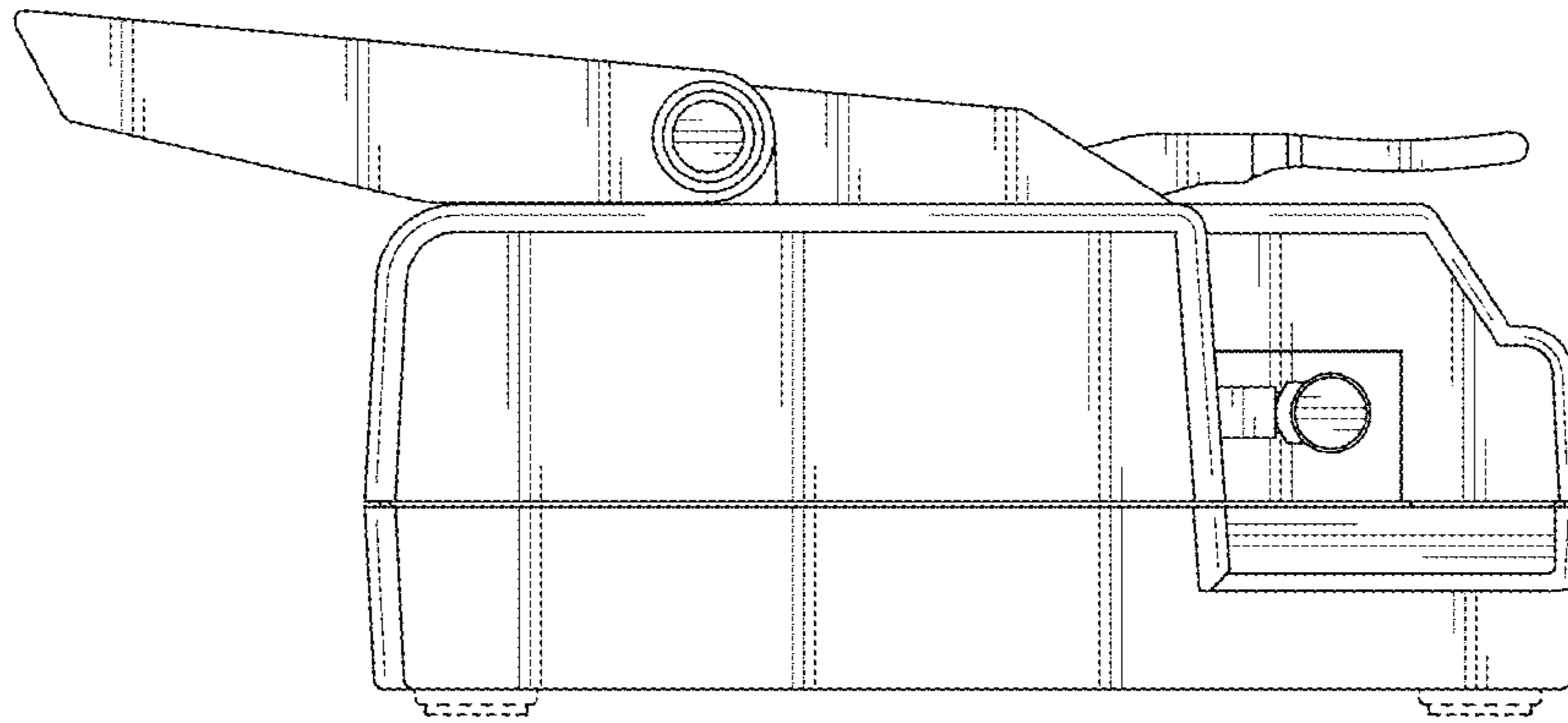


FIG. 5

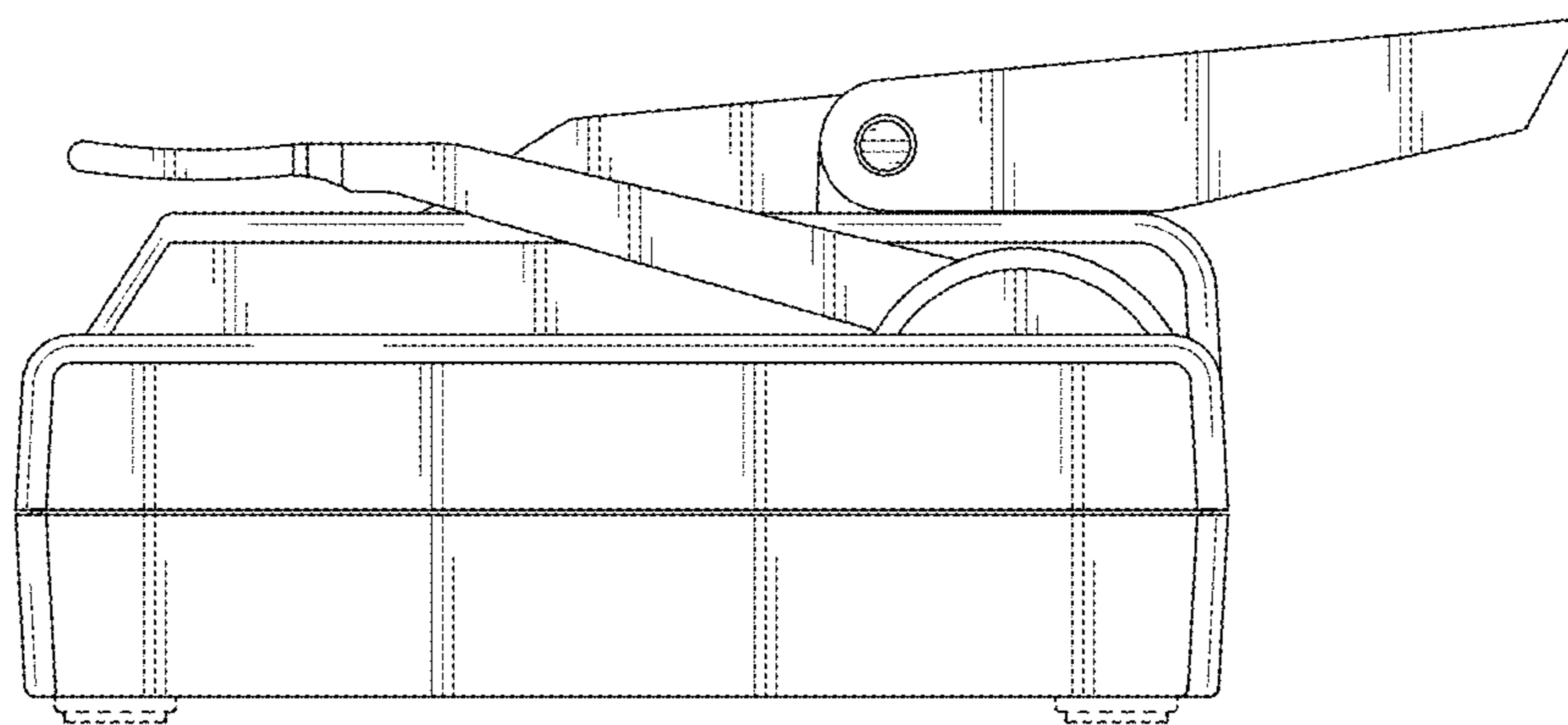


FIG. 6

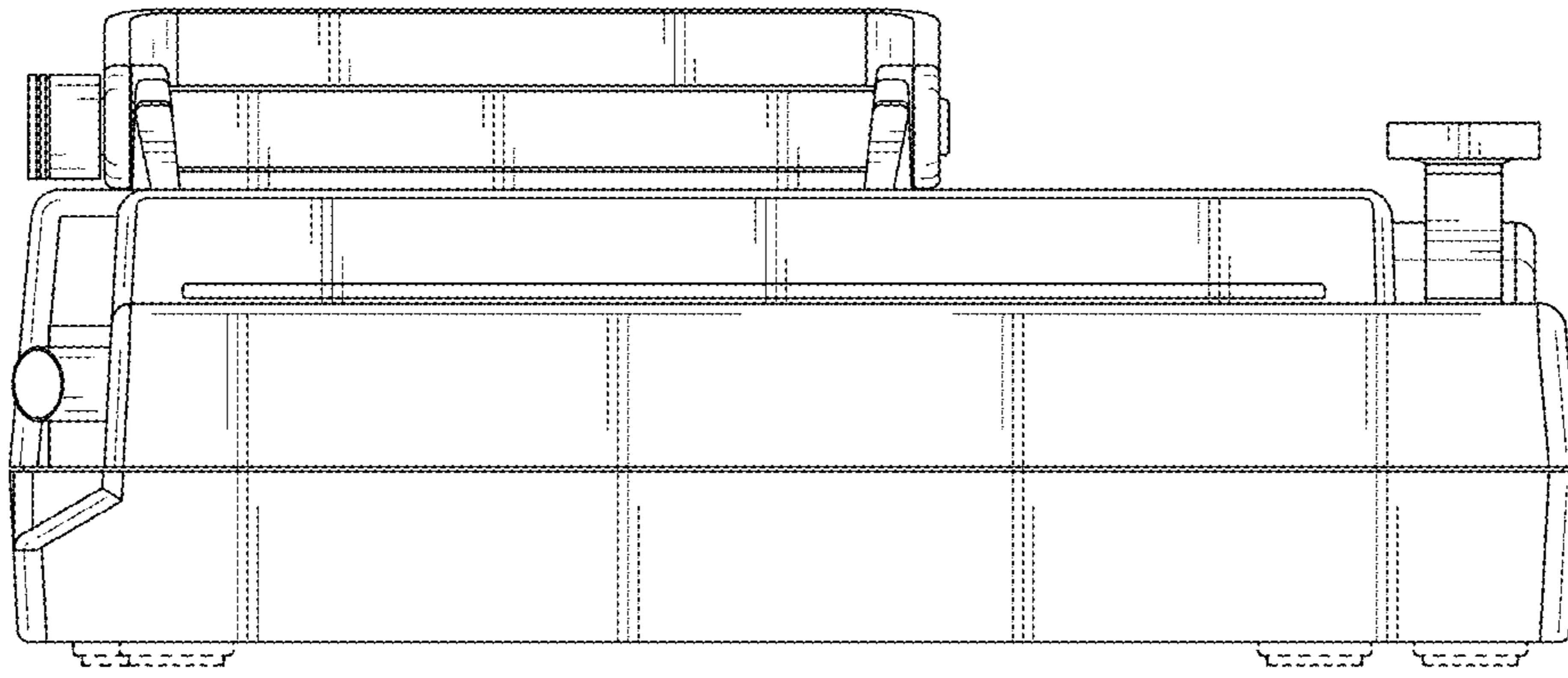


FIG. 7

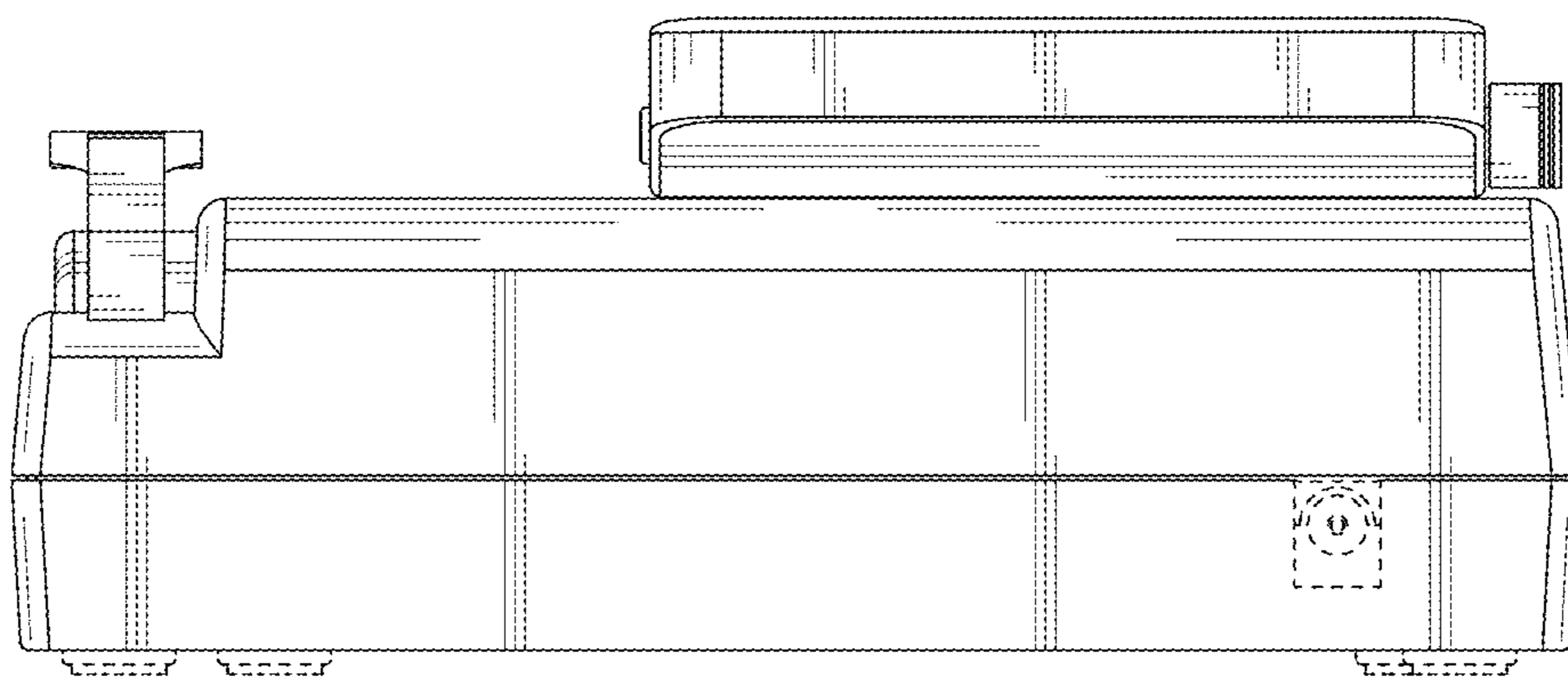


FIG. 8