

US00D902478S

(12) **United States Design Patent**
Goldsborough

(10) **Patent No.:** **US D902,478 S**

(45) **Date of Patent:** **** Nov. 17, 2020**

(54) **ELECTRONIC CIGARETTE HOLDER**

(71) Applicant: **Pelican Marketing Group, Inc.,**
Baltimore, MD (US)

(72) Inventor: **Nigel A. R. Goldsborough,** Crawford,
WV (US)

(73) Assignee: **Pelican Marketing Group, Inc.,**
Baltimore, MD (US)

(**) Term: **15 Years**

(21) Appl. No.: **29/690,773**

(22) Filed: **May 10, 2019**

(51) **LOC (12) Cl.** **27-06**

(52) **U.S. Cl.**
USPC **D27/172**

(58) **Field of Classification Search**
USPC D27/183, 172, 173, 180–182, 186–188,
D27/193; 131/257, 250, 260; D8/78, 33,
D8/48, 75
CPC A24F 13/02; A24F 13/08; A24F 13/00;
A24F 13/12
See application file for complete search history.

(56) **References Cited**

U.S. PATENT DOCUMENTS

D473,760 S * 4/2003 Perez D7/620
D559,672 S * 1/2008 Alexander D8/384

D576,479 S * 9/2008 Alexander D8/384
D672,885 S * 12/2012 Yoder D25/61
D682,075 S * 5/2013 Pierce D8/367
D734,537 S * 7/2015 Farley D27/194
D774,411 S * 12/2016 Peterson D11/143
D809,905 S * 2/2018 Gunderson D8/371
D847,142 S * 4/2019 Furshman D14/447
D848,058 S * 5/2019 Richardson D27/183
D860,769 S * 9/2019 Wokutch D8/380
D862,794 S * 10/2019 Wolk D27/187
D867,075 S * 11/2019 Johnson D7/622
D877,601 S * 3/2020 White D8/380

* cited by examiner

Primary Examiner — Marissa J Cash
Assistant Examiner — Rebecca Tsehaye

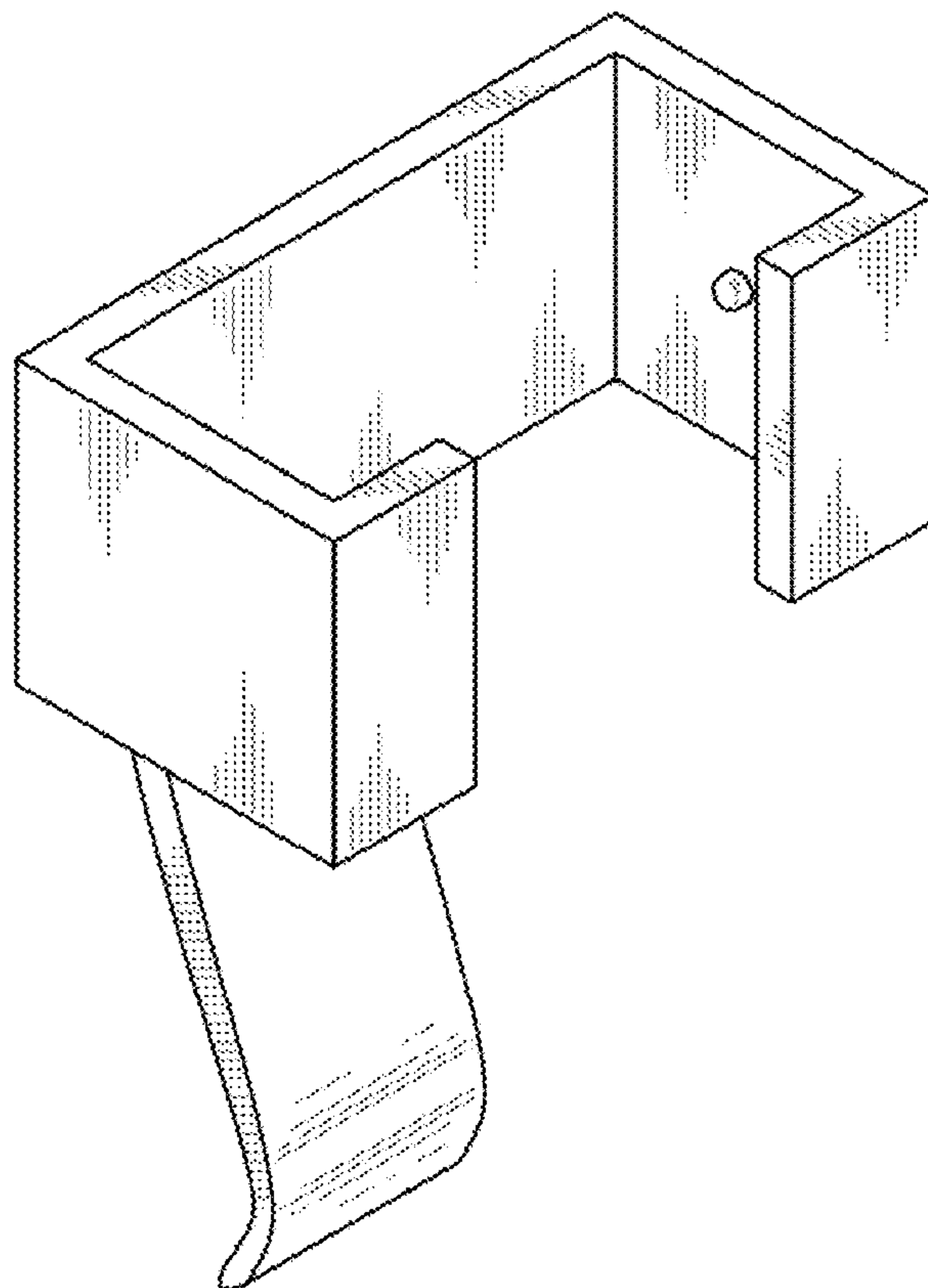
(57) **CLAIM**

The ornamental design for an electronic cigarette holder, as shown and described in the drawings and specification.

DESCRIPTION

FIG. 1 is a top front perspective view of the electronic cigarette holder showing my new design.
FIG. 2 is a bottom front isometric view thereof.
FIG. 3 is a front view thereof.
FIG. 4 is a rear view thereof.
FIG. 5 is a left view thereof.
FIG. 6 is a right view thereof.
FIG. 7 is a top view thereof; and,
FIG. 8 is a bottom view thereof.

1 Claim, 6 Drawing Sheets



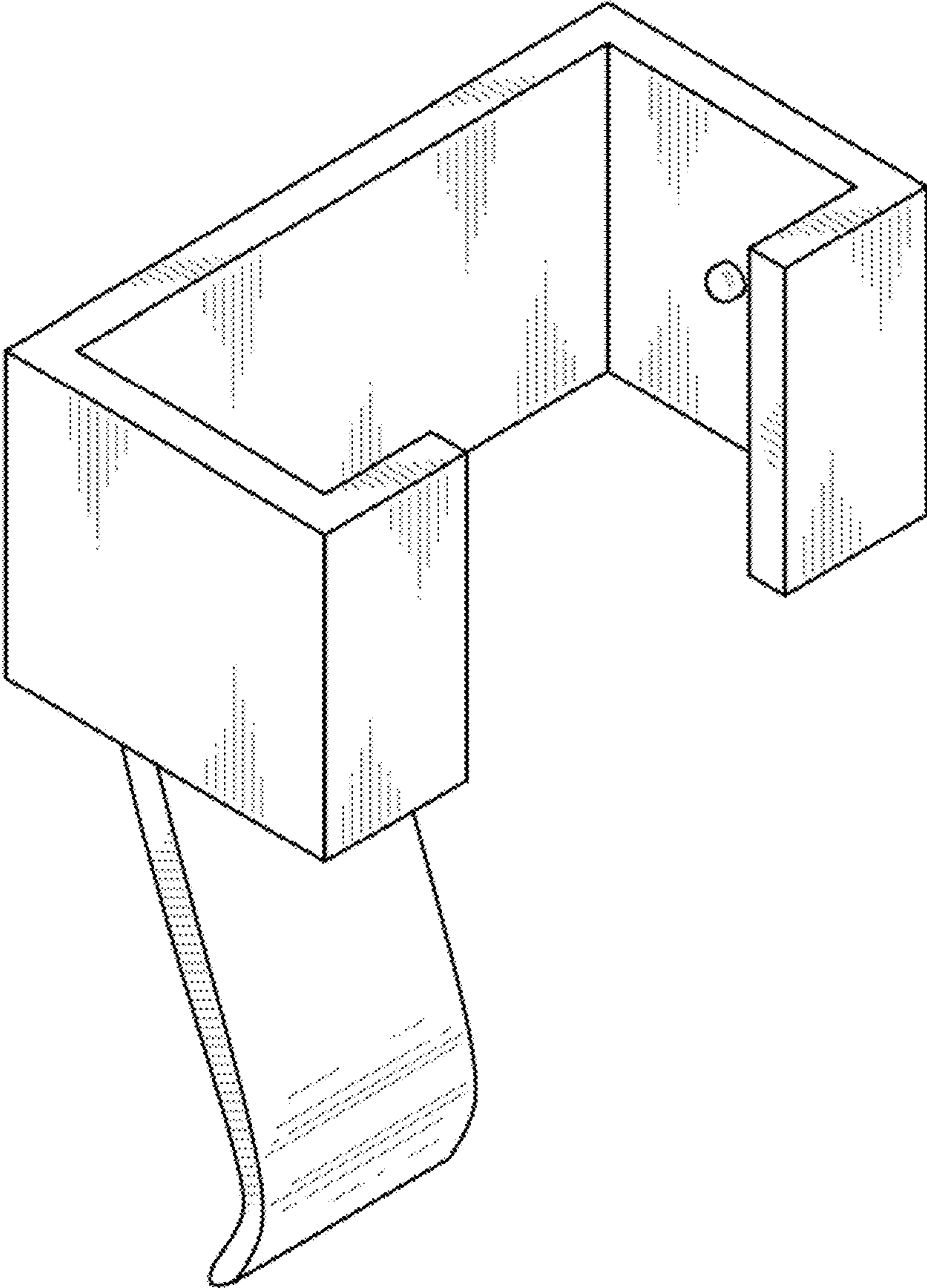


FIG. 1

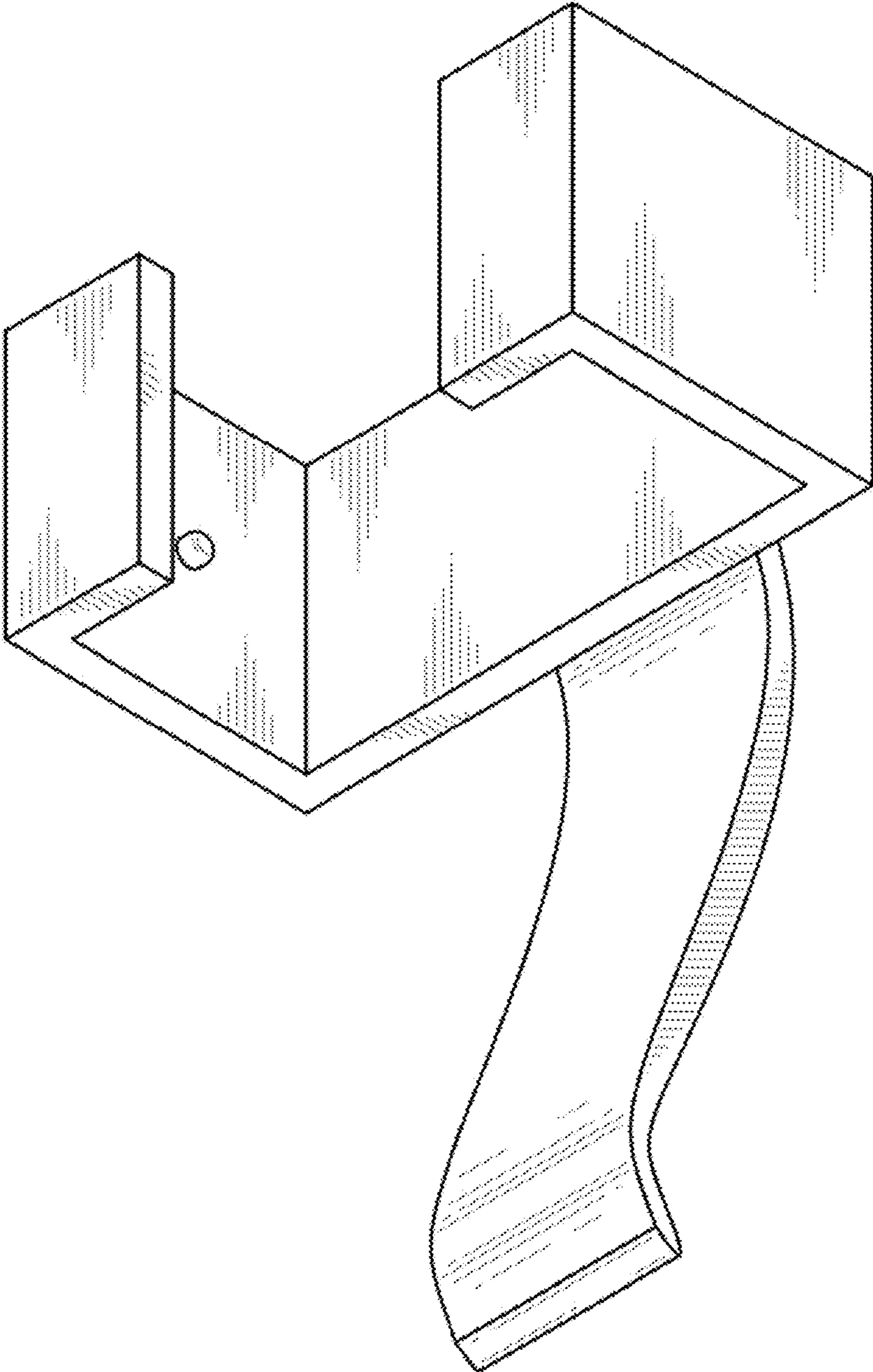


FIG. 2

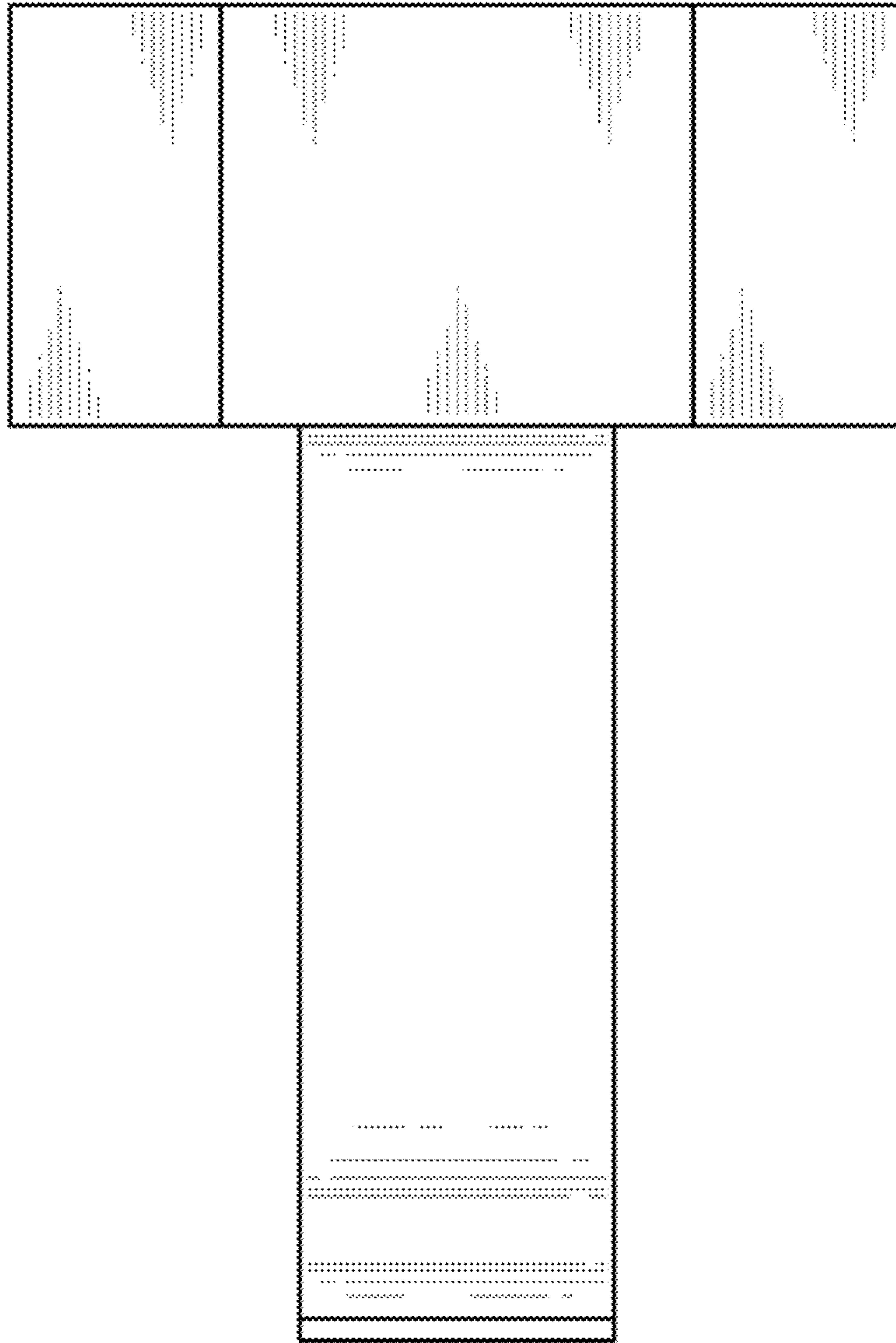


FIG. 3

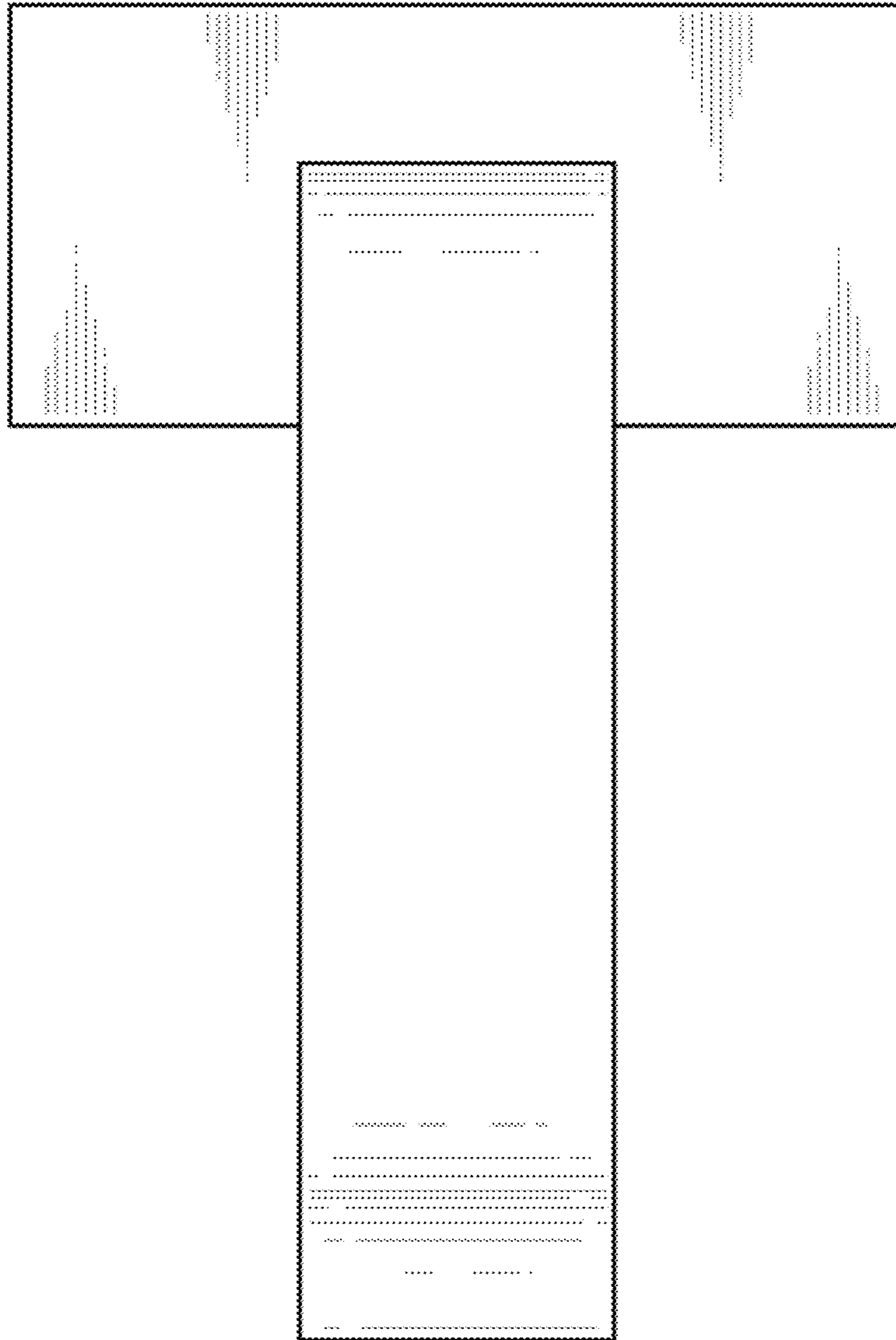


FIG. 4

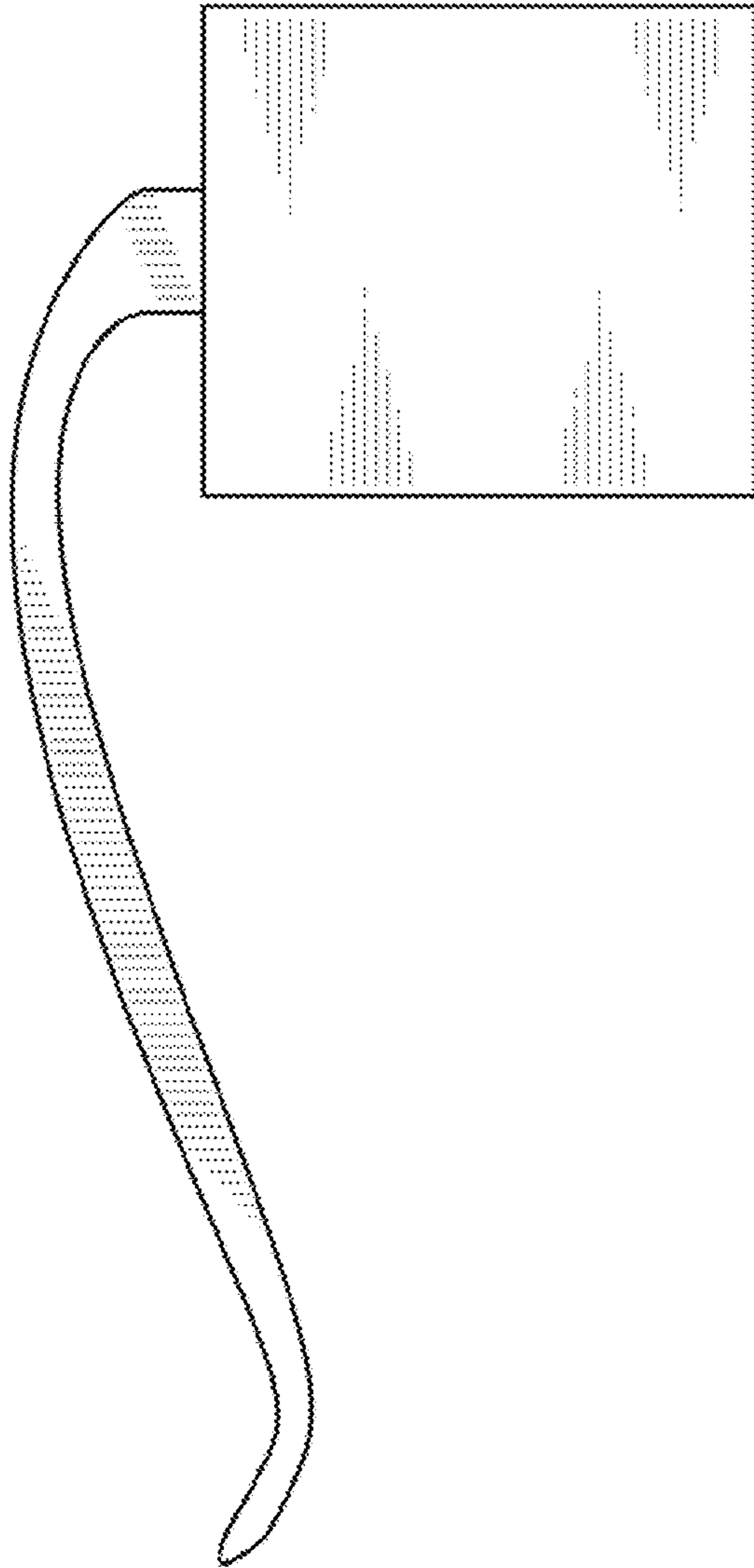


FIG. 5

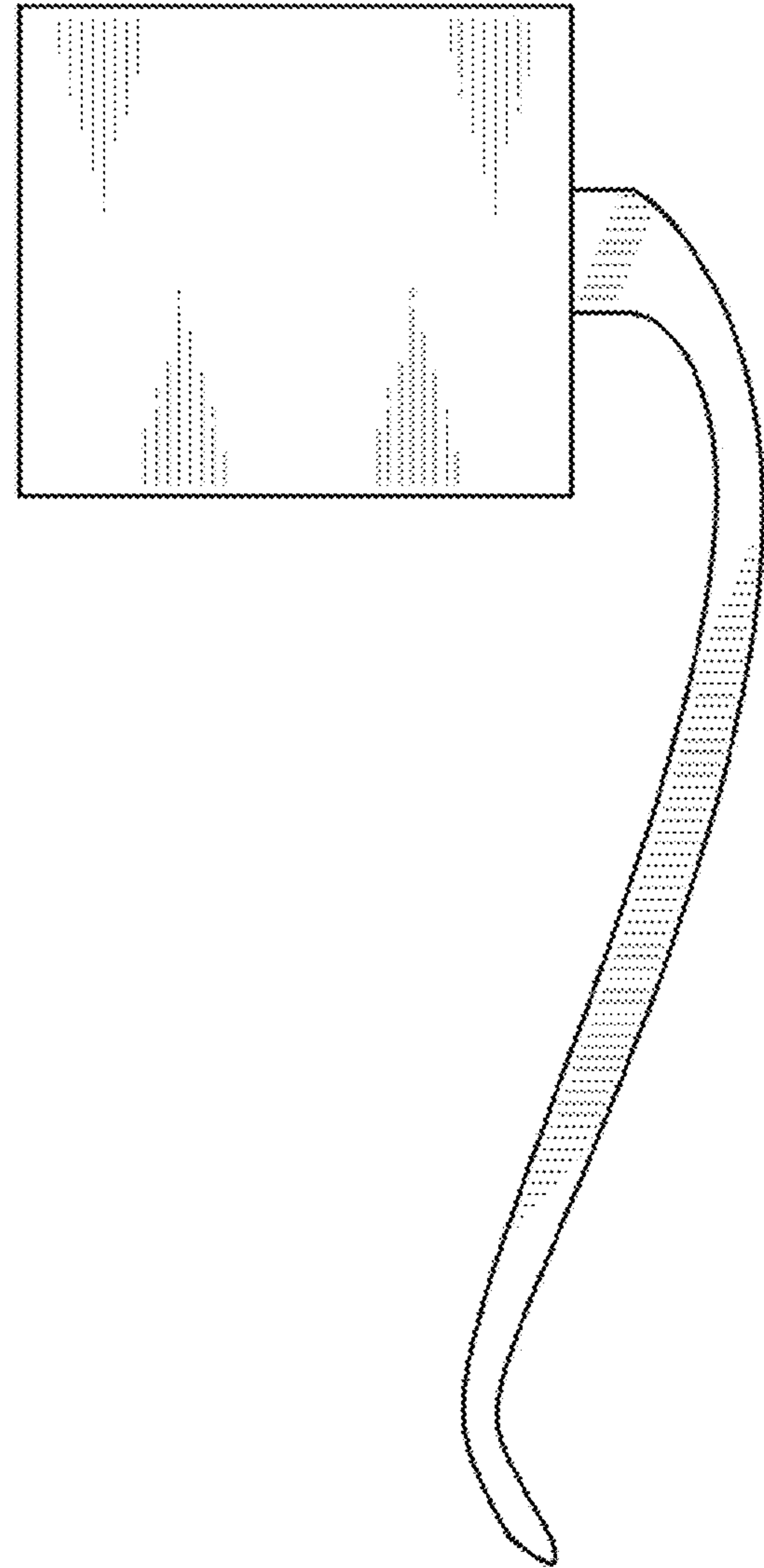


FIG. 6

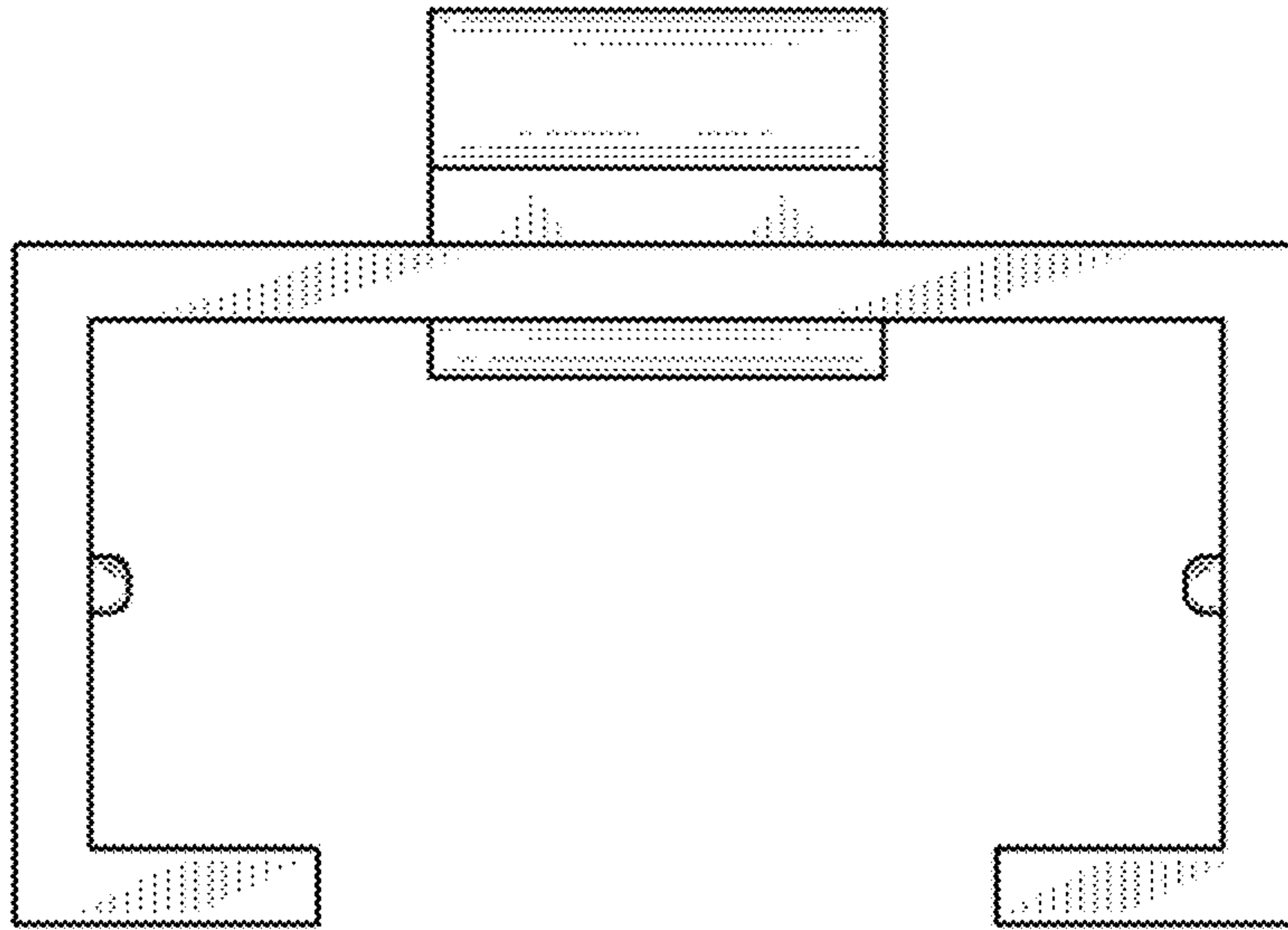


FIG. 7

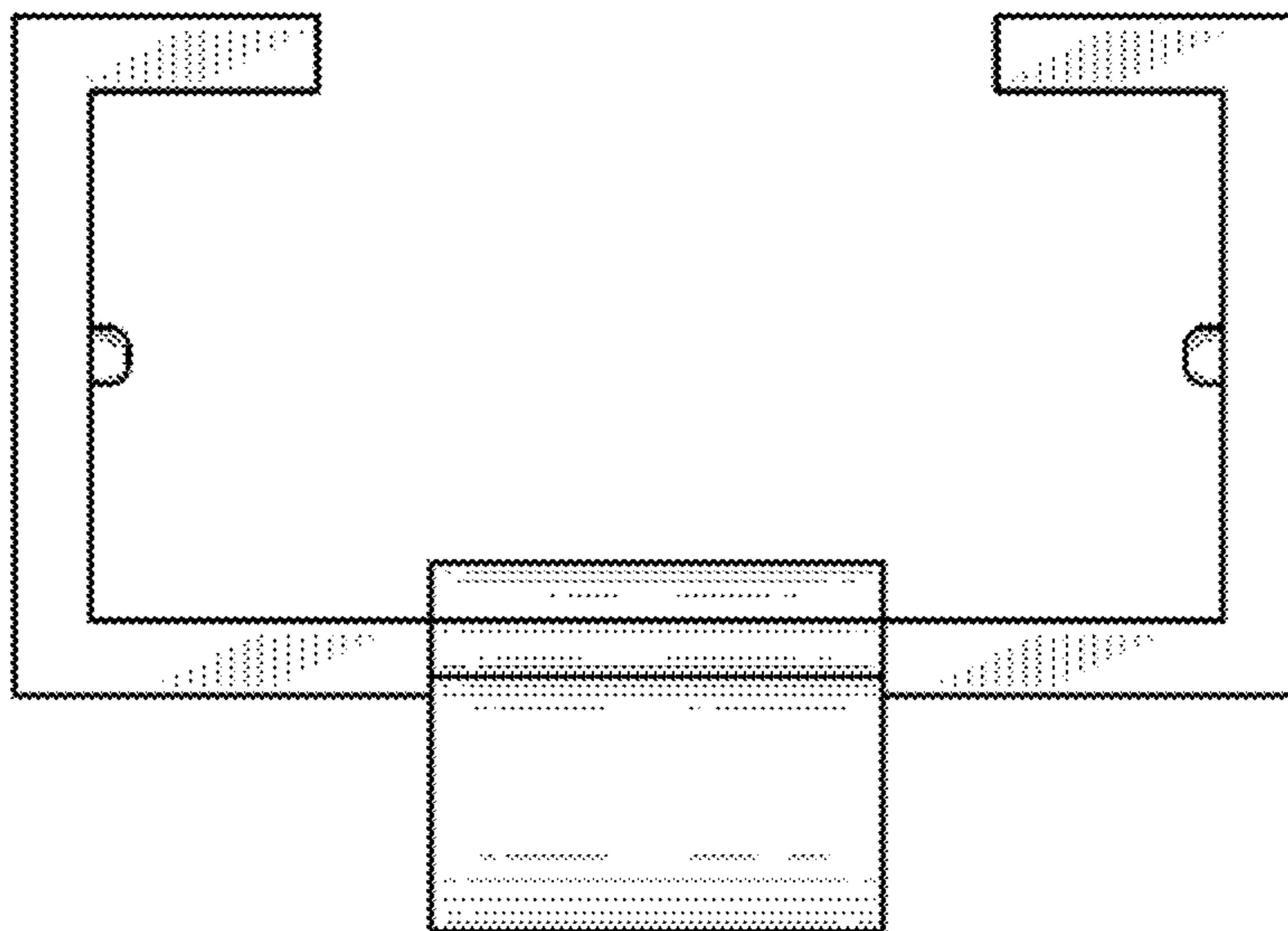


FIG. 8