



US00D902473S

(12) **United States Design Patent** (10) **Patent No.:** **US D902,473 S**
Li (45) **Date of Patent:** **** Nov. 17, 2020**

(54) **ELECTRONIC CIGARETTE**

(71) Applicant: **SHENZHEN SMOORE TECHNOLOGY LIMITED**, Guangdong (CN)

(72) Inventor: **Kui Li**, Guangdong (CN)

(73) Assignee: **SHENZHEN SMOORE TECHNOLOGY LIMITED**, Shenzhen (CN)

(**) Term: **15 Years**

(21) Appl. No.: **29/695,432**

(22) Filed: **Jun. 19, 2019**

(30) **Foreign Application Priority Data**

Jan. 21, 2019 (CN) 2019 3 0030717

(51) **LOC (12) Cl.** **27-01**

(52) **U.S. Cl.**
USPC **D27/101**

(58) **Field of Classification Search**
USPC D27/100, 101, 162, 163–169, 172–193,
D27/194; D23/355, 356, 359, 360;
D13/107

(Continued)

(56) **References Cited**

U.S. PATENT DOCUMENTS

D532,927 S * 11/2006 Sann D27/101
D779,719 S * 2/2017 Qiu D27/101

(Continued)

FOREIGN PATENT DOCUMENTS

CN 305639185 * 3/2020
CN 305673855 * 3/2020
CN 306048906 * 9/2020

OTHER PUBLICATIONS

Smooore Tech. by Smartkarma Daily Briefs. dated Jul. 31, 2019.
found online [Sep. 19, 2020] <https://www.smartkarma.com/home/>

daily-briefs/brief-growth-ideas-smooore-tech-%E9%Ba%A6%E5%85%8B%E9%9F%A6%E5%B0%94-ipo-hidden-e-cigarette-player-behind-the-feelm-technology-and-more/.*

Primary Examiner — Marissa J Cash

(74) *Attorney, Agent, or Firm* — Ladas & Parry LLP

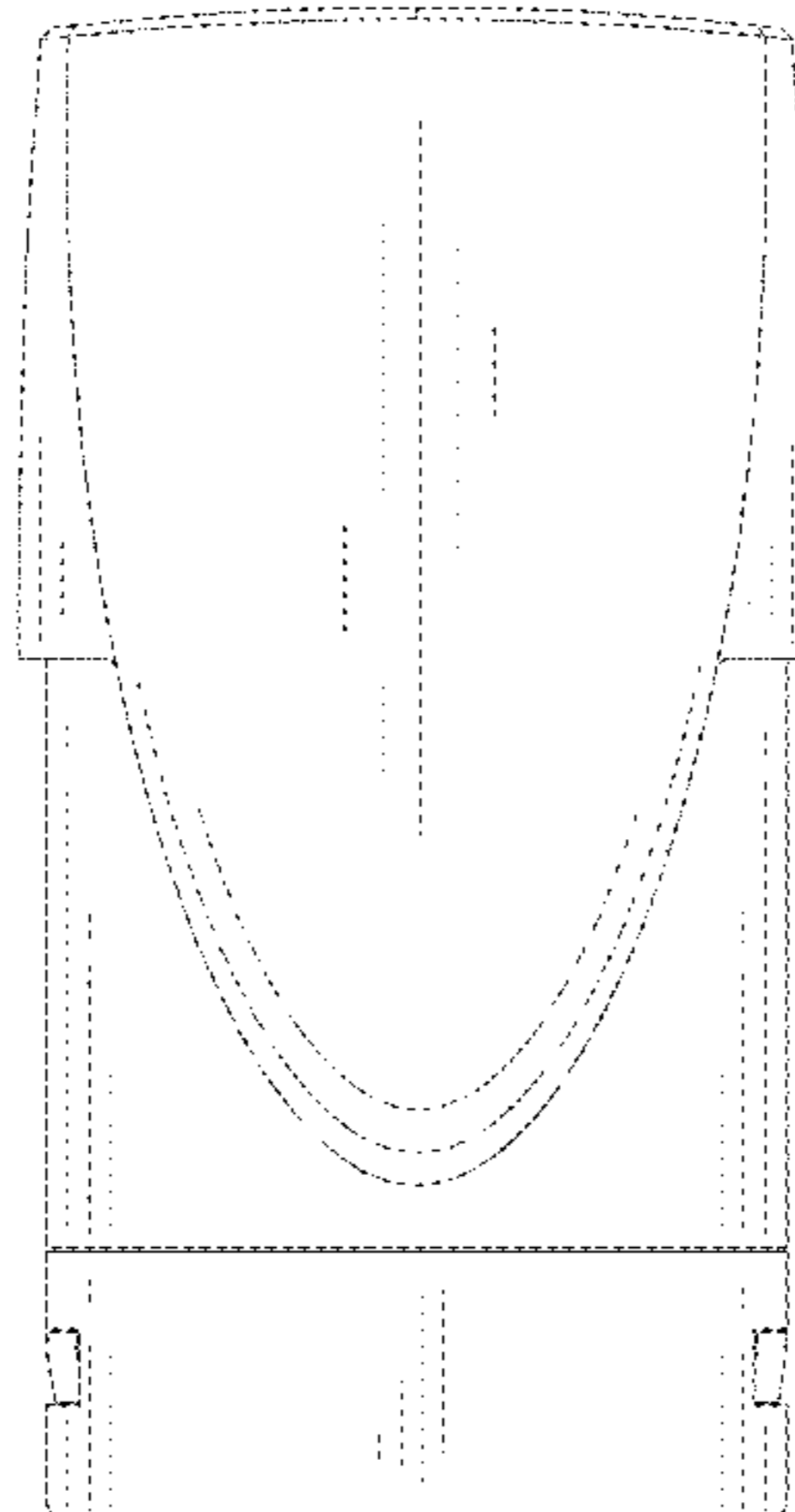
(57) **CLAIM**

The ornamental design for an electronic cigarette, a component **1** for the electronic cigarette, and a component **2** for the electronic cigarette, as shown and described.

DESCRIPTION

FIG. 1 is a front elevational view of a component **1** for an electronic cigarette showing my new design;
FIG. 2 is a rear elevational view thereof;
FIG. 3 is a left side elevational view thereof;
FIG. 4 is a right side elevational view thereof;
FIG. 5 is a top plan view thereof;
FIG. 6 is a bottom plan view thereof;
FIG. 7 is a front, right, and top perspective view thereof;
FIG. 8 is a rear, left, and bottom perspective view thereof;
FIG. 9 is a front elevational view of a component **2** for the electronic cigarette showing my new design;
FIG. 10 is a rear elevational view thereof;
FIG. 11 is a left side elevational view thereof;
FIG. 12 is a right side elevational view thereof;
FIG. 13 is a top plan view thereof;
FIG. 14 is a bottom plan view thereof;
FIG. 15 is a front, right, and top perspective view thereof;
FIG. 16 is a rear, left, and bottom perspective view thereof;
FIG. 17 is a front elevational view of the electronic cigarette showing my new design in a state where component **1** and component **2** combined;
FIG. 18 is a rear elevational view thereof;
FIG. 19 is a left side elevational view thereof;
FIG. 20 is a right side elevational view thereof;
FIG. 21 is a top plan view thereof;
FIG. 22 is a bottom plan view thereof;
FIG. 23 is a front, right, and top perspective view thereof;
and,
FIG. 24 is a rear, left, and bottom perspective view thereof.

(Continued)



The broken lines in the figures are included for the purpose of illustrating portions of the article which form no part of the claimed design.

1 Claim, 24 Drawing Sheets

(58) **Field of Classification Search**

CPC A24F 47/008; A24F 40/10; A24F 47/002;
A24F 15/12; A24F 47/006; A24F 40/00
See application file for complete search history.

(56) **References Cited**

U.S. PATENT DOCUMENTS

D792,643 S * 7/2017 Wong D27/101
D799,110 S * 10/2017 Qiu D27/101
D799,113 S * 10/2017 Qiu D27/101
D799,744 S * 10/2017 Qiu D27/101
D808,071 S * 1/2018 Folkerts D27/101
D813,447 S * 3/2018 Watson D27/162
D815,341 S * 4/2018 Qiu D27/101
D818,636 S * 5/2018 Qiu D27/101
D819,263 S * 5/2018 Zhu D27/101
D819,881 S * 6/2018 Qiu D27/101
9,986,764 B2 * 6/2018 Watson A24F 7/02
D825,102 S * 8/2018 Bowen D27/167
D825,834 S * 8/2018 Chen D27/101
D827,195 S * 8/2018 Chen D27/101
D829,371 S * 9/2018 Durand D27/101
D829,980 S * 10/2018 Qiu D27/162
D832,499 S * 10/2018 Qiu D27/162
D832,500 S * 10/2018 Qiu D27/162
10,104,915 B2 * 10/2018 Bowen A24F 40/42
D833,063 S * 11/2018 Qiu D27/101
D834,246 S * 11/2018 Qiu D27/162

D835,337 S * 12/2018 Beer D27/162
D837,446 S * 1/2019 Durand D27/101
10,292,436 B2 * 5/2019 Cirillo F23Q 3/006
D853,633 S * 7/2019 Zeng D27/162
D855,251 S * 7/2019 Qiu D27/162
D855,877 S * 8/2019 Folkerts D27/162
D859,735 S * 9/2019 Qiu D27/162
D861,239 S * 9/2019 Chen D27/101
D861,975 S * 10/2019 Bowen D27/162
D863,665 S * 10/2019 Huang D27/101
D863,674 S * 10/2019 Chang D27/162
D864,470 S * 10/2019 Huang D27/101
D864,474 S * 10/2019 Smith D27/162
D866,852 S * 11/2019 Cividi D27/101
D869,085 S * 12/2019 Campbell D27/162
D870,369 S * 12/2019 Greenbaum D27/162
D870,372 S * 12/2019 Zhu D27/167
D870,959 S * 12/2019 Leon Duque D27/162
D876,004 S * 2/2020 Wang D27/101
D877,971 S * 3/2020 Bowen D27/101
D877,976 S * 3/2020 Ding D27/162
D880,055 S * 3/2020 Luo D27/162
10,588,356 B2 * 3/2020 Harrison A24F 7/02
D881,457 S * 4/2020 Ouyang D27/162
10,609,962 B2 * 4/2020 Zhu A24F 40/50
10,631,576 B1 * 4/2020 Chen A24F 40/42
D885,654 S * 5/2020 Ding D27/162
D885,655 S * 5/2020 Ding D27/162
D885,656 S * 5/2020 Clough D27/162
D888,326 S * 6/2020 Qiu D27/101
D889,033 S * 6/2020 Murray D27/162
D890,418 S * 7/2020 Tasselli D27/163
D891,691 S * 7/2020 Chen D27/162
D891,692 S * 7/2020 Barbaric D27/162
10,721,973 B1 * 7/2020 Hermiz H05B 3/06
D892,397 S * 8/2020 Li D27/162
10,743,589 B1 * 8/2020 Hermiz H05B 3/06

* cited by examiner

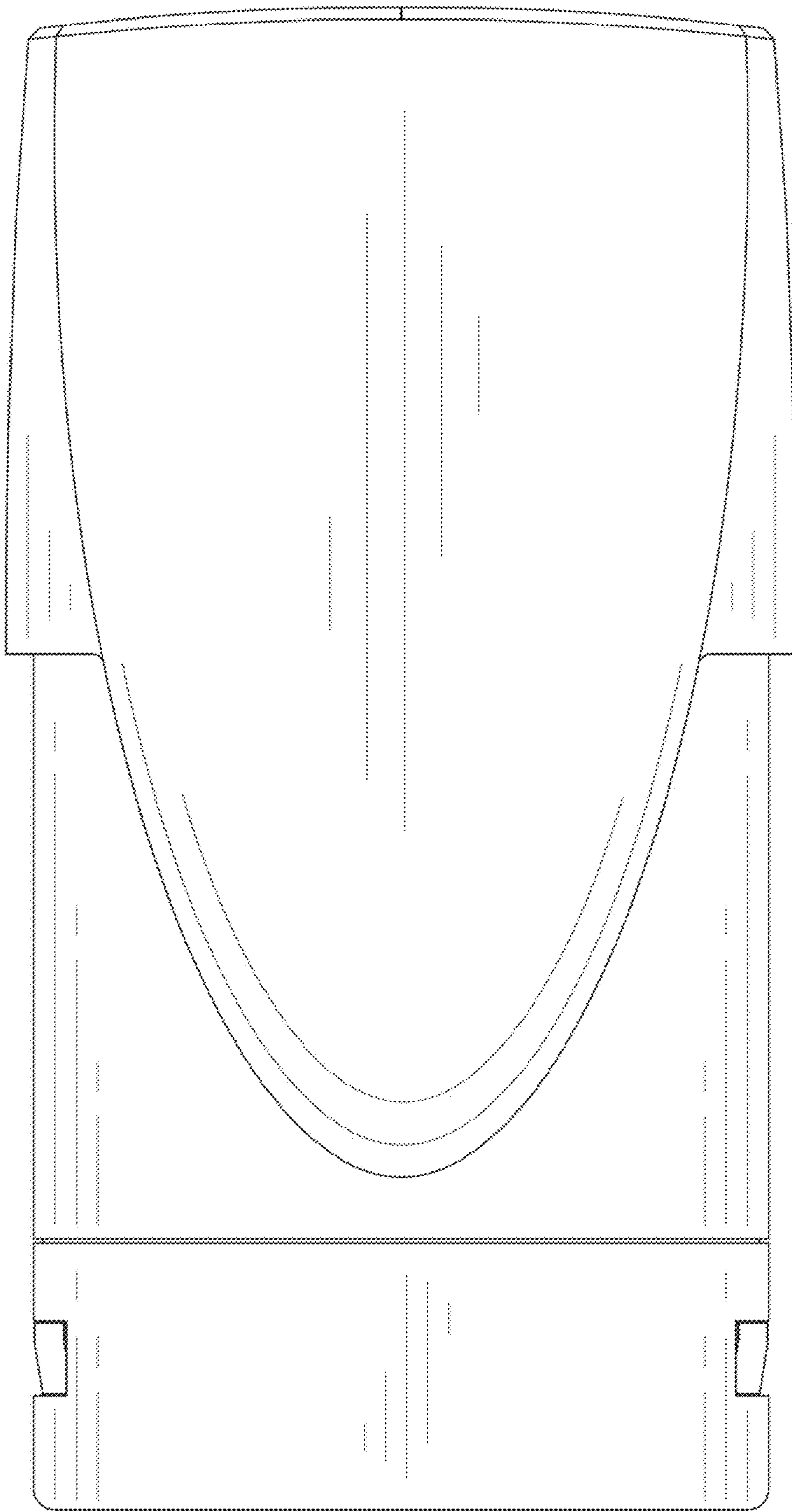


FIG. 1

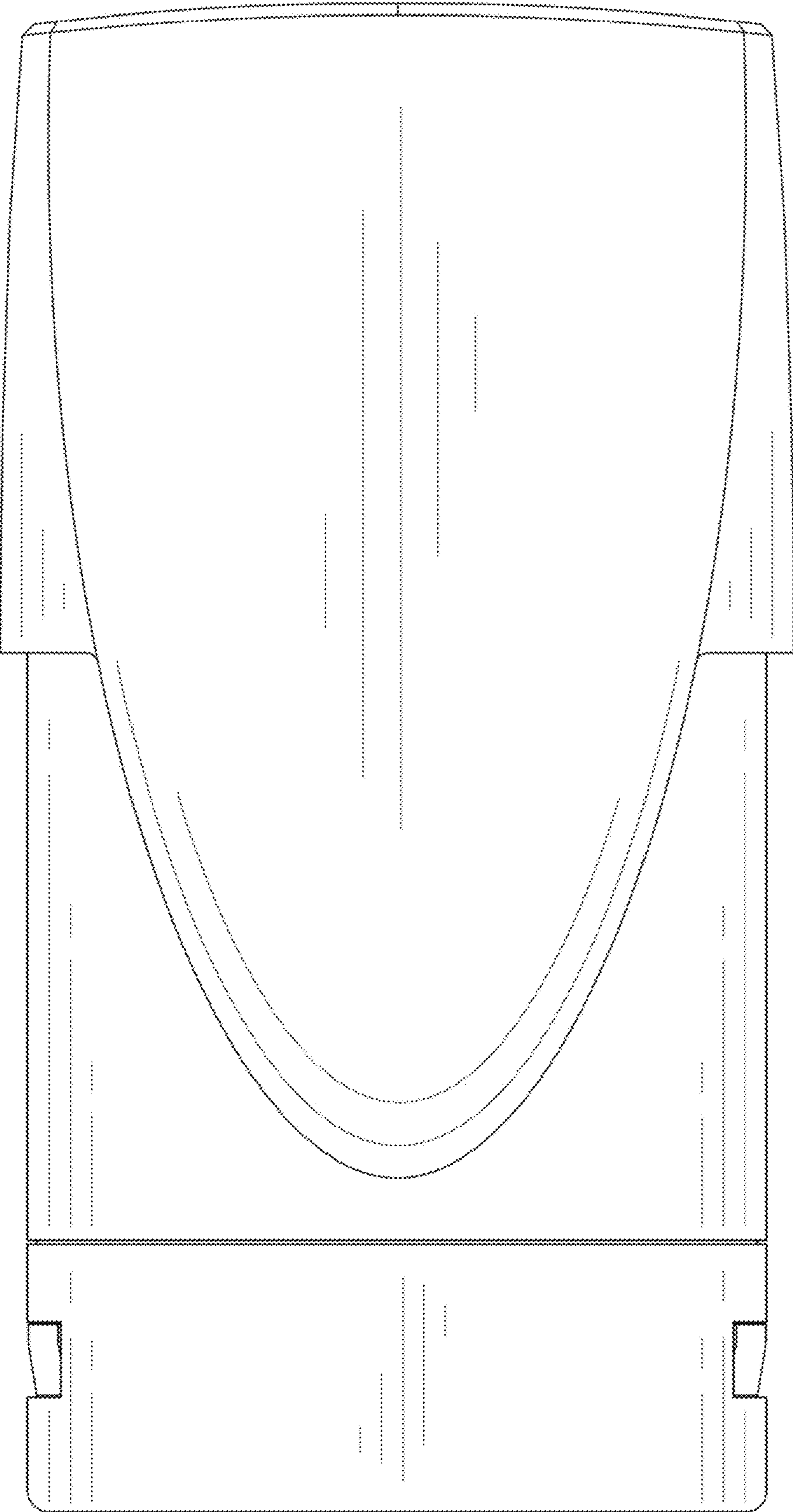


FIG. 2

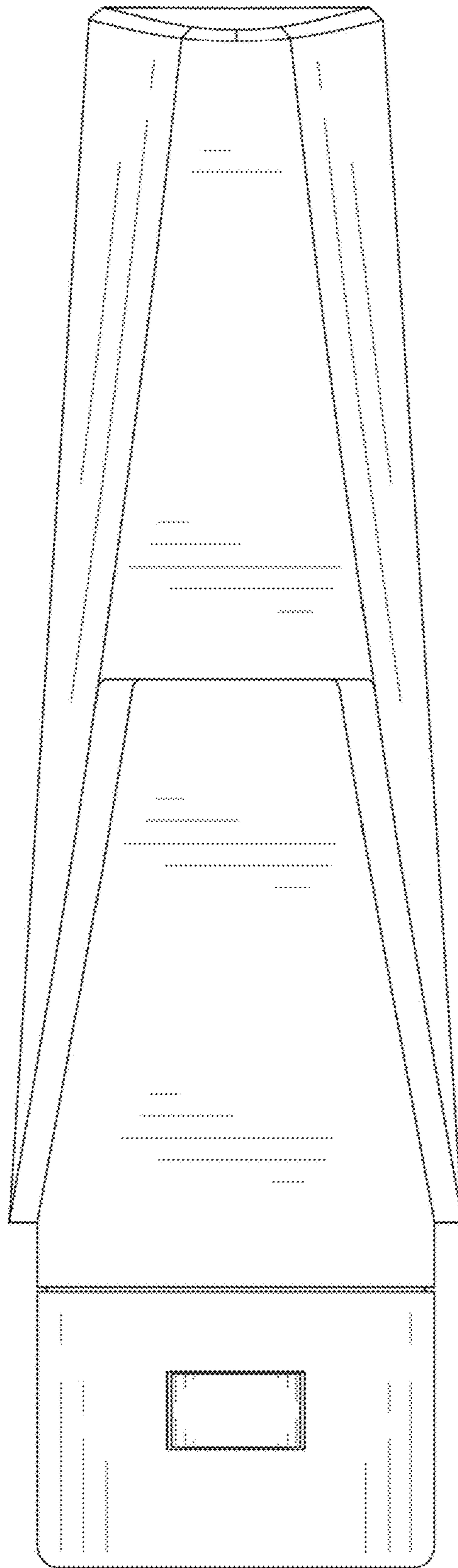


FIG. 3

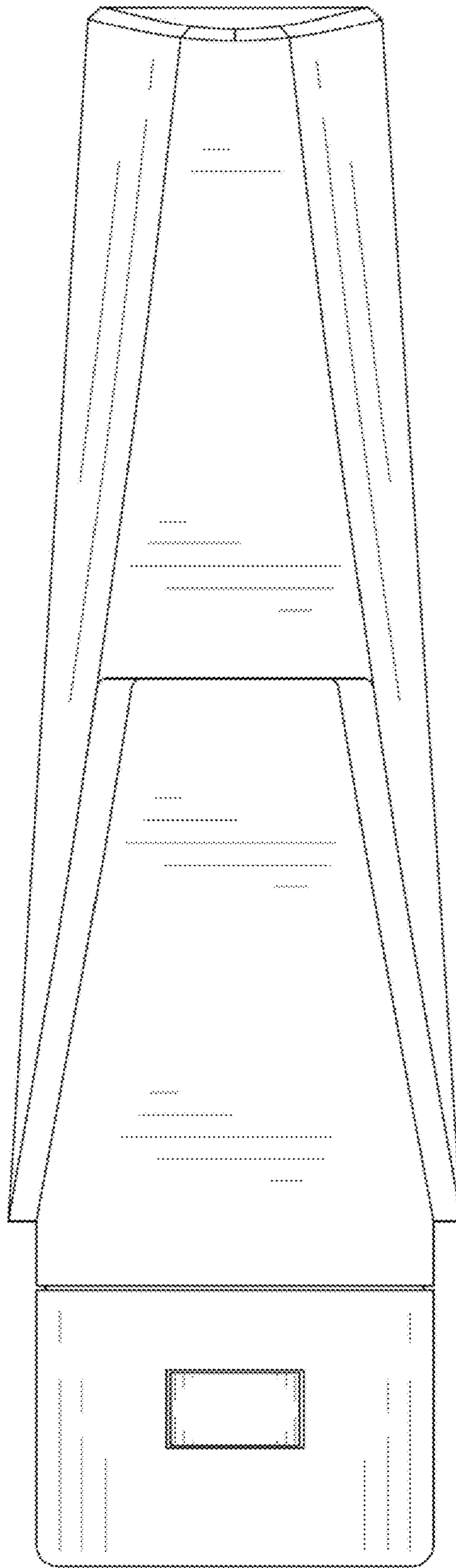


FIG. 4

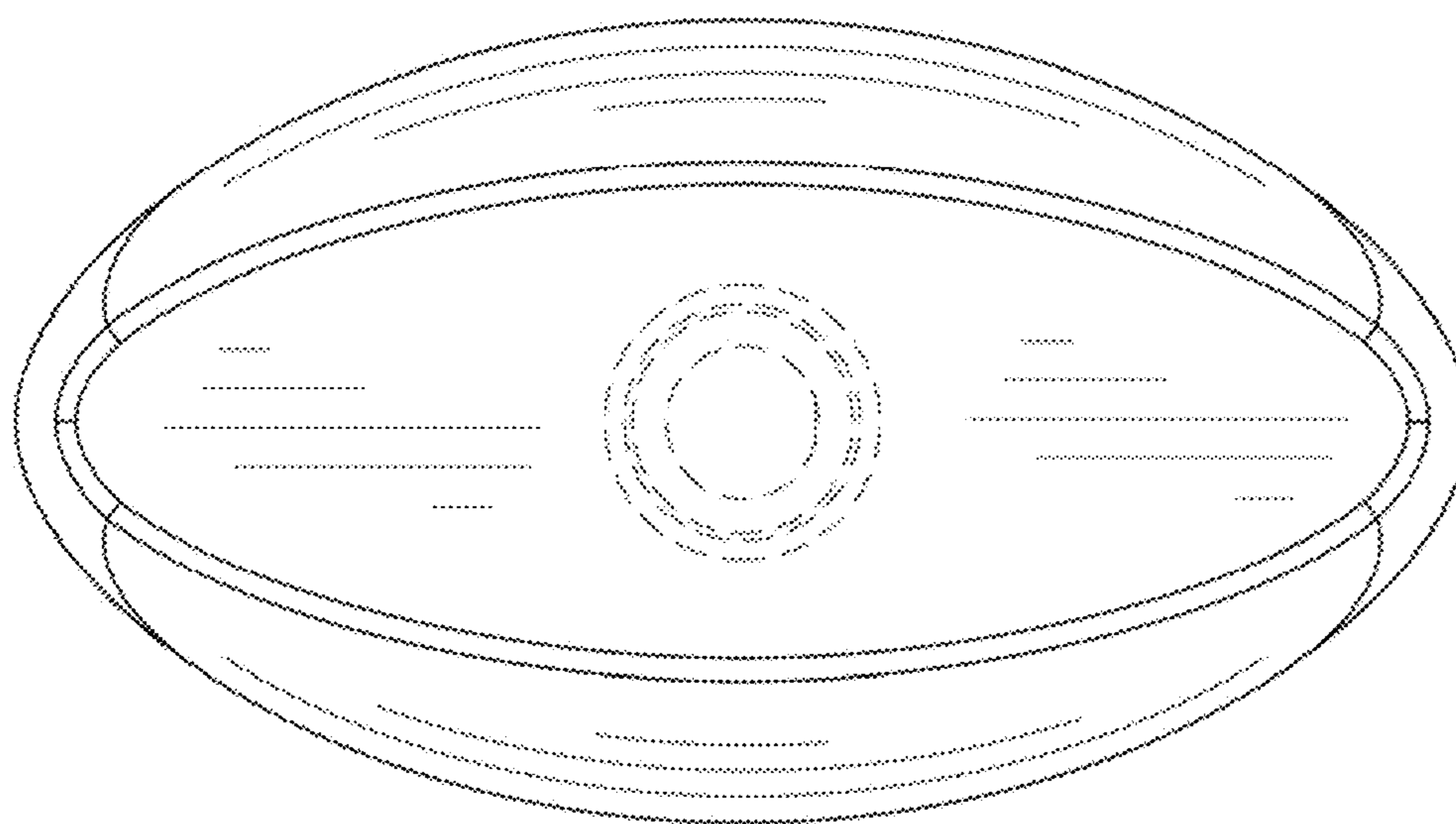


FIG. 5

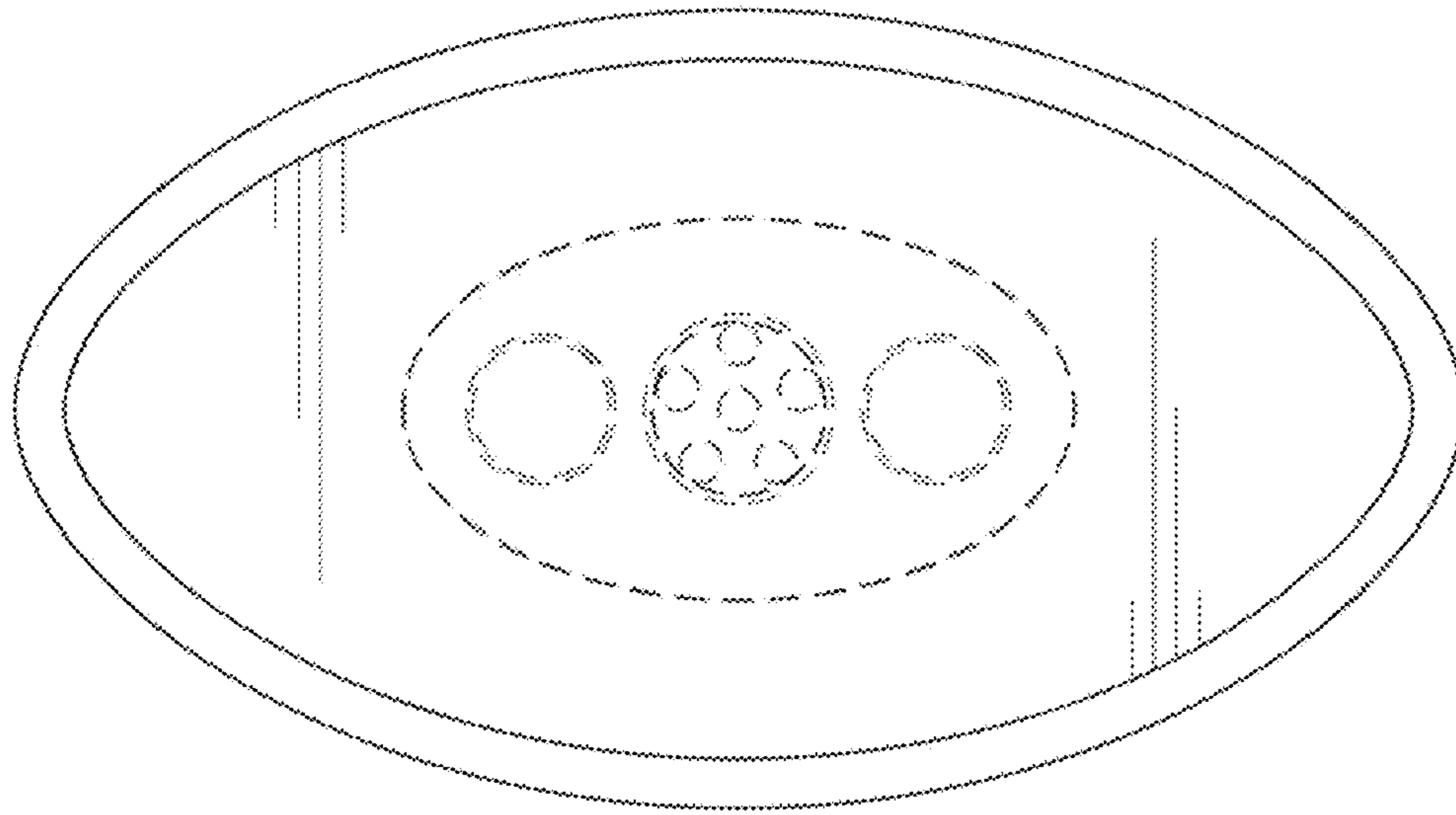


FIG. 6

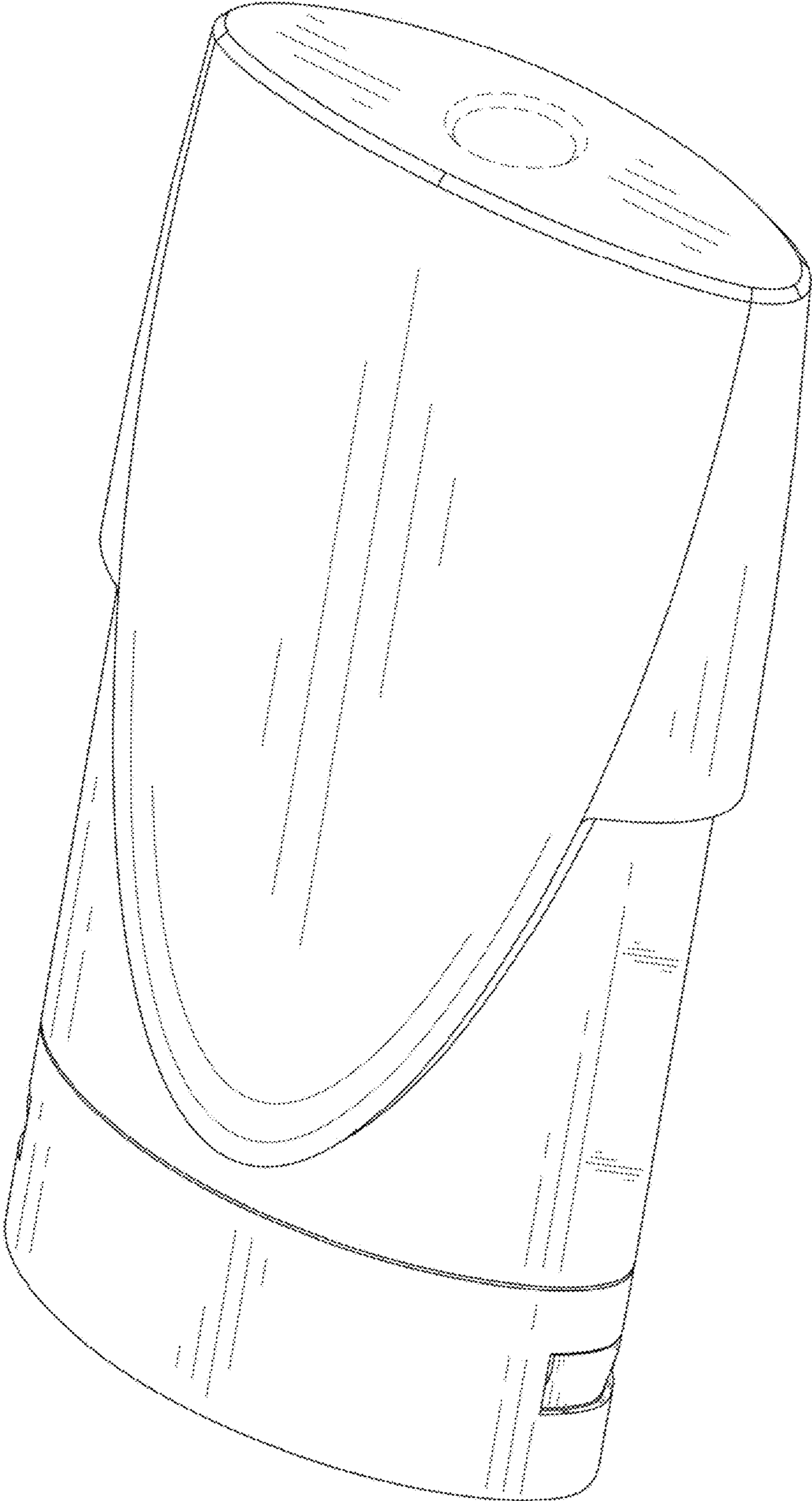


FIG. 7

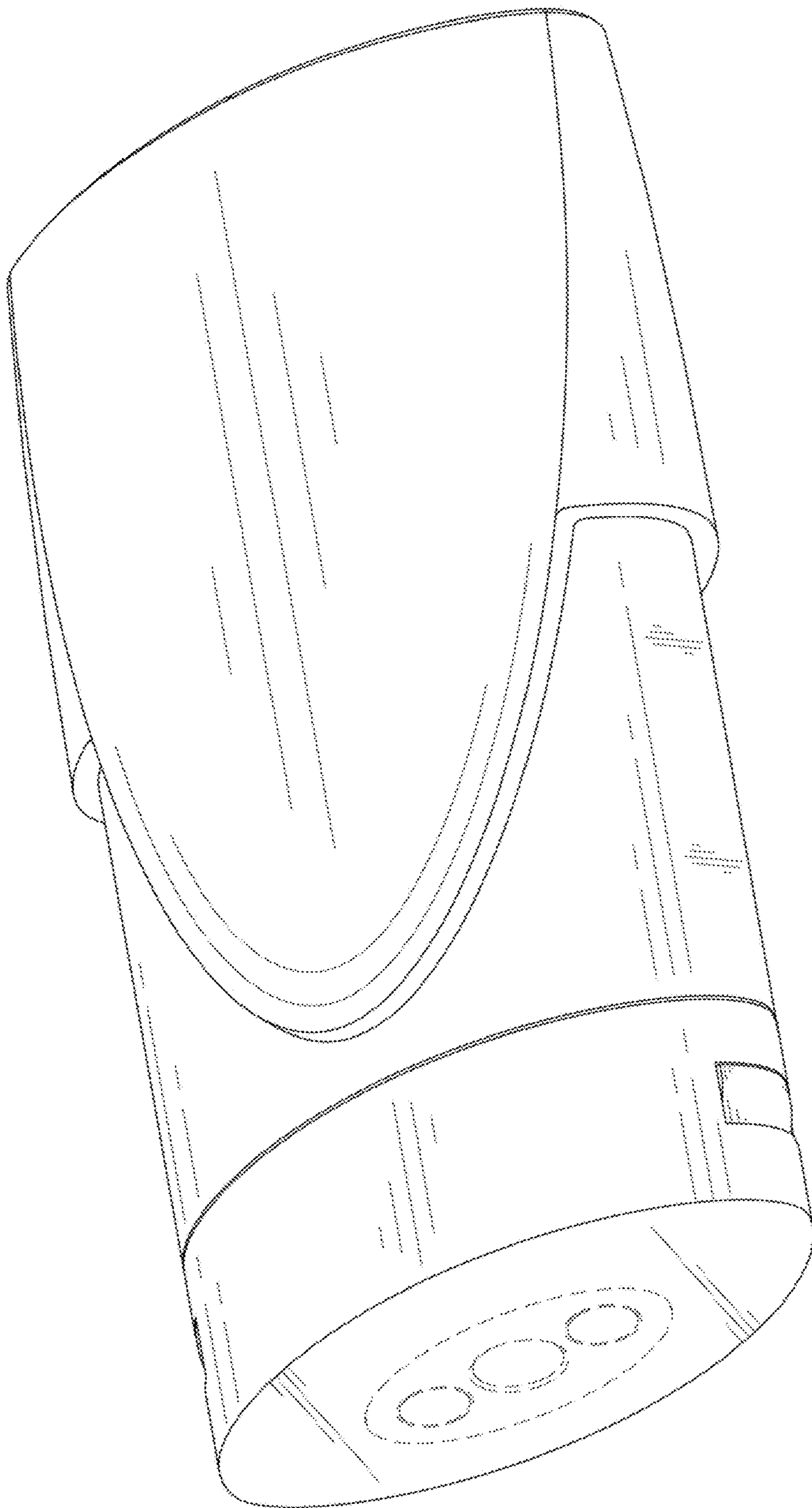


FIG. 8

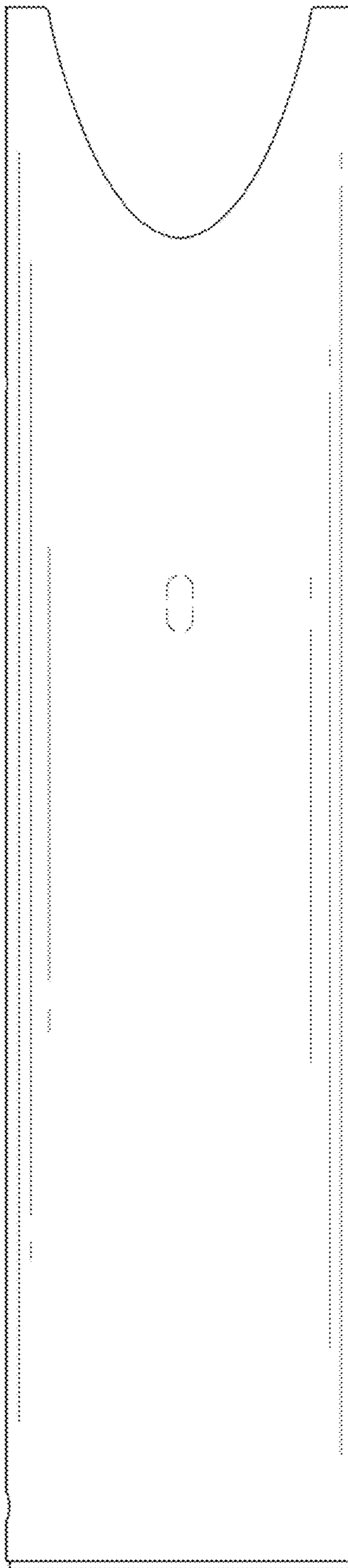


FIG. 9

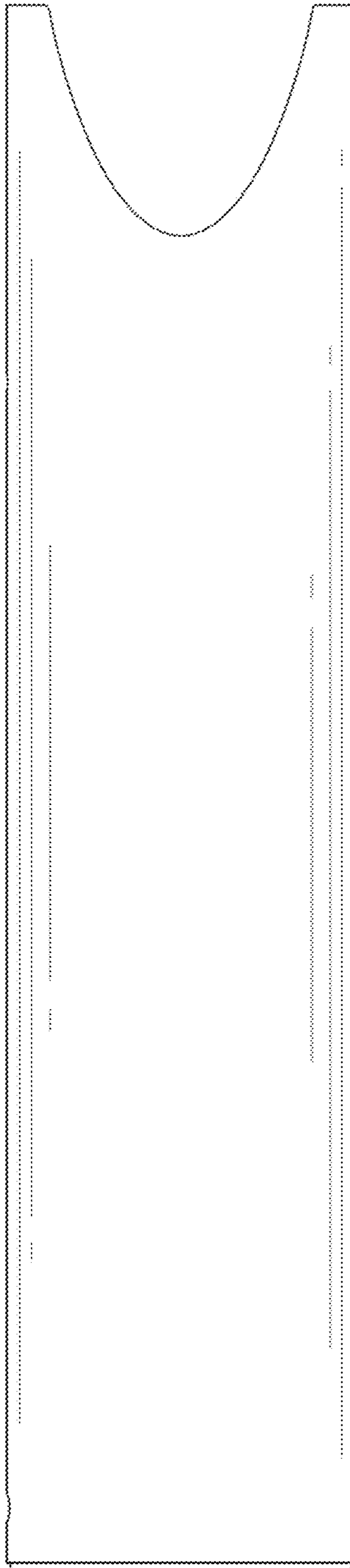


FIG. 10

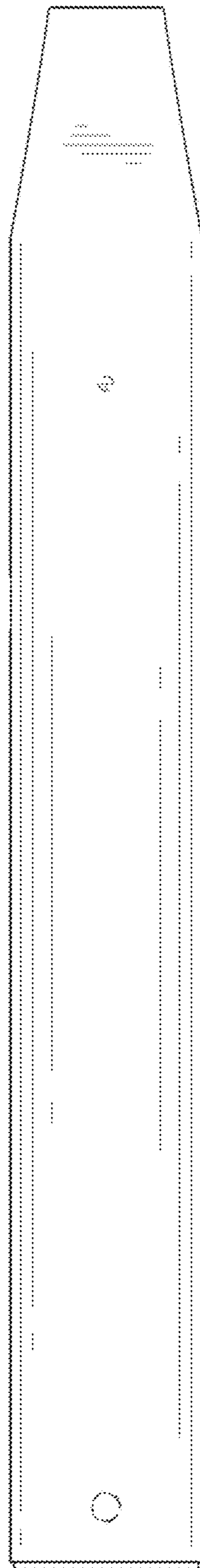


FIG. 11

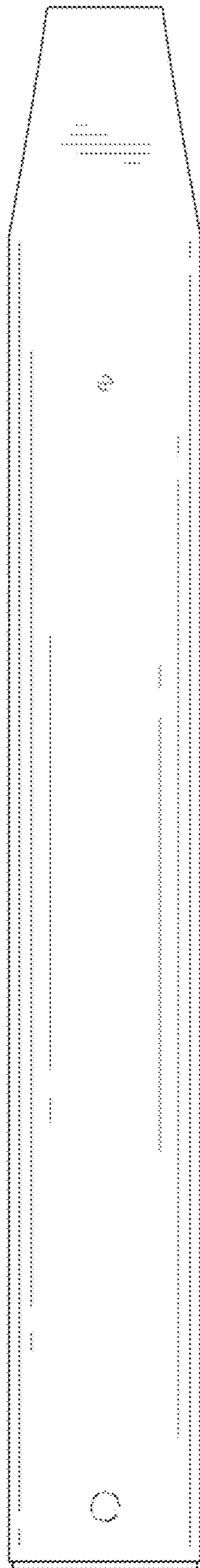


FIG. 12

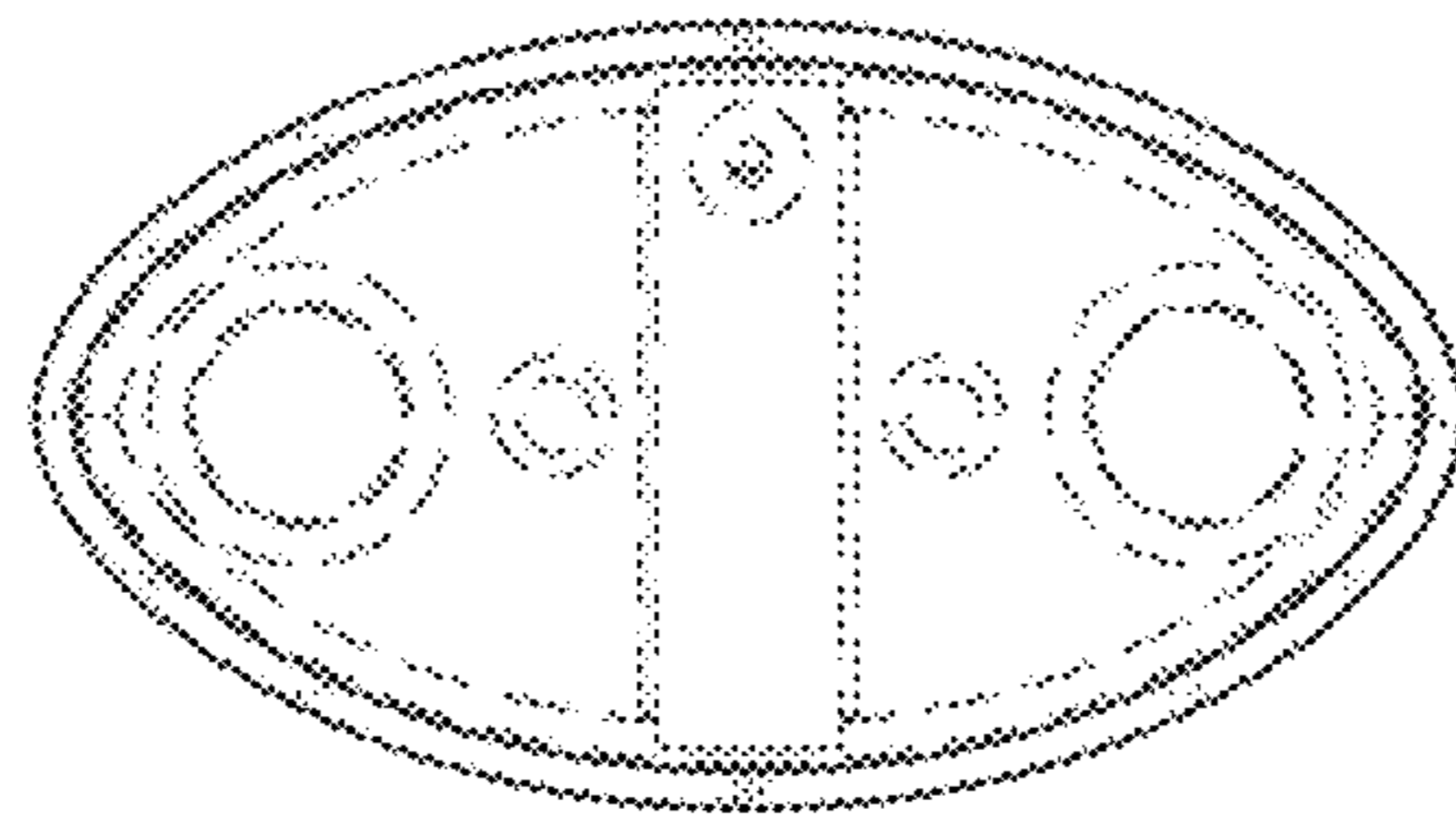


FIG. 13

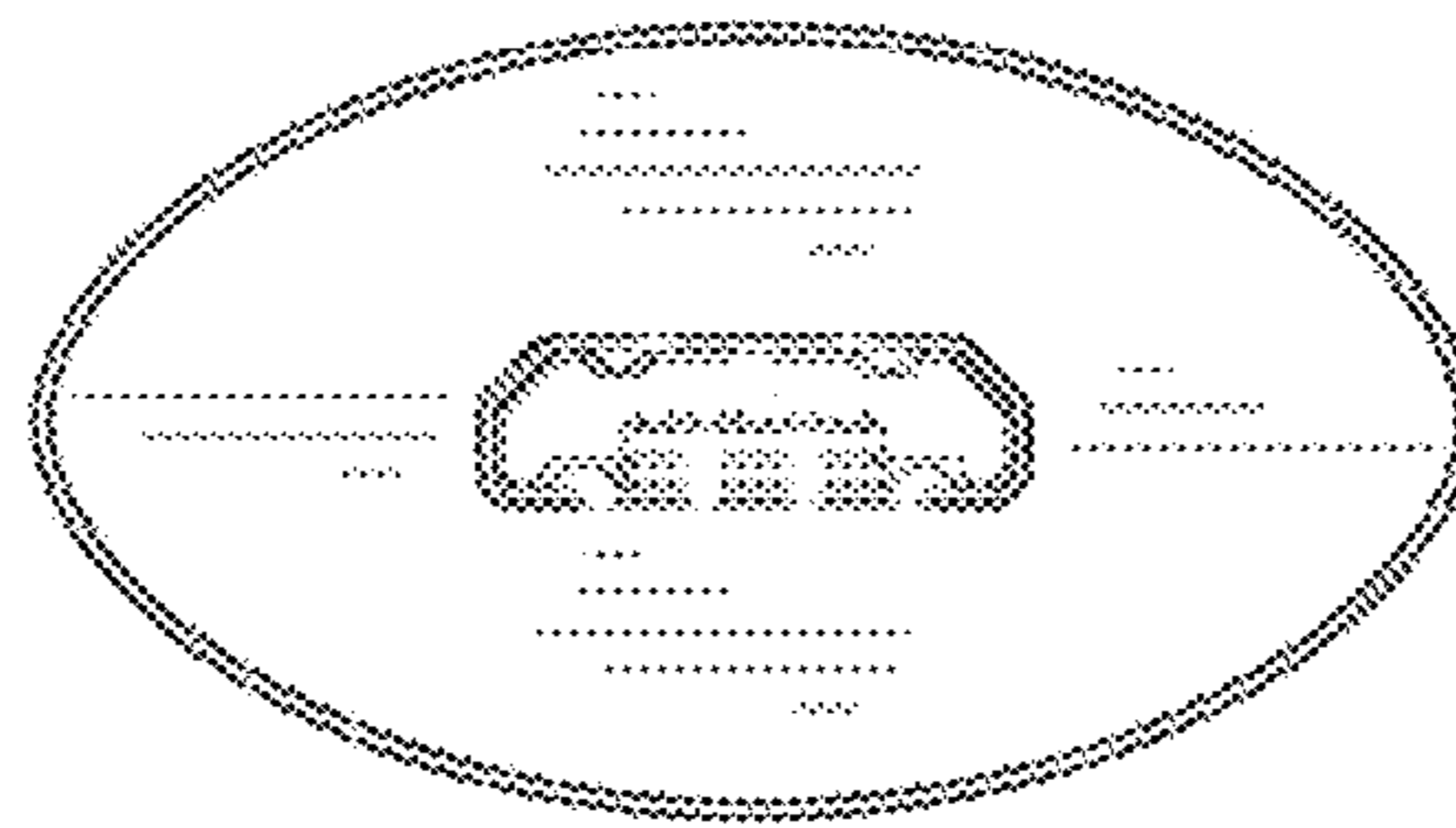


FIG. 14

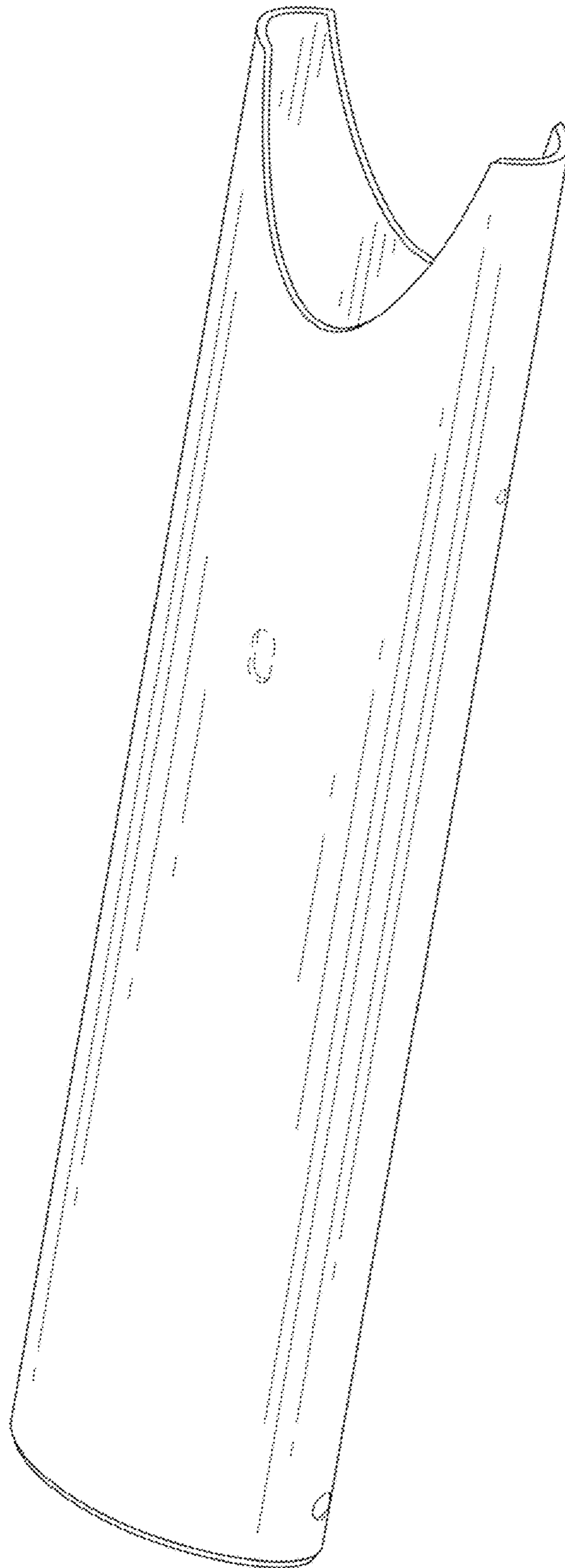


FIG. 15

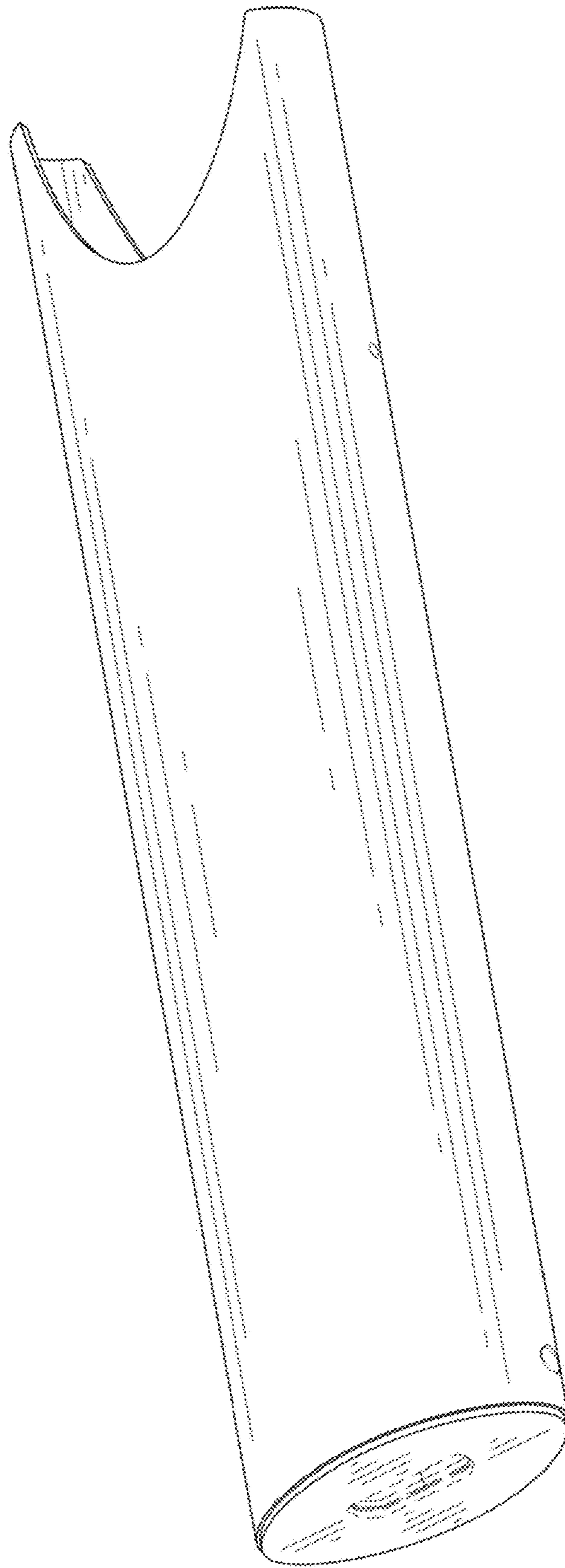


FIG. 16

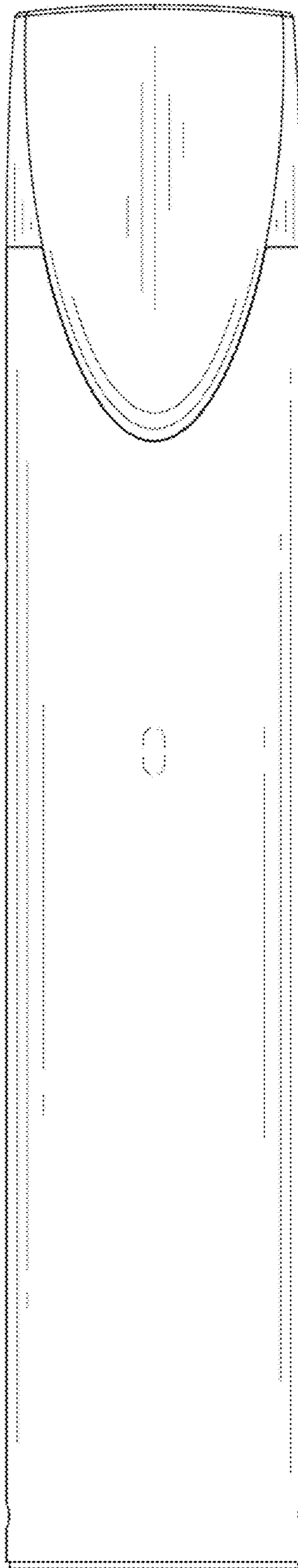


FIG. 17

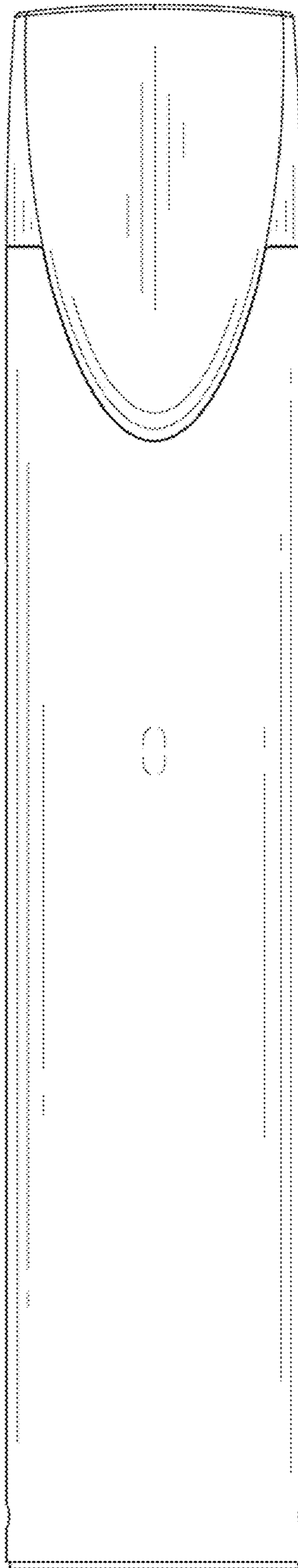


FIG. 18

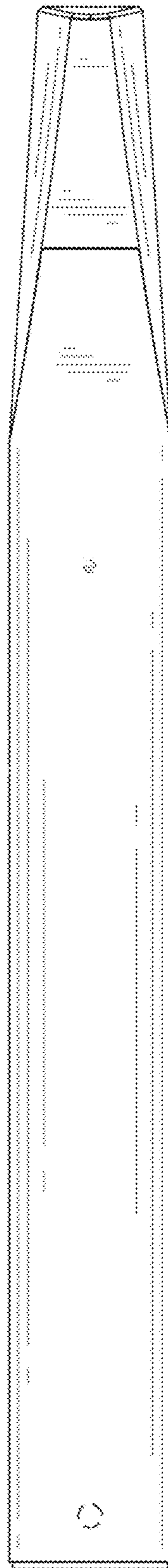


FIG. 19

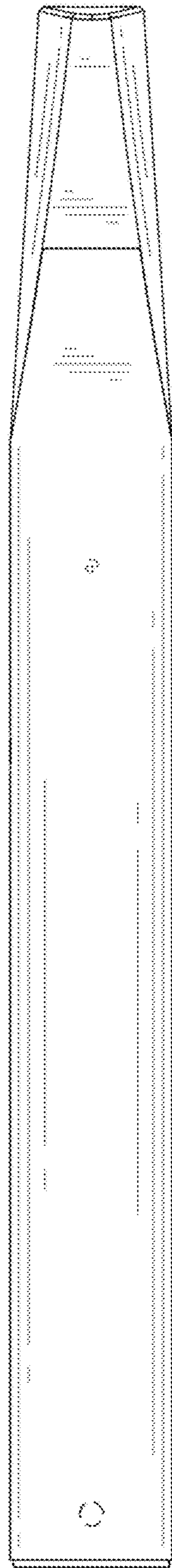


FIG. 20

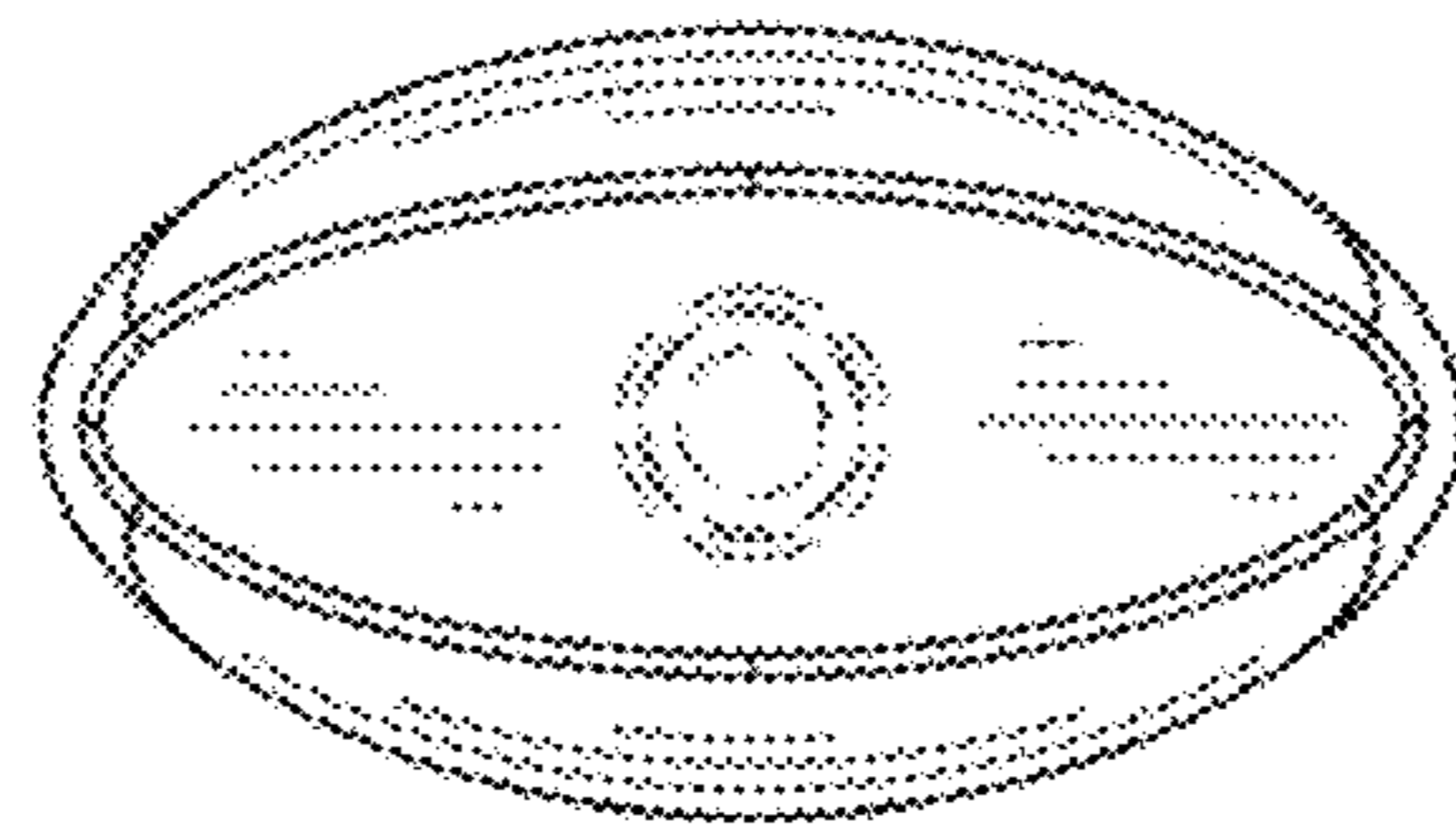


FIG. 21

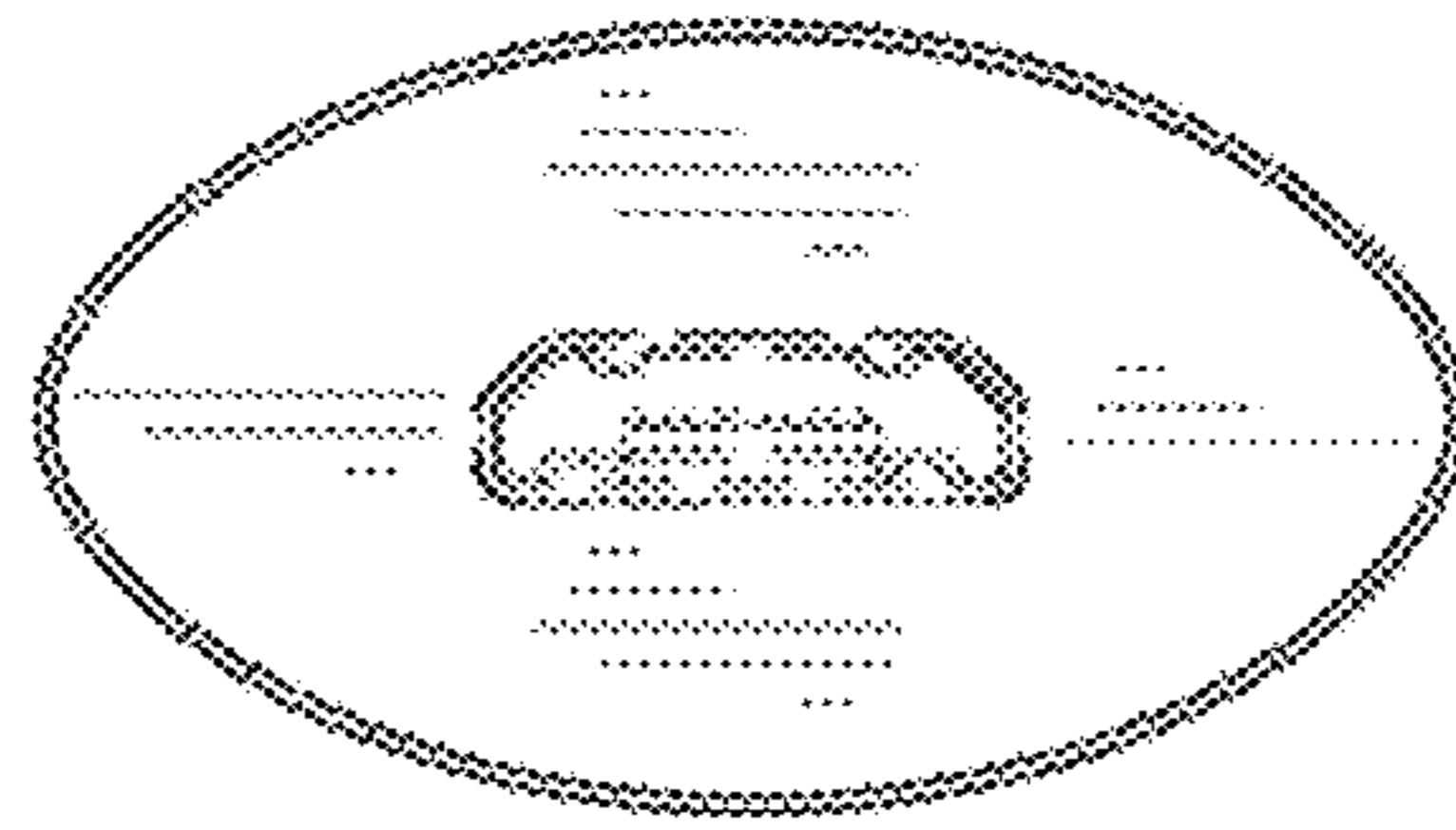


FIG. 22

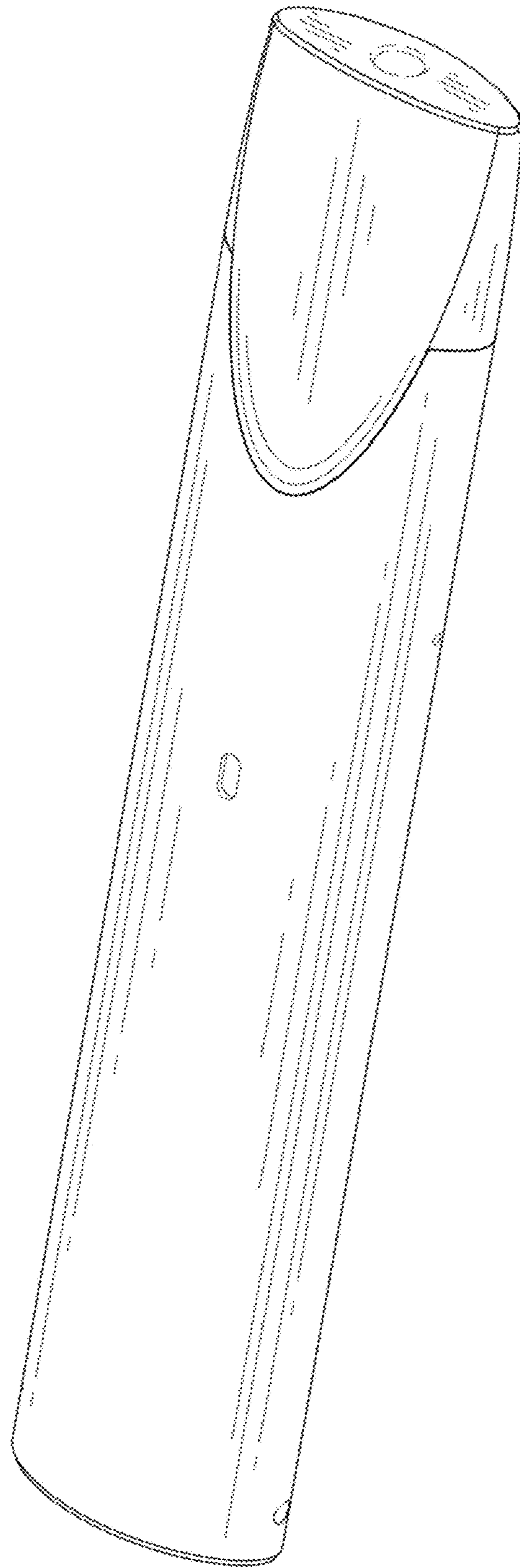


FIG. 23

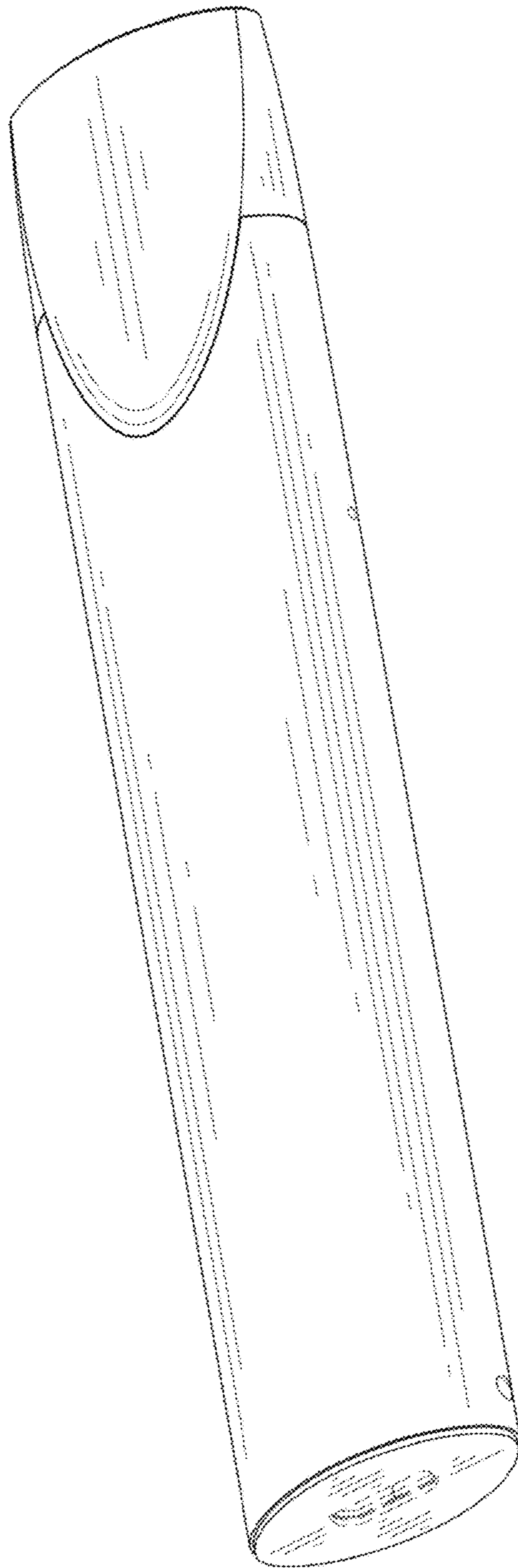


FIG. 24