



US00D902472S

(12) **United States Design Patent** (10) **Patent No.:** **US D902,472 S**
Richards et al. (45) **Date of Patent:** **** Nov. 17, 2020**

(54) **LIGHTING DEVICE**

(71) Applicant: **LDPI Inc.**, Eau Claire, WI (US)

(72) Inventors: **Jason Richards**, Eau Claire, WI (US);
Michael H. Ottum, Eau Claire, WI (US)

(73) Assignee: **LDPI Inc.**, Eau Claire, WI (US)

(**) Term: **15 Years**

(21) Appl. No.: **29/668,064**

(22) Filed: **Oct. 26, 2018**

(51) **LOC (12) Cl.** **26-05**

(52) **U.S. Cl.**
USPC **D26/120**

(58) **Field of Classification Search**
USPC D26/24, 28, 71, 83, 88, 89, 118, 120,
D26/139; D12/190, 195, 196
CPC F21V 15/00; F21V 15/01; F21V 15/012;
F21V 17/00; F21S 8/003; F21Y 2015/00;
F21Y 2015/10; G02B 6/0095
See application file for complete search history.

(56) **References Cited**

U.S. PATENT DOCUMENTS

D535,431 S *	1/2007	Roland	D26/118
D721,844 S *	1/2015	Lay	D26/71
D723,729 S *	3/2015	Maxik	F21K 9/60
				D26/89
D743,084 S *	11/2015	Lay	D26/71
D774,234 S *	12/2016	Plourde	D26/76

D812,799 S *	3/2018	Shundong	D26/72
2014/0247590 A1 *	9/2014	Wilcox	H05B 45/46
				362/231
2020/0018473 A1 *	1/2020	Jiang	F21V 29/83

* cited by examiner

Primary Examiner — Wan Laymon

Assistant Examiner — Clint A Samuel

(74) *Attorney, Agent, or Firm* — James A. Joyce; Godfrey & Kahn, S.C.

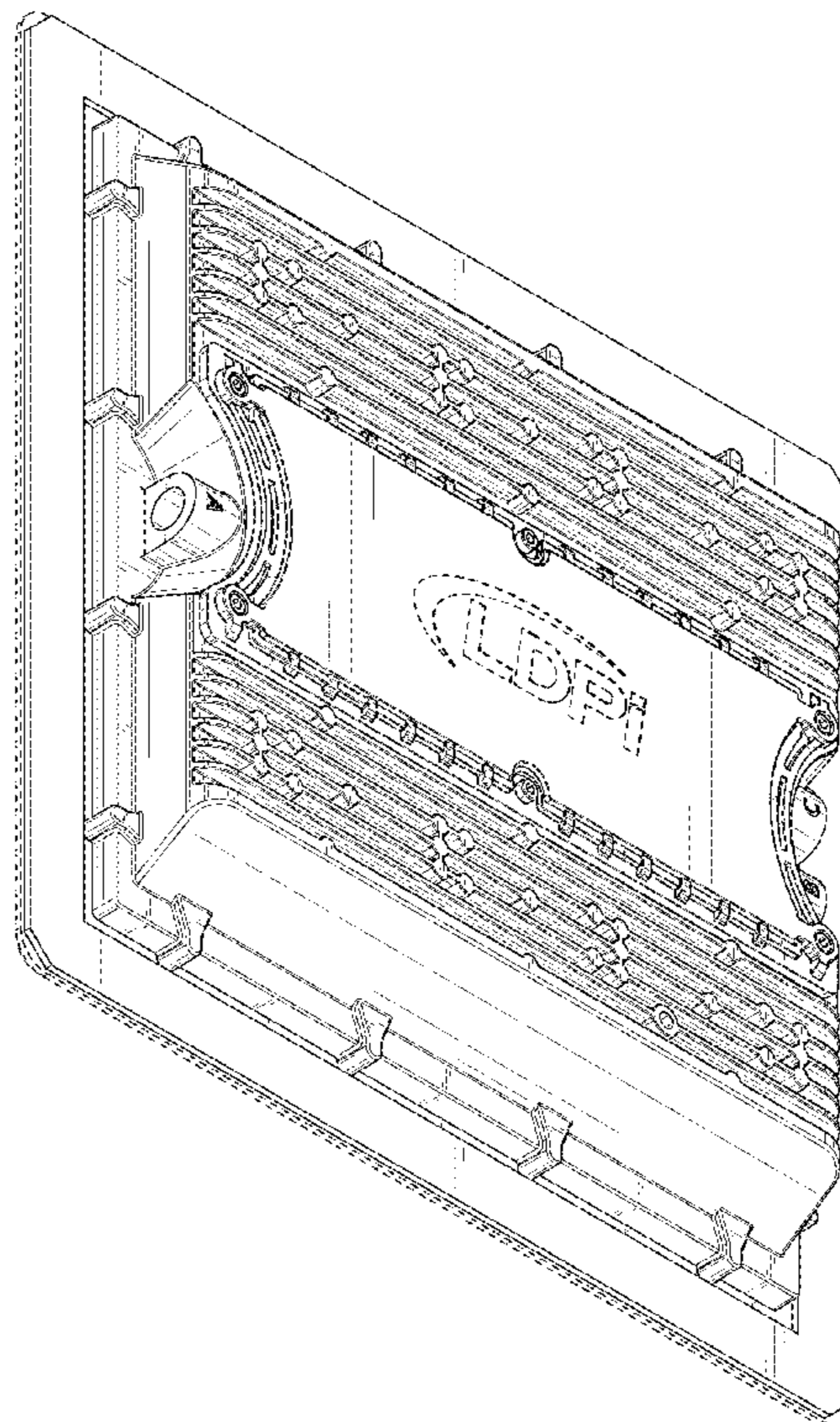
(57) **CLAIM**

We claim the ornamental design for a lighting device, as shown and described.

DESCRIPTION

FIG. 1 is a perspective view of the lighting device; FIG. 2 is a front view of the lighting device of FIG. 1; FIG. 3 is a rear view of the lighting device of FIG. 1; FIG. 4 is a right side elevation view of the lighting device of FIG. 1; FIG. 5 is a left side elevation view of the lighting device of FIG. 1; FIG. 6 is a top view of the lighting device of FIG. 1; and, FIG. 7 is a bottom view of the lighting device of FIG. 1. The broken lines showing in the drawings are included for the purpose of illustrating unclaimed portions of the lighting device and form no part of the claimed design.

1 Claim, 5 Drawing Sheets



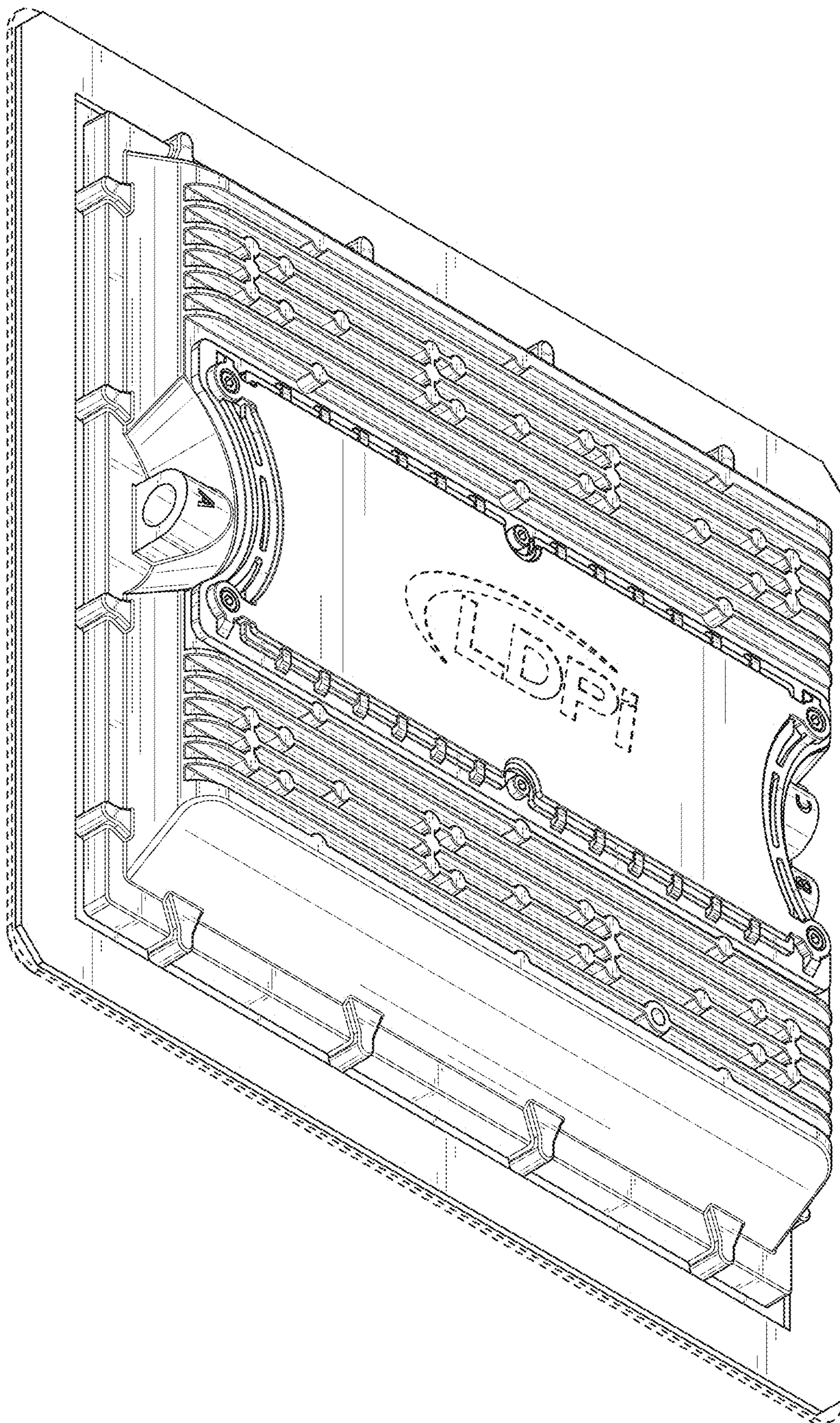


FIG. 1

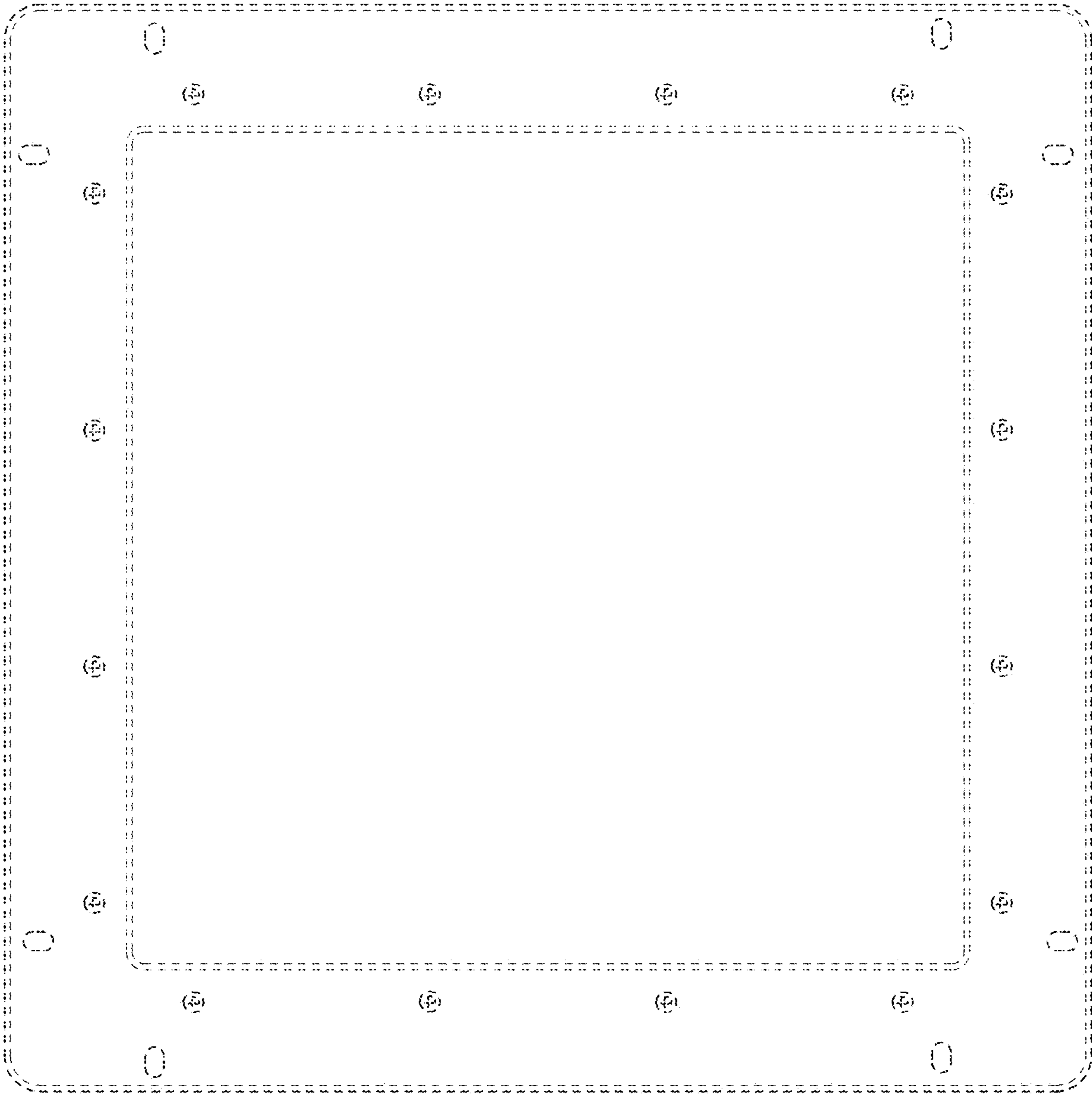


FIG. 2

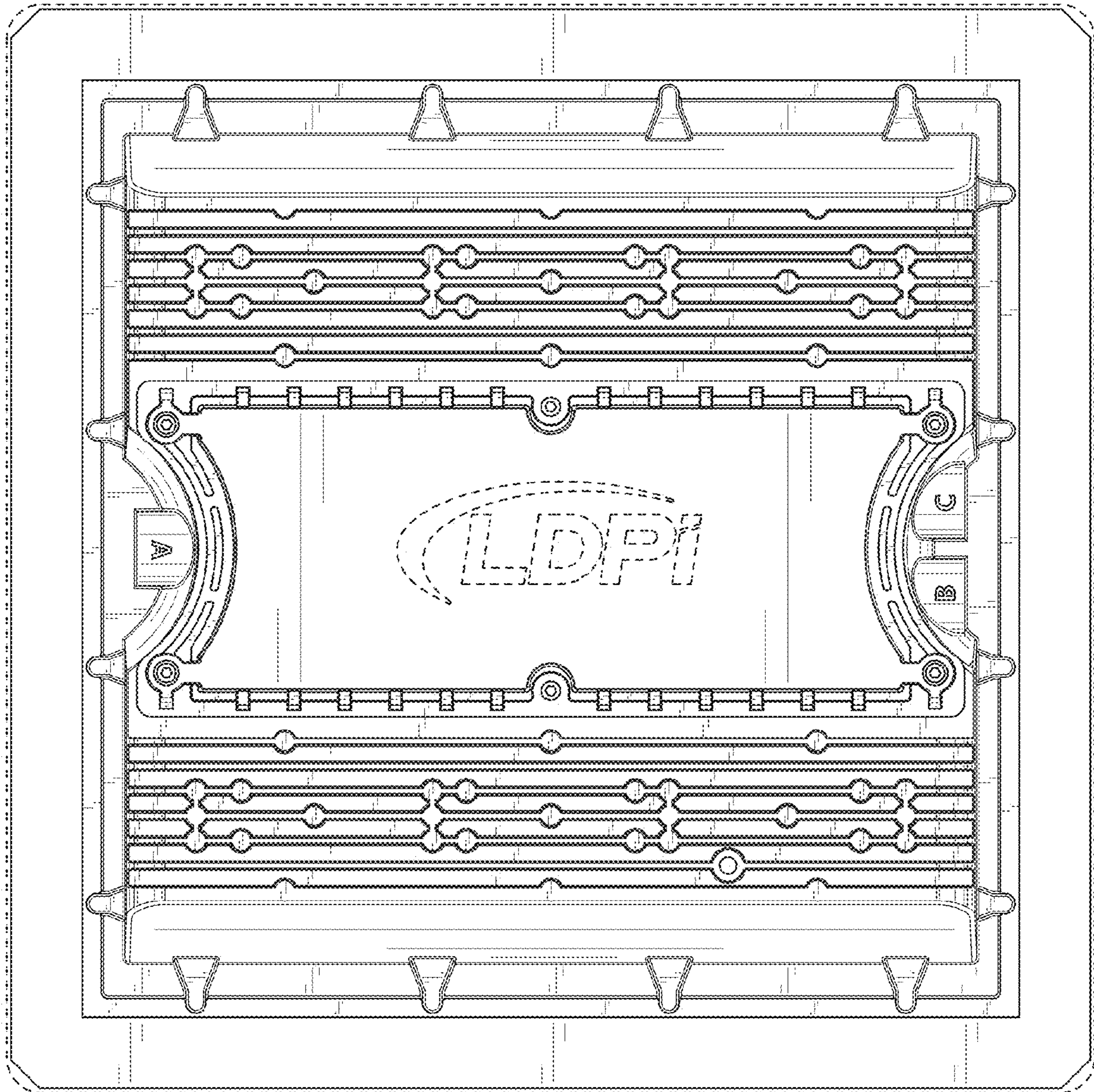


FIG. 3

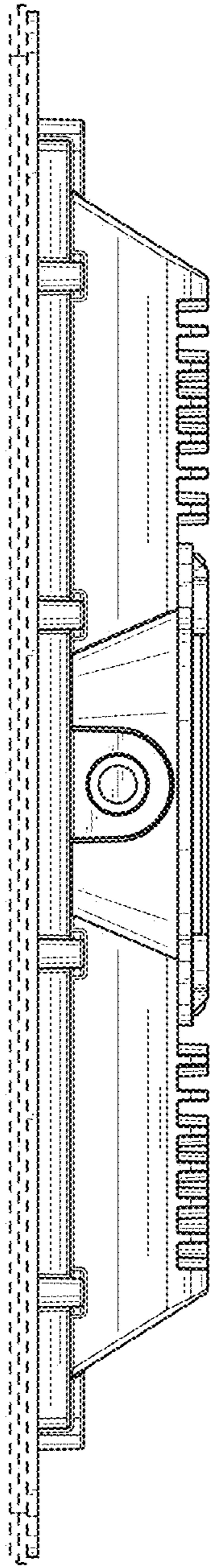


FIG. 4

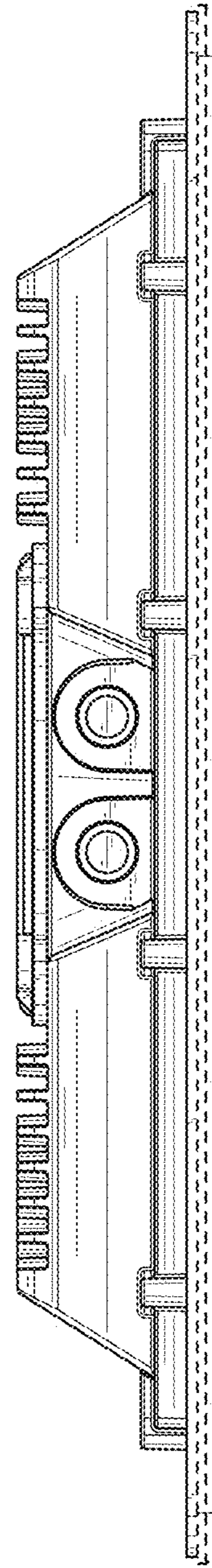


FIG. 5

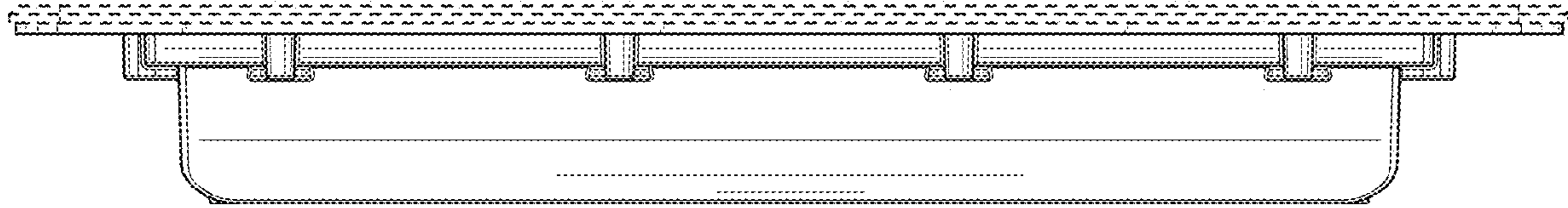


FIG. 6



FIG. 7