



US00D902470S

(12) **United States Design Patent**
Pan

(10) **Patent No.:** **US D902,470 S**

(45) **Date of Patent:** **** Nov. 17, 2020**

(54) **LED LAMP**

(71) Applicant: **SHENZHEN SNC OPTO ELECTRONIC CO., LTD.**, Shenzhen (CN)

(72) Inventor: **Nianhua Pan**, Shenzhen (CN)

(73) Assignee: **SHENZHEN SNC OPTO ELECTRONIC CO., LTD.**, Shenzhen (CN)

(**) Term: **15 Years**

(21) Appl. No.: **29/687,756**

(22) Filed: **Apr. 15, 2019**

(51) **LOC (12) Cl.** **26-05**

(52) **U.S. Cl.**
USPC **D26/89**

(58) **Field of Classification Search**
USPC D26/24, 72, 74, 75-78, 81-92, 118, 122, D26/142, 149; D13/134; D10/111-115
CPC F21V 23/003; F21V 23/023; F21V 29/71; F21V 29/713; F21V 29/717; F21V 29/73; F21V 29/74; F21V 29/745; F21V 29/75; F21V 29/76; F21Y 2115/10

See application file for complete search history.

(56) **References Cited**

U.S. PATENT DOCUMENTS

D624,686	S	*	9/2010	Toney, Jr.	D26/72
D635,238	S	*	3/2011	Zakula	D23/388
D783,884	S	*	4/2017	Li	D26/89
D785,225	S	*	4/2017	Gan	D26/72
D812,799	S	*	3/2018	Shundong	D26/72
D824,073	S	*	7/2018	Guo	D26/74
D841,871	S	*	2/2019	Zhu	D26/89
D854,723	S	*	7/2019	Zou	D26/74
D877,967	S	*	3/2020	Yu	D26/122

D884,869	S	*	5/2020	Jonas	D23/385
2011/0110081	A1	*	5/2011	Belknap	F21V 11/14 362/235
2012/0057351	A1	*	3/2012	Wilcox	F21V 27/02 362/307

FOREIGN PATENT DOCUMENTS

CN 203115856 U * 8/2013

OTHER PUBLICATIONS

LED Canopy Lights (available online) Retrieved from the internet Sep. 10, 2020 from URL : <https://www.superbrightleds.com/moreinfo/canopy-lights/led-canopy-lights-dimmable-5000k-surface-mount-or-conduit-install-55w-175w-mh-equivalent-6600-lumens/4614/10357/>.*

* cited by examiner

Primary Examiner — Kevin K Rudzinski

Assistant Examiner — Richard Kearney

(57) **CLAIM**

The ornamental design for an LED lamp, as shown and described.

DESCRIPTION

FIG. 1 is a front perspective view of an LED lamp showing my new design;

FIG. 2 is a rear perspective view thereof;

FIG. 3 is a front elevational view thereof;

FIG. 4 is a rear elevational view thereof;

FIG. 5 is a left side elevational view thereof;

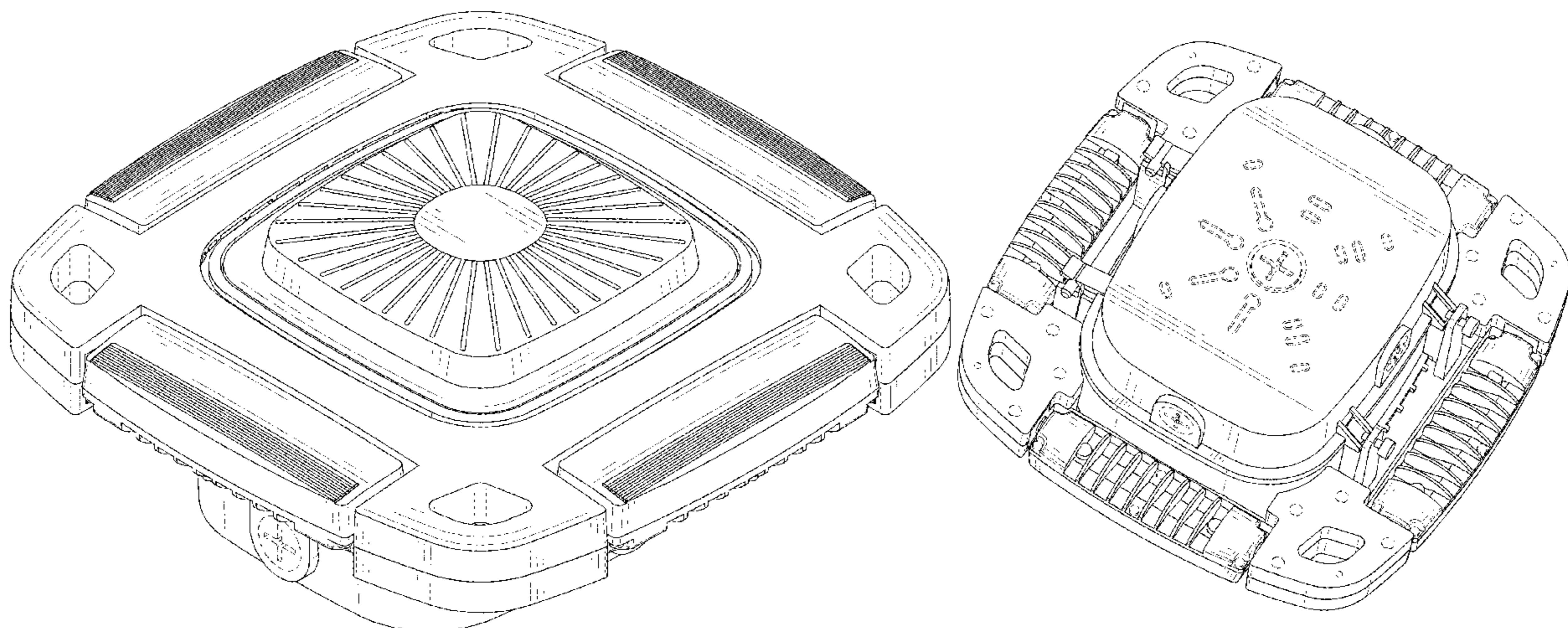
FIG. 6 is a right side elevational view thereof;

FIG. 7 is a top plan view thereof; and,

FIG. 8 is a bottom plan view thereof.

The broken lines in the drawings depict portions of the LED lamp that form no part of the claimed design.

1 Claim, 8 Drawing Sheets



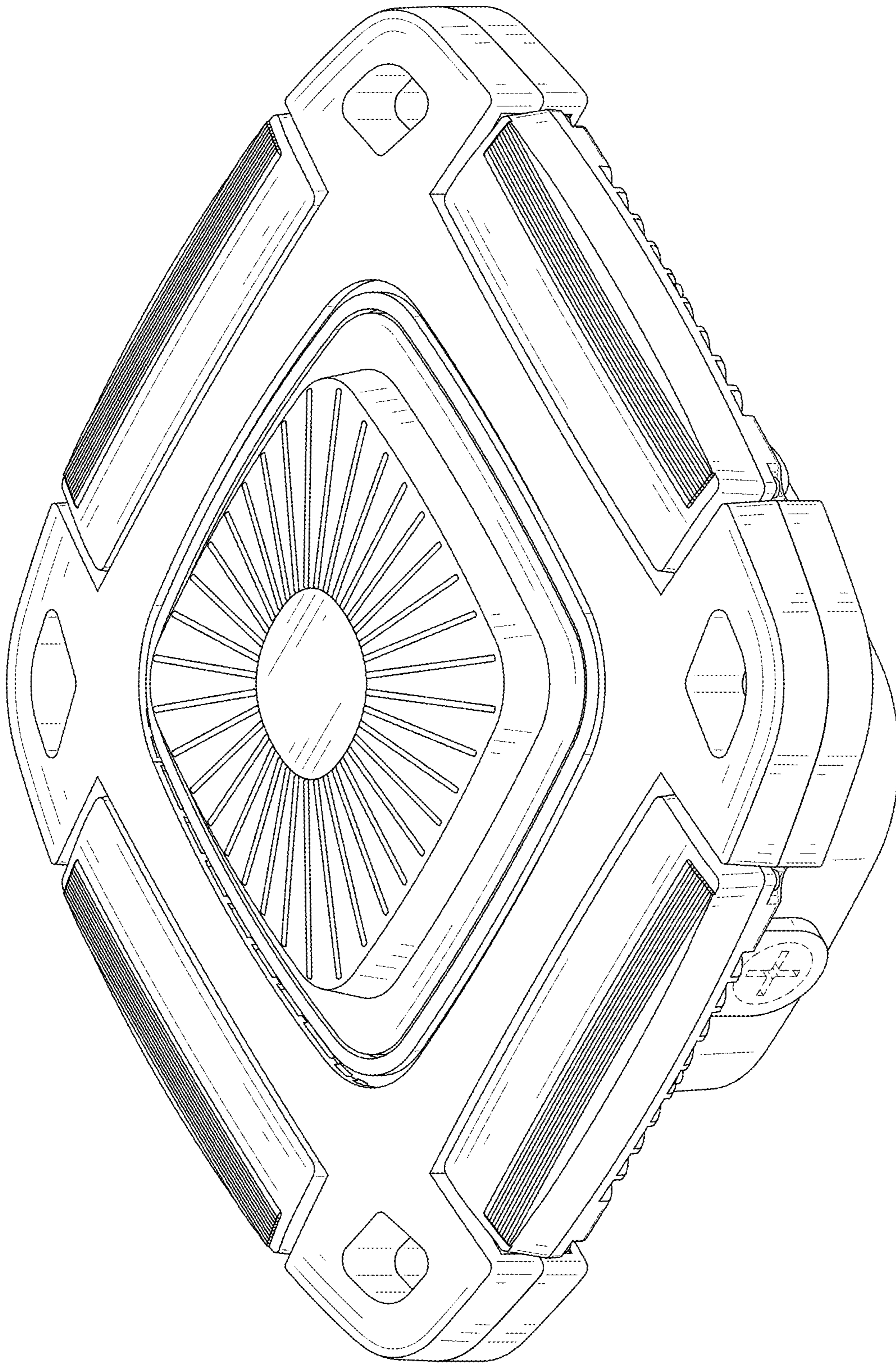


FIG. 1

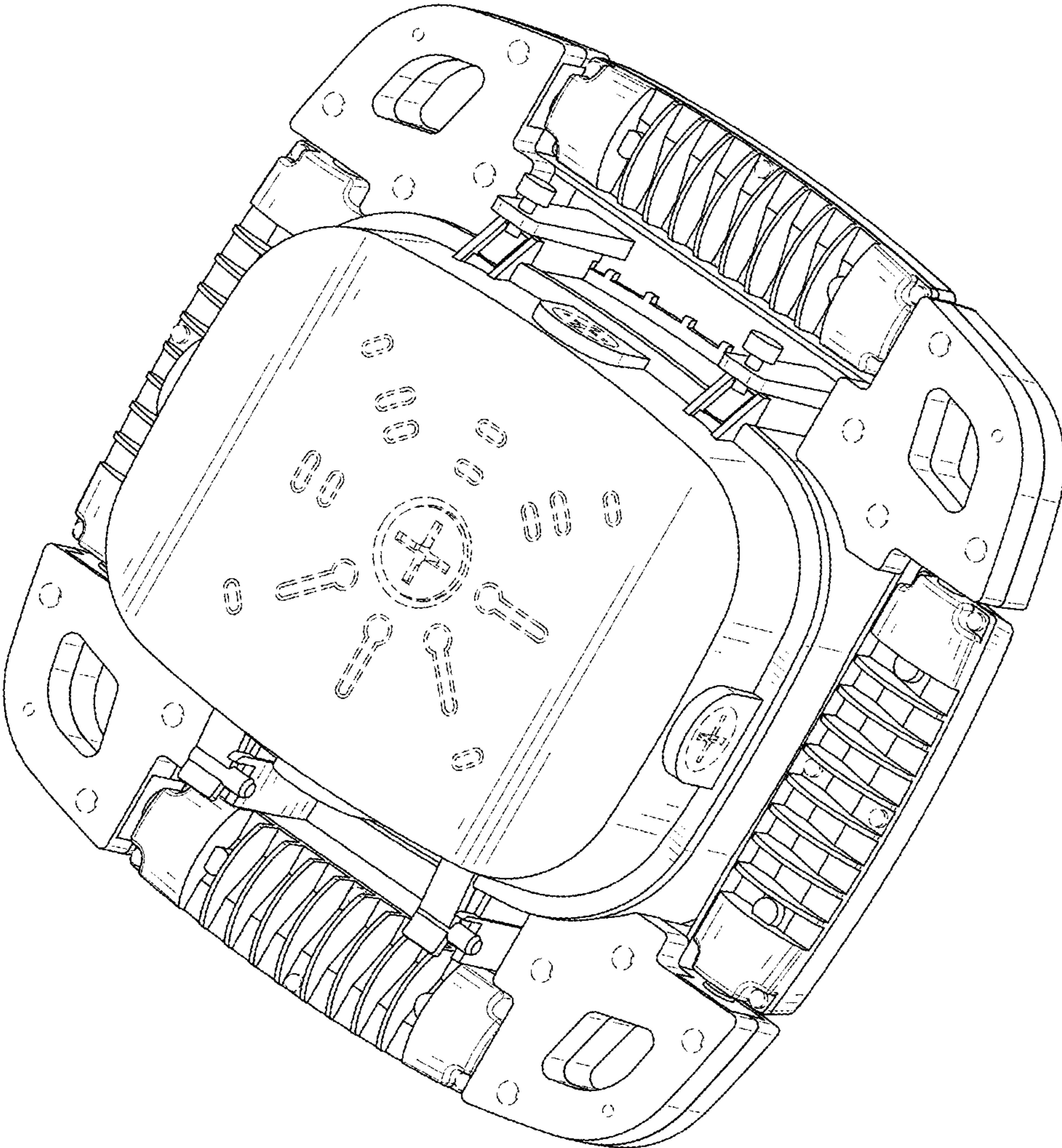


FIG. 2

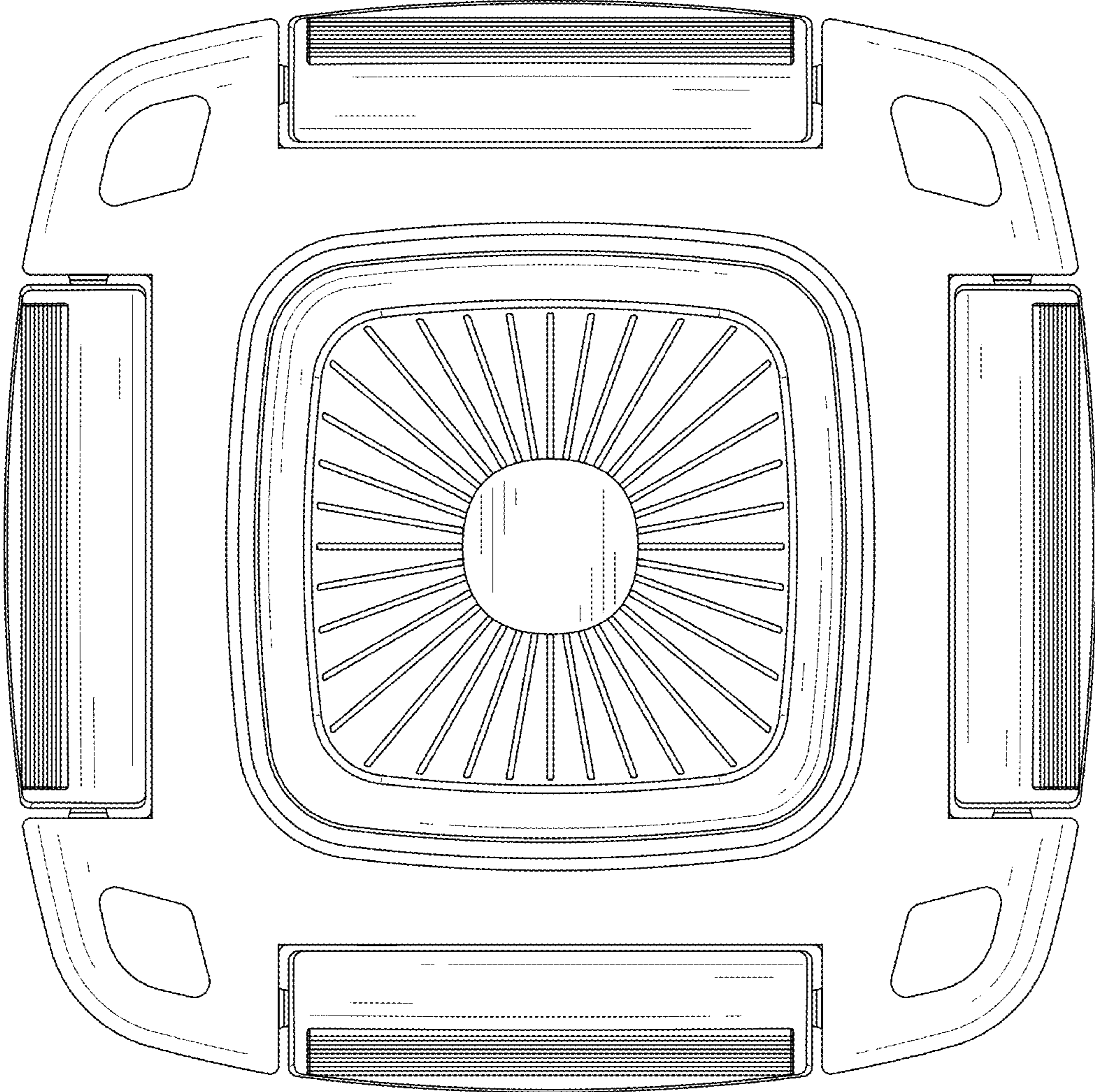


FIG. 3

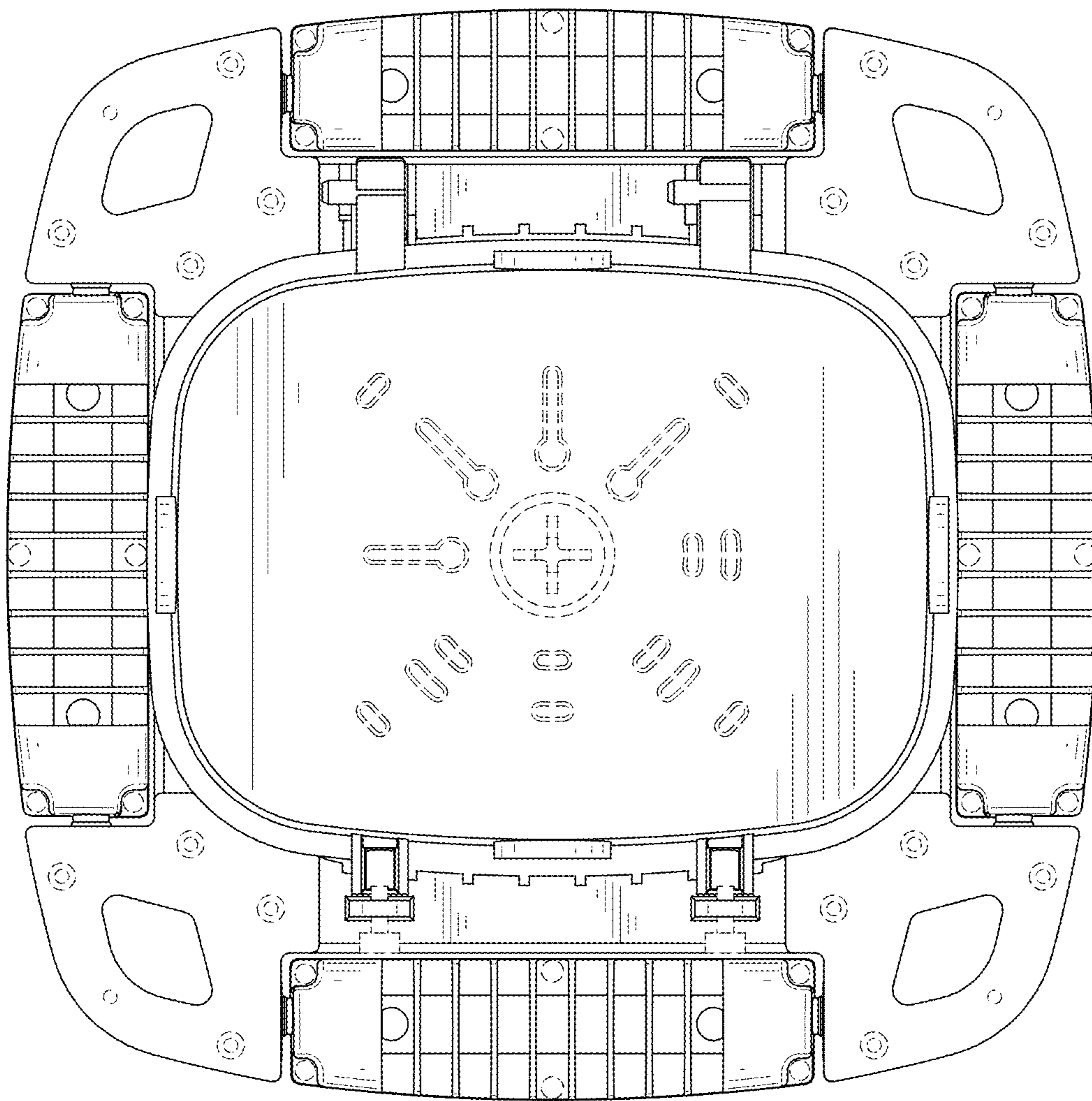


FIG. 4

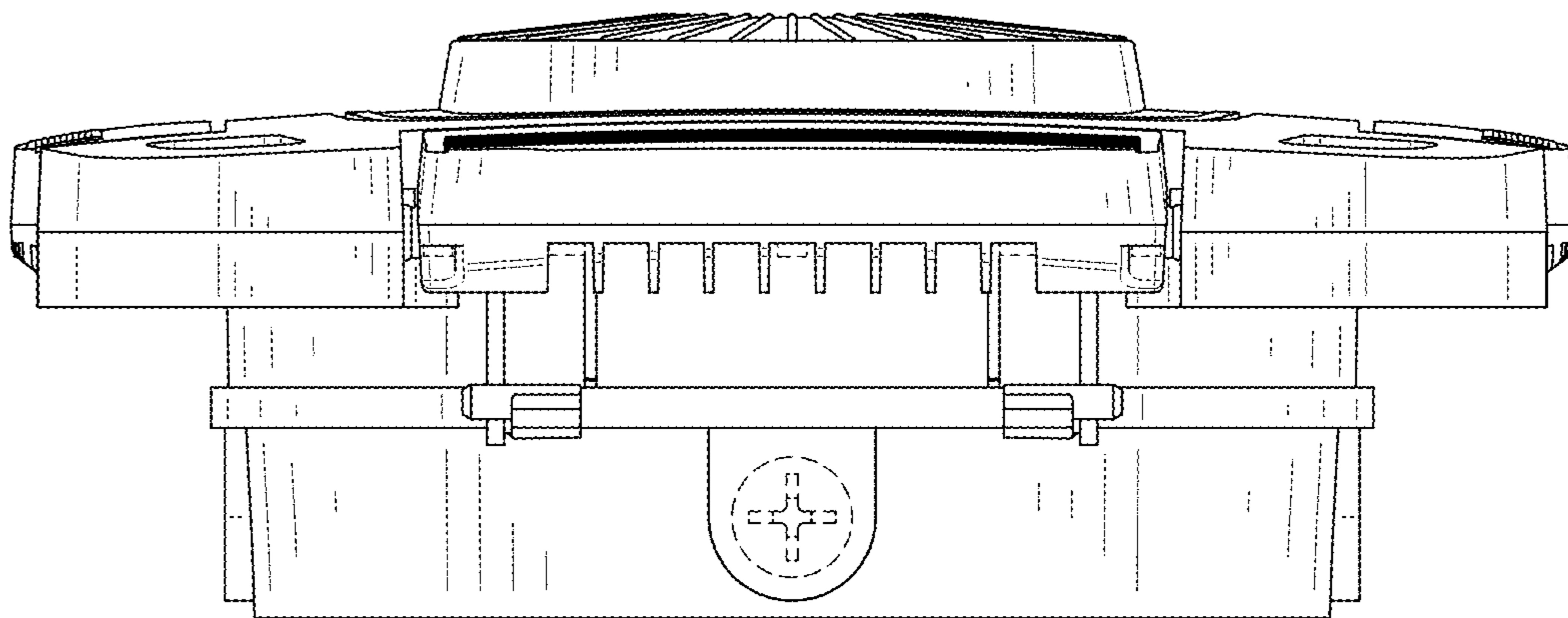


FIG. 5

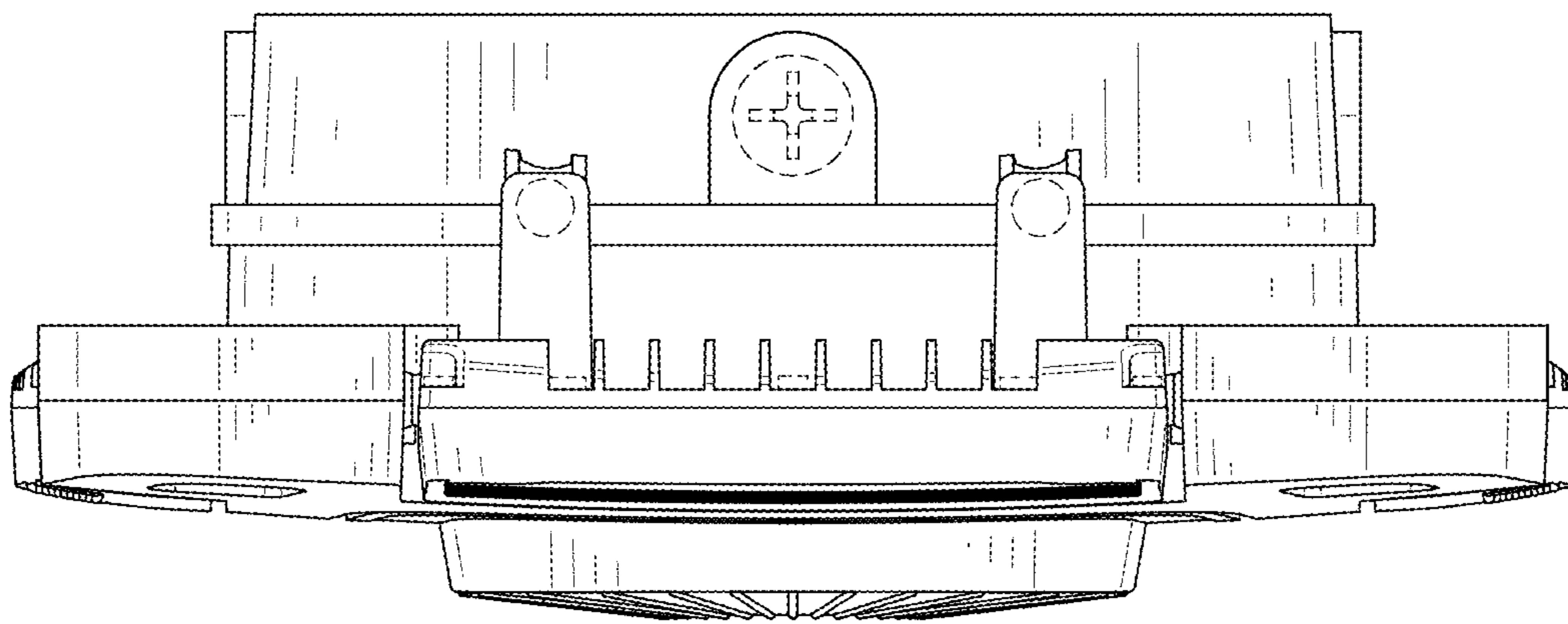


FIG. 6

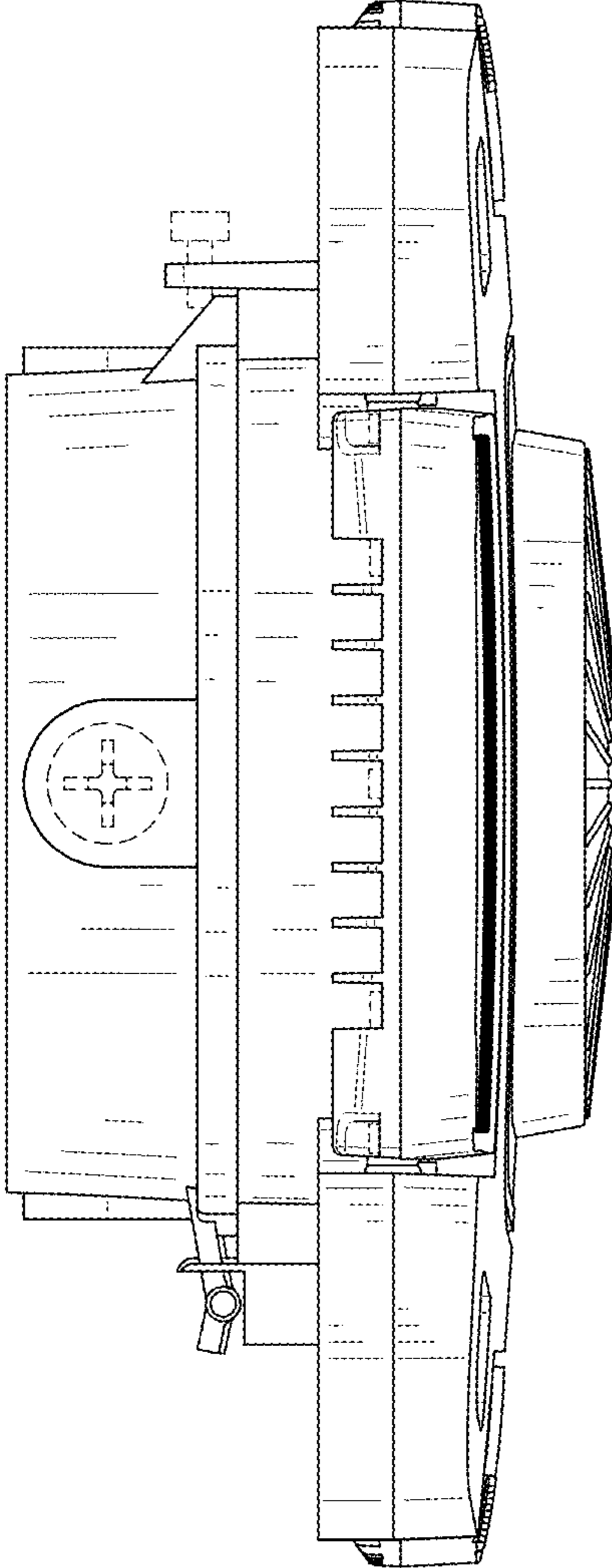


FIG. 7

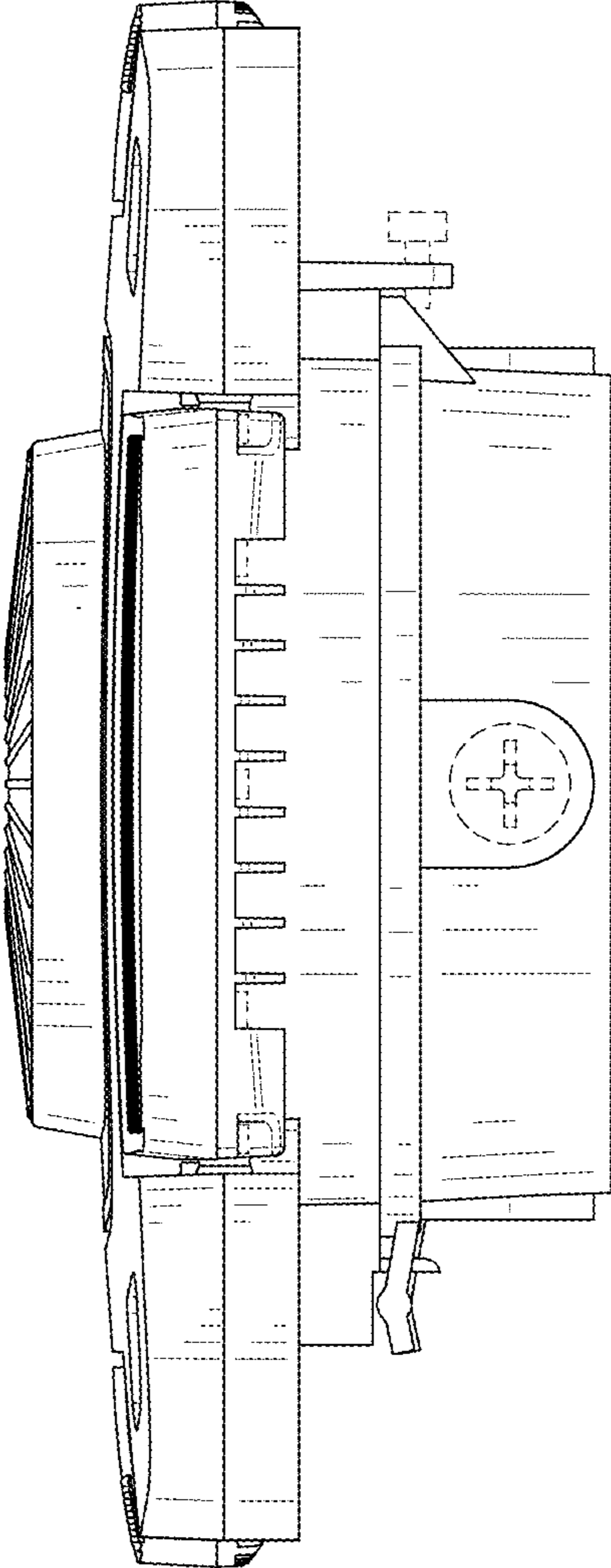


FIG. 8