



US00D902469S

(12) **United States Design Patent** (10) **Patent No.:** **US D902,469 S**
Duchaufour Lawrance (45) **Date of Patent:** **** Nov. 17, 2020**

(54) **LAMP**

Primary Examiner — Khawaja Anwar

(71) Applicant: **COMPAGNIE DES
CRISTALLERIES DE SAINT-LOUIS**
Société par actions simplifiée,
Saint-Louis les Bitche (FR)

(57) **CLAIM**

(72) Inventor: **Noé Duchaufour Lawrance**, Paris (FR)

The ornamental design for lamp, as shown and described.

(**) Term: **15 Years**

(21) Appl. No.: **35/506,714**

(22) Filed: **Jan. 11, 2019**

DESCRIPTION

(80) **Hague Agreement Data**

Int. Filing Date: **Jan. 11, 2019**

Int. Reg. No.: **DM/200745**

Int. Reg. Date: **Jan. 11, 2019**

Int. Reg. Pub. Date: **May 10, 2019**

FIGS. 1.1-3.4 Bracket lamp

FIG. 1.1 is a perspective view of a bracket lamp according to one embodiment of the claimed design;

FIG. 1.2 is a front elevational view of the bracket lamp shown in FIG. 1.1;

FIG. 1.3 is a rear elevational view of the bracket lamp shown in FIG. 1.1;

FIG. 1.4 is a right side elevational view of the bracket lamp shown in FIG. 1.1;

FIG. 1.5 is a left side elevational view of the bracket lamp shown in FIG. 1.1;

FIG. 1.6 is a top plan view of the bracket lamp shown in FIG. 1.1;

FIG. 1.7 is a bottom plan view of the bracket lamp shown in FIG. 1.1;

FIG. 2.1 is a perspective view of a bracket lamp according to another embodiment of the claimed design;

FIG. 2.2 is a front elevational view of the bracket lamp shown in FIG. 2.1;

FIG. 2.3 is a rear elevational view of the bracket lamp shown in FIG. 2.1;

FIG. 2.4 is a side view of a portion of the bracket lamp shown in FIG. 2.1;

FIG. 3.1 is a perspective view of a bracket lamp according to another embodiment of the claimed design;

FIG. 3.2 is a front elevational view of the bracket lamp shown in FIG. 3.1;

FIG. 3.3 is a rear elevational view of the bracket lamp shown in FIG. 3.1; and

FIG. 3.4 is a side view of a portion of the bracket lamp shown in FIG. 3.1.

(51) **LOC (12) Cl.** **26-05**

(52) **U.S. Cl.**
USPC **D26/86**

(58) **Field of Classification Search**

USPC D26/72-92, 28, 35, 118-122

CPC H05B 47/19; H05B 45/37; H05B 45/10;

H05B 45/00; H05B 45/20; H05B 45/50;

H05B 47/105; H05B 45/14; H05B 47/16;

H05B 45/395; H05B 45/46; H05B 47/10;

H05B 47/155; H05B 47/18; H05B

47/185; H05B 2214/02; H05B 33/04;

H05B 33/08; H05B 33/0842; H05B

33/10; H05B 33/12; H05B 3/84; H05B

45/24; H05B 45/40; H05B 45/44; H05B

47/11; H05B 47/115; H05B 47/12; H05B

47/235; F21K 9/27; F21K 9/278; F21K

9/272; F21S 2/00; F21S 6/003; F21S

8/03; F21S 8/031; F21S 8/04; F21S 8/085

See application file for complete search history.

(56) **References Cited**

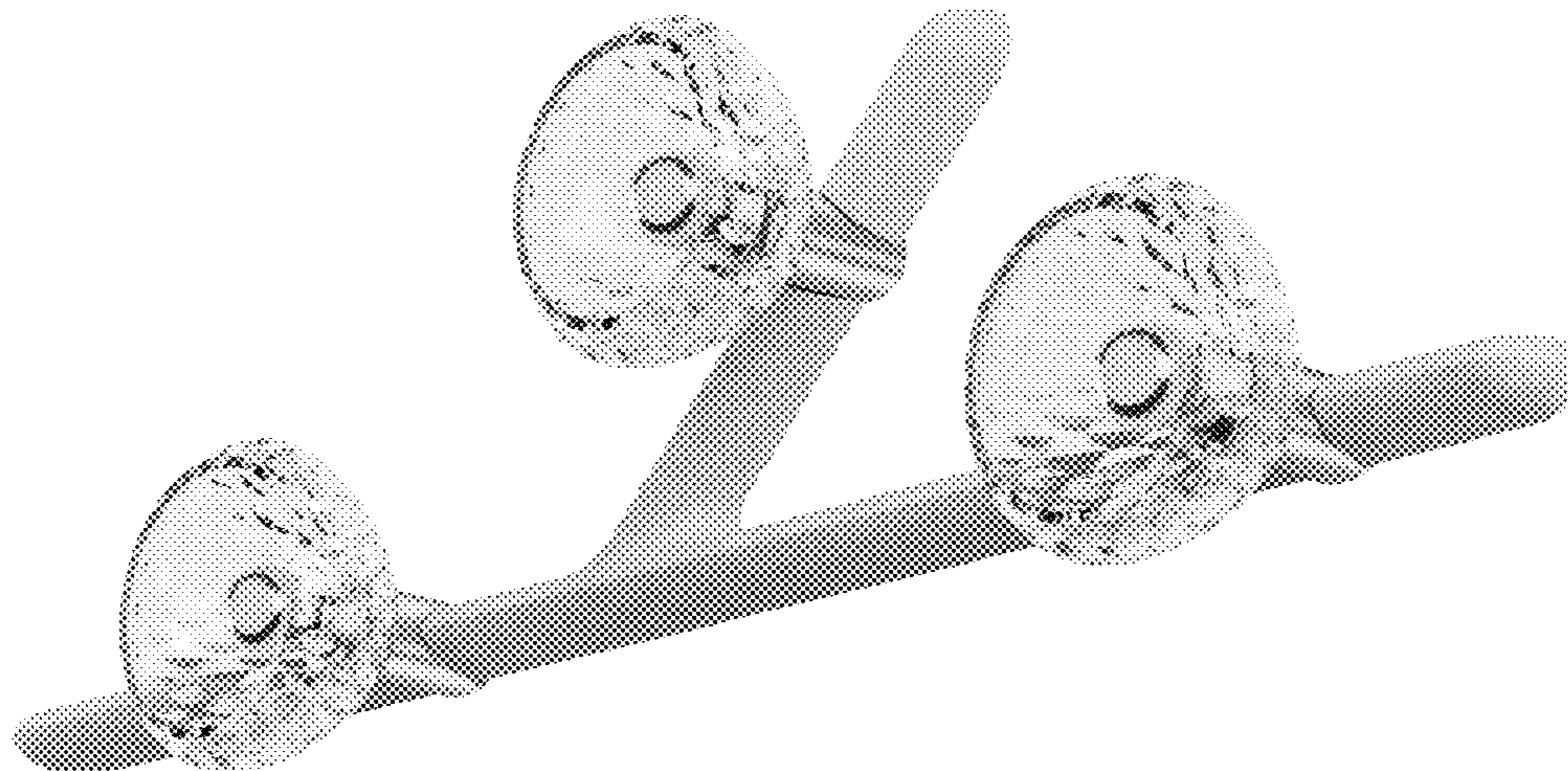
U.S. PATENT DOCUMENTS

D514,730 S * 2/2006 Lo D26/86

D562,963 S * 2/2008 Cantolino D23/386

(Continued)

1 Claim, 15 Drawing Sheets



(56)

References Cited

U.S. PATENT DOCUMENTS

D588,300	S	*	3/2009	Sabernig	D26/86
D597,652	S	*	8/2009	Tang	D13/179
D620,174	S	*	7/2010	Sabernig	D26/83
D636,864	S	*	4/2011	Post	D23/386
D710,985	S	*	8/2014	Gassman	D23/373
D736,366	S	*	8/2015	Picco	D23/386
D767,111	S	*	9/2016	Glick	D23/386
D770,028	S	*	10/2016	Glick	D23/386
D792,571	S	*	7/2017	Buzanowski	D23/386
D792,572	S	*	7/2017	Buzanowski	D23/386
D792,573	S	*	7/2017	Buzanowski	D23/386
D792,574	S	*	7/2017	Buzanowski	D23/386
D792,575	S	*	7/2017	Buzanowski	D23/386
D793,545	S	*	8/2017	Buzanowski	D23/386
D868,334	S	*	11/2019	Li	D26/72
D868,335	S	*	11/2019	Li	D26/72
D868,336	S	*	11/2019	Li	D26/72

* cited by examiner

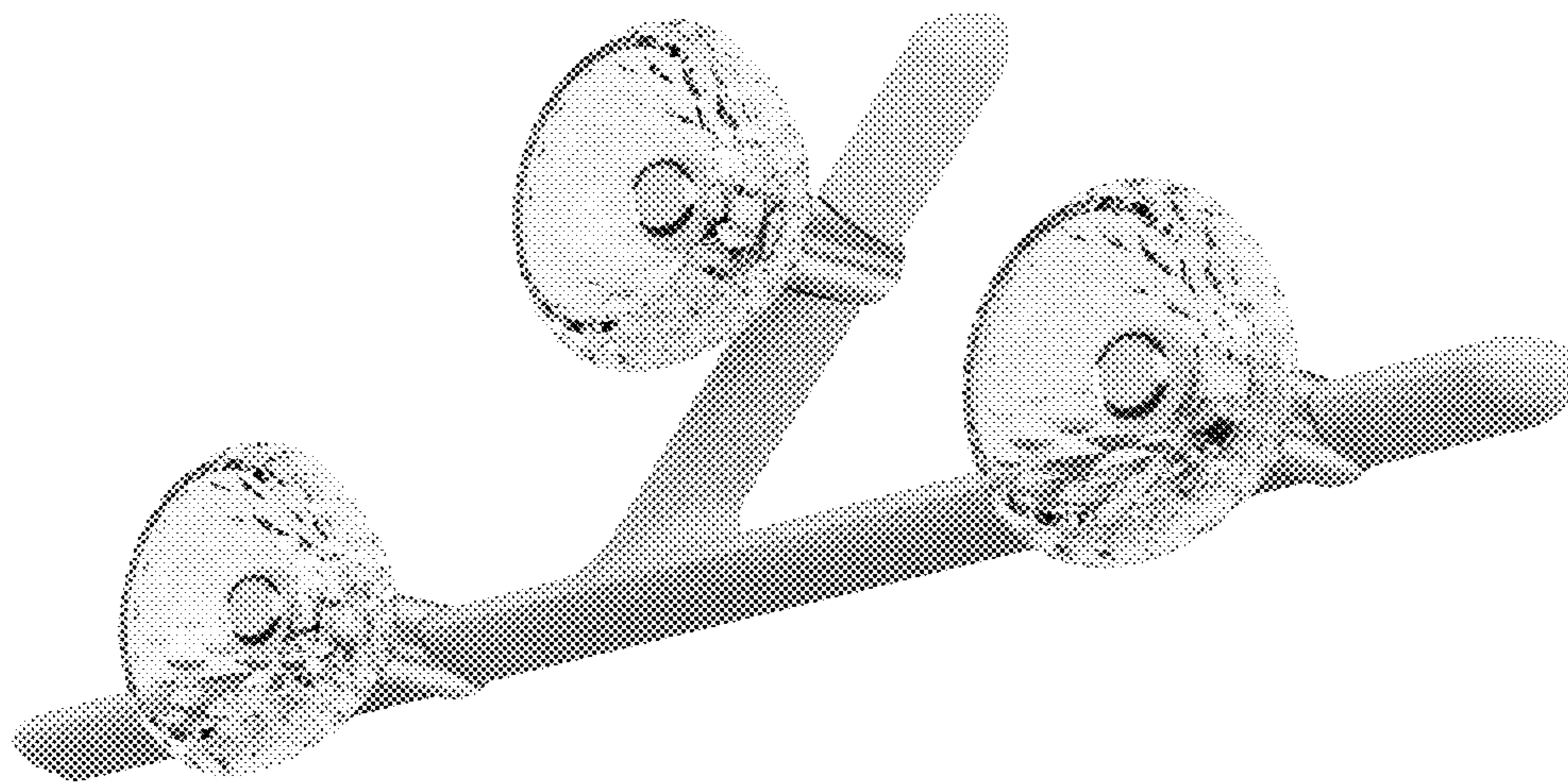


FIG. 1.1

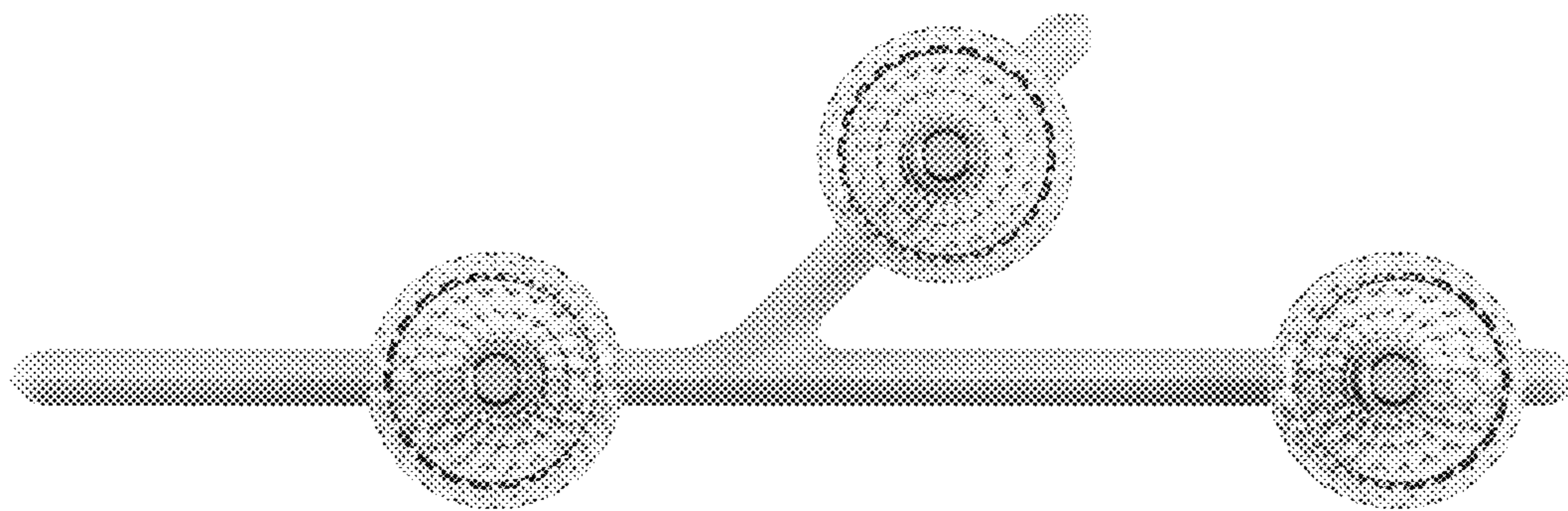


FIG. 1.2

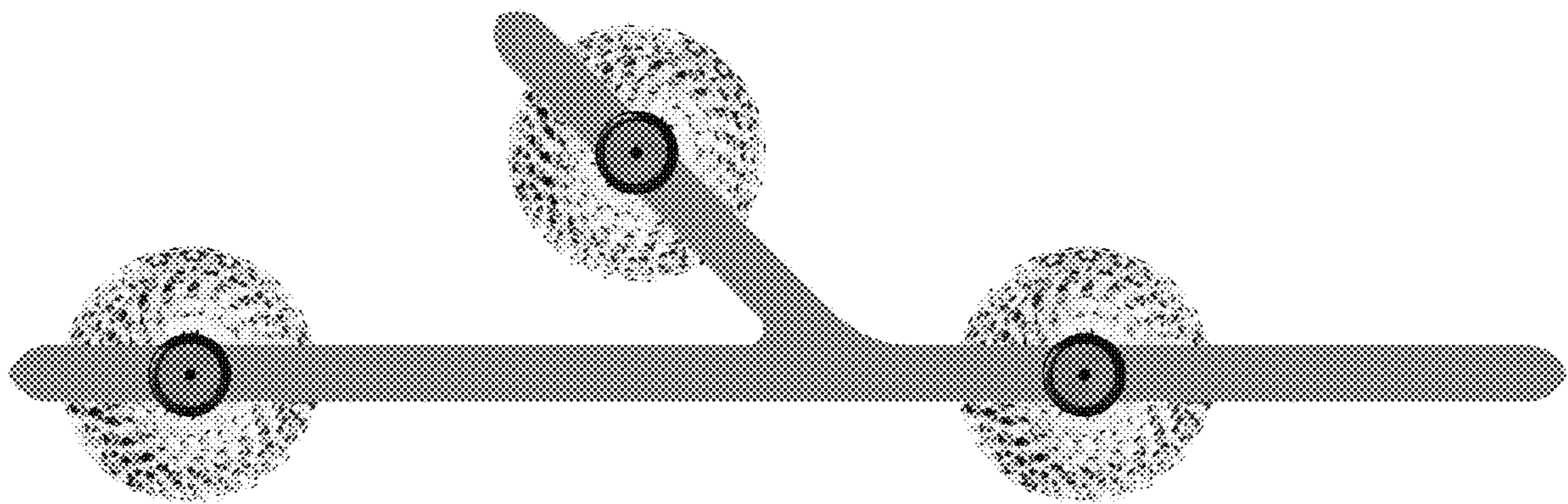


FIG. 1.3

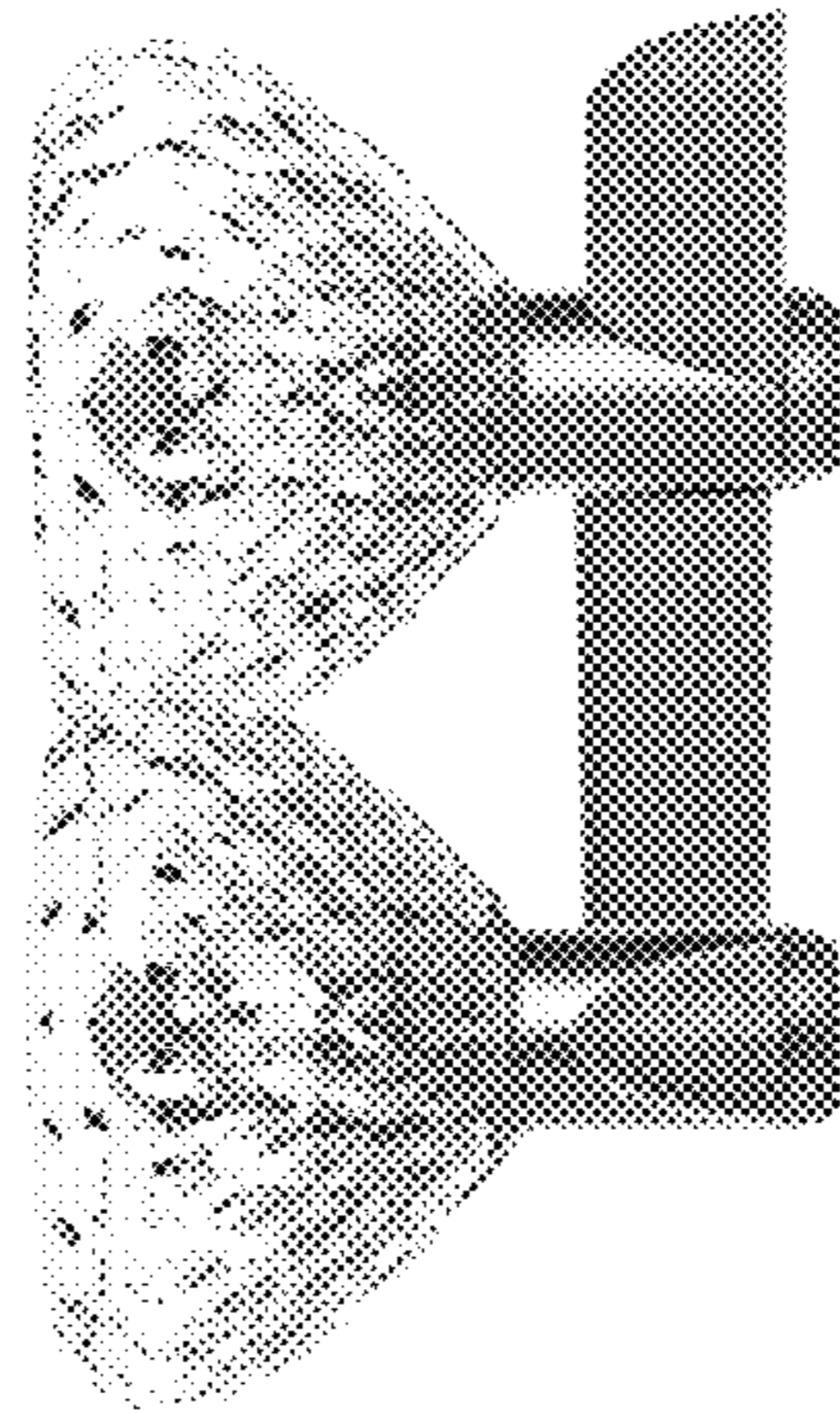


FIG. 1.4

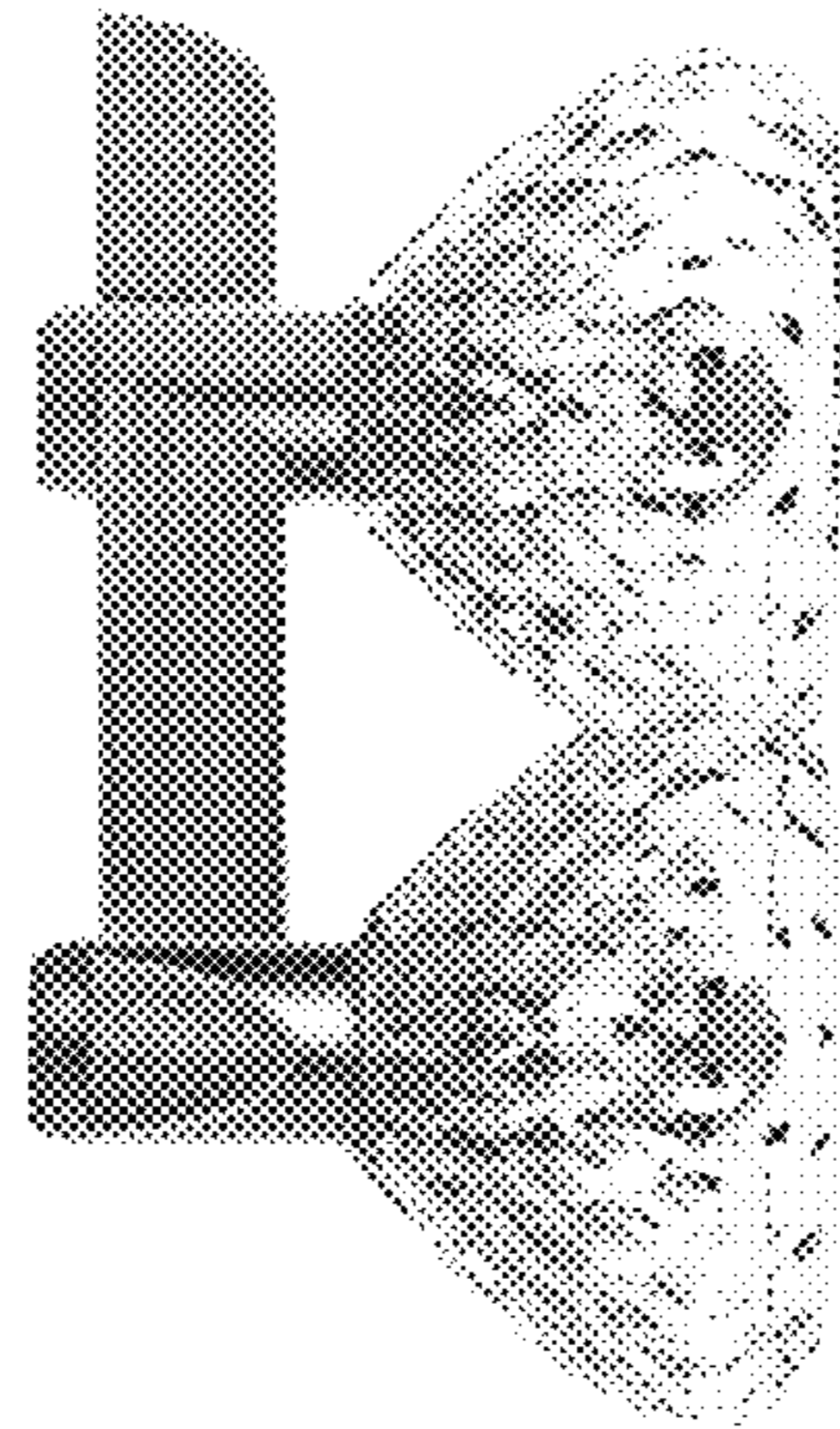


FIG. 1.5

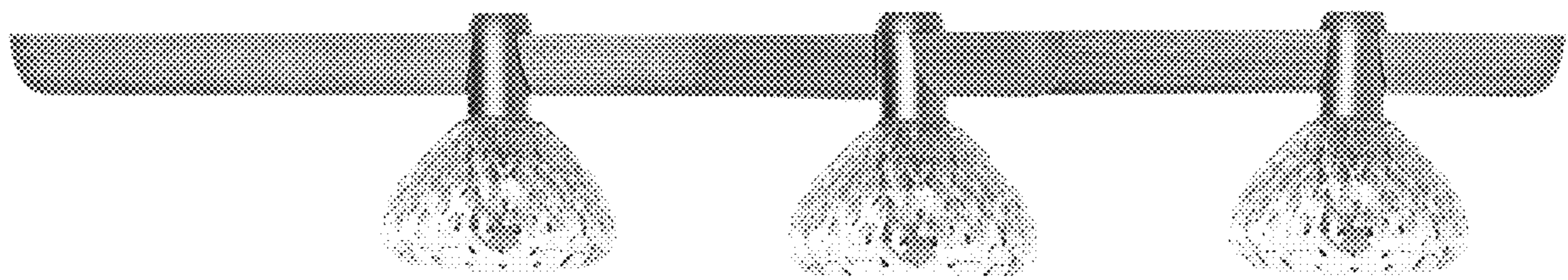


FIG. 1.6



FIG. 1.7



FIG. 2.1

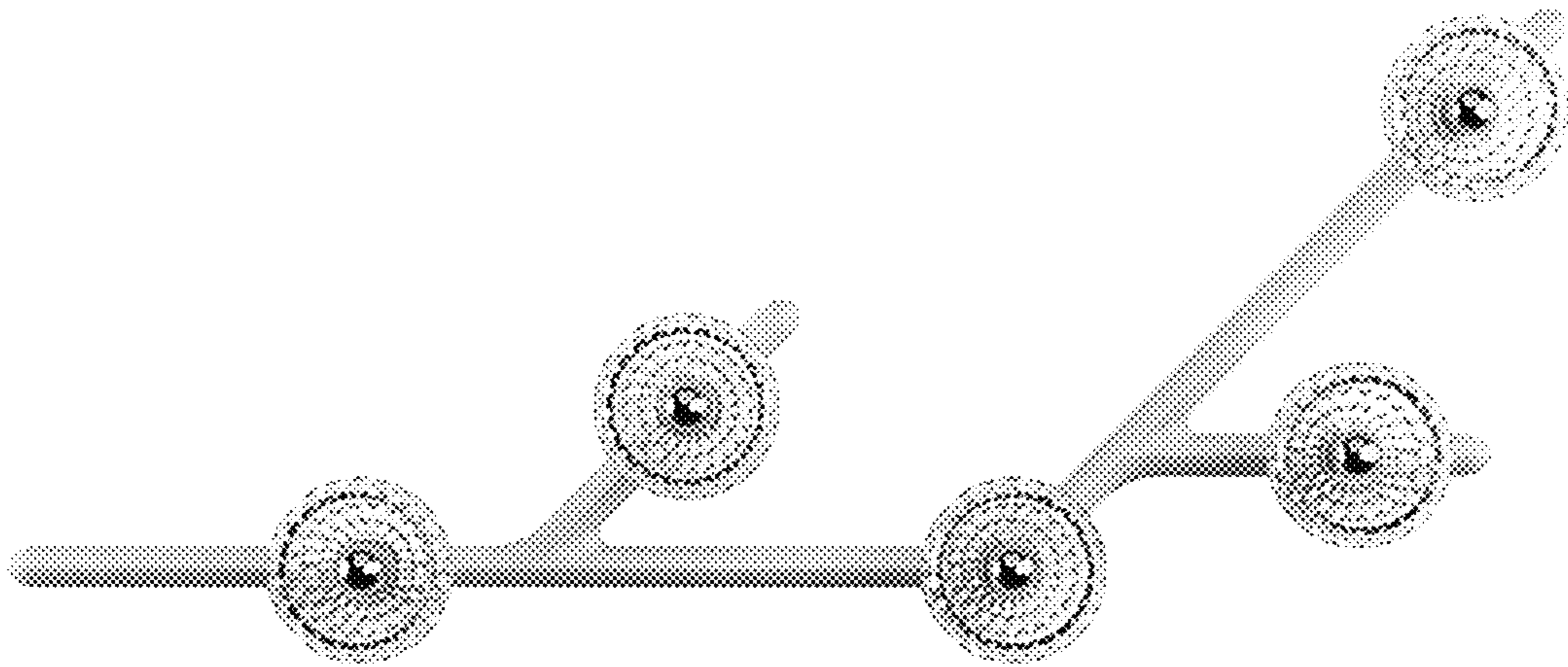


FIG. 2.2

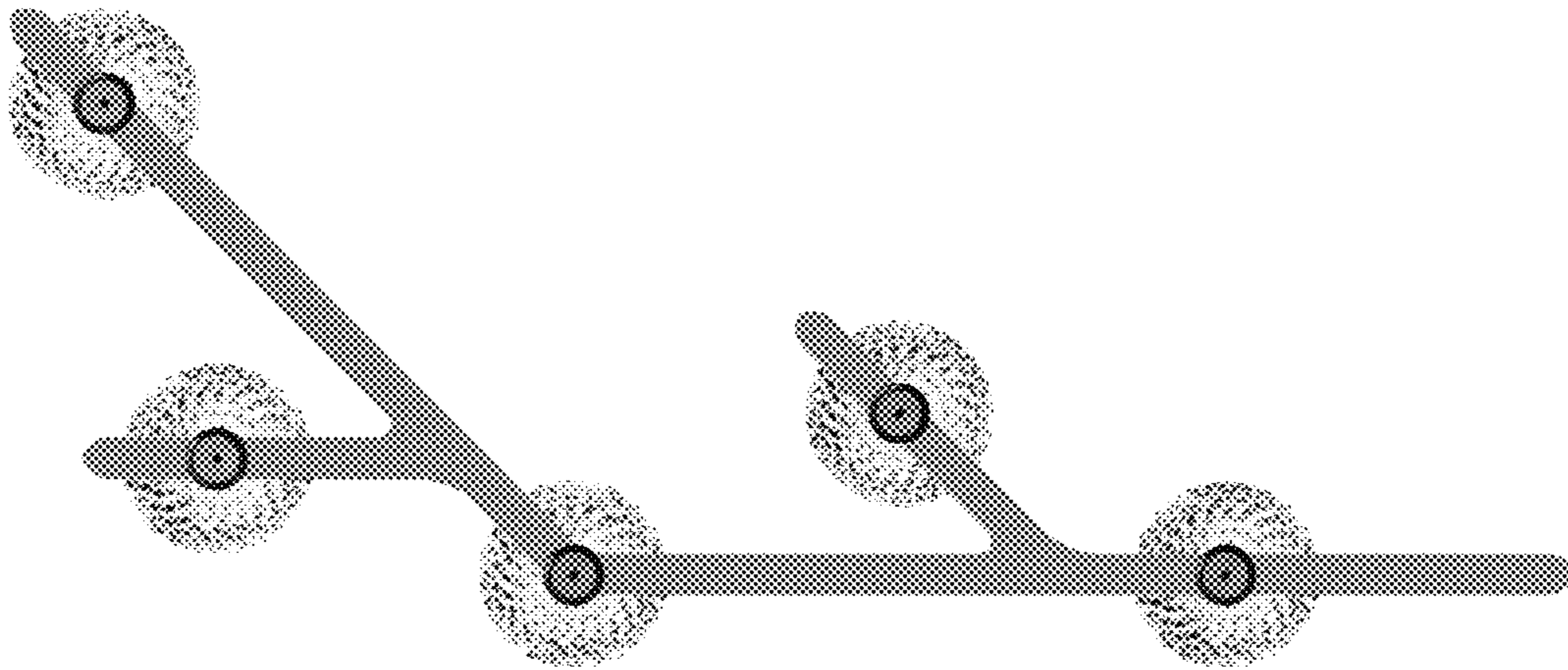


FIG. 2.3



FIG. 2.4

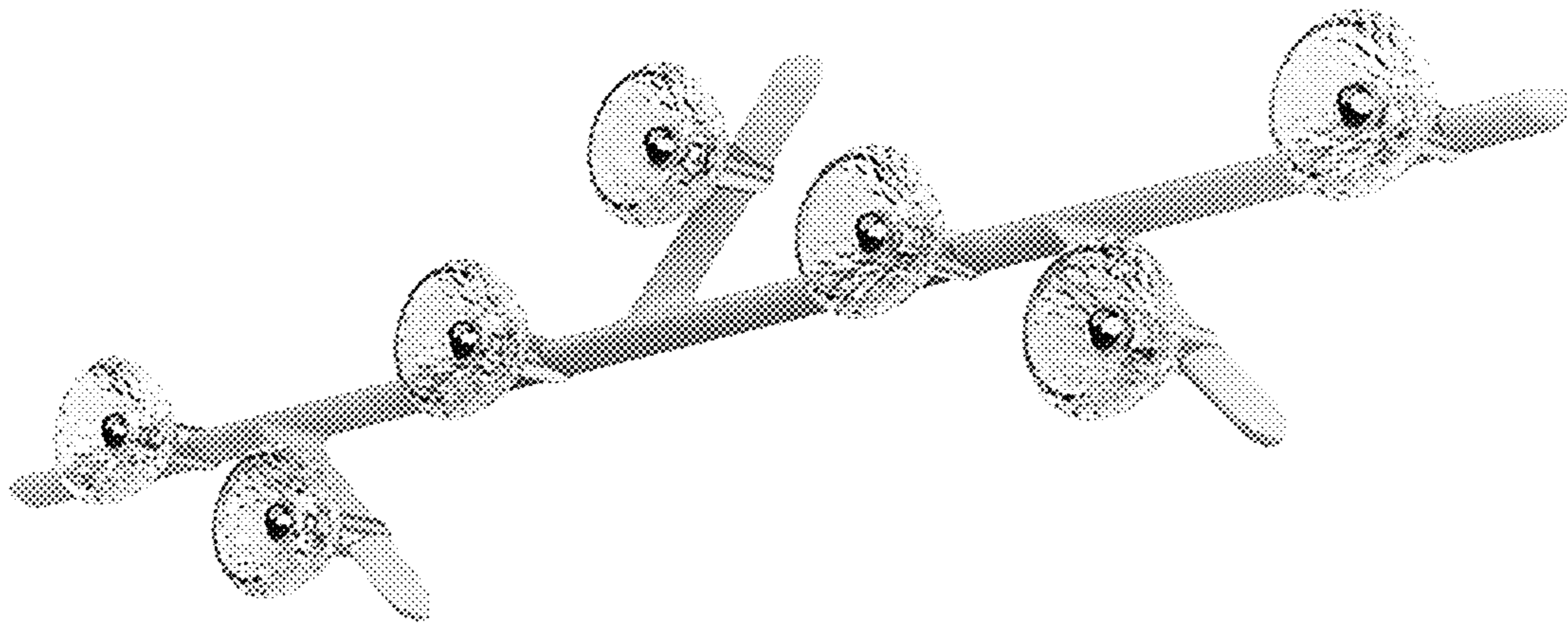


FIG. 3.1

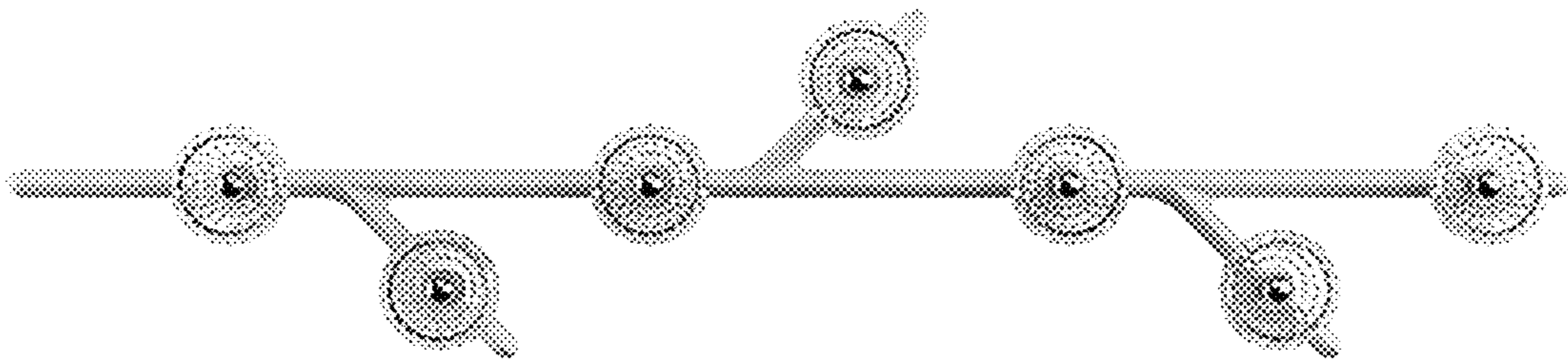


FIG. 3.2

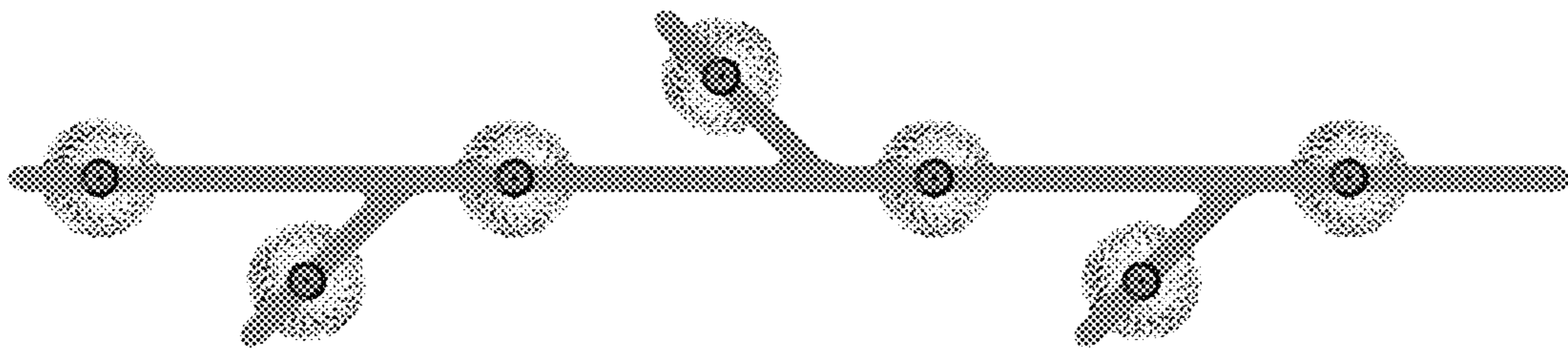


FIG. 3.3



FIG. 3.4