



US00D902468S

(12) **United States Design Patent**
Hu

(10) **Patent No.:** **US D902,468 S**

(45) **Date of Patent:** **** Nov. 17, 2020**

(54) **SOLAR INDUCTION LAMP**

(71) Applicant: **Ningbo Exquisite Electrical Appliance Co., Ltd., Ningbo (CN)**

(72) Inventor: **Jianke Hu, Ningbo (CN)**

(73) Assignee: **Ningbo Exquisite Electrical Appliance Co., Ltd., Ningbo (CN)**

(**) Term: **15 Years**

(21) Appl. No.: **29/675,762**

(22) Filed: **Jan. 4, 2019**

(30) **Foreign Application Priority Data**

Jul. 6, 2018 (CN) 2018 3 0361444

(51) **LOC (12) Cl.** **26-05**

(52) **U.S. Cl.**
USPC **D26/85**

(58) **Field of Classification Search**
USPC D10/106.6, 106.8; D26/51, 60, 72, 78,
D26/80, 81, 82, 85, 86, 88
CPC F21S 8/03; F21S 8/003; F21S 8/036; F21S
8/037; F21S 9/022; F21S 9/024; F21S
9/03; F21S 9/037; F21S 13/02; F21S
13/10; F21S 13/14; F21W 2131/107;
G08B 13/193

See application file for complete search history.

(56) **References Cited**

U.S. PATENT DOCUMENTS

D816,259 S * 4/2018 Liu D26/85

D836,816 S * 12/2018 Liu D26/85
D841,218 S * 2/2019 Liu D26/85
D841,864 S * 2/2019 Liu D26/85
D875,991 S * 2/2020 Wan D26/85
D875,992 S * 2/2020 Khubani D26/85
D879,352 S * 3/2020 Liu D26/85

* cited by examiner

Primary Examiner — Kevin K Rudzinski

Assistant Examiner — Richard Kearney

(74) *Attorney, Agent, or Firm* — Muncy, Geissler, Olds & Lowe, P.C.

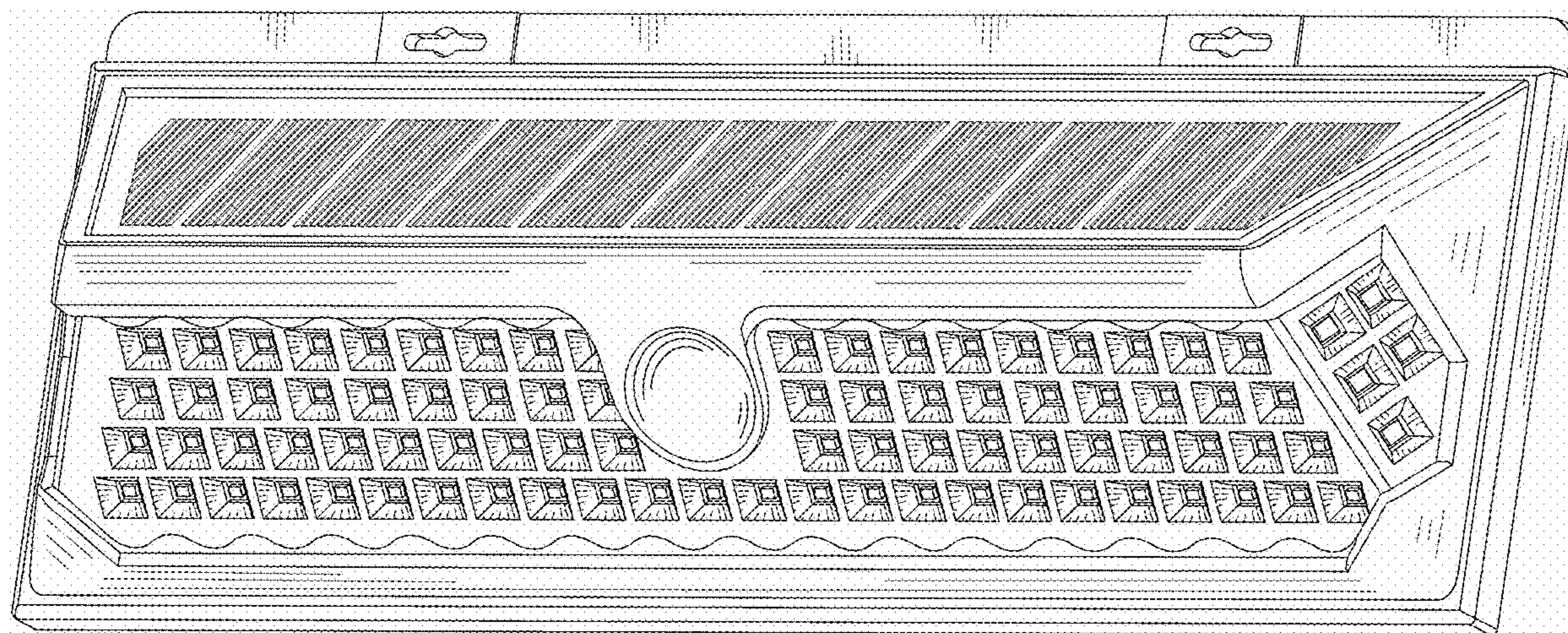
(57) **CLAIM**

The ornamental design for a solar induction lamp, as shown and described.

DESCRIPTION

FIG. 1 is a rear view of a solar induction lamp showing my new design;
FIG. 2 is a front elevation view thereof;
FIG. 3 is a top plan view thereof;
FIG. 4 is a right side view thereof;
FIG. 5 is a left side view thereof;
FIG. 6 is a bottom plan view thereof; and,
FIG. 7 is a perspective view thereof.
The broken lines illustrate environment structure which forms no part of the claimed design.

1 Claim, 7 Drawing Sheets



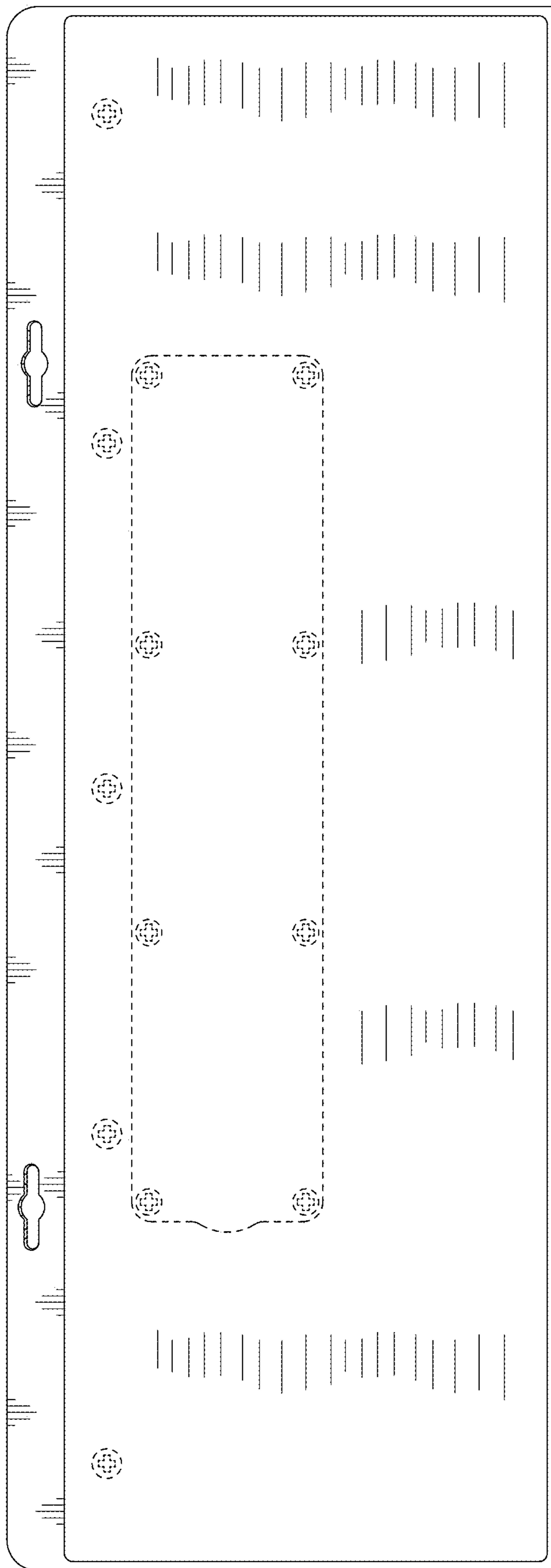


FIG. 1

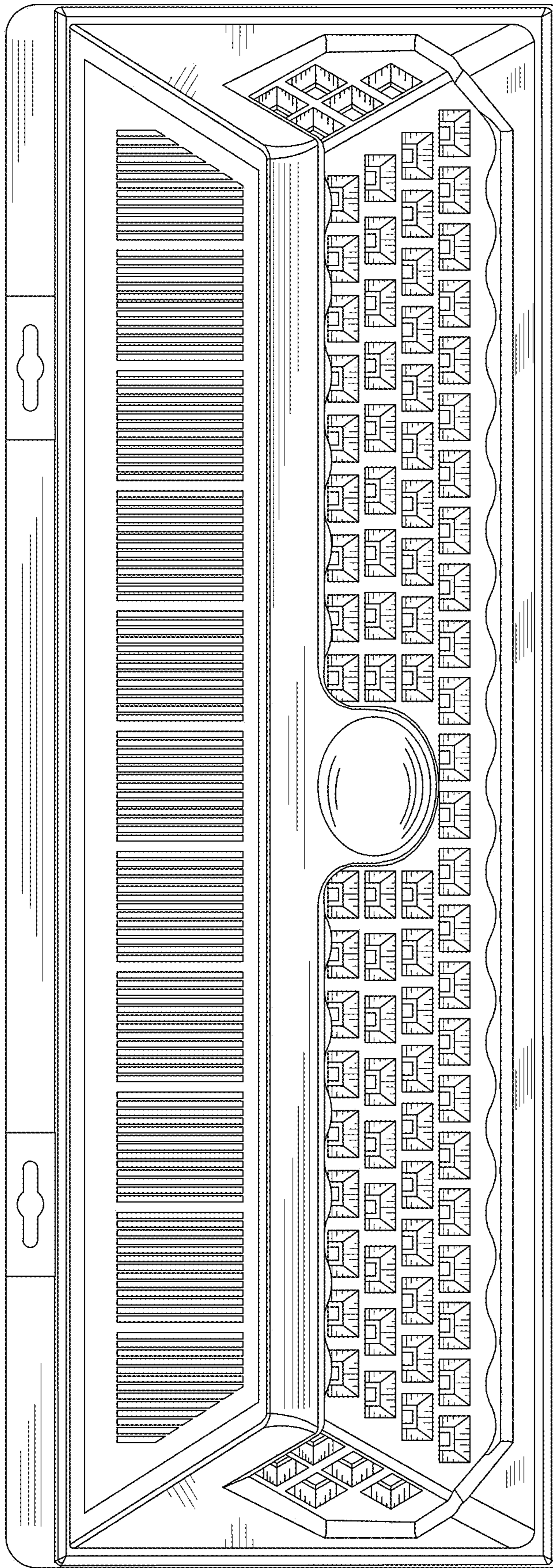


FIG. 2

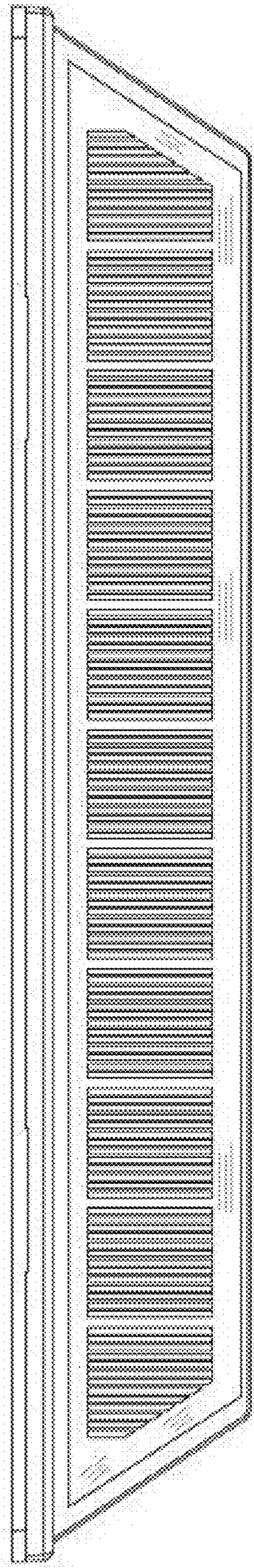


FIG. 3

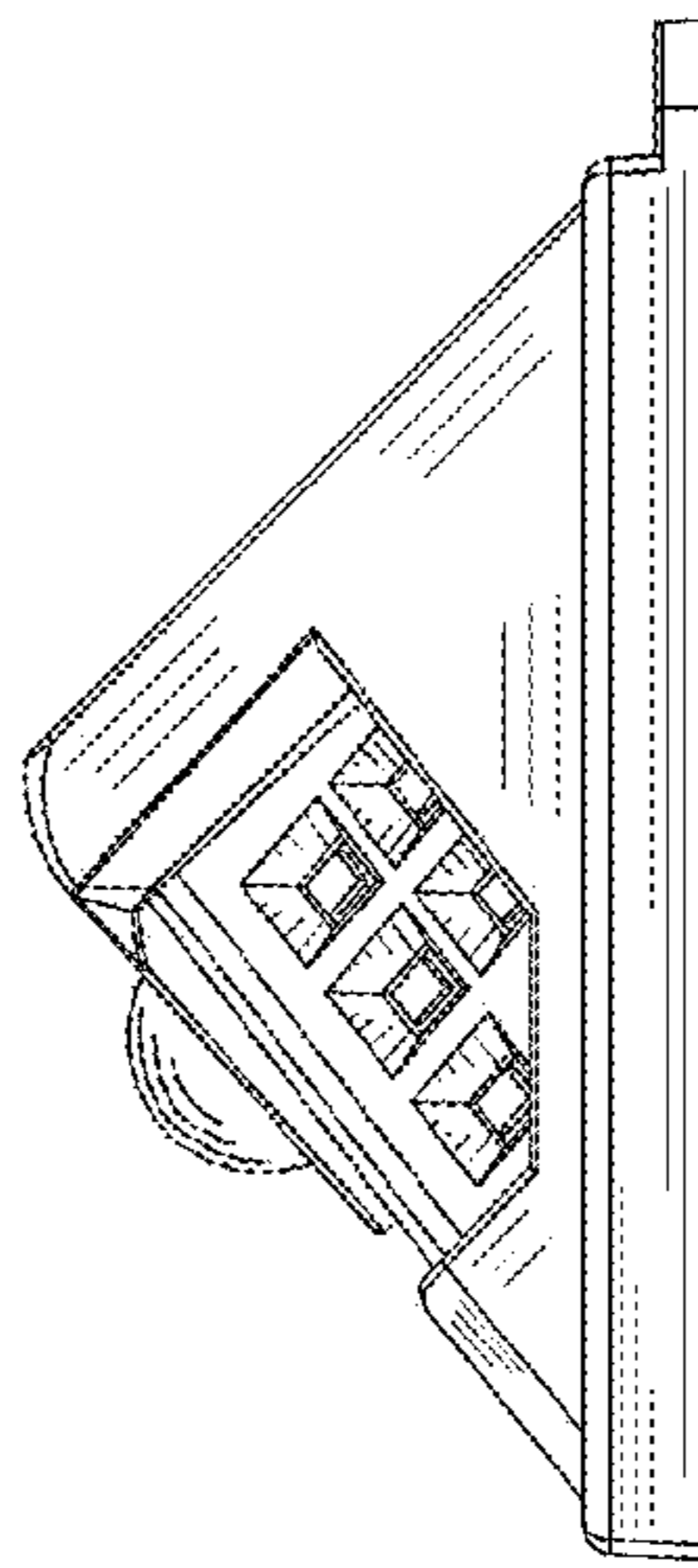


FIG. 4

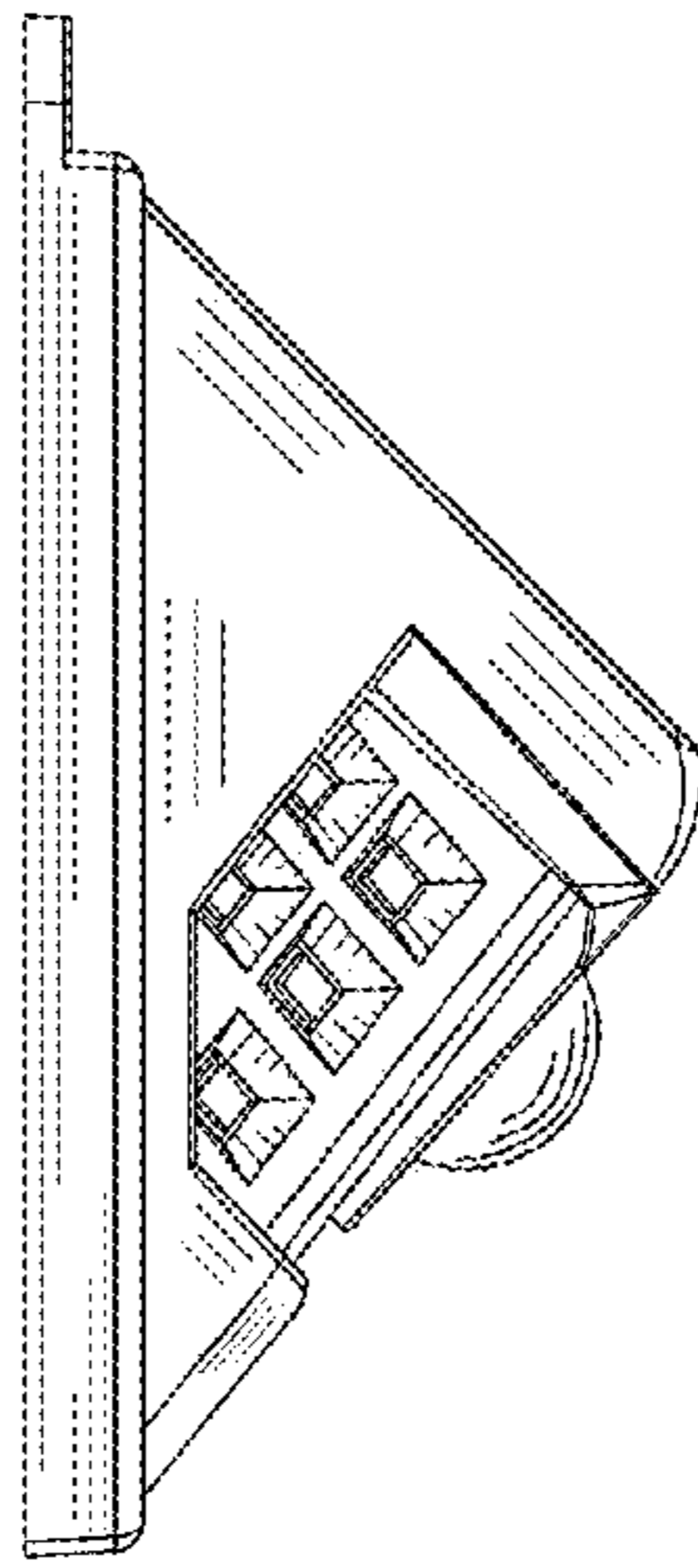


FIG. 5

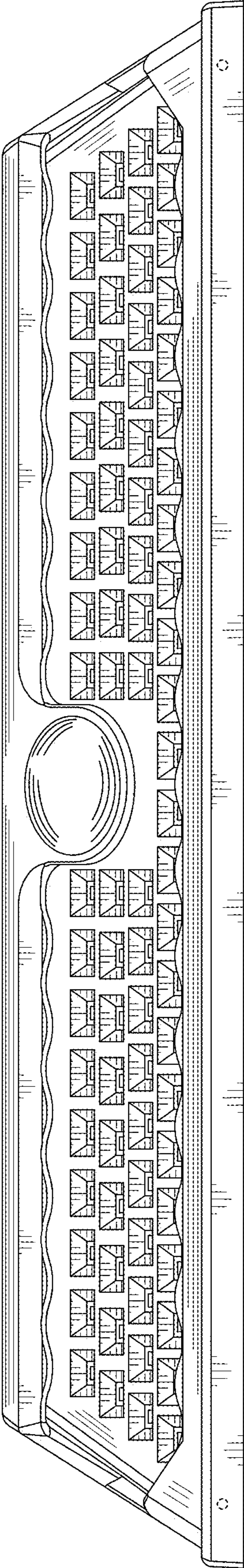


FIG. 6

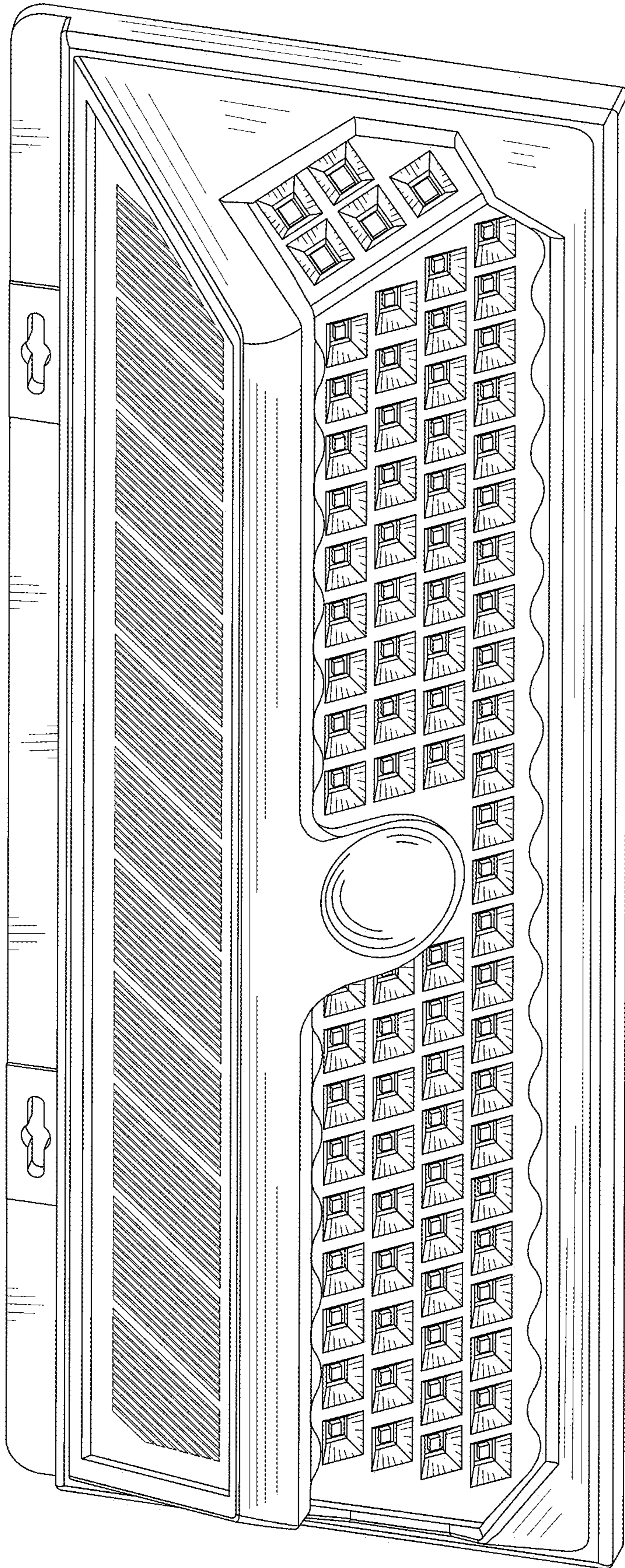


FIG. 7