



US00D902466S

(12) **United States Design Patent**  
**Holscher**

(10) **Patent No.:** **US D902,466 S**

(45) **Date of Patent:** **\*\* Nov. 17, 2020**

(54) **LIGHT FIXTURE**

(71) Applicant: **Hubbell Incorporated**, Shelton, CT  
(US)

(72) Inventor: **Steven Holscher**, Boiling Springs, SC  
(US)

(73) Assignee: **Hubbell Incorporated**, Shelton, CT  
(US)

(\*\*) Term: **15 Years**

(21) Appl. No.: **29/608,347**

(22) Filed: **Jun. 21, 2017**

**Related U.S. Application Data**

(63) Continuation of application No. 29/560,187, filed on  
Apr. 4, 2016, now Pat. No. Des. 791,382.

(51) **LOC (12) Cl.** ..... **26-05**

(52) **U.S. Cl.**  
USPC ..... **D26/74**

(58) **Field of Classification Search**  
USPC ..... D26/74, 72, 75, 76, 77, 78, 85, 88, 89,  
D26/118, 138, 141, 61; 362/364, 365,  
362/373, 145, 146, 147, 148, 150, 153,  
362/153.1, 294, 296.01, 296, 296.08;  
D8/352, 353  
CPC ..... F21V 29/2262; F21V 7/06; F21V 21/044;  
F21V 21/047; F21V 29/2212; F21V  
29/2225; F21V 29/2256; F21V 29/225;  
F21V 29/2268; F21Y 2111/002; F21S  
8/02; F21S 8/026

See application file for complete search history.

(56) **References Cited**

**U.S. PATENT DOCUMENTS**

D345,142 S \* 3/1994 Porter ..... D13/156  
D360,350 S \* 7/1995 House ..... D8/353

D493,694 S \* 8/2004 Spangler ..... D8/352  
D596,330 S 7/2009 Pickard  
D617,934 S 6/2010 Rashidi  
D624,688 S 9/2010 Johnson  
D632,821 S 2/2011 Culbert  
D633,636 S 3/2011 Gielen  
D641,909 S 7/2011 Johnson  
D642,317 S 7/2011 Rashidi  
D648,240 S \* 11/2011 Kim ..... D10/111  
D662,642 S 6/2012 Huang  
D677,418 S \* 3/2013 Wilson ..... D26/74  
D679,849 S 4/2013 Ham  
D682,458 S 5/2013 Calvin

(Continued)

*Primary Examiner* — Angela J Lee

(74) *Attorney, Agent, or Firm* — Michael Best &  
Friedrich, LLP

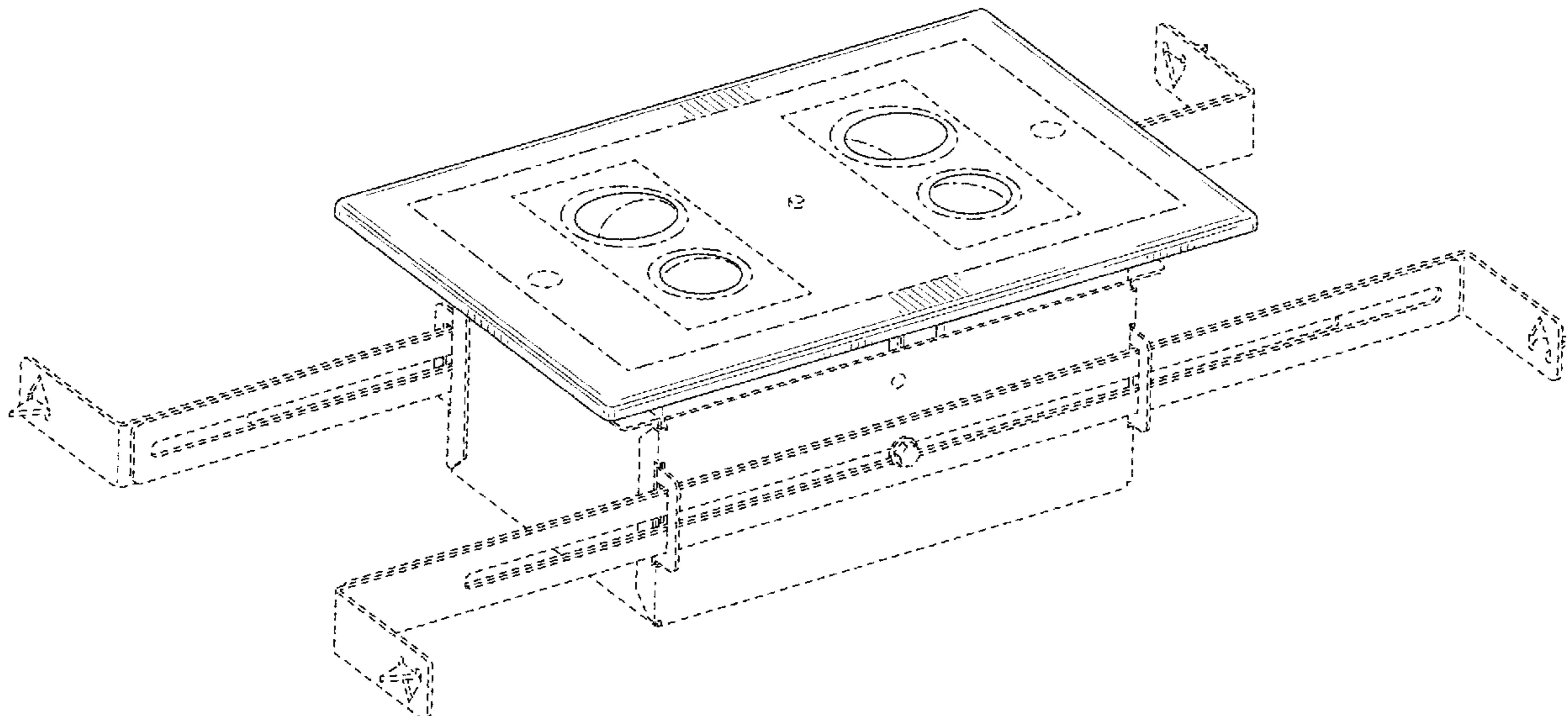
(57) **CLAIM**

I claim the ornamental design for a light fixture, as shown  
and described.

**DESCRIPTION**

FIG. 1 is a top perspective view of a light fixture according  
to an embodiment of the application.  
FIG. 2 is a bottom perspective view of the light fixture  
shown in FIG. 1.  
FIG. 3 is a first side view of the light fixture shown in FIG.  
1.  
FIG. 4 is a second side view of the light fixture shown in  
FIG. 1.  
FIG. 5 is a top view of the light fixture shown in FIG. 1; and,  
FIG. 6 is a bottom view of the light fixture shown in FIG. 1.  
The elements shown in broken lines are included for the  
purpose of illustrating environment and form no part of the  
claimed design. The dot-dash-dot lines shown in the draw-  
ings indicate boundaries of the claimed portions of the light  
fixture and form no part of the claimed design.

**1 Claim, 6 Drawing Sheets**



(56)

**References Cited**

U.S. PATENT DOCUMENTS

D692,606	S	10/2013	Schrimmer	
D715,476	S	10/2014	Tien	
D755,607	S *	5/2016	Baber .....	D8/353
D770,075	S *	10/2016	Huang .....	D26/74
D789,587	S *	6/2017	Salomon .....	D26/74
D791,382	S *	7/2017	Holscher .....	D26/74
D791,996	S *	7/2017	Holscher .....	D26/74
D797,545	S *	9/2017	Poulheim .....	D13/156
D807,558	S *	1/2018	Guzzini .....	D26/74
D833,254	S *	11/2018	Karnani .....	D8/330
2016/0327251	A1	11/2016	Clark	

\* cited by examiner

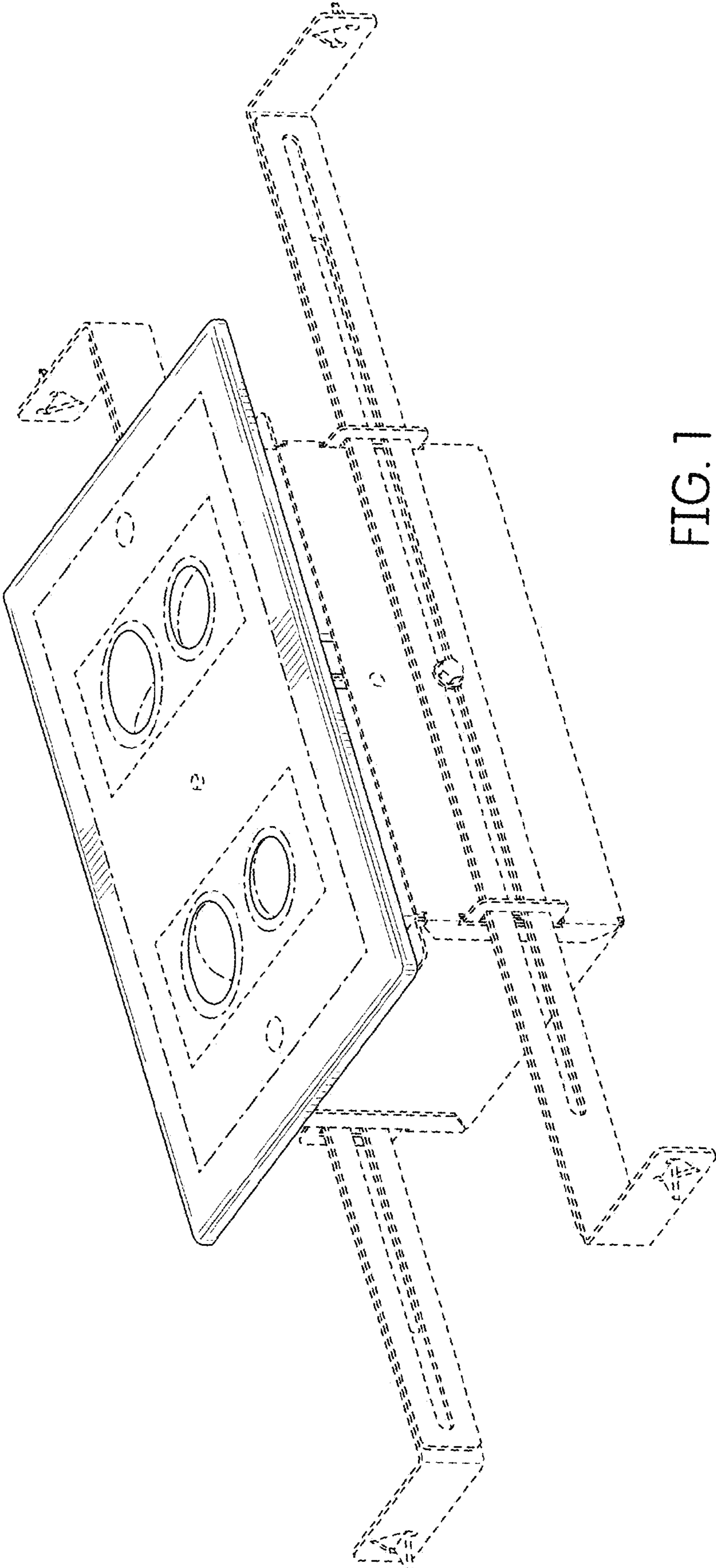


FIG. 1

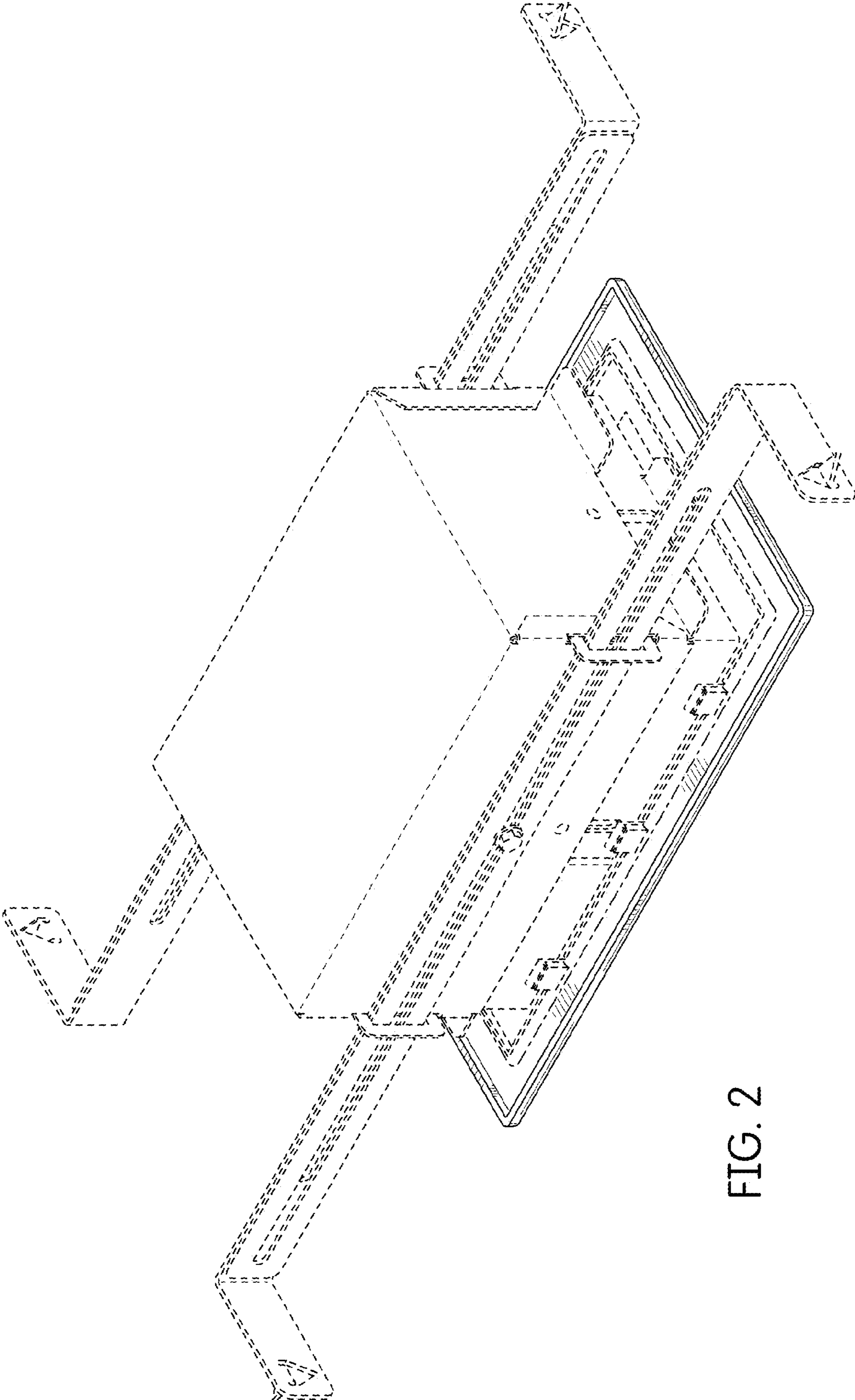


FIG. 2

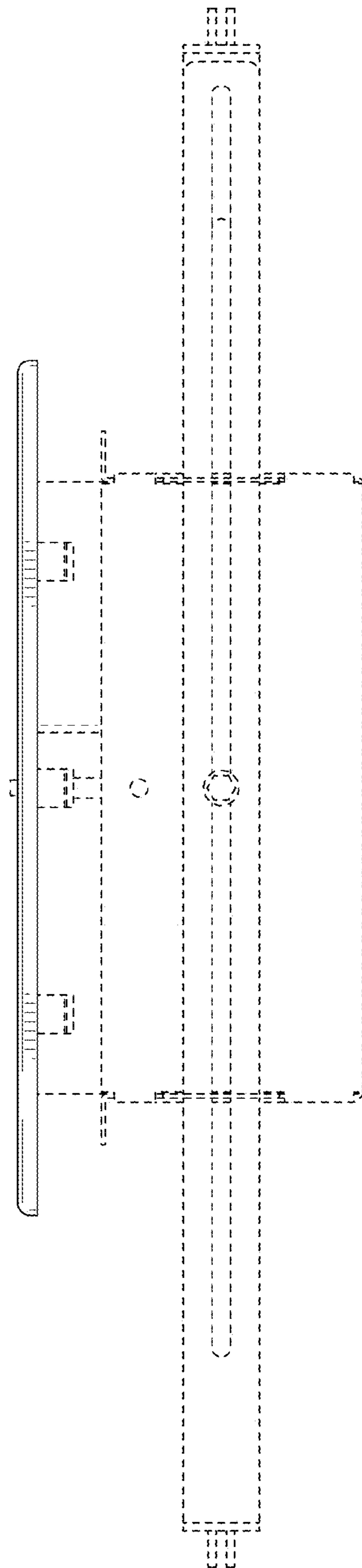


FIG. 3

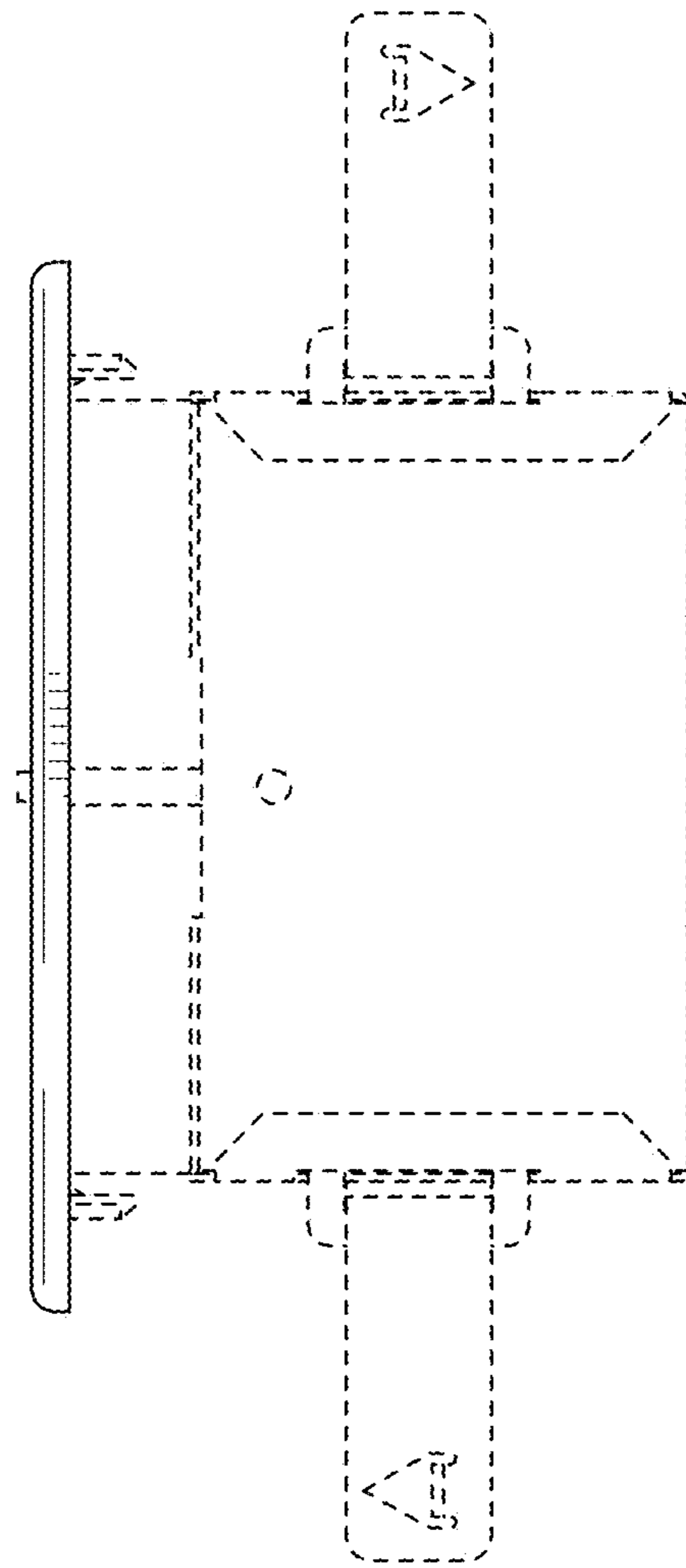


FIG. 4

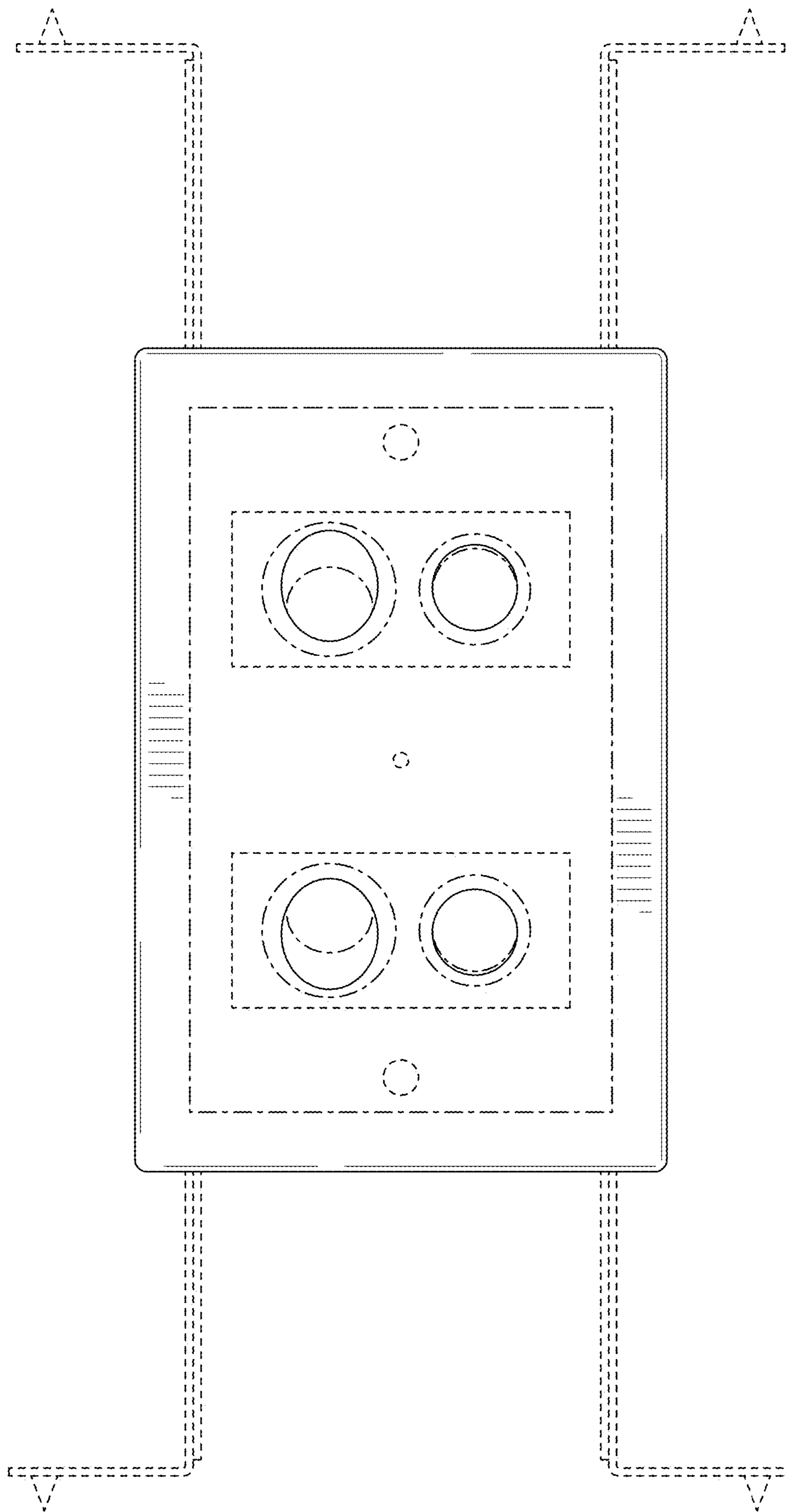


FIG. 5

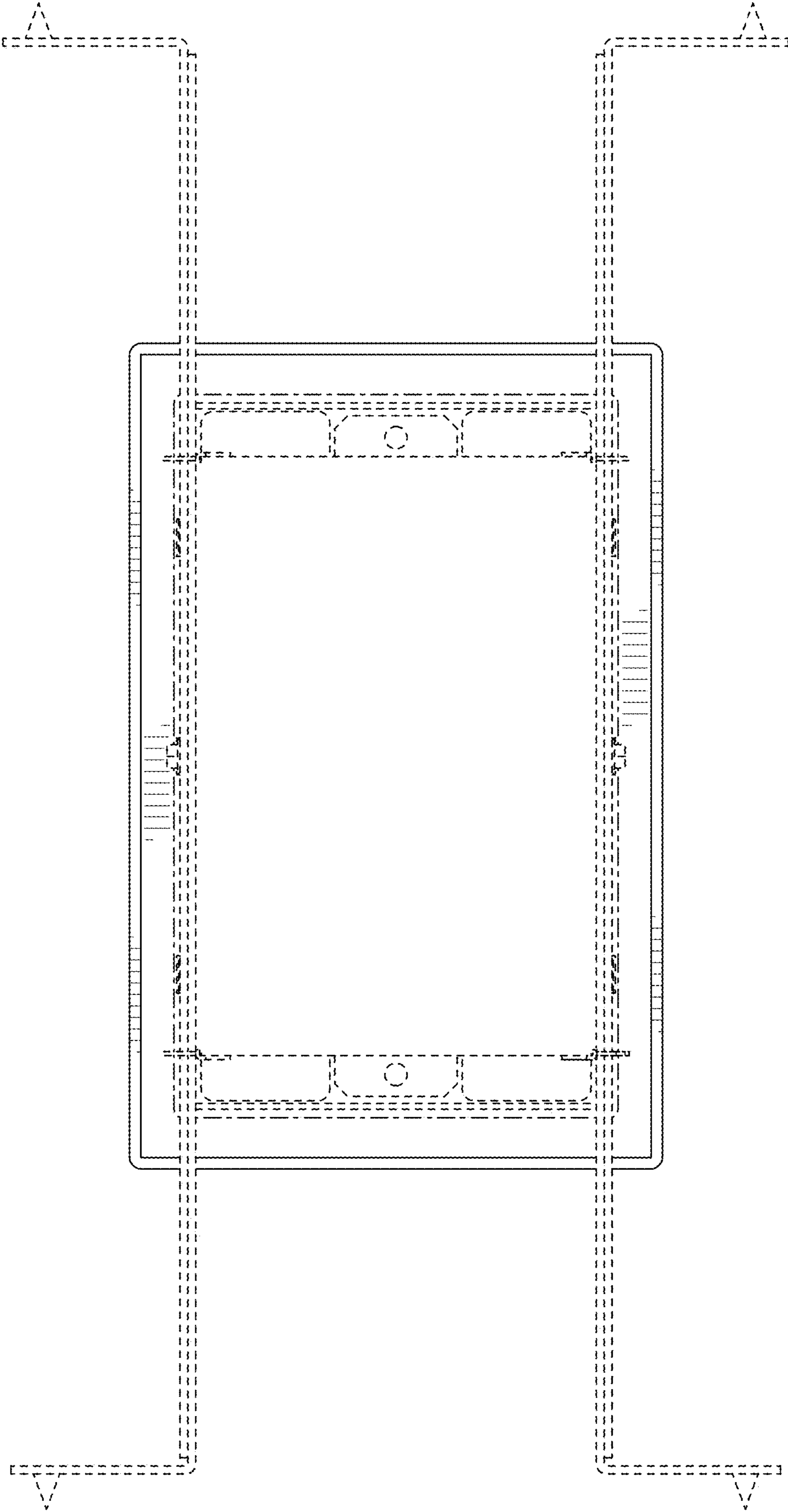


FIG. 6