



US00D902464S

(12) **United States Design Patent** (10) **Patent No.:** **US D902,464 S**  
**Gongola et al.** (45) **Date of Patent:** **\*\* Nov. 17, 2020**

(54) **AIRFIELD LIGHTING FIXTURE** 2015/0377463 A1\* 12/2015 Gongola ..... F21V 3/00  
 362/147  
 (71) Applicant: **EATON INTELLIGENT POWER** 2016/0273754 A1\* 9/2016 Gongola ..... F21V 29/90  
**LIMITED**, Dublin (IE) 2016/0304215 A1\* 10/2016 Ricca ..... H05B 45/00  
 2018/0327115 A1\* 11/2018 Hunter ..... B64F 1/20  
 2019/0101270 A1\* 4/2019 Cramer, Jr. .... F21V 15/01

(72) Inventors: **Paul Gongola**, Enfield, CT (US);  
**Oluwole Godfred Oyelola, Jr.**, Tolland,  
 CT (US)

(73) Assignee: **EATON INTELLIGENT POWER**  
**LIMITED**, Dublin (IE)

(\*\*) Term: **15 Years**

(21) Appl. No.: **29/647,540**

(22) Filed: **May 14, 2018**

(51) **LOC (12) Cl.** ..... **26-05**

(52) **U.S. Cl.**  
 USPC ..... **D26/67**

(58) **Field of Classification Search**  
 USPC ..... D26/67, 68, 72; D10/113.1, 114.1,  
 D10/114.6, 114.8  
 CPC ..... F21S 8/022; F21V 29/90; F21V 3/061;  
 F21W 2111/06  
 See application file for complete search history.

(56) **References Cited**

U.S. PATENT DOCUMENTS

4,499,527 A \* 2/1985 Tauber ..... F21V 21/06  
 362/267  
 4,521,836 A \* 6/1985 Puttemanns ..... F21V 21/30  
 362/145  
 4,638,411 A \* 1/1987 Trainor ..... F21S 8/00  
 362/145  
 D290,410 S \* 6/1987 Haggard ..... D26/68  
 D443,941 S \* 6/2001 Boeckley ..... D26/67  
 D515,723 S \* 2/2006 Chen ..... D26/2  
 D745,204 S \* 12/2015 Skira ..... D26/68  
 2011/0080097 A1\* 4/2011 Morrow ..... H05B 45/00  
 315/116

OTHER PUBLICATIONS

LED Elevated Runway Edge Light from liontrafficsafety.com vis-  
 ited May 5, 2020. (Year: 2020).\*  
 Eaton omnidirectional Elevated Edge Light—LED spec sheet revised  
 Jun. 2011. From cooperindustries.com visited May 5, 2020. (Year:  
 2020).\*  
 Eaton Elevated Runway Light spec sheet from cooperindustries.  
 com visited May 5, 2020. (Year: 2020).\*

\* cited by examiner

*Primary Examiner* — Clare E Heflin

(74) *Attorney, Agent, or Firm* — Pearne & Gordon LLP

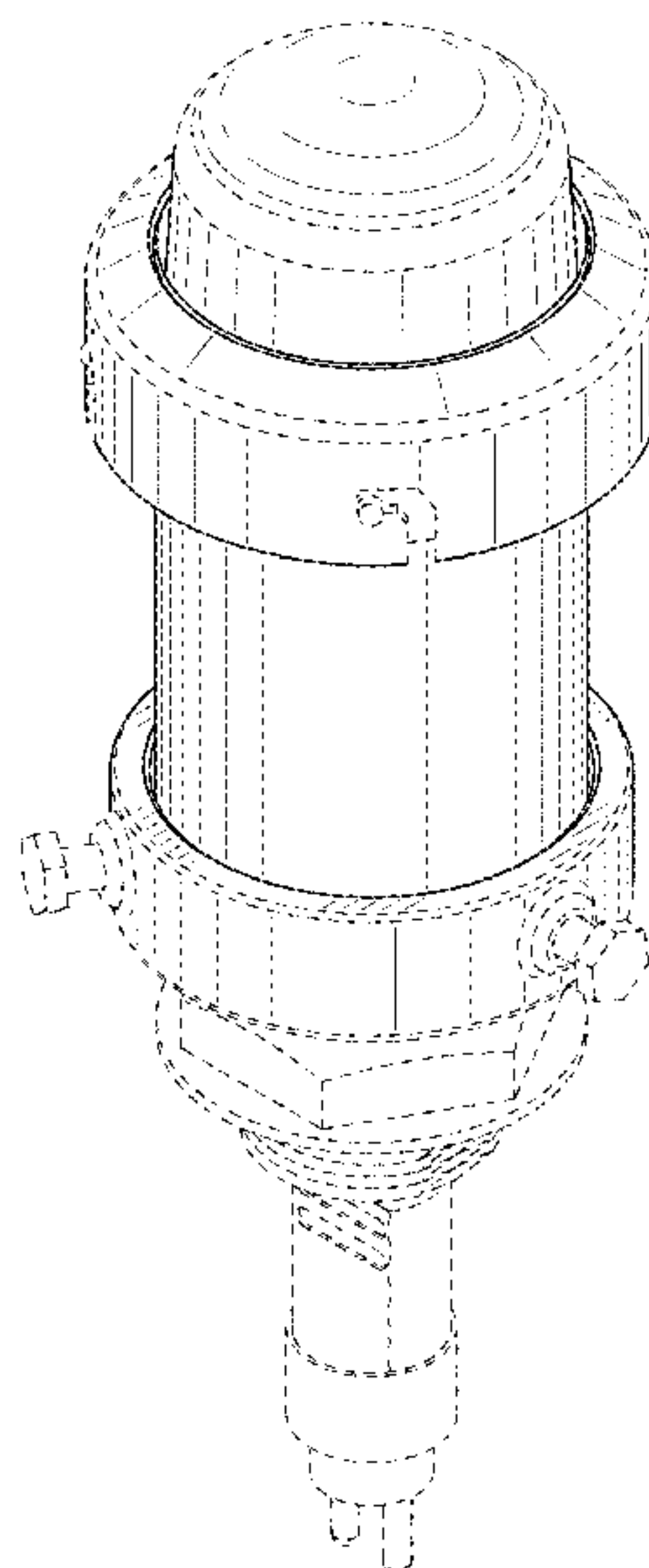
(57) **CLAIM**

The ornamental design for an airfield lighting fixture, as  
 shown and described.

**DESCRIPTION**

FIG. 1 is a perspective view of the airfield lighting fixture  
 showing our new design;  
 FIG. 2 is a right side view thereof, a left view being a mirror  
 image thereof;  
 FIG. 3 is a front view thereof;  
 FIG. 4 is a back view thereof;  
 FIG. 5 is a top view thereof; and,  
 FIG. 6 is a bottom view thereof.  
 The broken lines in the drawings are directed to environment  
 and are for illustrative purposes only; the broken lines form  
 no part of the claimed design.

**1 Claim, 4 Drawing Sheets**



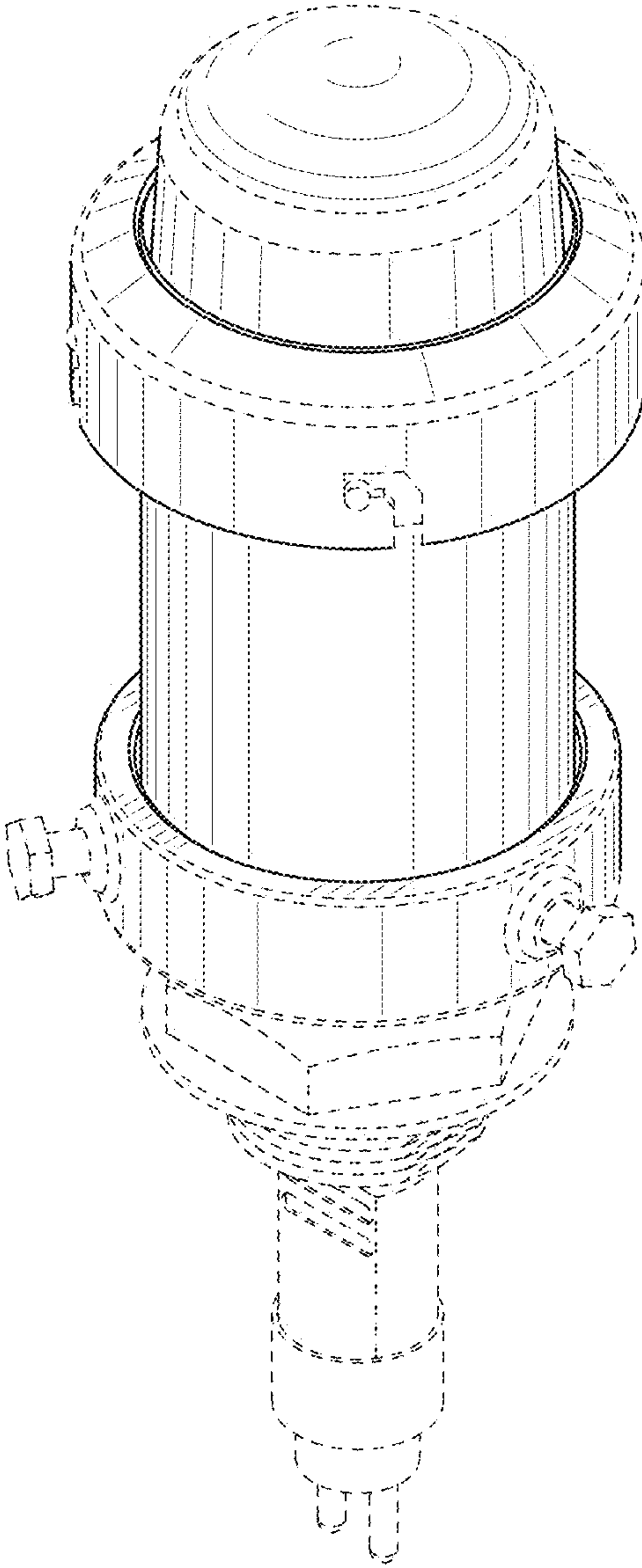


FIG. 1

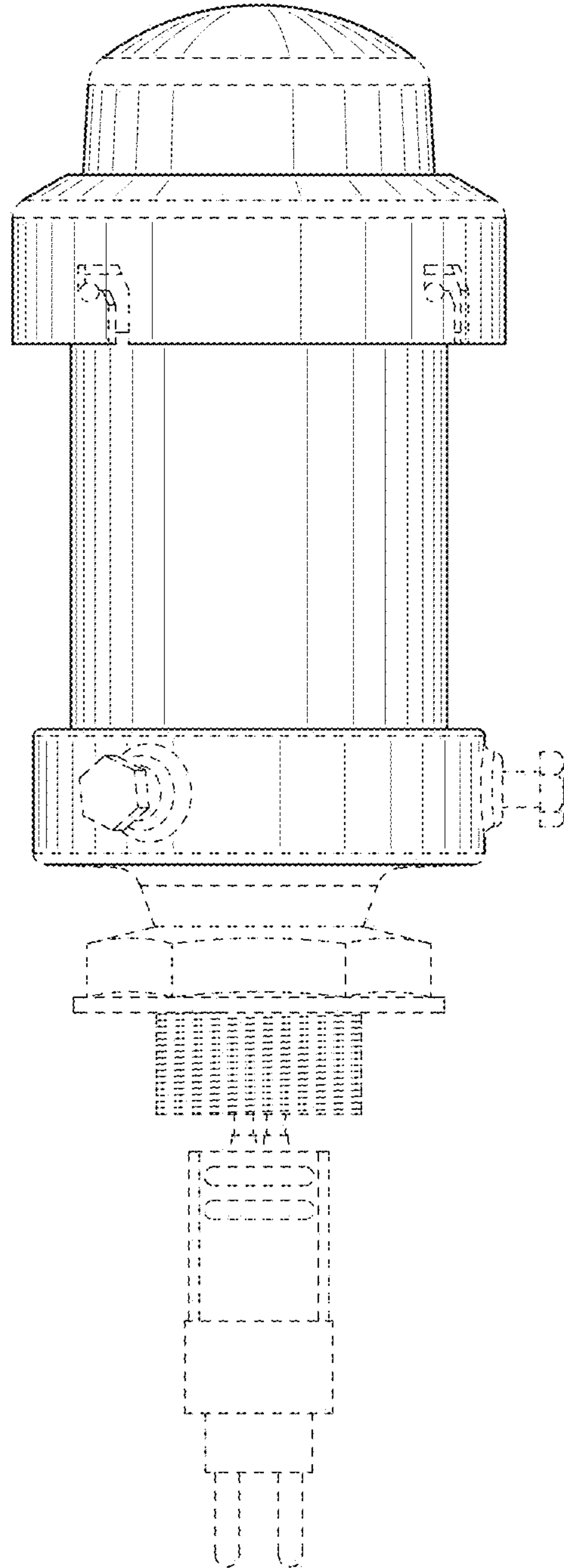


FIG. 2

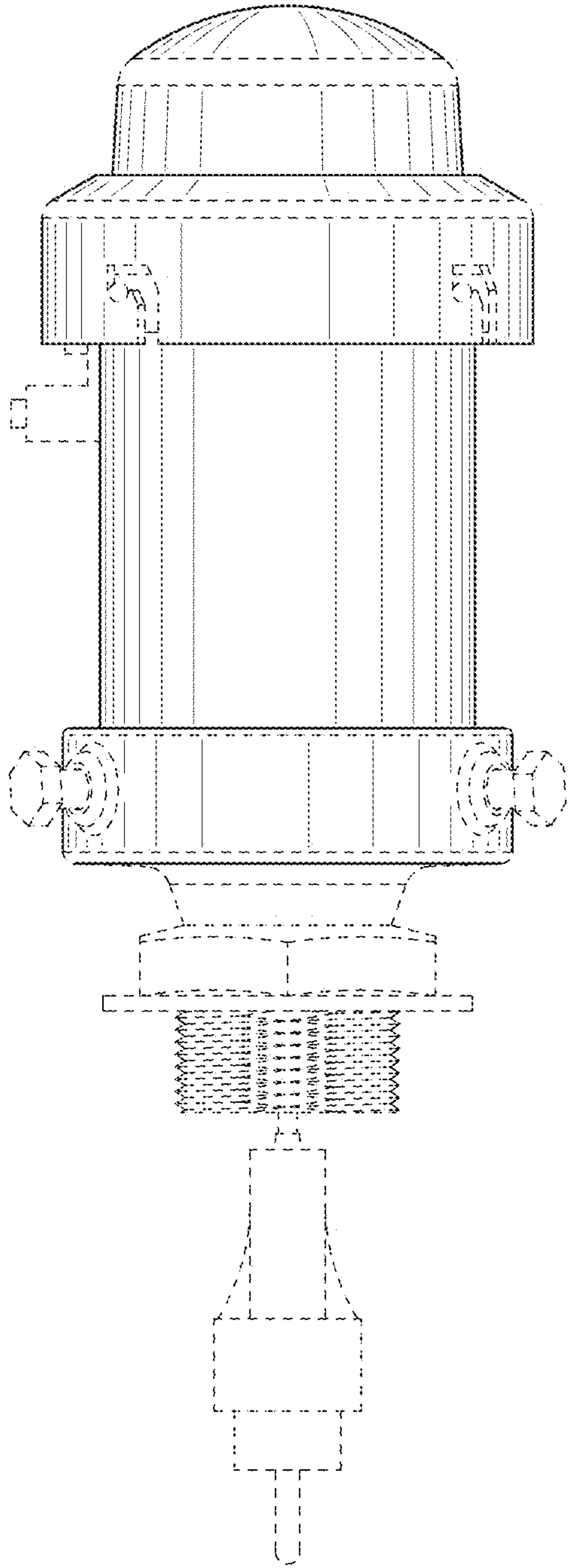


FIG. 3

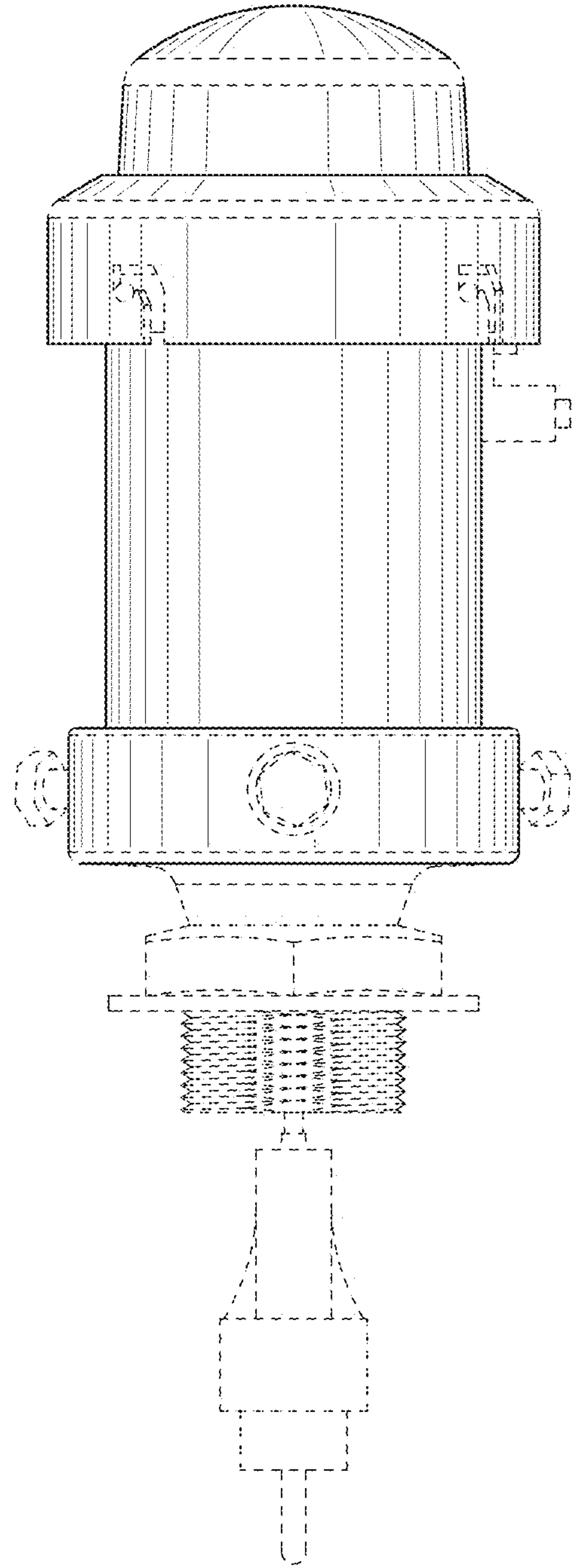


FIG. 4

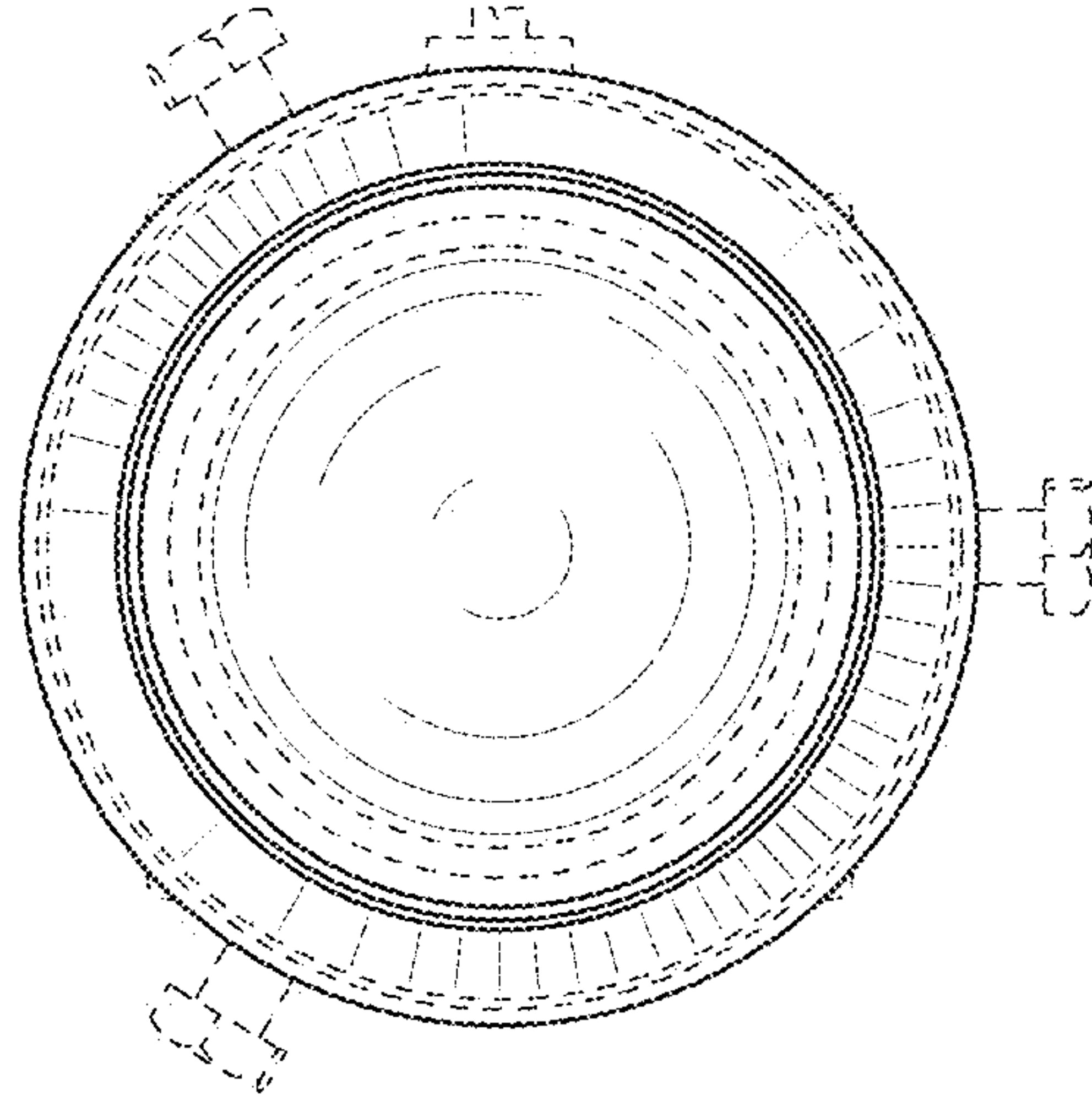


FIG. 5

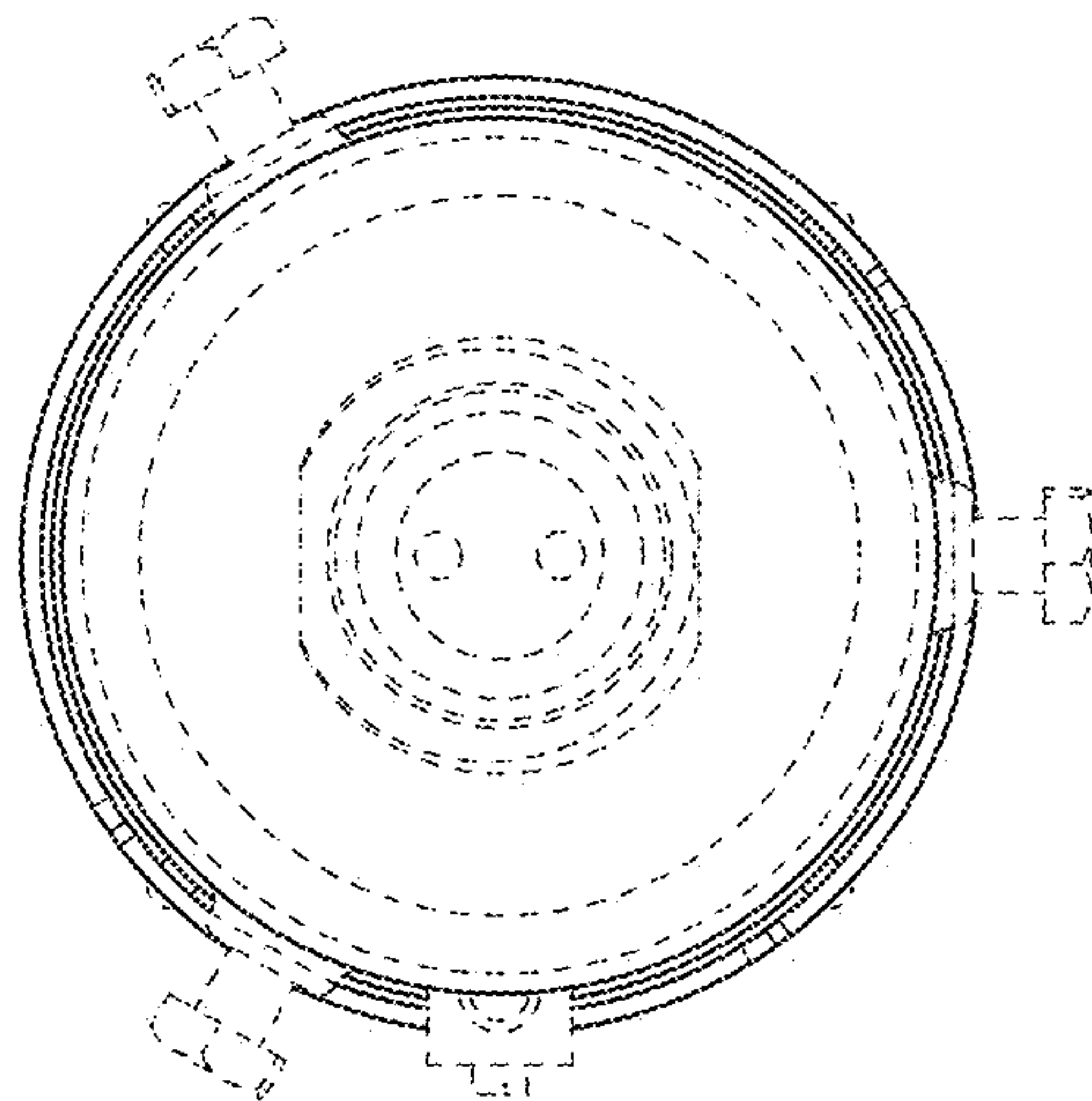


FIG. 6