



US00D902463S

(12) **United States Design Patent** (10) **Patent No.:** **US D902,463 S**
Harvey et al. (45) **Date of Patent:** **** Nov. 17, 2020**

(54) **STAND LIGHT**
(71) Applicant: **MILWAUKEE ELECTRIC TOOL CORPORATION**, Brookfield, WI (US)
(72) Inventors: **Kyle Harvey**, Wauwatosa, WI (US);
Ross McIntyre, Milwaukee, WI (US);
Eric Mackey, Milwaukee, WI (US);
Justin Dorman, Wauwatosa, WI (US)
(73) Assignee: **Milwaukee Electric Tool Corporation**,
Brookfield, WI (US)
(**) Term: **15 Years**
(21) Appl. No.: **29/731,144**
(22) Filed: **Apr. 13, 2020**

3,182,714 A 5/1965 Petrick
3,282,545 A 11/1966 Bieschke
3,331,958 A 7/1967 Adler
4,017,770 A 4/1977 West
4,097,013 A 6/1978 Broome
4,111,575 A 9/1978 Hoshino
4,228,489 A 10/1980 Martin
4,268,894 A 5/1981 Bartunek et al.
4,324,477 A 4/1982 Miyazaki
4,430,017 A 2/1984 Stefancich
4,470,106 A 9/1984 Norton
4,744,690 A 5/1988 Hsieh
5,203,621 A 4/1993 Weinmeister et al.
5,207,747 A 5/1993 Gordin et al.
5,396,162 A 3/1995 Brilmyer
5,400,234 A 3/1995 Yu
5,405,134 A 4/1995 Wolfram
5,428,520 A 6/1995 Skeif
5,541,822 A 7/1996 Bamber

(Continued)

Related U.S. Application Data

(63) Continuation of application No. 29/689,503, filed on
Apr. 30, 2019, now Pat. No. Des. 883,549, which is
a continuation of application No. 29/637,537, filed on
Feb. 20, 2018, now Pat. No. Des. 850,689, which is
a continuation of application No. 14/877,675, filed on
Oct. 7, 2015, now Pat. No. 10,378,739.
(51) **LOC (12) Cl.** **26-03**
(52) **U.S. Cl.**
USPC **D26/63**
(58) **Field of Classification Search**
USPC D26/1, 24, 61, 63, 65, 85, 92, 51, 111
CPC F21V 21/14; F21V 15/01; F21V 14/02;
F21V 21/30; F21V 21/00; F21V 14/00;
F21S 8/00; F21S 8/003; F21S 8/043;
F21Y 2105/001
See application file for complete search history.

FOREIGN PATENT DOCUMENTS

EP 193756 9/1986
EP 1205428 5/2002

(Continued)

Primary Examiner — Brian N. Vinson
(74) *Attorney, Agent, or Firm* — Michael Best &
Friedrich LLP

(57) **CLAIM**

We claim the ornamental design for a stand light, as shown
and described.

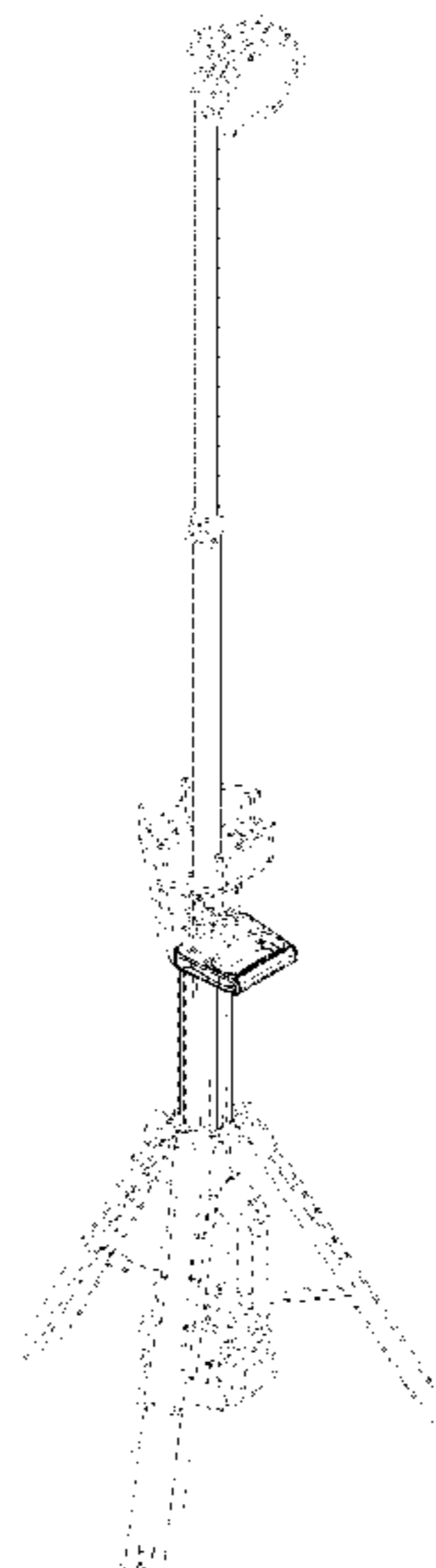
DESCRIPTION

The FIGURE is a perspective view of a stand light.
Portions of the stand light shown in broken lines are for
illustrative purposes only and form no part of the claimed
design.

(56) **References Cited**
U.S. PATENT DOCUMENTS

1,176,656 A 3/1916 Curtiss
2,409,075 A 10/1946 Starck

1 Claim, 1 Drawing Sheet



(56)

References Cited

U.S. PATENT DOCUMENTS

5,630,660 A	5/1997	Chen	7,990,062 B2	8/2011	Liu
5,684,452 A	11/1997	Wang	7,997,753 B2	8/2011	Walesa et al.
5,713,662 A	2/1998	Kira	8,007,128 B2	8/2011	Wu et al.
5,934,628 A	8/1999	Bosnakovic	8,007,145 B2	8/2011	Leen
5,964,524 A	10/1999	Qian	8,029,169 B2	10/2011	Liu
6,045,240 A	4/2000	Hochstein	8,047,481 B2	11/2011	Shen
6,045,288 A	4/2000	Pasternak et al.	8,047,498 B1	11/2011	Karty
D428,176 S	7/2000	Bamber et al.	8,087,797 B2	1/2012	Pelletier et al.
6,092,911 A	7/2000	Baker, III et al.	8,142,045 B2	3/2012	Peak
6,099,142 A	8/2000	Liu	8,167,466 B2	5/2012	Liu
6,142,699 A	11/2000	Pao	8,201,979 B2	6/2012	Deighton et al.
6,149,283 A	11/2000	Conway et al.	8,220,968 B2	7/2012	Hartmann, Jr. et al.
6,213,626 B1	4/2001	Qian	D665,521 S	8/2012	Werner et al.
6,255,786 B1	7/2001	Yen	8,235,552 B1	8/2012	Tsuge
6,265,969 B1	7/2001	Shih	8,262,248 B2	9/2012	Wessel
6,312,184 B1	11/2001	Hoshino	8,294,340 B2	10/2012	Yu et al.
D452,022 S	12/2001	Osiecki et al.	8,322,892 B2	12/2012	Scordino et al.
6,326,882 B1	12/2001	Chiu et al.	8,328,398 B2	12/2012	Van Deursen
6,367,949 B1	4/2002	Pederson	8,330,337 B2	12/2012	Yu et al.
6,379,023 B1	4/2002	Passno	8,366,290 B2	2/2013	Maglica
6,461,017 B2	10/2002	Selkee	8,403,522 B2	3/2013	Chang
6,474,844 B1	11/2002	Ching	8,425,091 B2	4/2013	Chen
6,554,459 B2	4/2003	Yu et al.	8,439,531 B2	5/2013	Trott et al.
6,637,904 B2	10/2003	Hernandez	8,465,178 B2	6/2013	Wilcox et al.
6,736,531 B2	5/2004	Wallach	8,547,022 B2	10/2013	Summerford et al.
6,799,335 B1	10/2004	Zadro	D695,434 S	12/2013	Shen
6,824,297 B1	11/2004	Lee	8,599,097 B2	12/2013	Intravatola
6,854,862 B1	2/2005	Hopf	8,608,118 B2	12/2013	Lai
6,857,756 B2	2/2005	Reiff et al.	D698,471 S	1/2014	Poon
6,873,249 B2	3/2005	Chu	D699,874 S	2/2014	Chilton et al.
6,899,441 B2	5/2005	Chen	8,651,438 B2	2/2014	Deighton et al.
D506,847 S	6/2005	Hussaini et al.	8,659,443 B2	2/2014	Mandel
6,902,294 B2	6/2005	Wright	8,696,177 B1	4/2014	Frost
6,877,881 B2	8/2005	Tsao	D705,467 S	5/2014	Aglassinger
6,926,428 B1	8/2005	Lee	D708,376 S	7/2014	Crowe et al.
6,933,686 B1	8/2005	Bishel	8,801,226 B2	8/2014	Moore
7,001,044 B2	2/2006	Leen	8,832,910 B2	9/2014	Lah
7,001,047 B2	2/2006	Holder et al.	8,833,985 B2	9/2014	Robertson et al.
7,011,280 B2	3/2006	Murray et al.	8,858,026 B2	10/2014	Lee et al.
7,026,729 B2	4/2006	Homan et al.	8,931,932 B2	1/2015	Lipscomb et al.
7,063,444 B2	6/2006	Lee et al.	8,939,602 B2	1/2015	Wessel
7,073,926 B1	7/2006	Kremers et al.	8,979,331 B2	3/2015	Lee et al.
7,084,531 B2	8/2006	Bruwer	D726,354 S	4/2015	Davies
D532,536 S	11/2006	Krieger et al.	D728,402 S	5/2015	Case
7,152,997 B1	12/2006	Kovacik et al.	D730,553 S *	5/2015	Naksen D26/63
7,153,004 B2	12/2006	Galli	9,068,736 B2	6/2015	Lee et al.
7,194,358 B2	3/2007	Callaghan et al.	D743,603 S *	11/2015	Inskeep D26/63
7,195,377 B2	3/2007	Tsai	9,222,633 B2	12/2015	Inskeep
7,207,689 B2	4/2007	Tait	D747,263 S	1/2016	Lafferty
7,224,271 B2	5/2007	Wang	9,380,844 B1	7/2016	Luo
7,246,927 B2	7/2007	Wikle et al.	9,605,816 B2	3/2017	Lin et al.
D553,281 S	10/2007	Rugendyke et al.	9,631,656 B2	4/2017	Sato
D553,771 S	10/2007	Watson et al.	9,764,458 B1	9/2017	Resh
7,278,761 B2	10/2007	Kuan	9,810,408 B2	11/2017	Fang
7,293,934 B1	11/2007	Huang	9,816,661 B2	11/2017	Sharrah et al.
7,294,977 B1	11/2007	Eusterbrock et al.	2002/0030146 A1	3/2002	Akaike
7,364,320 B2	4/2008	Van Deursen et al.	2002/0136005 A1	9/2002	Lee
7,367,695 B2	5/2008	Shiau	2002/0167814 A1	11/2002	Ching
7,395,830 B2	7/2008	Seo	2002/0172043 A1	11/2002	Ching
7,466,040 B2	12/2008	Bruwer	2003/0090904 A1	5/2003	Ching
7,470,036 B2	12/2008	Deighton et al.	2003/0137847 A1	7/2003	Cooper
7,484,858 B2	2/2009	Deighton et al.	2003/0174503 A1	9/2003	Yeuh
7,503,530 B1	3/2009	Brown	2005/0036308 A1	2/2005	Wright
7,566,151 B2	7/2009	Whelan et al.	2005/0117340 A1	6/2005	Lee et al.
7,618,154 B2	11/2009	Rosiello	2006/0007682 A1	1/2006	Reiff, Jr. et al.
7,638,970 B1	12/2009	Gebhard et al.	2006/0061991 A1	3/2006	Yeh
7,670,034 B2	3/2010	Zhang et al.	2006/0067077 A1	3/2006	Kumthampinij et al.
D623,786 S *	9/2010	Wessel D26/51	2006/0146550 A1	7/2006	Simpson et al.
7,837,344 B2	11/2010	Altonen et al.	2006/0250745 A1	11/2006	Butler et al.
7,857,486 B2	12/2010	Long et al.	2006/0279948 A1	12/2006	Tsai
7,859,136 B2	12/2010	Blair et al.	2006/0285323 A1	12/2006	Fowler
7,914,178 B2	3/2011	Xiang et al.	2007/0103907 A1	5/2007	Popowich et al.
7,914,182 B2	3/2011	Mrakovich et al.	2007/0211470 A1	9/2007	Huang
D643,138 S	8/2011	Kawase et al.	2007/0223239 A1	9/2007	Thompson et al.
7,988,335 B2	8/2011	Liu et al.	2007/0297167 A1	12/2007	Greenhoe
			2008/0112170 A1	5/2008	Trott et al.
			2008/0158887 A1	7/2008	Zhu et al.
			2008/0165537 A1	7/2008	Shiau
			2008/0198588 A1	8/2008	O'Hern

(56)

References Cited

U.S. PATENT DOCUMENTS

2008/0253125 A1 10/2008 Kang et al.
 2008/0302933 A1 12/2008 Cardellini
 2009/0040774 A1 2/2009 Avila et al.
 2009/0058315 A1 3/2009 Baeumle
 2009/0080205 A1 3/2009 Chang et al.
 2009/0134191 A1 5/2009 Phillips
 2009/0135594 A1 5/2009 Yu et al.
 2009/0152413 A1 6/2009 Takegawa
 2009/0161375 A1 6/2009 Li et al.
 2009/0206226 A1 8/2009 Forrest et al.
 2009/0303717 A1 12/2009 Long et al.
 2010/0027260 A1 2/2010 Liu
 2010/0027269 A1 2/2010 Lo et al.
 2010/0039792 A1 2/2010 Meyers et al.
 2010/0072897 A1 3/2010 Zheng
 2010/0080005 A1 4/2010 Gattari
 2010/0091495 A1 4/2010 Patrick
 2010/0142213 A1 6/2010 Bigge et al.
 2010/0315824 A1 12/2010 Chen
 2010/0328951 A1 12/2010 Boissevain
 2011/0031887 A1 2/2011 Stoll et al.
 2011/0036694 A1 2/2011 Daffin, III
 2011/0038144 A1 2/2011 Chang
 2011/0050070 A1 3/2011 Pickard
 2011/0058367 A1 3/2011 Shiau et al.
 2011/0075404 A1 3/2011 Allen et al.
 2011/0121727 A1 5/2011 Sharrah et al.
 2011/0211340 A1 9/2011 Smith
 2011/0228524 A1 9/2011 Greer
 2011/0286216 A1 11/2011 Araman
 2011/0317420 A1 12/2011 Jeon et al.
 2012/0026729 A1 2/2012 Sanchez et al.
 2012/0033400 A1 2/2012 Remus et al.
 2012/0033429 A1 2/2012 Van De Ven
 2012/0044707 A1 2/2012 Breidenassel
 2012/0048511 A1 3/2012 Moshtagh
 2012/0049717 A1 3/2012 Lu
 2012/0057351 A1 3/2012 Wilcox et al.
 2012/0087118 A1 4/2012 Bailey et al.
 2012/0087125 A1 4/2012 Liu

2012/0098437 A1 4/2012 Smed
 2012/0120674 A1 5/2012 Jonker
 2012/0140455 A1 6/2012 Chang
 2012/0155104 A1 6/2012 Jonker
 2012/0188776 A1 7/2012 Chen
 2012/0212963 A1 8/2012 Jigamian
 2012/0234519 A1 9/2012 Lee
 2012/0236551 A1 9/2012 Sharrah et al.
 2012/0247735 A1 10/2012 Ito et al.
 2012/0261530 A1 10/2012 Deighton et al.
 2012/0262917 A1 10/2012 Courcelle
 2012/0300487 A1 11/2012 Jonker
 2013/0032323 A1 2/2013 Hsu
 2013/0039081 A1 2/2013 Czipri et al.
 2013/0058078 A1 3/2013 Meng
 2013/0077296 A1 3/2013 Goeckel et al.
 2013/0094196 A1 4/2013 Wessel
 2013/0128565 A1 5/2013 Cugini et al.
 2013/0176713 A1 7/2013 Deighton et al.
 2013/0187785 A1 7/2013 McIntosh et al.
 2013/0258645 A1 10/2013 Weber et al.
 2013/0265780 A1 10/2013 Choski et al.
 2013/0322073 A1 12/2013 Hamm et al.
 2014/0140050 A1 5/2014 Wong et al.
 2014/0192543 A1 7/2014 Deighton et al.
 2014/0218936 A1 8/2014 Mahling et al.
 2014/0268775 A1 9/2014 Kennemer et al.
 2014/0301066 A1 10/2014 Inskoop
 2014/0307443 A1 10/2014 Clifford et al.
 2014/0376216 A1 12/2014 McLoughlin et al.
 2015/0023771 A1 1/2015 Carr et al.
 2015/0233569 A1 8/2015 Xue et al.
 2015/0233571 A1 8/2015 Inan et al.

FOREIGN PATENT DOCUMENTS

EP 2436641 4/2012
 GB 2424694 10/2006
 KR 20100116933 11/2010
 WO 2002044503 6/2002
 WO 2014083117 6/2014
 WO 2014207595 12/2014

* cited by examiner

