



US00D902462S

(12) **United States Design Patent**
Badarello

(10) **Patent No.:** **US D902,462 S**

(45) **Date of Patent:** **** Nov. 17, 2020**

(54) **CEILING FAN LIGHT KIT**

(71) Applicant: **HUNTER FAN COMPANY**,
Memphis, TN (US)

(72) Inventor: **Christophe Badarello**, Holly Springs,
MS (US)

(73) Assignee: **Hunter Fan Company**, Memphis, TN
(US)

(**) Term: **15 Years**

(21) Appl. No.: **29/645,996**

(22) Filed: **May 1, 2018**

Related U.S. Application Data

(63) Continuation of application No. 29/617,931, filed on
Sep. 18, 2017, now Pat. No. Des. 820,970, which is
a continuation of application No. 29/514,389, filed on
Jan. 12, 2015, now Pat. No. Des. 803,379.

(51) **LOC (12) Cl.** **26-05**

(52) **U.S. Cl.**
USPC **D26/59**

(58) **Field of Classification Search**
USPC D23/370–385, 411–414; D26/59, 49, 72,
D26/88, 89, 118, 124
CPC F04D 25/088; F04D 29/38; F04D 29/384;
F04D 29/386; F21V 33/0096
See application file for complete search history.

(56) **References Cited**

U.S. PATENT DOCUMENTS

2,022,417 A	11/1935	Gilbert et al.
2,095,223 A	10/1937	Samuels
D125,957 S	3/1941	Moeller
D189,300 S	11/1960	McLean
D206,695 S	1/1967	Dickinson
D209,250 S	11/1967	Grad
4,893,990 A	1/1990	Tomohiro et al.

D329,088 S	9/1992	Yuen	
D394,103 S *	5/1998	Lee D23/377
D397,427 S	8/1998	Junkel et al.	
D419,669 S	1/2000	Shinshi et al.	
D438,609 S	3/2001	Colliver	
D451,997 S	12/2001	Schwartz	

(Continued)

OTHER PUBLICATIONS

<http://www.kichler.com/products/product/terna-led-pendant-fan-brushed-nickel-ni-300230ni.aspx>, Item Specification for Terna LED Pendant Fan—Brushed Nickel NI 300230NI, accessed Apr. 9, 2015.

(Continued)

Primary Examiner — Cathron C Brooks

Assistant Examiner — Sharon S Oum

(74) *Attorney, Agent, or Firm* — McGarry Bair PC

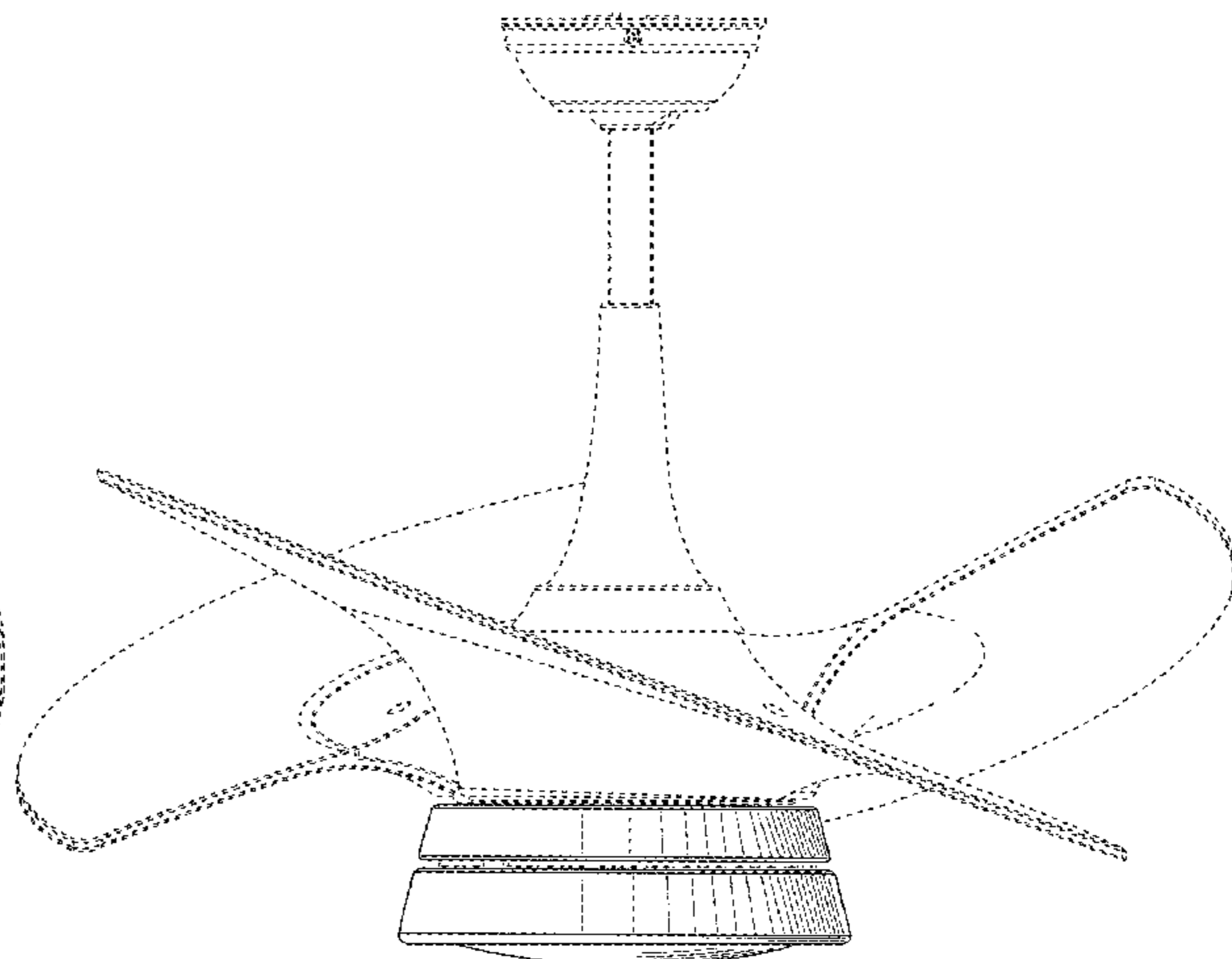
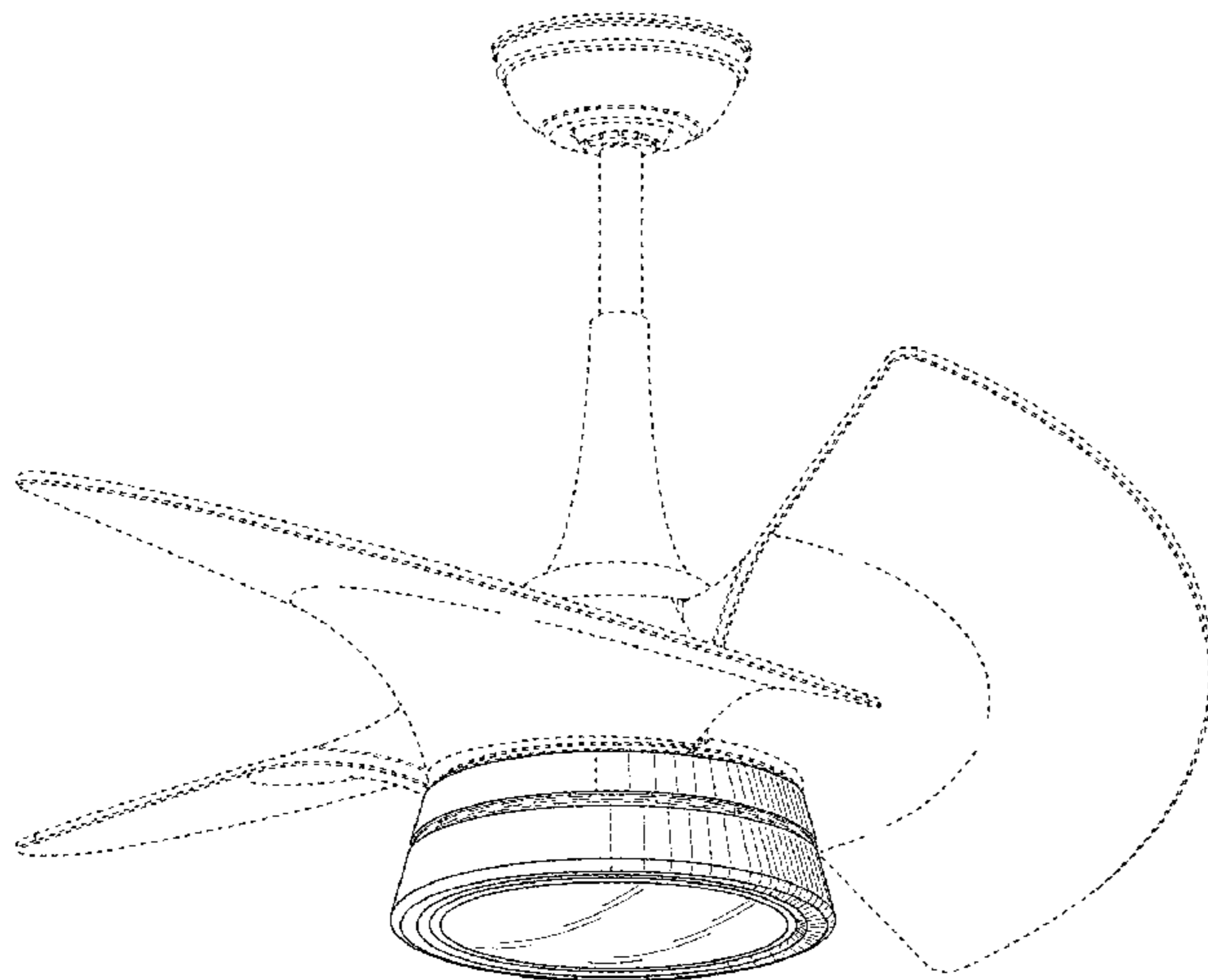
(57) **CLAIM**

The ornamental design for a ceiling fan light kit, as shown and described.

DESCRIPTION

FIG. 1 is a top perspective view of a ceiling fan light kit in the environment of a ceiling fan, showing my new design; FIG. 2 is a bottom perspective view of the ceiling fan light kit in the environment of the ceiling fan of FIG. 1; FIG. 3 is a side view of the ceiling fan light kit in the environment of the ceiling fan of FIG. 1; FIG. 4 is a front view of the ceiling fan light kit in the environment of the ceiling fan of FIG. 1; FIG. 5 is a top view of the ceiling fan light kit in the environment of the ceiling fan of FIG. 1; and, FIG. 6 is a bottom view of the ceiling fan light kit in the environment of the ceiling fan of FIG. 1. Portions of the ceiling fan light kit and ceiling fan environment shown in broken lines form no part of the claimed design.

1 Claim, 6 Drawing Sheets



(56)

References Cited

U.S. PATENT DOCUMENTS

D454,390 S 3/2002 Steiner
 D454,631 S 3/2002 Steiner
 D468,010 S 12/2002 Ishijima et al.
 D477,393 S 7/2003 Johnson
 D484,064 S 11/2003 Steiner et al.
 6,702,552 B1 3/2004 Harman
 D488,554 S * 4/2004 Bacon D23/411
 6,902,377 B2 6/2005 Crocker
 D509,584 S 9/2005 Li et al.
 D513,317 S 12/2005 Melwani
 D558,324 S 12/2007 Hong
 D561,888 S 2/2008 Yang et al.
 D583,984 S * 12/2008 Takahashi D26/89
 D595,401 S 6/2009 Sturm et al.
 D597,649 S 8/2009 Frampton
 D605,751 S * 12/2009 Yang D23/377
 D629,501 S 12/2010 Liu
 D636,480 S 4/2011 Frampton
 D645,556 S 9/2011 Orozco
 8,043,064 B2 10/2011 Huang et al.
 D663,470 S * 7/2012 Ruiz D26/88
 D671,203 S 11/2012 Wang
 D681,188 S 4/2013 Hu et al.
 D688,783 S 8/2013 DeFilippis
 D725,252 S 3/2015 Hamada et al.
 D725,254 S 3/2015 Roblin
 D727,490 S 4/2015 Hatz
 D755,945 S 5/2016 Arai et al.
 D755,947 S 5/2016 Arai et al.
 D759,877 S * 6/2016 Hewitt D26/89
 D761,949 S 7/2016 Badarello

D762,841 S 8/2016 Wilkins
 D781,487 S * 3/2017 Starck D26/89
 D799,661 S * 10/2017 Holmes D23/377
 D799,669 S 10/2017 Wang
 D803,379 S 11/2017 Badarello
 D804,011 S * 11/2017 Holmes D23/377
 D804,647 S 12/2017 Chang et al.
 D805,175 S * 12/2017 Hagggar D23/377
 D806,225 S 12/2017 Chang et al.
 D807,562 S * 1/2018 Amato D26/88
 D814,097 S * 3/2018 Hewitt D26/89
 D819,799 S * 6/2018 Wang D23/377
 D822,192 S * 7/2018 Hagggar D23/411
 D834,002 S * 11/2018 Bergfeldt D14/218
 2006/0172688 A1 8/2006 Johnson
 2008/0253896 A1 10/2008 Walls
 2008/0298968 A1 12/2008 Frampton et al.
 2012/0219440 A1 8/2012 Seccareccia

OTHER PUBLICATIONS

<http://www.montecarlofans.com/product.search?SS=elliptical>, Item Specification for Elliptical 44" Ceiling Fan 3ELR44WH, accessed Apr. 9, 2015.
<http://www.quoruminternational.com/index.cfm/app/productDetail?product=26424-155>, Item Specification for Brushed Nickel Ceiling Fan 26424-155, accessed Apr. 9, 2015.
<http://www.homedepot.com/p/TroposAir-The-L-A-44-in-Indoor-Outdoor-Satin-Steel-Ceiling-Fan-88300/204163230>, Item Specification for The L.A. 44 in. Indoor/Outdoor Satin Steel Ceiling Fan 88300, accessed Apr. 9, 2015.

* cited by examiner

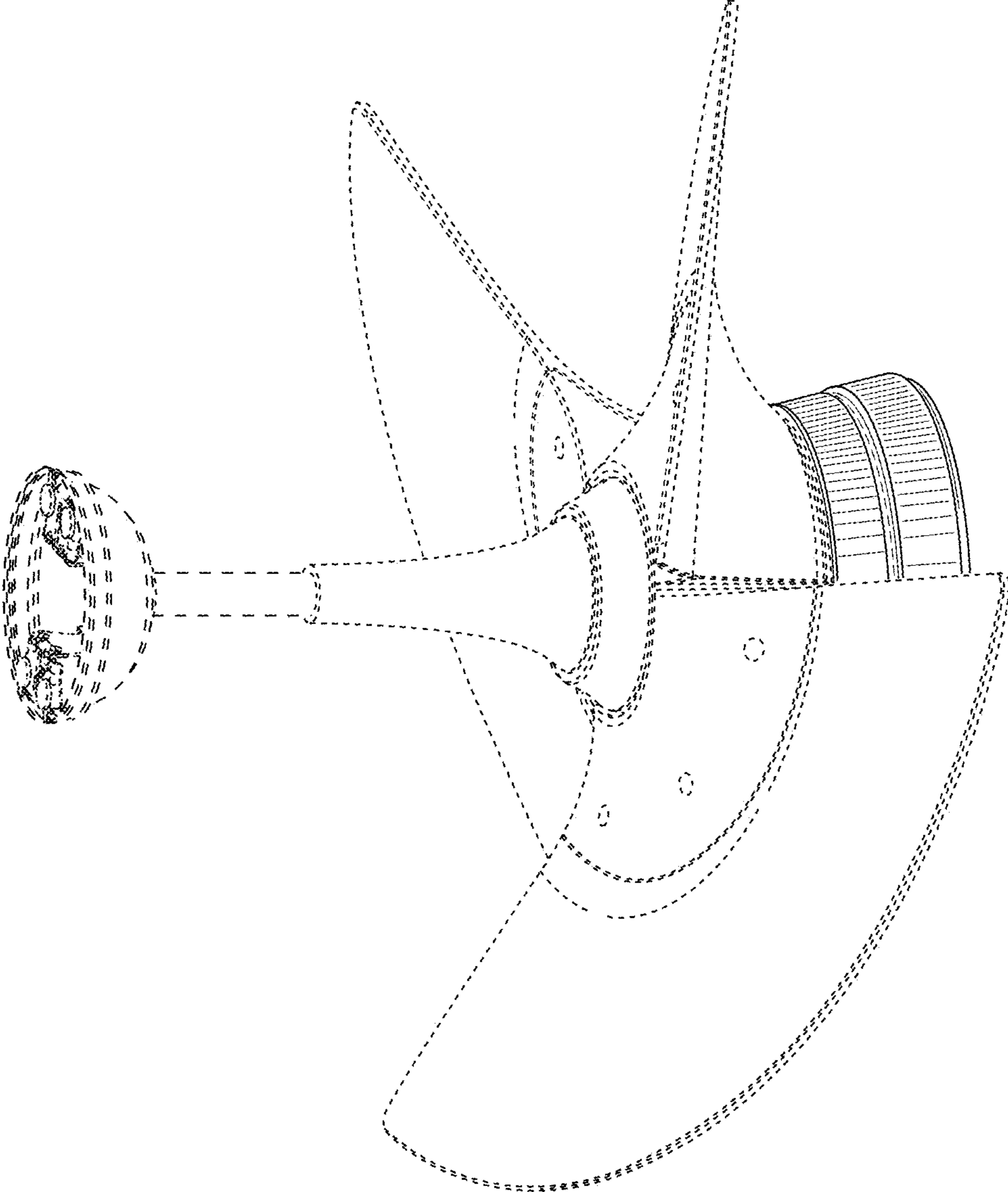


FIG. 1

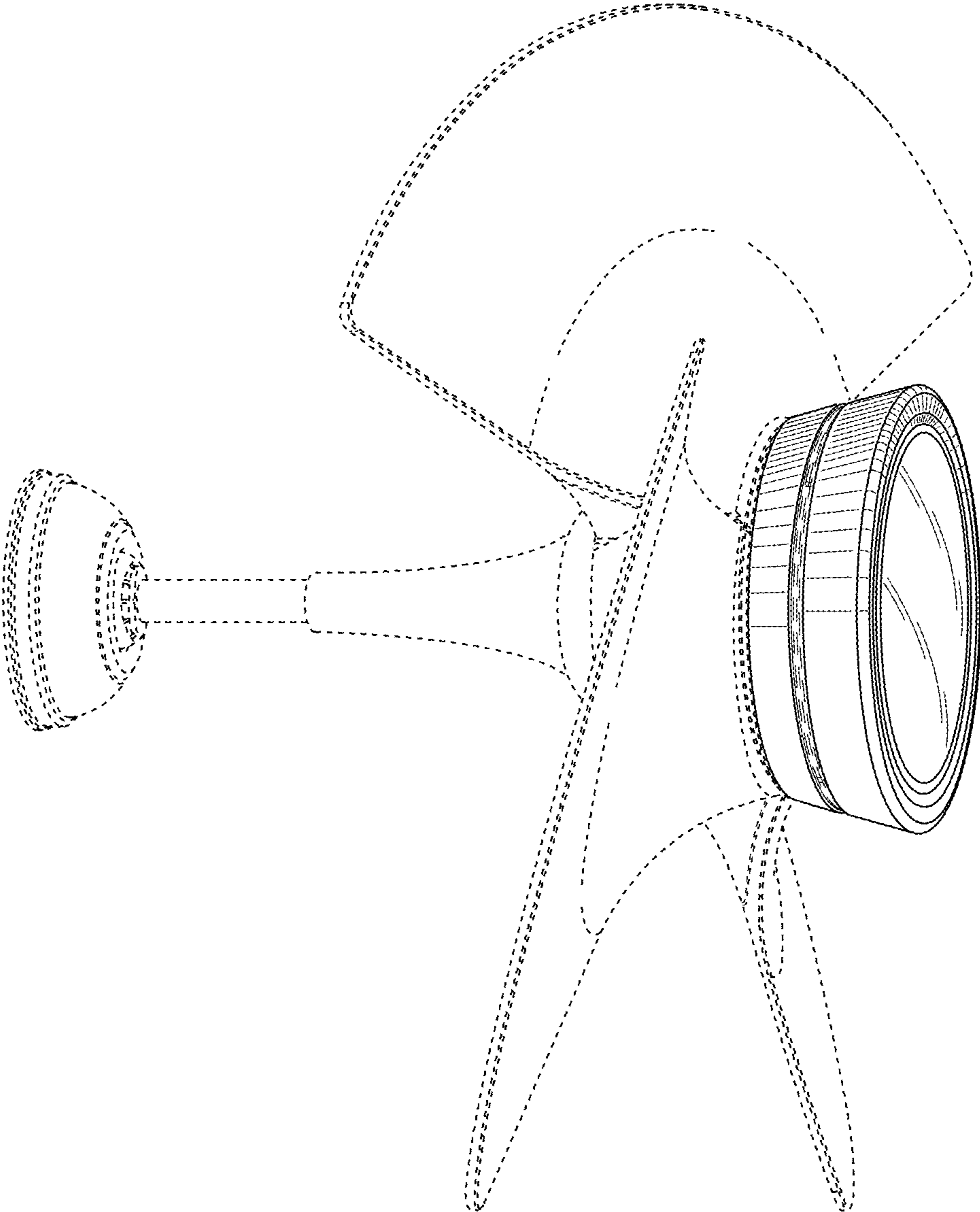


FIG. 2

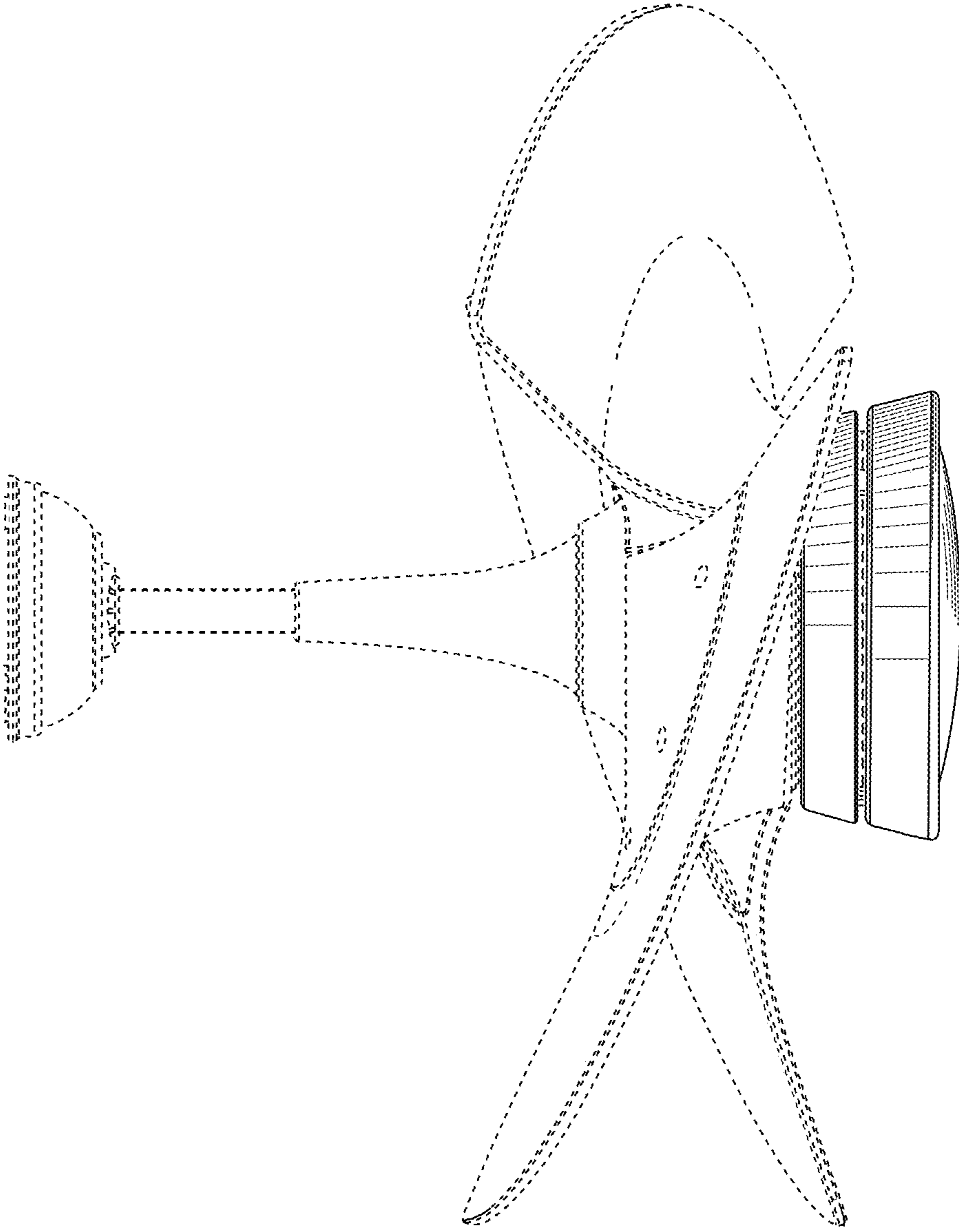


FIG. 3

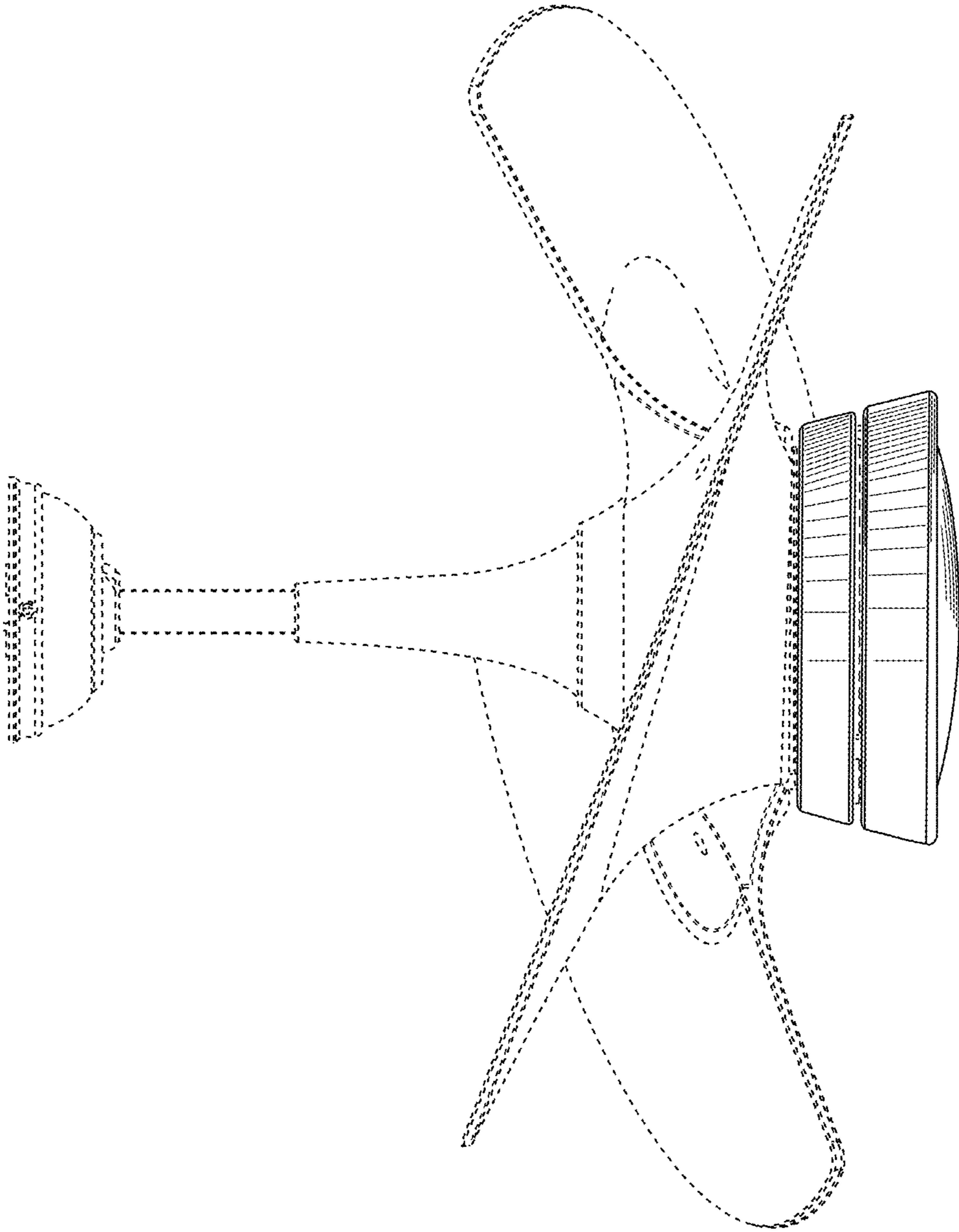


FIG. 4

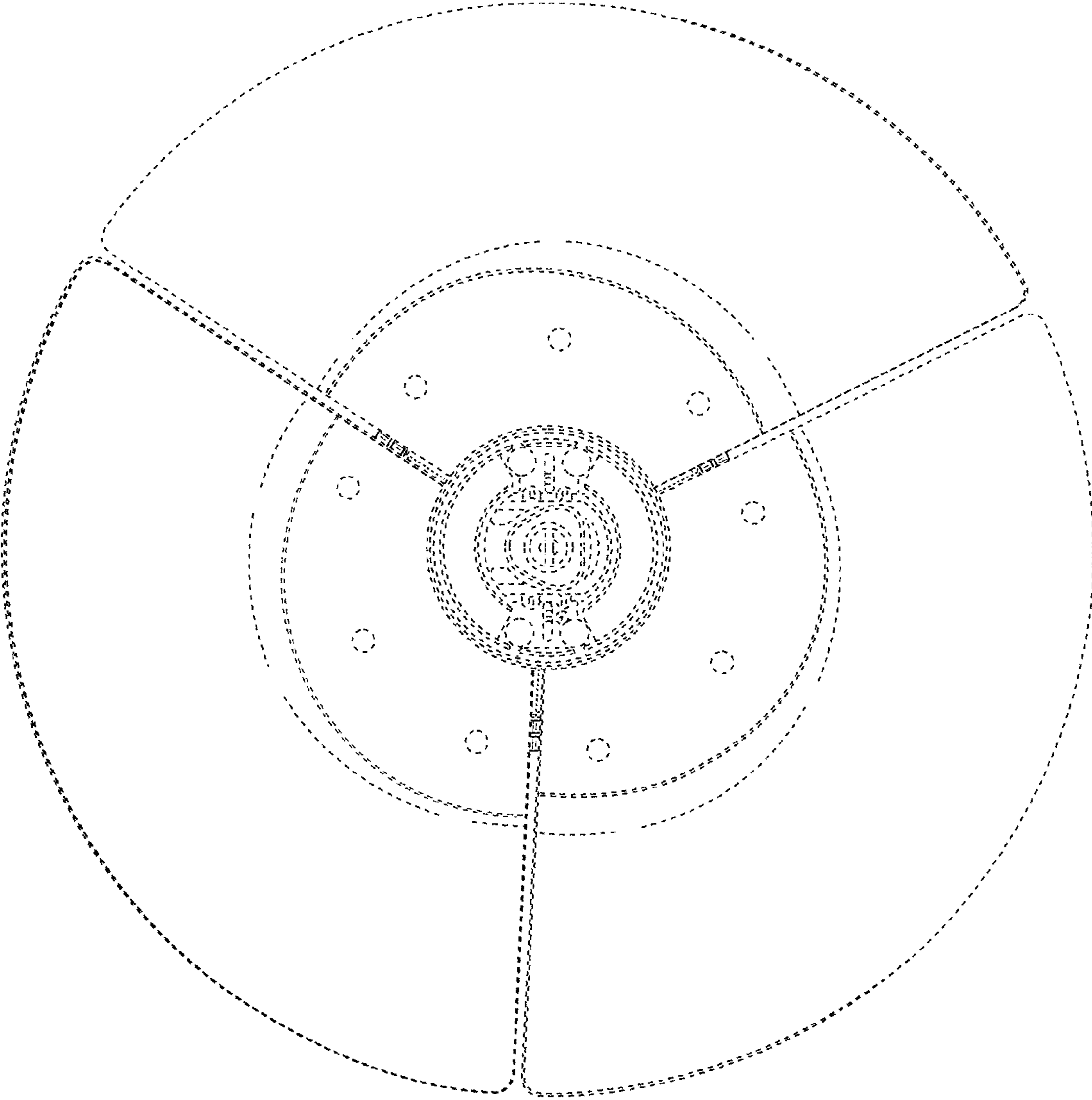


FIG. 5

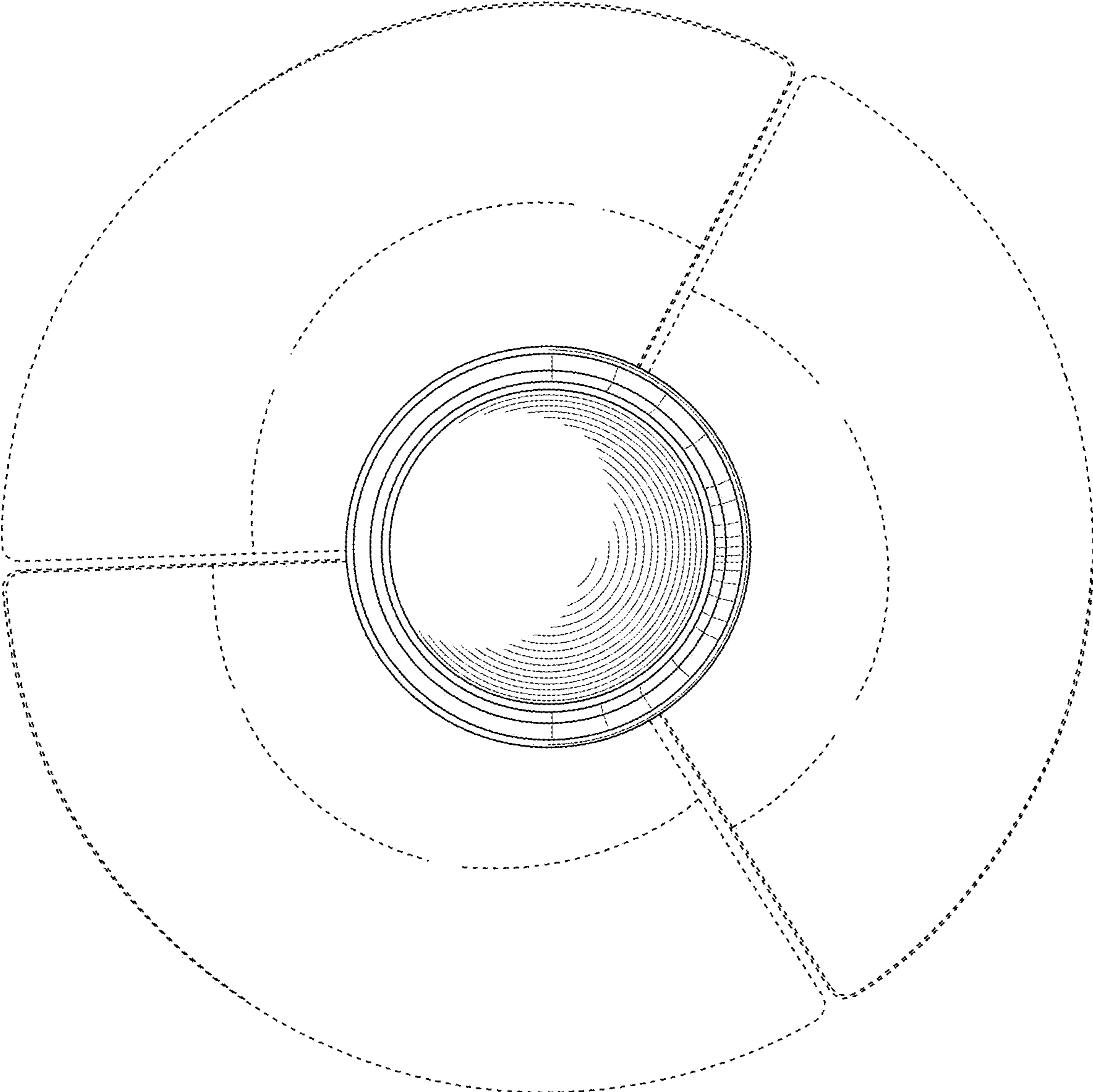


FIG. 6